

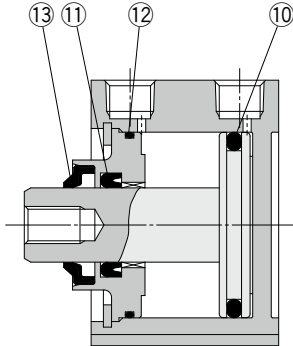
# CQ2-R/V Series

ø20, ø25, ø32, ø40  
ø50, ø63, ø80, ø100

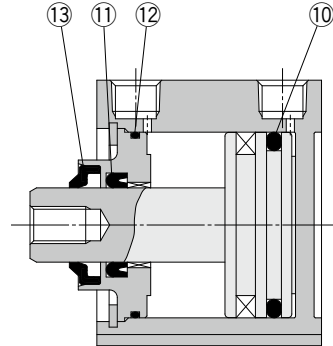
The Replacement Procedure is on p. 387

## Construction

### Standard



Without auto switch magnet



With auto switch magnet

\* The numbers correspond with those in the "Construction" of the CQ2 series in the **Web Catalog**.

### Seal Kit List

No.	Description	Material	Note
⑩	Piston seal	R: NBR	13 is a non-replaceable part, so it is not included in the seal kit.
		V: FKM	
⑪	Rod seal	R: NBR	
		V: FKM	
⑫	Tube gasket	R: NBR	
		V: FKM	
13	Rod scraper	R: NBR	
		V: FKM	

\* R: NBR seal (Nitrile rubber)  
V: FKM seal (Fluororubber)

### Replacement Parts: Seal Kit

Bore size (mm)	Part no.		Contents
	R: NBR	V: FKM	
20	CQ2B20R-PS	CQ2B20V-PS	Set of nos. ⑩, ⑪, ⑫
25	CQ2B25R-PS	CQ2B25V-PS	
32	CQ2B32R-PS	CQ2B32V-PS	
40	CQ2B40R-PS	CQ2B40V-PS	
50	CQ2B50R-PS	CQ2B50V-PS	
63	CQ2B63R-PS	CQ2B63V-PS	
80	CQ2B80R-PS	CQ2B80V-PS	
100	CQ2B100R-PS	CQ2B100V-PS	

\* The seal kit includes ⑩, ⑪, ⑫. Order the seal kit based on each bore size.

\* A rod scraper cannot be replaced independently. It is press-fitted, so replace it not only with a collar, but also with a collar assembly. Please contact SMC separately for how to order it.

\* Since the seal kit does not include a grease pack, it should be ordered separately.

**Grease pack part no.: GR-S-010 (10 g)**

Actuators

Rotary Actuators  
Air Grippers

Modular F.R.L.  
Pressure Control Equipment

Air Preparation  
Equipment

Industrial Filters

Replacement  
Procedure

Actuators

Rotary Actuators  
Air Grippers

Modular F.R.L.  
Pressure Control Equipment

Air Preparation Equipment  
Industrial Filters