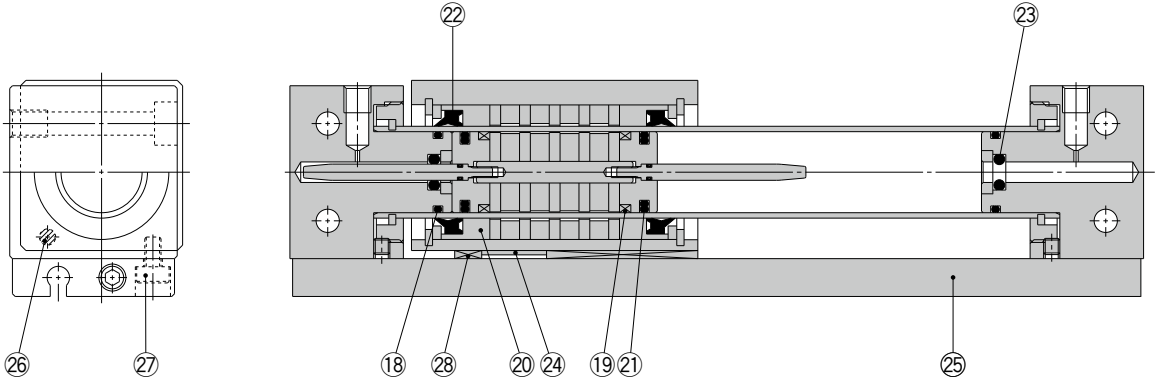


REAR Series $\phi 10, \phi 15$



Construction



- * The numbers correspond with those in the "Construction" of the REAR series in the **Web Catalog**.
- * The figure is for $\phi 15$. (The magnet for $\phi 10$: 3 pcs.)

Seal Kit List

No.	Description	Material	Note
18	Cylinder tube gasket	NBR	24 to 27 are non-replaceable parts, so they are not included in the seal kit.
19	Wear ring A	Special resin	
20	Wear ring B	Special resin	
21	Piston seal	NBR	
22	Scraper	NBR	
23	Cushion seal	NBR	
24	Magnetic shielding plate	Rolled steel plate	
25	Switch rail	Aluminum alloy	
26	Magnet	—	
27	Hexagon socket head cap screw	Chromium steel	
28	Wear ring C	Special resin	

Replacement Parts: Seal Kit

Bore size (mm)	Part no.	Contents
10	REAR10-PS	Set of nos. 18, 20, 21, 22, 23, 28 <small>Note 1) 2)</small>
15	REAR15-PS	Set of nos. 18, 19, 20, 21, 22, 23, 28 <small>Note 1)</small>

Note 1) It may be difficult to replace the cushion seal 23.

Note 2) For wear ring A, $\phi 10$, please consult with SMC.

* The seal kit includes a grease pack ($\phi 10$: 5 g and 10 g, $\phi 15$: 10 g).

Order with one of the following part numbers when only the grease pack is required.

For $\phi 10$ grease pack part no.: GR-F-005 (5 g) for external sliding part

GR-S-010 (10 g) for tube interior

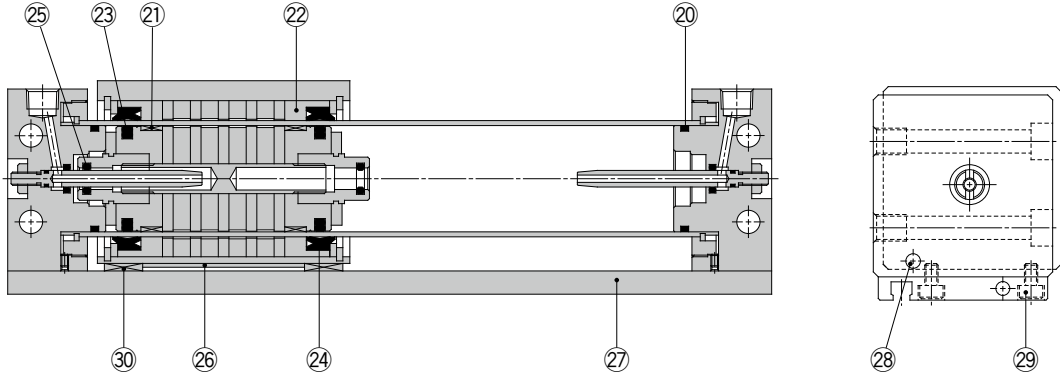
For $\phi 15$ grease pack part no.: GR-S-010 (10 g)

Actuators
 Rotary Actuators
 Air Grippers
 Modular F.R.L.
 Pressure Control Equipment
 Air Preparation Equipment
 Industrial Filters
 Replacement Procedure
 Actuators
 Rotary Actuators
 Air Grippers
 Modular F.R.L.
 Pressure Control Equipment
 Air Preparation Equipment
 Industrial Filters

REAR Series

 $\varnothing 20, \varnothing 25, \varnothing 32, \varnothing 40$ 

Construction



* The numbers correspond with those in the "Construction" of the REAR series in the **Web Catalog**.

Seal Kit List

No.	Description	Material	Note
20	Cylinder tube gasket	NBR	26 to 29 are non-replaceable parts, so they are not included in the seal kit.
21	Wear ring A	Special resin	
22	Wear ring B	Special resin	
23	Piston seal	NBR	
24	Scraper	NBR	
25	Cushion seal	NBR	
26	Magnetic shielding plate	Rolled steel plate	
27	Switch rail	Aluminum alloy	
28	Magnet	—	
29	Hexagon socket head cap screw	Chromium steel	
30	Wear ring C	Special resin	

Replacement Parts: Seal Kit

Bore size (mm)	Part no.	Contents
20	REAR20-PS	Set of nos. 20, 21, 22, 23, 24, 25, 30 (Note)
25	REAR25-PS	
32	REAR32-PS	
40	REAR40-PS	

Note) Cushion seal 25 may be difficult to be replaced.

* The seal kit includes 20 to 25, 30. Order the seal kit based on each bore size.

* The seal kit includes a grease pack (10 g).

Order with the following part number when only the grease pack is required.

Grease pack part no.: GR-S-010 (10 g)