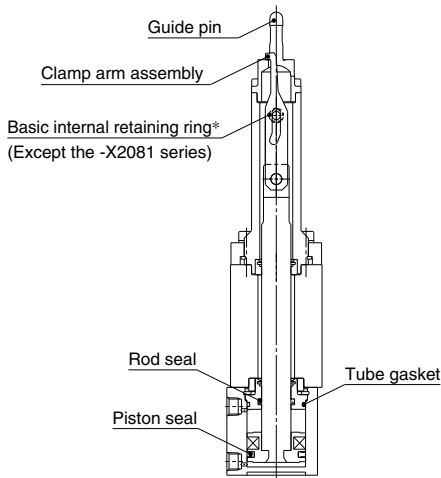


Replacement Parts



CKQG□32-100R□H-X2082

■ Guide Pin Part Nos.

CKQG32X - 075 R

Guide pin diameter

* Refer to Table 1 (Symbol 2) below.

Guide pin shape

R	Round type	D	Diamond type

■ Clamp Arm Assembly Part Nos.

CKQG32X - 08 B

Applicable hole diameter of workpiece

* Refer to Table 1 (Symbol 1) below.

Clamp arm assembly

* The clamp arm includes a basic internal retaining ring.

■ Seal Kit (For type without lock only)

Part no.	Contents
CQ2B32-PS	① Piston seal ② Rod seal ③ Tube gasket

* Seal kit includes ①, ②, ③. Since the seal kit does not include a grease pack, order the "Grease Pack" below separately.

* CLKQ cannot be disassembled and therefore no seal kit is available.

■ Grease Pack

Part no.	Contents
GR-S-010	Grease 10 g

* Please consult with SMC when replacing the actuating cylinders.

■ Shim (Option)

Refer to the **Web Catalog** for details about part numbers and dimensions.

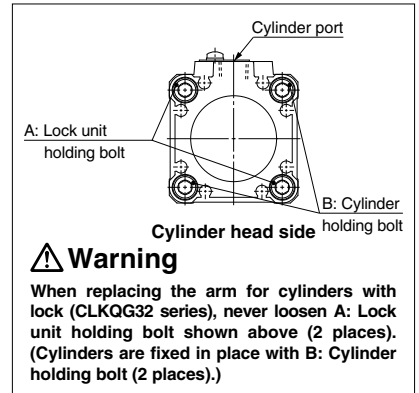


Table 1. Guide Pin Diameter/Applicable Hole Diameter of Workpiece

Symbol 1	Applicable hole diameter of workpiece	Symbol 2	Guide pin diameter	Shape	Symbol 1	Applicable hole diameter of workpiece	Symbol 2	Guide pin diameter	Shape	Symbol 1	Applicable hole diameter of workpiece	Symbol 2	Guide pin diameter	Shape
08	8	075	7.5	Round type	12	12	115	11.5	Round type Diamond type	16	16	155	15.5	Round type Diamond type
		076	7.6				116	11.6				156	15.6	
		077	7.7				117	11.7				157	15.7	
		078	7.8				118	11.8				158	15.8	
		079	7.9				119	11.9				159	15.9	
		080	8.0				120	12.0				160	16.0	
09	9	085	8.5	Round type	13	13	125	12.5	Round type Diamond type	18	18	175	17.5	Round type Diamond type
		086	8.6				126	12.6				176	17.6	
		087	8.7				127	12.7				177	17.7	
		088	8.8				128	12.8				178	17.8	
		089	8.9				129	12.9				179	17.9	
		090	9.0				130	13.0				180	18.0	
10	10	095	9.5	Round type Diamond type	14	14	135	13.5	Round type Diamond type	20	20	195	19.5	Round type Diamond type
		096	9.6				136	13.6				196	19.6	
		097	9.7				137	13.7				197	19.7	
		098	9.8				138	13.8				198	19.8	
		099	9.9				139	13.9				199	19.9	
		100	10.0				140	14.0				200	20.0	
11	11	105	10.5	Round type Diamond type	15	15	145	14.5	Round type Diamond type	20	20	200	20.0	Round type Diamond type
		106	10.6				146	14.6						
		107	10.7				147	14.7						
		108	10.8				148	14.8						
		109	10.9				149	14.9						
		110	11.0				150	15.0						