



Installation and Maintenance Manual
IP8000-0##-# / IP8100-0##-#
Electropneumatic Positioner



1 Safety Instructions

- This manual contains essential information for the protection of users and others from possible injury and/or equipment damage.
- Read this manual before using the product, to ensure correct handling, and read the manuals of related apparatus before use.
- Keep this manual in a safe place for future reference.
- These instructions indicate the level of potential hazard by label of "DANGER", "WARNING" or "CAUTION", followed by important safety information which must be carefully followed.
- To ensure safety of personnel and equipment the safety instructions in this manual and the product catalogue must be observed, along with other relevant safety practices.

DANGER	In extreme conditions, there is a possibility of serious injury or loss of life.
WARNING	If instructions are not followed there is a possibility of serious injury or loss of life.
CAUTION	If instructions are not followed there is a possibility of injury or equipment damage.

2 Specifications

Protect the unit from impact and dropping during transfer and when mounted. It may cause failure of the unit.

- Do not use the unit in places with high humidity & temperature. It may cause malfunctions.
- Do not use this positioner outside of the range of it's specifications as this can cause failure.

Item	Type	IP8000		IP8100	
		Lever type lever		Rotary type cam	
		Single action	Double action	Single action	Double action
Input current		4~20mADC (Standard)*1			
Input resistance		235 ± 15Ω			
Supply air pressure		0.14~0.7MPa			
Standard stroke		10 ~ 85mm (External lever allowable runout angle 10° ~ 30°)		60° ~ 100°*2	
Sensitivity		Within 0.1%F S		Within 0.5%F S	
Linearity		Within ± 1%F S		Within ± 2%F S	
Hysteresis		Within 0.75%F S		Within 1%F S	
Repeatability		Within ± 0.5%F S			
Thermal coefficient		Within 0.1%F S/C			
Output flow rate		80 l/min (ANR) or more (SUP=0.14MPa)*3			
Air consumption		Within 5 l/min (ANR) (SUP=0.14MPa)			
Ambient and using fluid temperature		-20°C ~ 80°C			
Air connection port		Rc1/4 (FEMALE)			
Electric wiring connection port		G1/2 (FEMALE)			
Material		Aluminium diecast for the body			
Mass		Approx. 2.6kg with terminal box (Approx. 2.4kg without terminal box)			
Classification of degree of protection		JISF8007 IP65 (conform to IEC pub.529)			

*1 : 1/2 split range is possible with the standard type (by adjusting the span)
 *2 : The stroke is adjustable in 0~60° and 0~100°.
 *3 : Standard air (JIS B0120): temp.20°C, absolute press. 760mmHg, ratio humidity 65%.

2.1 How to Order

IP 8 00 - 0 - - Q

TYPE	ACCESSORIES
0 LEVER TYPE	NIL NO ACCESSORIES (WITH STANDARD LEVER)
1 ROTARY TYPE	A WITH PILOT VALVE ADDED DIA. 0.7mm ORIFICE FOR RESTRICTING OUTPUT.
	B WITH PILOT VALVE ADDED DIA. 1.0mm ORIFICE FOR RESTRICTING OUTPUT.
	C FORK LEVER ASSEMBLY, TYPE M (P368010-24)
	D FORK LEVER ASSEMBLY, TYPE S (P368010-25)
	E WITH LEVER FEEDBACK UNIT FOR STROKE 35 ~ 100mm, (WITHOUT STANDARD LEVER)
	F WITH LEVER FEEDBACK UNIT FOR STROKE 50 ~ 140mm, (WITHOUT STANDARD LEVER)
	G WITH GAIN SUPPRESSION SPRING (A). (WITHOUT STANDARD GAIN SUPPRESSION SPRING)
	H WITH EXTERNAL SCALE PLATE UNIT
	J WITH OPENING CURRENT OUTPUT (4-20mA DC)

EMC CERTIFIED

PRESSURE GAUGE (SUP, OUT1)

0 None
1 0.2 MPa (R1/8)
2 0.3 MPa (R1/8)
3 1.0 MPa (R1/8)

CONSTRUCTION

0 NO TERMINAL BOX
1 WITH TERMINAL BOX

NOTE: WHEN MORE THAN 2 ACCESSORIES ARE REQUIRED THE SYMBOL SHOULD BE STATED IN ALPHABETICAL ORDER

3 Installation

WARNING

- Do not install unless the safety instructions have been read and understood.
- Since zero-point varies depending on the mounting position, the zero point should be adjusted after installation.
- Avoid hitting the product with metallic objects!
- Avoid using this product in non-explosive environments which can become explosive due to air leakage!

3.1 Environment

WARNING

- Do not use in an environment where the product is directly exposed to corrosive gases, chemicals, salt water, water or steam.
- Do not mount the product in a location where it will be subject to strong vibrations and/or shock.
- Do not mount the product in a location where it is exposed to radiant heat.
- Allow sufficient space for maintenance and adjustment around the product when mounted.

3.2 Piping

CAUTION

- Before piping make sure to clean away all chips, cutting oil, dust etc.
- When installing piping or fitting into a port, ensure that sealant material does not enter the port inside. When using seal tape, leave 1.5 to 2 threads exposed on the end of the pipe/fitting.

3.3 Lubrication

CAUTION

- The positioner has a fixed orifice and nozzle, which contain fine paths in them. Use filtered, dehydrated air and avoid the use of lubricators as this may cause malfunction of the positioner. Ensure that the air supply system is filtered to 5 micron.

3.4 Handling

CAUTION

- Avoid giving impact to the body and torque motor of the positioner, and giving excessive force to the armature because this leads to failure. Handle with care during transport and operation.
- If you leave the positioner at the operation site for a long time without using it, put the cover on it so that rain water does not enter the positioner. If the atmosphere is of high temperature or humidity, take measures to avoid condensation inside. The condensation control measures must be taken thoroughly for export shipment.
- Avoid setting the positioner near magnetic fields because the characteristics are effected.

4 Mounting

4.1 Type IP8000

4.1.1 Example of attaching to actuator

The type IP8000 positioner is compatible with Type IP6000 and IP600 in the attaching pitch. If you are using IP600 and IP6000 already, the bracket for these positioner can be used to attach IP8000 to the actuator.

Fig.1 Example of directly attaching to diaphragm valve
Directly attach using the screw hole at the side of the positioner and the screw hole at the yoke side of the diaphragm valve.

Fig.2 Example of attaching using the L-shape bracket
Attach by using screw hole at the side of the positioner and the screw hole at the front mount of diaphragm valve.

Fig.3 Example of attaching using front bracket
Attach by using screw hole at the back of the positioner and the screw hole at the front mount of diaphragm valve.

4 Mounting (Continued)

4.1.2 Connection with external feedback lever

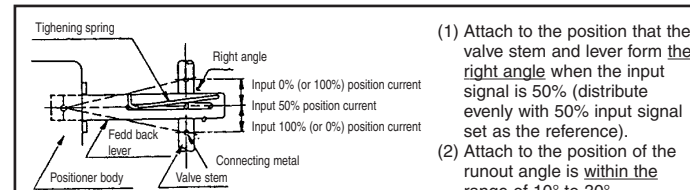


Fig.4 Attaching the feed back lever

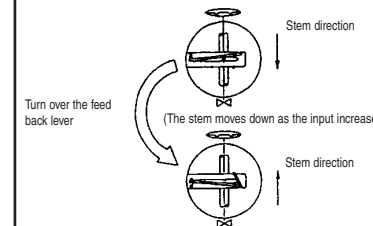


Fig.5 Use position for feedback lever

- Attach to the position that the valve stem and lever form the right angle when the input signal is 50% (distribute evenly with 50% input signal set as the reference).
- Attach to the position of the runout angle is within the range of 10° to 30°.
- To move the valve stem downward at the time of input current increase (normal actuation), attach to the position at which the tightening spring comes to the upper side of the connecting metal, as shown in Fig.5. To move the valve stem upward (reverse actuation), turn-over the feedback lever and attach to the position at which the tightening spring comes to the lower side of connecting metal.

4.2 Type IP8100

4.2.1 Example of attaching to actuator

The type IP8000 positioner is compatible with type IP610 and IP6100 in the attaching pitch. If you are using IP610 or IP6100 already, the bracket can be used to attach IP8000 to the actuator. If you change from IP6100 to IP8100 and select accessory H (with external scale plate), fork lever type fitting needs to be adjusted at lower position.

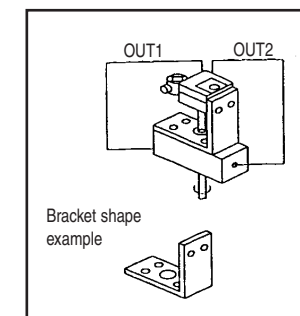


Fig.6 Example of attaching using the positioner side screw

Attaching using the screw hole of a side of the positioner and the screw hole at the actuator top.

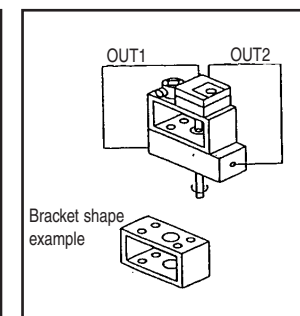


Fig.7 Example of attaching using the positioner back screw

Attaching using the screw hole at the positioner back and the screw hole at the actuator top.

4.2.2 Connection with feedback shaft

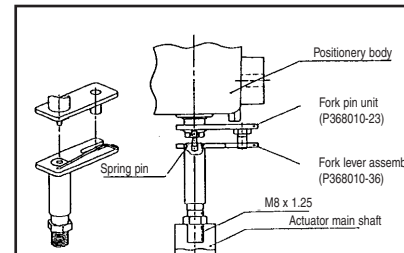


Fig.8 Attaching the feed back lever

- Attach to the position at which the positioner feed back shaft and the rotary actuator main shaft are almost concentric (range in which the spring pin of feed back shaft edge enters the hole of fork lever assembly shaft edge).
- If the seration joint type for IP610 is made in a special specification, it can be used for this connection.

CAUTION

- Ensure that the air supply system is filtered to 5 microns..

4 Mounting (Continued)

4.2.3 Cam attaching procedure

CAUTION

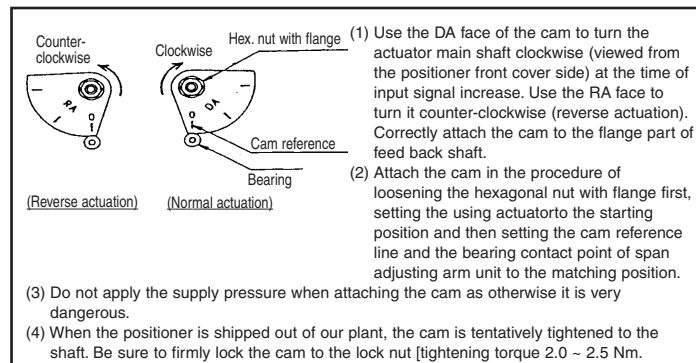


Fig.9 Example of cam attaching

5 Adjustment (Continued)

- Check for locking of the auto/manual changeover screw of pilot valve (fully tightened in the clockwise direction).
- Check for correct use of the cam face (normal or reverse) in Type IP8100 and that the flange nut is firmly locked. (Refer to Table 2.)
- Check that the wires are connected correctly with the (+), (-) and grounding terminals.

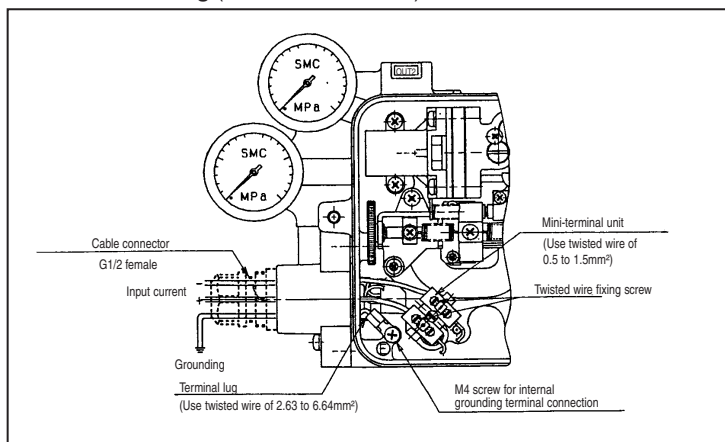
	Type IP8000	Type IP8100
Zero point adjustment		
Span adjustment		
Adjusting procedure	<ol style="list-style-type: none"> Set the input current to 0% (4mADC in the standard specification) and turn the zero adjusting knob by hand to set it to the actuator starting point. Then set the input current to 100% (20mADC in the standard specification) and check the actuator stroke. At this point depending on the span is too large or too small, loosen the lock screw and adjust the span as shown in the illustration above. Set the input current to 0% and conduct the zero point adjustment, as done in Step (1) again. Repeat the above operations until the predetermined stroke of the actuator is obtained to the input current. 	<ol style="list-style-type: none"> Set the input current to 0% (4mADC in the standard specification) and turn the zero adjusting knob by hand to set it to the actuator starting point. Then set the input current to 100% (20mADC in the standard specification) and check the actuator stroke. At this point depending on the span is too large or too small, loosen the lock screw and adjust the span as shown in the illustration above. Set the input current to 0% and conduct the zero point adjustment, as done in Step (1) again. Repeat the above operations until the predetermined stroke of the actuator is obtained to the input current.

- *1 When the span adjusting screw is turned clock-wise with a slothead(-) screwdriver, the span increases. When it is turned counter-clockwise, the span decreases.
- *2 When the span adjusting screw is turned clock-wise with a slothead(-) screwdriver, the span decreases. When it is turned counter-clockwise, the span increases.

CAUTION

- For this positioner, span and zero point adjustment of each actuator is necessary. Adjustment shall be done based on each actuator size.
- Keep in mind that span and zero point adjustment interfere in each other.
- Characteristics changes due to change of mounting position, ambient temperature and supply pressure.
- If it takes along time until the operation after initial adjustment, check and adjust this product.
- Sensitive adjustment is effective for only double acting actuator.
- Manual change function is effective for single acting actuator which is controlled by using OUT1.

5.1 Electrical wiring (without terminal box)



5 Adjustment (Continued)

Connect the (+) and (-) output terminal of positioner with the (+) and (-) input terminal of positioner respectively. The input port of the electrical connection is equipped with a cable connector G 1/2 female.

5.2 Electrical wiring (with terminal box)

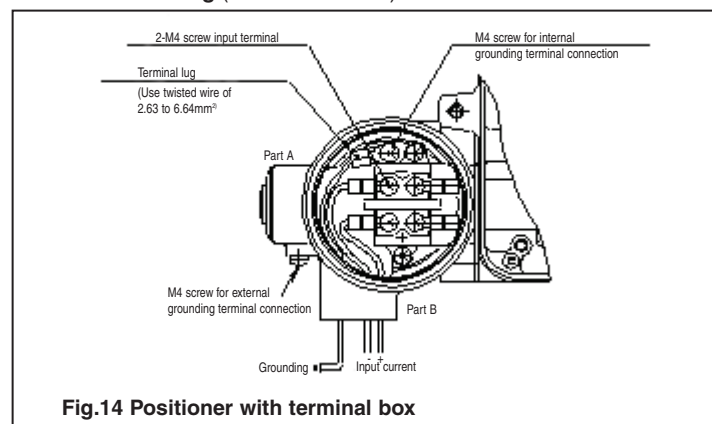


Fig.14 Positioner with terminal box

- Connect the (+) and (-) output terminals from the regulator with the (+) and (-) input terminals, respectively, of the positioner terminal box. The port diameter at the conduction wire drawing port is the size of G1/2 parallel screw for piping and the depth is for a 16.5mm female screw.
- Two drawing ports, marked as Part A and Part B in Fig.14, are provided. Use either one as fitted. (Part B is used in the figure).

6 Limitations of Use

WARNING

- After installation, repair and disassembly, connect compressed air and perform a proper function test and leak test. If bleed noise is louder than the initial state, or operation is abnormal, stop operation and check if installation is correct or not.

CAUTION

- Check if supply air is clean or not. Inspect compressed air cleaning system periodically so that dust, oil and humidity, which can cause malfunction and failure of the unit, do not enter the equipment
- If handled improperly, compressed air can be dangerous. Maintenance and replacement of unit parts should only be performed by trained and experienced personnel for instrumentation equipment, as well as following the product specifications.
- Check the positioner once a year. When an excessively worn diaphragm, O-ring or other packing of any unit that has been damaged is found, replace with new ones. Treatment at an early stage is especially important if the positioner is used in a place of severe environment, such as coastal areas.
- Before removing the positioner for maintenance, or replacing unit parts after installation, ensure the supply pressure is shut off and all residual air pressure is released from the piping.
- When the fixed orifice is clogged with carbon particles or other material, remove the pilot valve Auto/Manual change over screw (built in fixed aperture) and clean it by inserting a 0.3mm diameter wire into the aperture.
- When you disassemble the pilot valve, coat the O-ring of the sliding section with grease. (Use the TORAY SILICONE SH45 grease.)
- Check for air leaks from the compressed air piping. Air leaks could lower the performance characteristics of the positioner. Air is normally discharged from a bleed port, but this is necessary air consumption based on the construction of the positioner, and is not an abnormality if the air consumption is within the specified range.

7 Contact

AUSTRIA	(43) 2262 62280	NETHERLANDS	(31) 20 531 8888
BELGIUM	(32) 3 355 1464	NORWAY	(47) 67 12 90 20
CZECH REP.	(420) 541 424 611	POLAND	(48) 22 211 9600
DENMARK	(45) 7025 2900	PORTUGAL	(351) 21 471 1880
FINLAND	(358) 207 513513	SLOVAKIA	(421) 2 444 56725
FRANCE	(33) 1 6476 1000	SLOVENIA	(386) 73 885 412
GERMANY	(49) 6103 4020	SPAIN	(34) 945 184 100
GREECE	(30) 210 271 7265	SWEDEN	(46) 8 603 1200
HUNGARY	(36) 23 511 390	SWITZERLAND	(41) 52 396 3131
IRELAND	(353) 1 403 9000	UNITED KINGDOM	(44) 1908 563888
ITALY	(39) 02 92711		

SMC Corporation

URL <http://www.smcworld.com> (Global) <http://www.smceu.com> (Europe)
 Specifications are subject to change without prior notice from the manufacturer.
 The descriptions of products in this document may be used by other companies.
 © SMC Corporation All Rights Reserved.

Table 2

	IP8000 (Lever type)	IP8100 (Rotary type)
	Single action	Double action
Normal actuation	<p>Actuation: The stem moves in the arrow direction when the input current increases.</p>	<p>Actuation: The actuator main shaft turns clockwise when the input signal increases.</p>
Reverse actuation	<p>Actuation: The stem moves in the arrow direction when the input current increases. (Reverse actuation using the normal actuation drive unit).</p>	<p>Actuation: The actuator main shaft turns counter-clockwise when the input signal increases.</p>

5 Adjustment

CAUTION

Check the following prior to start the adjustment.

- Check that the pipeline is correctly connected with the pressure supply port and OUT1 and OUT2 ports.
- Check that the actuator and positioner are sturdily connected.
- Check that the span adjusting lever of internal feed back (Type IP8000) is attached to the correct (normal or reverse) position. (Refer to Tables 2.)