

Large Flow Lubricator AL800/900 Series

Individual lubrication Large flow type



AL800



AL900

Symbol



Standard Specifications

Model	AL800	AL900
Port size	1 1/4 1 1/2	2
Fluid	Air	
Proof pressure	1.5 MPa	
Max. operating pressure	1.0 MPa	
Min. operating flow (L/min (ANR)) ^(Note)	1 1/4 : 460 1 1/2 : 650	1800
Bowl capacity (cm ³)	380 (Capacity between levels 350)	
Recommended lubricant	Turbine oil Class 1 (With no additives), ISO VG32	
Ambient and fluid temperature	-5 to 60°C (No freezing)	
Bowl material	Polycarbonate	
Weight (kg)	1.56	1.78
Accessory (Standard)	Bowl guard	●

(Note) • Conditions: Inlet pressure = 0.5 MPa, Number of drop = 5 drops/min, Turbine oil Class 1 (with no additives) ISO VG32, Temperature = 20°C, Needle fully open
• Use consumption air flow for operating minimum flow.

How to Order

AL 80 0 - 12 - 23 - R

AL: Lubricator
80: Body size
0: Port size
12: Thread type
23: Semi-standard
R: Semi-standard (Flow direction: Right → Left)

Body size

80	1 1/2
90	2

Port size

12	1 1/4
14	1 1/2
20	2

Thread type

Nil	Rc
N	NPT
F	G

Semi-standard

1	1000 cm ³ tank
1S-1	1000 cm ³ tank with switch (Bottom limit ON)
1S-2	1000 cm ³ tank with switch (Bottom limit OFF)
2	Metal bowl
3	With drain cock
6	Nylon bowl (Including sight dome)
8	Metal bowl with level gauge

• When specifying more than one option, please list alphabetically.
(Example) 23-R

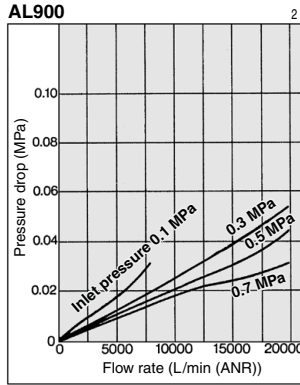
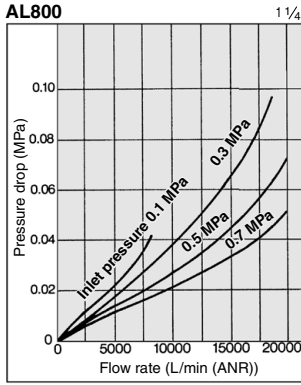
Semi-standard Combinations

◎ Available □ Not available

Accessory, Semi-standard	Symbol	Option							
		1	1S-1	1S-2	2	3	6	8	R
1000 cm ³ tank	-1	◎							◎
1000 cm ³ (With switch) Bottom limit ON	-1S-1		◎						◎
1000 cm ³ (With switch) Bottom limit OFF	-1S-2			◎					◎
Metal bowl	-2				◎				◎
Lubricator with drain cock	-3				◎		◎	◎	◎
Nylon bowl	-6					◎			◎
Metal bowl with level gauge	-8								◎
Flow direction: Right to left	-R	◎	◎	◎	◎	◎	◎	◎	◎

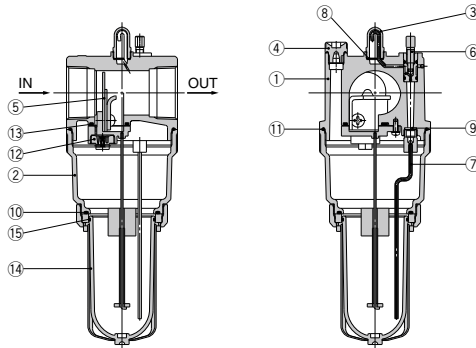
(Note) -1, -1S-1 and -1S-2 are with metal bowl with level gauge and with drain cock.

Flow Rate Characteristics (Representative Value)



Construction

AL800/900



Component Parts

No.	Description	Material		Note
		AL800	AL900	
1	Body	Aluminum die-casted	Aluminum casted	Platinum silver painted
2	Housing	Aluminum die-casted		Platinum silver painted

Replacement Parts

No.	Description	Material	Part no.		Qty.		
			AL800	AL900			
3	Sight dome	Standard	Polycarbonate	12316	12316	1	
		-6	Nylon	123156	123156		
4	Lubrication plug assembly	—		12314PA	12314PA	1	
5	Bumper assembly	Standard	—	123413A-1(12)	123528A	1	
				123413A-2(14)			
				123417A(12) <small>Note 1)</small>	123528-1A		
				123416A(14) <small>Note 1)</small>			
6	Needle stud assembly	—		123128PA	123128PA	1	
7	Siphon tube assembly	Standard	—	124232A	124232A	1	
				-8	123321-1A		123321-1A
				-1	123321-4A		123321-4A
8	Sight dome seal	Urethane rubber		12318	12318	1	
9	Siphon nut seal	Urethane rubber		123111	123111	1	
10	O-ring	NBR		113136	113136	1	
11	O-ring	NBR		KA00466	KA00466	1	
12	Bumper retainer assembly	-2, -8	—	123032A	—	1	
13	Bumper retainer seal	-2, -8	NBR	123058	—	1	
14	Case assembly <small>Note 2)</small>	Standard	—	C4SL	C4SL	1	
		-2		C4SL-2	C4SL-2		
		-3		C4SL-3	C4SL-3		
		-6		C4SL-6	C4SL-6		
		-8		C4LL-8	C4LL-8		
		-1		800147AP	800147AP		
		-1S-1		800147A-S1P	800147A-S1P		
		-1S-2		800147A-S2P	800147A-S2P		
15	O-ring	NBR		C4SFP-260S	C4SFP-260S	1	

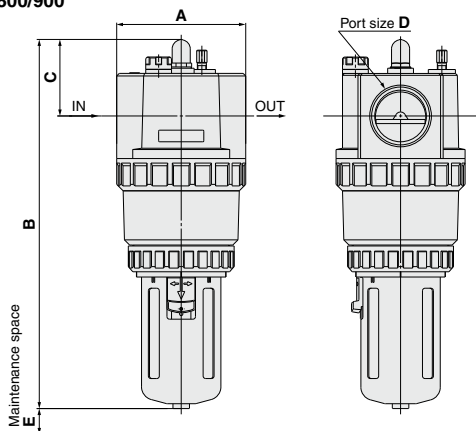
Note 1) Description: Bumper assembly

Note 2) O-ring ⑮ is attached.

AL800/900 Series

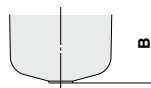
Dimensions

AL800/900

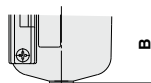


Semi-standard

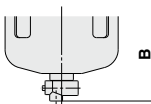
Metal bowl



Metal bowl with level gauge



With drain cock

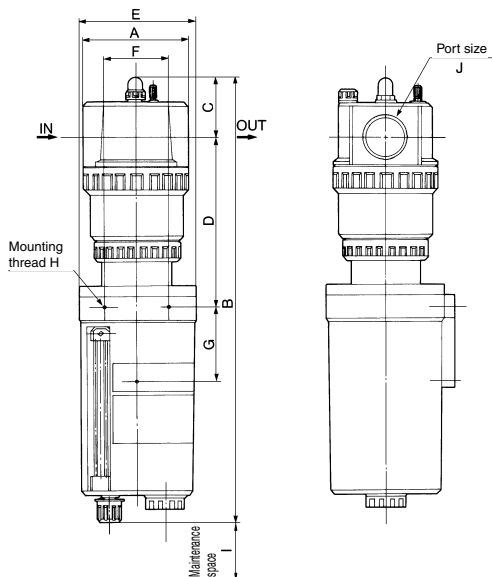


Semi-standard/Dimensions

Model	Port size D	A	B	C	E
AL800	1 1/4, 1 1/2	100	286	59	125
AL900	2	100	292	63	125

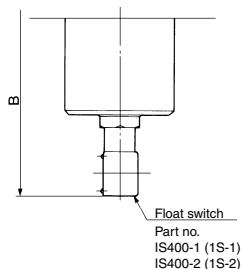
Model	B		
	Metal bowl	Metal bowl with level gauge	With drain cock
AL800	286	306	297
AL900	292	312	303

Semi-standard/1000 cm³ Tank



Float switch

Contact point capacity: AC: 15 VA, DC: 15 W
Contact point construction: 1a, 1b



Model	Port size J	A	B*	C	D	E	F	G	H	I
AL800-12 to 14-1	1 1/4, 1 1/2	100	431 (481)	59	166	ø117	60	73	3 x M5 x 0.8 x depth 6	230
AL900-20-1	2	100	437 (487)	63	162	ø117	60	73	3 x M5 x 0.8 x depth 6	230

* (): With float switch