

Bellows Pad (4.5-Stage)

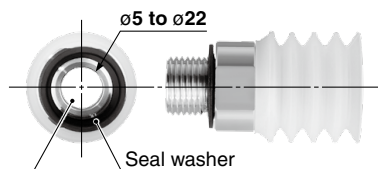
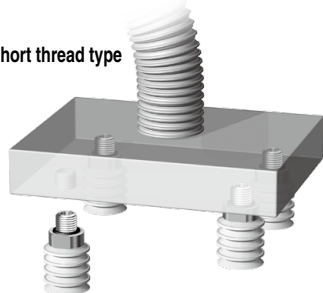
Symbol/Form

ZJ: Bellows type

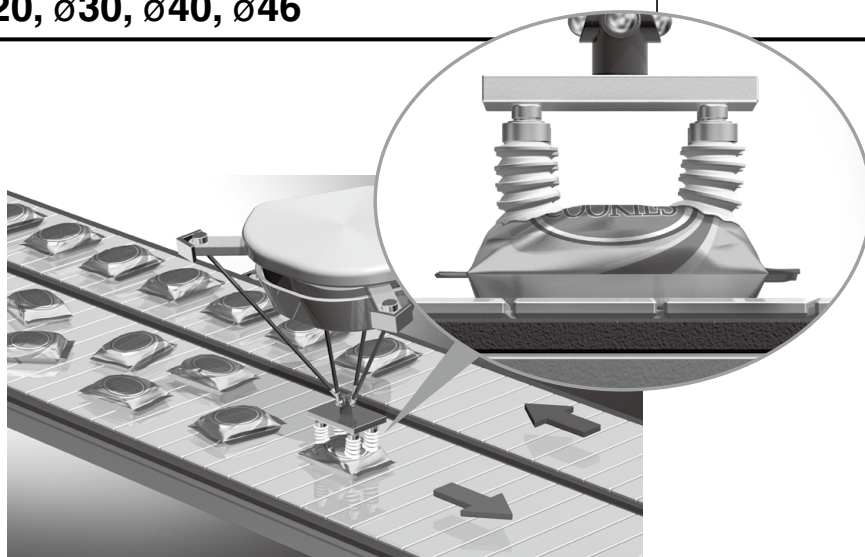
Pad diameter $\varnothing 15, \varnothing 20, \varnothing 30, \varnothing 40, \varnothing 46$

- For adsorbing workpieces moving at high speeds
- Follows various shapes of workpieces
- Pad material: Silicone rubber (Rubber hardness: A40, A50, A60)

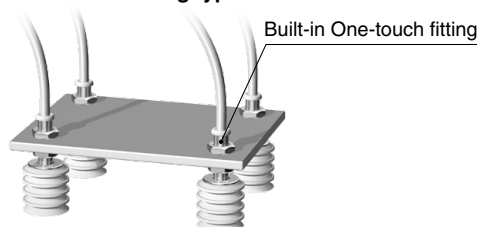
• Short thread type



- Large opening size (short thread type): $\varnothing 5$ to $\varnothing 22$
For vacuum blower pumps with high suction flow rates



• One-touch fitting type



How to Order

Pad unit **ZP2 - B15 ZJ S**

Symbol	Pad diameter
B15	$\varnothing 15^{*1}$
B20	$\varnothing 20^{*1}$
B30	$\varnothing 30^{*1}$
40	$\varnothing 40$
46	$\varnothing 46$

*1 Pad O.D.

Symbol	Form
ZJ	Bellows type (4.5-stage)

• Pad material

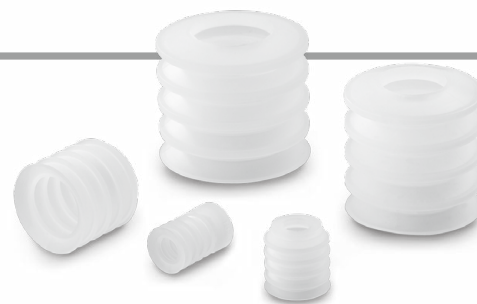
Symbol	Material	Applicable pad diameter					
		$\varnothing 15$	$\varnothing 20$	$\varnothing 30$	$\varnothing 40$	$\varnothing 46$	
N	NBR	—	—	—	●	●	
U	Urethane rubber	—	—	—	●	●	
F	FKM	—	—	—	●	●	
GN	Conductive NBR	—	—	—	●	●	
GS	Conductive silicone rubber (Black)	—	—	—	●	●	
S	Silicone rubber*1*2 (White)	Rubber hardness (Shore A: $\pm 5^\circ$)	40	●	●	—	—
			50	—	—	—	●
S6	Silicone rubber*1 High-hardness type (White)	60	●	●	●	—	

*1 Compliant with the FDA (USA Food and Drug Administration) regulation 21CFR§177.2600 for "Rubber articles intended for repeated use"

*2 Compliant with the standards for "Rubber apparatus (excluding baby drinking apparatus) and containers/packaging" (D3) (Partial revision: Ministry of Health, Labour, and Welfare Notification No. 595, 2012) in Section 3 "Apparatus and Containers/Packaging" of the Japan Food Sanitation Act, Article 18 "Specifications and Standards for Food and Food Additives, etc." (Ministry of Health and Welfare Notification No. 370, 1959).

Mounting Bracket Part Nos.

Adapter Assembly p. 281

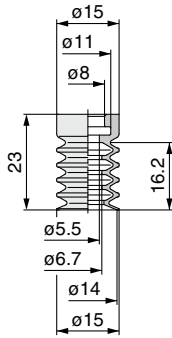


Model Selection
For Special Applications
Mark-free
For Film Adsorption
Multistage
Flat
Nozzle
Sponge
For Disk Adsorption
For Panel Holding
Ball Spine Buffer
Construction
Mounting Bracket Assembly
Precautions

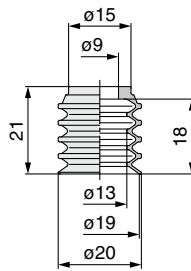
Bellows Pad (4.5-Stage) **ZP2 Series**

Dimensions: Pad Unit

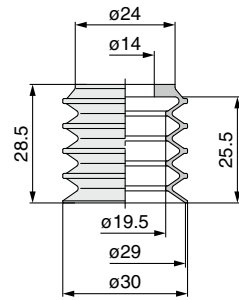
ZP2-B15ZJ □



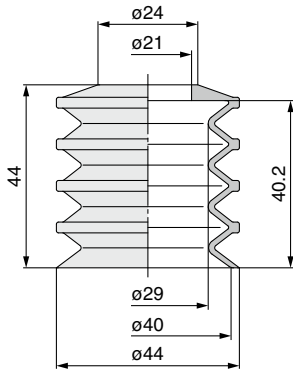
ZP2-B20ZJ □



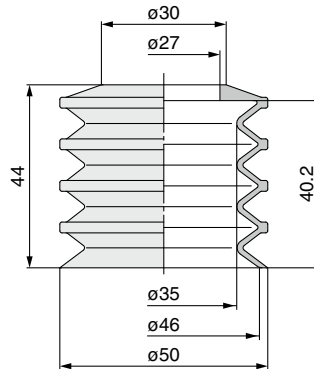
ZP2-B30ZJ □



ZP2-40ZJ □



ZP2-46ZJ □



Weight	[g]
ZP2-B15ZJ □	2.0
ZP2-B20ZJ □	2.0
ZP2-B30ZJ □	4.5
ZP2-40ZJN	16.0
ZP2-40ZJ □	15.0
ZP2-40ZJU	16.0
ZP2-40ZJF	25.0
ZP2-40ZJGN	16.0
ZP2-40ZJGS	16.0
ZP2-46ZJN	19.0
ZP2-46ZJ □	17.0
ZP2-46ZJU	19.0
ZP2-46ZJF	30.0
ZP2-46ZJGN	19.0
ZP2-46ZJGS	19.0

How to Order

Vertical vacuum inlet with adapter

ZP2 - T B15 ZJ S - A10 - 06



Pad diameter

Symbol	Pad diameter
B15	φ15*1
B20	φ20*1
B30	φ30*1
40	φ40
46	φ46

*1 Pad O.D.

Pad form

Symbol	Form
ZJ	Bellows type (4.5-stage)

Pad material

Symbol	Material	Applicable pad diameter						
		φ15	φ20	φ30	φ40	φ46		
N	NBR	—	—	—	●	●		
U	Urethane rubber	—	—	—	●	●		
F	FKM	—	—	—	●	●		
GN	Conductive NBR	—	—	—	●	●		
GS	Conductive silicone rubber (Black)	—	—	—	●	●		
S	Silicone rubber*1*2 (White)	Rubber hardness (Shore A: ±5°)	40	●	●	●	—	—
			50	—	—	—	●	●
S6	Silicone rubber*1*2 High-hardness type (White)	60	●	●	●	—	—	

*1 Compliant with the FDA (USA Food and Drug Administration) regulation 21CFR§177.2600 for "Rubber articles intended for repeated use"

*2 Compliant with the standards for "Rubber apparatus (excluding baby drinking apparatus) and containers/packaging" (D3) (Partial revision: Ministry of Health, Labour, and Welfare Notification No. 595, 2012) in Section 3 "Apparatus and Containers/Packaging" of the Japan Food Sanitation Act, Article 18 "Specifications and Standards for Food and Food Additives, etc." (Ministry of Health and Welfare Notification No. 370, 1959).

Vacuum inlet

Symbol	Vacuum inlet	Connection thread					
		A10	A16	A20	A30	AL12	AL14
Nil	Short thread	●	●	●	●	—	—
06	One-touch fitting(φ6)	—	—	—	—	●	●

Connection thread

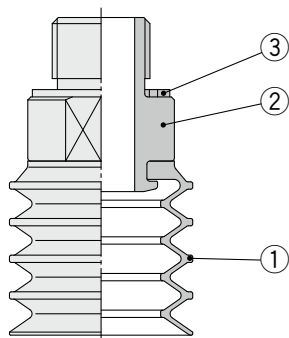
Type	Symbol	Size	φ15	φ20	φ30	φ40	φ46
Short thread	A10	M10 x 1	●	●	—	—	—
	A16	M16 x 1.5	—	—	●	—	—
	A20	M20 x 1.5	—	—	—	●	—
	A30	M30 x 1.5	—	—	—	—	●
One-touch fitting	AL12	M12 x 1	●	●	—	—	—
	AL14	M14 x 1	—	—	●	●	●

* The pad is shipped together but does not come assembled.

Bellows Pad (4.5-Stage) **ZP2 Series**

Component Parts

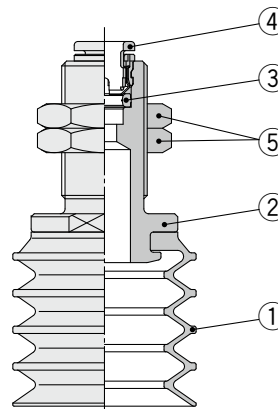
■ Short thread type (Pad with adapter)



Component Parts

No.	Description	Material (Surface treatment)
1	Pad	Refer to the pad material (page 276).
2	Adapter	Aluminum alloy (Anodized)
3	Seal washer	Structural steel/NBR

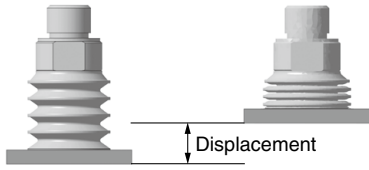
■ One-touch fitting type (Pad with adapter)



Component Parts

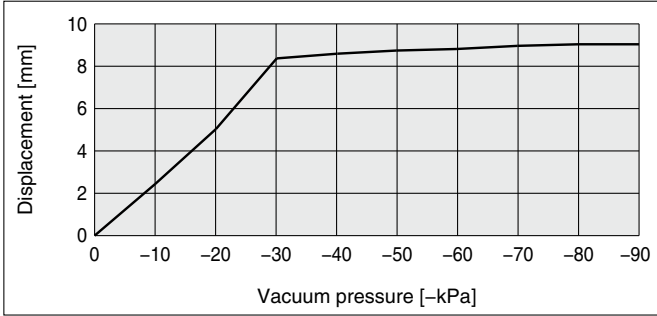
No.	Description	Material (Surface treatment)
1	Pad	Refer to the pad material (page 276).
2	Adapter	Aluminum alloy (Anodized)
3	Seal	NBR
4	Cassette	—
5	Nut	Steel (Zinc chromated)

Pad Displacement to Vacuum Pressure (Pad material: Silicone rubber)

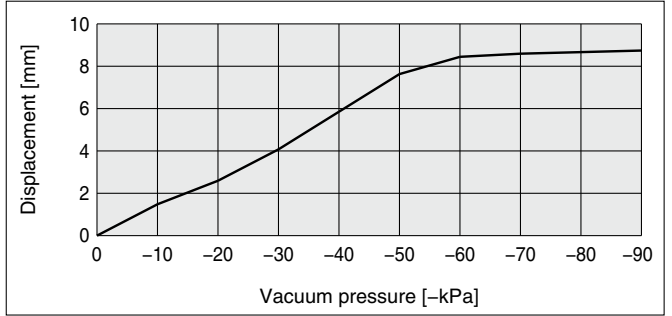


The data shown below are not guaranteed but actual measured (initial value). These values depend on the operating environment, workpiece weight and transfer method, so they cannot be guaranteed by SMC. Thorough research and confirmation are necessary before use.

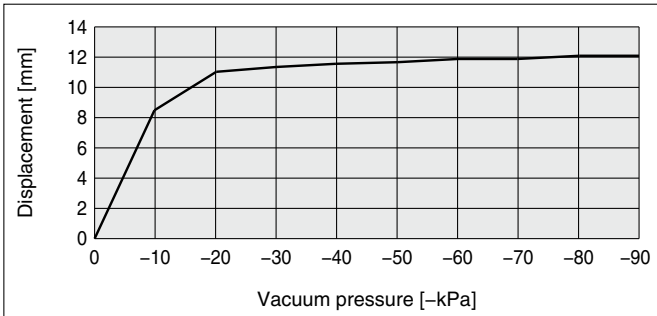
ZP2-B15ZJS



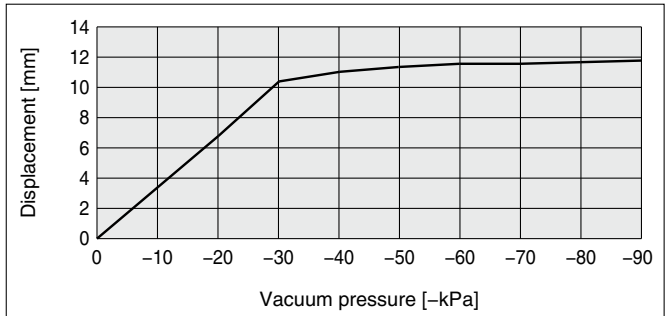
ZP2-B15ZJS6



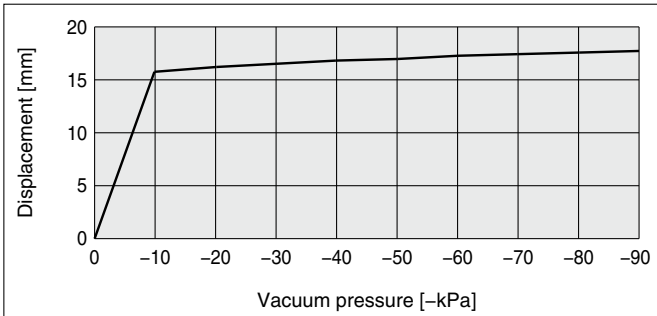
ZP2-B20ZJS



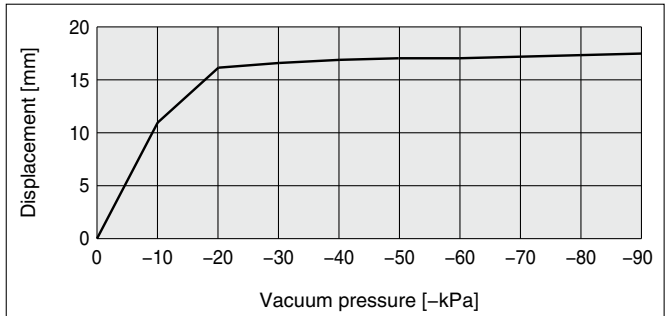
ZP2-B20ZJS6



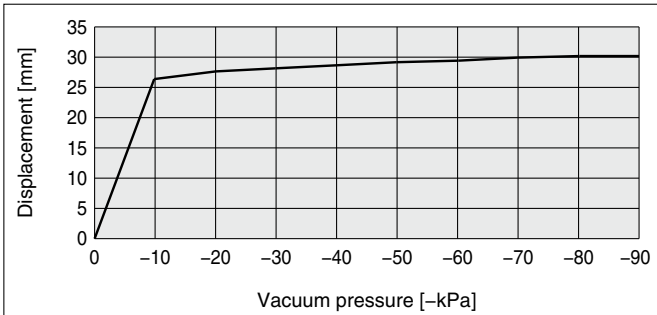
ZP2-B30ZJS



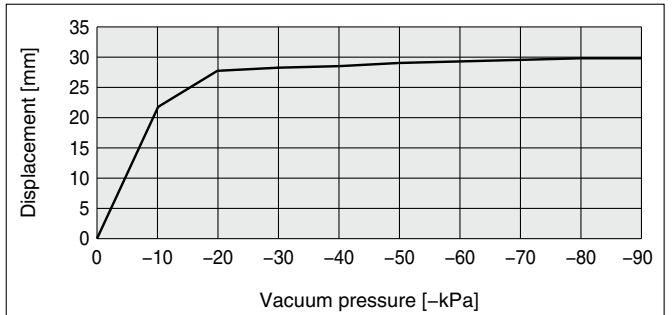
ZP2-B30ZJS6



ZP2-40ZJS



ZP2-46ZJS



Model Selection

For Special Applications

Mark-free

For Film Adsorption

Multistage

Flat

Nozzle

Sponge

For Disk Adsorption

For Panel Holding

Ball Spine Buffer

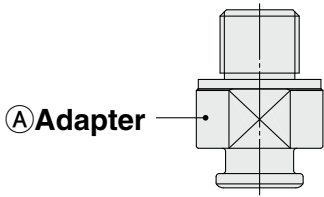
Construction

Mounting Bracket Assembly

Precautions

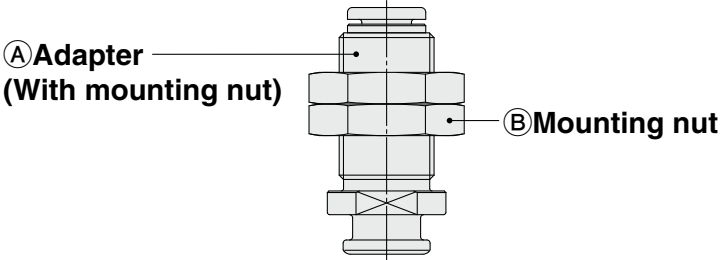
Bellows Pad (4.5-Stage) *ZP2 Series* Mounting Bracket Assembly

Adapter Assembly

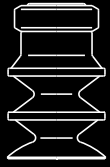
Product part no.	<p style="text-align: center;">ZP2 - T ① ZJ □ - ②</p> <p style="text-align: center;"> Pad diameter Bellows type Pad material Connection thread (Male thread) </p>
Component parts	 <p>Ⓐ Adapter</p>

		Symbol	① Pad diameter symbol						
			B15	B20	B30	40	46		
Ⓐ Adapter	② Connection thread Male thread (Short thread)	M10 x 1	A10	ZP2A-Z31-1P	ZP2A-Z31-2P	—			
		M16 x 1.5	A16	—		ZP2A-Z31-3P	—		
		M20 x 1.5	A20	—			ZP2A-Z31-4P	—	
		M30 x 1.5	A30	—				ZP2A-Z31-5P	

Adapter Assembly

Product part no.	<p style="text-align: center;">ZP2 - T ① ZJ □ - ② ③</p> <p style="text-align: center;"> Pad diameter Bellows type Pad material Vacuum inlet (One-touch fitting) Connection thread (Male thread) </p>
Component parts	 <p>Ⓐ Adapter (With mounting nut)</p> <p>Ⓑ Mounting nut</p>

		Symbol			Symbol	① Pad diameter symbol					
						B15	B20	B30	40	46	
Ⓐ Adapter	② Connection thread Male thread	M12 x 1	AL12	③ Vacuum inlet One-touch fitting	ø6	06	ZP2A-Z32-1	ZP2A-Z32-2	—		
		M14 x 1	AL14				—		ZP2A-Z32-3	ZP2A-Z32-4	ZP2A-Z32-5
Ⓑ Mounting nut (Single unit)				M12 x 1		ZPNA-M12C		—			
				M14 x 1		—		ZPNA-M14			



Bellows Pad (2.5/3.5-Stage)

Symbol/Form

Pad diameter $\varnothing 6, \varnothing 9, \varnothing 10, \varnothing 14, \varnothing 15, \varnothing 16, \varnothing 25, \varnothing 30$

J: Bellows type

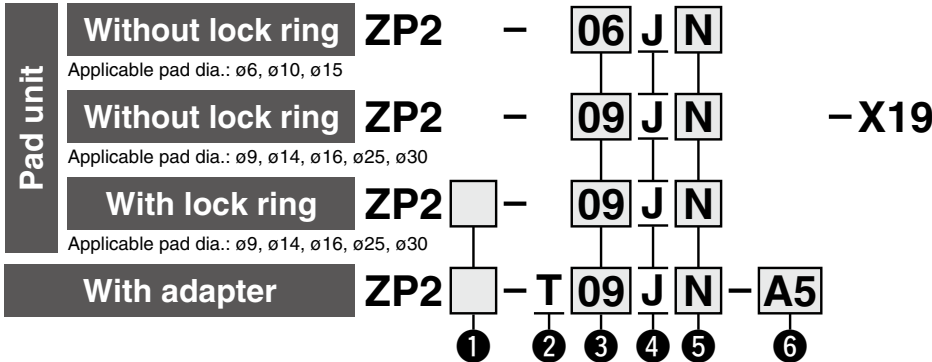
- For use where there is no space for a buffer (spring type)
- For workpieces with inclined adsorption surfaces



Mounting Bracket Part Nos.

Adapter Assembly p. 283 to 285

How to Order



1 Adapter (Lock ring) material

Symbol	Material
Nil	Brass
S	Stainless steel (Stainless steel 304)

2 Vacuum inlet direction

Symbol	Vacuum inlet direction
T	Vertical

3 Pad diameter

Symbol	Pad diameter	Symbol	Pad diameter
06	$\varnothing 6$	B15	$\varnothing 15$
09	$\varnothing 9$	16	$\varnothing 16$
B10	$\varnothing 10$	B25	$\varnothing 25$
14	$\varnothing 14$	B30	$\varnothing 30$

4 Pad form

Symbol	Pad form
J	Multistage bellows

5 Pad material

Symbol	Material
N	NBR
S	Silicone rubber*1, *2
U	Urethane rubber
F	FKM
GN	Conductive NBR
GS	Conductive silicone rubber

*1 Compliant with the FDA (USA Food and Drug Administration) regulation 21CFR§177.2600 for "Rubber articles intended for repeated use"

*2 Compliant with the standards for "Rubber apparatus (excluding baby drinking apparatus) and containers/packaging" (D3) (Partial revision: Ministry of Health, Labour, and Welfare Notification No. 595, 2012) in Section 3 "Apparatus and Containers/Packaging" of the Japan Food Sanitation Act, Article 18 "Specifications and Standards for Food and Food Additives, etc." (Ministry of Health and Welfare Notification No. 370, 1959).

6 Connection thread

Symbol	Thread size	Type	Mounting	Vacuum inlet	Applicable pad dia.		
					$\varnothing 6, \varnothing 10, \varnothing 15$	$\varnothing 9, \varnothing 14, \varnothing 16$	$\varnothing 25, \varnothing 30$
A5	M5 x 0.8	Male thread	Direct mounting	Use the connection thread.	●	—	—
AS5					—	●	—
A6	—				—	—	
AS6	M6 x 1		Plate mounting	M3 x 0.5	—	●	●
AG01					—	●	●
A5	M5 x 0.8				Female thread	Direct mounting	Use the connection thread.
A6	M6 x 1	—	●	●			
A8	M8 x 1	—	—	—			
B4	M4 x 0.7	Direct mounting	Use the connection thread.	●		—	—
B5	M5 x 0.8			●		●	●
B6	M6 x 1			—		●	●
B8	M8 x 1.25			—	—	—	
BG01	G1/8			—	●	●	
B01	Rc1/8			—	●	●	
N01*3	NPT1/8	—	—	—			
T01*3	NPTF1/8	—	—	—			

*3 Not compatible with stainless steel materials

Lock ring unit

Part no.	Applicable pad dia.
ZP□L1	$\varnothing 9, \varnothing 14, \varnothing 16$
ZP□L2	$\varnothing 25, \varnothing 30$

□: Nil/Brass S/Stainless steel

Model Selection

For Special Applications

Mark-free

For Film Adsorption

Multistage

Flat

Nozzle

Sponge

For Disk Adsorption

For Panel Holding

Ball Spine Buffer

Construction

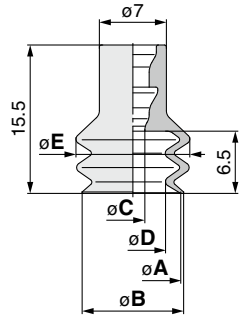
Mounting Bracket Assembly

Precautions

Bellows Pad (2.5/3.5-Stage) Mounting Bracket Assembly **ZP2 Series**

Dimensions/Models

Single unit $\phi 6, \phi 10, \phi 15$



ZP2 - \square 06 J \square N

① ②

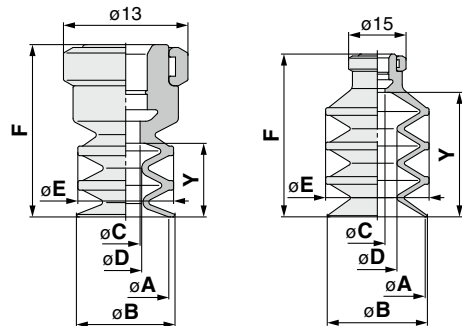
Model				A	B	C	D	E
① Pad diameter	Type	③ Material*1						
ZP2	06	J	N S U F GN GS	6	6.9	2.8	2.8	7.9
	B10			10	10.6	2.5	6.8	11.9
	B15			15	15.7		11.8	16.9

*1 N: NBR, S: Silicone rubber, U: Urethane rubber, F: FKM, GN: Conductive NBR, GS: Conductive silicone rubber

Single unit $\phi 9, \phi 14, \phi 16, \phi 25, \phi 30$

Pad diameter: $\phi 9, \phi 14, \phi 16$

Pad diameter: $\phi 25, \phi 30$



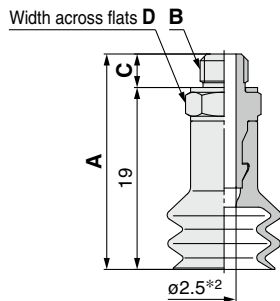
ZP2 \square - \square 09 J \square N

① ② ③

Model				A	B	C	D	E	F	Y	
① Lock ring material	② Pad diameter	Type	③ Material*1								
ZP2	Nil S	09	J	N S U F GN GS	9	10.3	3	3.3	10	18	7.7
		14			14	15.3		4.7	15	24	15
		16			16	17.4		7.2	18		
		B25			25	26.2	4	10.2	27	42.5	32.5
		B30			30	32.9		13.8	32	49	38

*1 N: NBR, S: Silicone rubber, U: Urethane rubber, F: FKM, GN: Conductive NBR, GS: Conductive silicone rubber

Direct mounting with adapter (Male thread) $\phi 6, \phi 10, \phi 15$



ZP2 \square - T \square 06 J \square N - \square A5

① ② ③ ④

① Adapter material

② Connection thread

Nil	Brass
S	Stainless steel (Stainless steel 304)

A5	M5 x 0.8
A6	M6 x 1

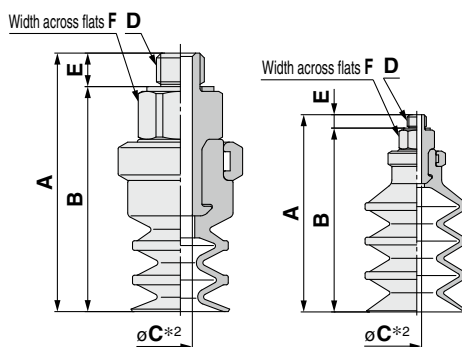
Model						A	B	C	D	
① Adapter material	Vacuum inlet direction	② Pad diameter	Type	③ Material*1	④ Connection thread					
ZP2	Nil S	T	06 B10 B15	J	N S U F GN GS	A5	22.5	M5 x 0.8	3.5	7
						A6	23.5	M6 x 1	4.5	8

*1 N: NBR, S: Silicone rubber, U: Urethane rubber, F: FKM, GN: Conductive NBR, GS: Conductive silicone rubber
*2 Indicates the minimum hole size of the adapter or vacuum pad

Direct mounting with adapter (Male thread) $\phi 9, \phi 14, \phi 16, \phi 25, \phi 30$

Pad diameter: $\phi 9, \phi 14, \phi 16$

Pad diameter: $\phi 25, \phi 30$



ZP2 \square - T \square 09 J \square N - \square AS5

① ② ③ ④

① Adapter material

② Connection thread

Nil	Brass
S	Stainless steel (Stainless steel 304)

AS5	M5 x 0.8
AS6	M6 x 1
AG01	G1/8

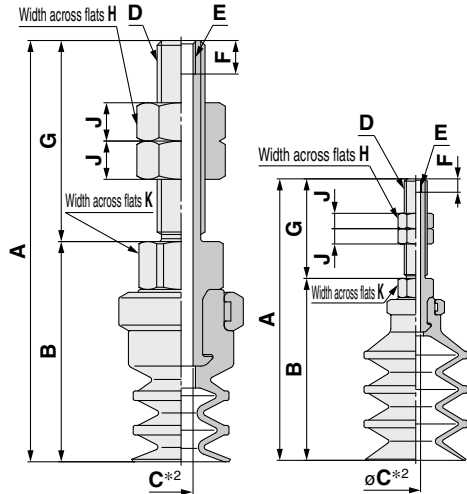
Model						A	B	C*2	D	E	F	
① Adapter material	Vacuum inlet direction	② Pad diameter	Type	③ Material*1	④ Connection thread							
ZP2	Nil S	T	09 14 16 B25 B30 09 14 16 B25 B30 09 14 16 B25 B30	J	N S U F GN GS	AS5	27	23.5	2.5	M5 x 0.8	3.5	8
							33	29.5				
							51.5	48				
							58	54.5				
							28	23.5				
						AS6	34	29.5	2.5	M6 x 1	4.5	8
							52.5	48				
							59	54.5				
							36	30.5				
							42	36.5				
						AG01	60.5	55	2.5	G1/8	5.5	17
							67	61.5				
							4					

*1 N: NBR, S: Silicone rubber, U: Urethane rubber, F: FKM, GN: Conductive NBR, GS: Conductive silicone rubber
*2 Indicates the minimum hole size of the adapter or vacuum pad

Dimensions/Models

Plate mounting with adapter (Male thread) $\phi 9, \phi 14, \phi 16, \phi 25, \phi 30$

Pad diameter: $\phi 9, \phi 14, \phi 16$ Pad diameter: $\phi 25, \phi 30$



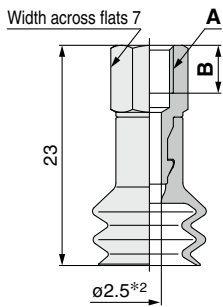
ZP2 1 - T 09 J N - A5 4

1 Adapter material		2 Connection thread	
Nil	Brass	A5	M5 x 0.8
S	Stainless steel (Stainless steel 304)	A6	M6 x 1
		A8	M8 x 1

Model				A	B	C*2	D	E	F	G	H	J	K				
1 Adapter material	Vacuum inlet direction	2 Pad diameter	3 Type	4 Connection thread													
ZP2	Nil	T	J	N S U F GN GS	A5	2.5	M5 x 0.8	M3 x 0.5	3.5	21	8	4	8				
														09	44	23	
														14	50	29	
					16									49	23		
					09									49	23		
					14									55	29		
	16	55	29														
	S	T	J		J	A6	2.5	M6 x 1	M3 x 0.5	3.5	26	8	4	8			
															B25	73.5	47.5
															B30	80	54
															B25	68.5	52.5
															B30	68.5	52.5
B30				75											59		
S	T	J	J	A8	4	M8 x 1	M5 x 0.8	5	16	12	4	12					
													B25	68.5	52.5		
													B30	75	59		

*1 N: NBR, S: Silicone rubber, U: Urethane rubber, F: FKM, GN: Conductive NBR, GS: Conductive silicone rubber
*2 Indicates the minimum hole size of the adapter or vacuum pad

Direct mounting with adapter (Female thread) $\phi 6, \phi 10, \phi 15$



ZP2 1 - T 06 J N - B4 4

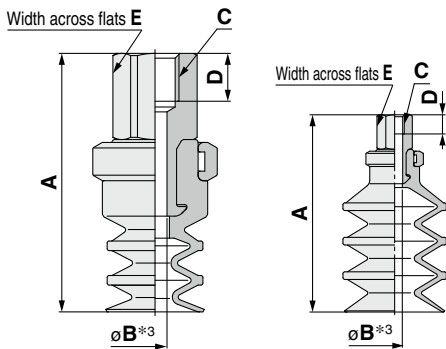
1 Adapter material		2 Connection thread	
Nil	Brass	B4	M4 x 0.7
S	Stainless steel (Stainless steel 304)	B5	M5 x 0.8

Model						A	B								
1 Adapter material	Vacuum inlet direction	2 Pad diameter	Type	3 Material*1	4 Connection thread										
ZP2	Nil	T	J	N S U F GN GS	B4	M4 x 0.7	4								
								06							
								B10							
					S			T	J	J	A6	2.5	M5 x 0.8	5	
															B15
															B5

*1 N: NBR, S: Silicone rubber, U: Urethane rubber, F: FKM, GN: Conductive NBR, GS: Conductive silicone rubber
*2 Indicates the minimum hole size of the adapter or vacuum pad

Direct mounting with adapter (Female thread) $\phi 9, \phi 14, \phi 16, \phi 25, \phi 30$

Pad diameter: $\phi 9, \phi 14, \phi 16$ Pad diameter: $\phi 25, \phi 30$



ZP2 1 - T 09 J N - B5 4

1 Adapter material		2 Connection thread	
Nil	Brass	B5	M5 x 0.8
S	Stainless steel (Stainless steel 304)	B6	M6 x 1
		BG01	G1/8

*1 Not compatible with stainless steel materials

Model						A	B*3	C	D	E													
1 Adapter material	Vacuum inlet direction	2 Pad diameter	Type	3 Material*2	4 Connection thread																		
ZP2	Nil	T	J	N S U F GN GS	B5	2.5	M5 x 0.8	5	8	8													
											09	27											
											14	33											
											16	33											
											B25	51.5											
											B30	58											
						S	T	J	J	A6	2.5	M6 x 1	6	8	8								
																09	27						
																14	33						
																16	33						
																B25	51.5						
																B30	58						
					S	T	J	J	A8	3.5	M8 x 1.25	8	12	12									
															09	64							
															14	33							
															16	33							
															B25	57.5							
															B30	64							
					S	T	J	J	GN	2.5	G1/8	7.4	14	14									
															09	33							
															14	33							
															16	33							
															B25	57.5							
															B30	64							
S	T	J	J	GS						2.5	Rc1/8	—	12										
														09	33								
														14	39								
										S				T	J	J	GS	3.5	NPT1/8	—	12		
																						16	39
																						B25	57.5
B30	64																						

*2 N: NBR, S: Silicone rubber, U: Urethane rubber, F: FKM, GN: Conductive NBR, GS: Conductive silicone rubber
*3 Indicates the minimum hole size of the adapter or vacuum pad *4 Not compatible with stainless steel materials

Model Selection

For Special Applications

Mark-free

For Film Adsorption

Multistage

Flat

Nozzle

Sponge

For Disk Adsorption

For Panel Holding

Ball Spine Buffer

Construction

Mounting Bracket Assembly

Precautions

Bellows Pad (2.5/3.5-Stage) *ZP2 Series* Mounting Bracket Assembly

Adapter Assembly

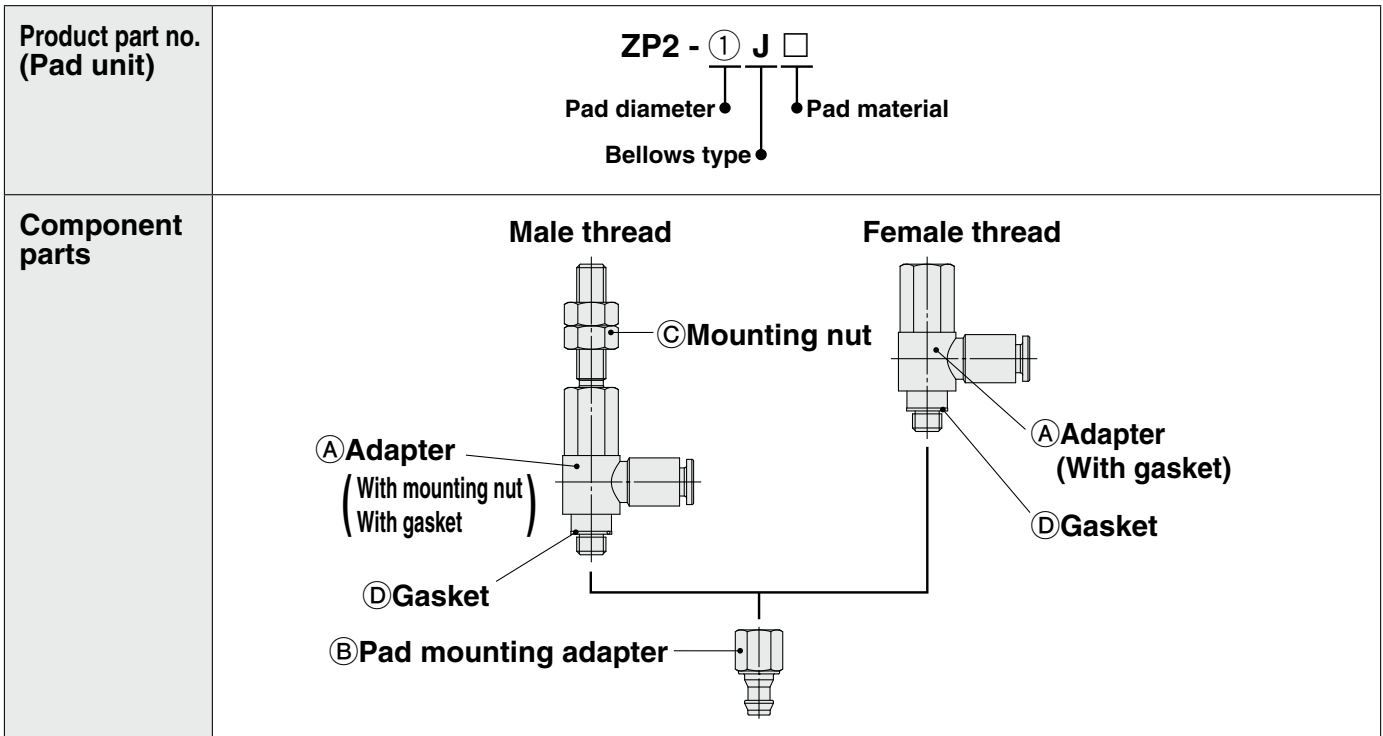
Product part no.	<p style="text-align: center;">ZP2 □ - T ① J □ - □</p> <p style="text-align: center;">Adapter material (Brass/Stainless steel) Pad diameter Pad form Pad material Connection thread (Male/Female thread)</p>		
Component parts	<p>③ Gasket Male thread</p> <p>① Adapter (With gasket)</p> <p style="text-align: center;">ZP□T1-A□ MS-5AU-6-X112 ZP□T(2, 3)-AS□</p> <p>① Adapter (With O-ring)</p> <p style="text-align: center;">ZP□T(2, 3)-AG□</p>	<p>Male thread</p> <p>② Mounting nut</p> <p>① Adapter (With mounting nut)</p> <p style="text-align: center;">ZP□T(2, 3)-A□</p>	<p>Female thread</p> <p>① Adapter</p> <p style="text-align: center;">ZP□T(1, 2, 3)-B□/ N01/T01</p>

						① Pad diameter symbol							
						06	B10	B15	09	14	16	B25	B30
① Adapter	Connection thread	Male thread	Adapter material	Brass	M5 x 0.8	Male thread	Use the connection thread.	ZPT1-A5		ZPT2-AS5		ZPT3-AS5	
				Stainless steel				MS-5AU-6-X112		ZPST2-AS5		ZPST3-AS5	
			M6 x 1		ZP□T1-A6*1			ZP□T2-AS6*1		ZP□T3-AS6*1			
			G1/8		—			ZP□T2-AG01*1		ZP□T3-AG01*1			
			M5 x 0.8		—			ZP□T2-A5*1		—			
			M6 x 1		—			ZP□T2-A6*1		ZP□T3-A6*1			
			M8 x 1		—			—		ZP□T3-A8*1			
	Female thread	Vacuum inlet	Female thread	Adapter material	M5 x 0.8	Female thread	Use the connection thread.	ZP□T1-B4*1		—		—	
								ZP□T1-B5*1		ZP□T2-B5*1		ZP□T3-B5*1	
								—		ZP□T2-B6*1		ZP□T3-B6*1	
								—		—		ZP□T3-B8*1	
								—		ZP□T2-B01*1		ZP□T3-B01*1	
								—		ZPT2-N01		ZPT3-N01	
								—		ZPT2-T01		ZPT3-T01	
② Mounting nut (Single unit)	Adapter Material	Brass	M5 x 0.8	M5 x 0.8	Female thread	Use the connection thread.	—		NTJ-015C		—		
							M6 x 1		—		SNJ-006C		
							M8 x 1		—		RB08J		
							M5 x 0.8		—		ZPNA-M6		
							M6 x 1		—		ZPNA-M6		
③ Gasket (Single unit)	Adapter Material	Brass	For M5 x 0.8	10 pcs.*2	ZP-5G2								
				100 pcs.*2	M-5G2								
			For M6 x 1	10 pcs.*2	ZP-6G2								
				100 pcs.*2	M-6G								
		Stainless steel	For M5 x 0.8	10 pcs.*2	M-5G3								
			For M6 x 1	1 pc.*2	M-6G-X34								

*1 The adapter material symbol goes into the blank "□." (Nil: Brass, S: Stainless steel 304)

*2 The gasket (single unit) sales unit is shown.

Adapter Assembly: With One-touch Fitting

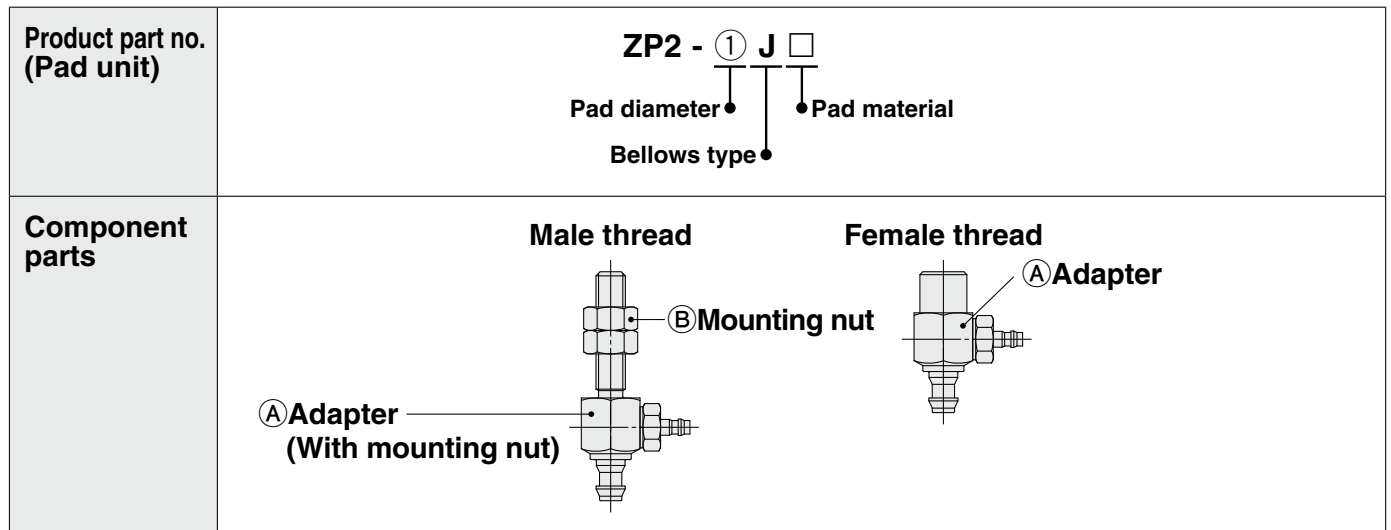


		① Pad diameter symbol							
		06	B10	B15	09	14	16	B25	B30
① Adapter	Vacuum inlet	Connection thread	Male thread	M5 x 0.8	ZPRS-04-A5		ZPRS-04-A5		
				M6 x 1	ZPRS-04-A6		ZPRS-04-A6		ZPRL-04-A6
				M8 x 1	—		—		ZPRL-04-A8
			Female thread	M4 x 0.7	ZPRS-04-B4		—		—
				M5 x 0.8	ZPRS-04-B5		ZPRS-04-B5		ZPRL-04-B5
				M6 x 1	—		ZPRS-04-B6		ZPRL-04-B6
	06	Connection thread	Male thread	M5 x 0.8	ZPRS-06-A5		ZPRS-06-A5		—
				M6 x 1	ZPRS-06-A6		ZPRS-06-A6		ZPRL-06-A6
				M8 x 1	—		—		ZPRL-06-A8
			Female thread	M4 x 0.7	ZPRS-06-B4		—		—
				M5 x 0.8	ZPRS-06-B5		ZPRS-06-B5		ZPRL-06-B5
				M6 x 1	—		ZPRS-06-B6		ZPRL-06-B6
	08	Connection thread	Male thread	M6 x 1	—		—		ZPRL-08-A6
				M8 x 1	—		—		ZPRL-08-A8
				M5 x 0.8	—		—		ZPRL-08-B5
			Female thread	M6 x 1	—		—		ZPRL-08-B6
				M8 x 1.25	—		—		ZPRL-08-B8
				M5 x 0.8	—		—		ZPRL-08-B5
	② Pad mounting adapter			ZPT1-B5		ZPT2-B5		ZPT3-B8	
	③ Mounting nut (Single unit)	M5 x 0.8	NTJ-015C		NTJ-015C		—		
		M6 x 1	SNJ-006C		SNJ-006C		SNJ-006C		
		M8 x 1	—		—		RB08J		
	④ Gasket (Single unit)	10 pcs.*1	ZP-5G2		ZP-5G2		ZP-8G2		
		100 pcs.*1	M-5G2		M-5G2		—		

*1 The gasket (single unit) sales unit is shown.

Bellows Pad (2.5/3.5-Stage)
Mounting Bracket Assembly **ZP2 Series**

Adapter Assembly: With Barb Fitting



			① Pad diameter symbol								
			06	B10	B15	09	14	16	B25	B30	
① Adapter	Vacuum inlet	For nylon tubing	Male thread	M5 x 0.8	ZPY1-N4-A5		ZPY2-N4-A5				
				M6 x 1	ZPY1-N4-A6		ZPY2-N4-A6		ZPY3-N4-A6		
				M8 x 1	—		—		ZPY3-N4-A8		
			Female thread	M4 x 0.7	ZPY1-N4-B4		—		—		
				M5 x 0.8	ZPY1-N4-B5		ZPY2-N4-B5		ZPY3-N4-B5		
				M6 x 1	—		ZPY2-N4-B6		ZPY3-N4-B6		
		Connection thread	Male thread	ø4	M8 x 1.25	—		—		ZPY3-N4-B8	
					Female thread	M5 x 0.8	ZPY1-N6-A5		ZPY2-N6-A5		—
						M6 x 1	ZPY1-N6-A6		ZPY2-N6-A6		ZPY3-N6-A6
			M8 x 1			—		—		ZPY3-N6-A8	
			ø6		Male thread	M4 x 0.7	ZPY1-N6-B4		—		—
						M5 x 0.8	ZPY1-N6-B5		ZPY2-N6-B5		ZPY3-N6-B5
	M6 x 1	—				ZPY2-N6-B6		ZPY3-N6-B6			
	Female thread	M8 x 1.25		—		—		ZPY3-N6-B8			
		Male thread		ø4	M5 x 0.8	ZPY1-U4-A5		ZPY2-U4-A5		—	
					M6 x 1	ZPY1-U4-A6		ZPY2-U4-A6		ZPY3-U4-A6	
	M8 x 1		—			—		ZPY3-U4-A8			
	Female thread	M4 x 0.7	ZPY1-U4-B4			—		—			
		M5 x 0.8	ZPY1-U4-B5			ZPY2-U4-B5		ZPY3-U4-B5			
		M6 x 1	—			ZPY2-U4-B6		ZPY3-U4-B6			
	ø6	Male thread	M8 x 1.25	—		—		ZPY3-U4-B8			
			M5 x 0.8	ZPY1-U6-A5		ZPY2-U6-A5		—			
			M6 x 1	ZPY1-U6-A6		ZPY2-U6-A6		ZPY3-U6-A6			
		Female thread	M8 x 1	—		—		ZPY3-U6-A8			
M4 x 0.7			ZPY1-U6-B4		—		—				
M5 x 0.8			ZPY1-U6-B5		ZPY2-U6-B5		ZPY3-U6-B5				
ø6	Male thread	M6 x 1	—		ZPY2-U6-B6		ZPY3-U6-B6				
		M8 x 1.25	—		—		ZPY3-U6-B8				
		Female thread	M5 x 0.8	NTJ-015C		NTJ-015C		—			
M6 x 1	SNJ-006C			SNJ-006C		SNJ-006C					
M8 x 1	—			—		RB08J					