

# Motorless Type

# Electric Actuators

RoHS

Your motor and driver can be used together!  
Manufacturers of compatible motors: 18 companies

Mitsubishi Electric Corporation	YASKAWA Electric Corporation
SANYO DENKI CO., LTD.	OMRON Corporation
Panasonic Corporation	FANUC CORPORATION
NIDEC SANKYO CORPORATION	KEYENCE CORPORATION
FUJI ELECTRIC CO., LTD.	MinebeaMitsumi Inc.
Shinano Kenshi Co., Ltd.	ORIENTAL MOTOR Co., Ltd.
FASTECH Co., Ltd.	Rockwell Automation, Inc. (Allen-Bradley)
Beckhoff Automation GmbH	Siemens AG
Delta Electronics, Inc.	ANCA Motion



## High Rigidity and High Precision Slider Type

### LEKFS Series

p. 7

**New** A max. stroke of up to 1200 mm is now supported (size 40). Intermediate strokes are now available in 50 mm increments.

#### Ball Screw Drive/LEKFS Series

Size	Stroke
25	50 to 800
32	50 to 1000
40	150 to 1200



## Slider Type LEF Series

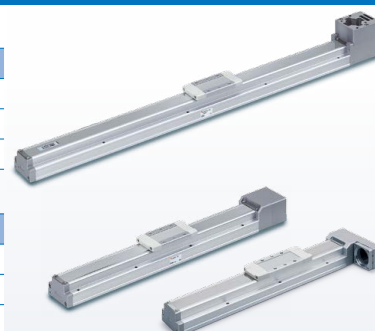
p. 37, 64

#### Ball Screw Drive/LEFS Series

Size	Stroke
25	50 to 800
32	50 to 1000
40	150 to 1200

#### Belt Drive/LEFB Series

Size	Stroke
25	300 to 2000
32	300 to 2500
40	300 to 3000



## High Rigidity Slider Type LEJ Series

p. 93

#### Ball Screw Drive/LEJS Series

Size	Stroke
40	200 to 1200
63	300 to 1500
<b>New</b> 100	200 to 1500

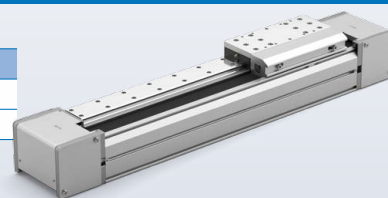


## **New** Large Slider Type LET-X11 Series

p. 125

#### Belt Drive/LET-X11 Series

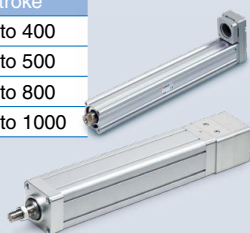
Size	Stroke
80	300 to 3000
100	300 to 3000



## Rod Type LEY Series

p. 147

Size	Stroke
25	30 to 400
32	30 to 500
63	50 to 800
<b>New</b> 100	100 to 1000



## Guide Rod Type LEYG Series

p. 169

Size	Stroke
25	30 to 300
32	



## **New** Slide Table/High Precision Type LESYH Series

p. 199

Size	Stroke
16	50, 100
25	50, 100, 150



**LE**   Series



CAT.ES100-111E

**Compatible Motors by Manufacturer (100 W/200 W/400 W/750 W equivalent)**

Manufacturer	Series*1	Battery-less absolute encoder	Pulse input	Communication		
				CC-Link IE Field	CC-Link IE TSN	SSCNET III/H
Mitsubishi Electric Corporation	MELSERVO JN		●			
	MELSERVO J4		●	●		●
	MELSERVO J5	●	●		●	
YASKAWA Electric Corporation	Σ-V		●			
	Σ-7	●	●			
	Σ-X	●	●			
SANYO DENKI CO., LTD.	SANMOTION R		●			
OMRON Corporation	OMNUC G5		●			
	OMNUC 1S	●				
Panasonic Corporation	MINAS A5/A6		●			
FANUC CORPORATION	βis(-B)		●			
NIDEC SANKYO CORPORATION	S-FLAG		●			
KEYENCE CORPORATION	SV		●			
	SV2		●			
FUJI ELECTRIC CO., LTD.	ALPHA7		●			
MinebeaMitsumi Inc.	Hybrid stepping motors		●			
Shinano Kenshi Co., Ltd.	CSB-BZ		●			
ORIENTAL MOTOR Co., Ltd.	αSTEP AR		●			
	αSTEP AZ	●	●			
FASTECH Co., Ltd.	Ezi-SERVO		●			
Rockwell Automation, Inc. (Allen-Bradley)	Kinetix MP/VP/TL					
Beckhoff Automation GmbH	AM 30/31/80/81					
Siemens AG	SIMOTICS S-1FK7					
Delta Electronics, Inc.	ASDA-A2		●			
ANCA Motion	AMD2000		●			

\*1 Make sure that the mounting dimensions and motor specifications are appropriate. Select a motor after checking the specifications of each model. Additionally, when considering a motor other than one of those shown above, select a motor within the range of the specifications after checking the mounting dimensions.

**Series Variations**

Series	Size							Page
	16	25	32	40	63	80	100	
High Rigidity and High Precision Slider Type Ball Screw Drive <i>LEKFS Series</i>		100 W	200 W	400 W				7
Slider Type Ball Screw Drive <i>LEFS Series</i>		100 W	200 W	400 W				37
Slider Type Belt Drive <i>LEFB Series</i>		100 W	200 W	400 W				64
High Rigidity Slider Type Ball Screw Drive <i>LEJS Series</i>				100 W	200 W		750 W	93
Large Slider Type <i>LET-X11 Series</i>						400 W	750 W	125
Rod Type <i>LEY Series</i>		100 W	200 W		400 W		750 W	147
Guide Rod Type <i>LEYG Series</i>		100 W	200 W					169
Slide Table High Precision Type <i>LESYH Series</i>	100 W	200 W						199

The values in ● show the equivalent motor capacity.



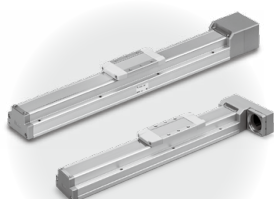
# CONTENTS

## Motorless Type Electric Actuators



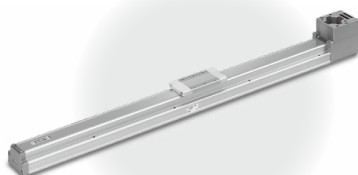
### ◎ High Rigidity and High Precision Slider Type Ball Screw Drive *LEKFS Series*

Model Selection .....	p. 7
How to Order .....	p. 16
Specifications .....	p. 17
Dimensions.....	p. 18
Motor Mounting.....	p. 24
Motor Mounting Parts.....	p. 26
Auto Switch Mounting .....	p. 29
Specific Product Precautions .....	p. 33



### ◎ Slider Type Ball Screw Drive *LEFS Series*

Model Selection .....	p. 37
How to Order .....	p. 45
Specifications .....	p. 46
Dimensions.....	p. 47
Motor Mounting.....	p. 59
Motor Mounting Parts.....	p. 61



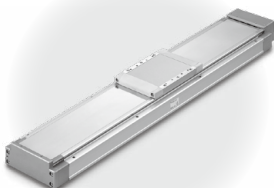
### ◎ Slider Type Belt Drive *LEFB Series*

Model Selection .....	p. 64
How to Order .....	p. 69
Specifications .....	p. 70
Dimensions.....	p. 71
Motor Mounting.....	p. 83
Motor Mounting Parts.....	p. 84

Auto Switch Mounting .....	p. 86
Specific Product Precautions .....	p. 90

### ◎ High Rigidity Slider Type Ball Screw Drive *LEJS Series*

Model Selection .....	p. 93
How to Order .....	p. 105
Specifications .....	p. 106
Dimensions.....	p. 107



### ◎ *LEJS-M* (Built-in Intermediate Supports Type)

Model Selection .....	p. 93
How to Order .....	p. 109
Specifications .....	p. 109
Dimensions.....	p. 110



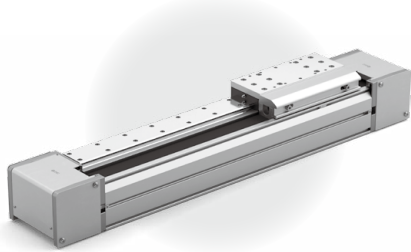
### ◎ High Rigidity Slider Type Ball Screw Drive *LEJS100-X400*

How to Order .....	p. 111
Specifications .....	p. 111
Dimensions.....	p. 112
Side Supports/Auto Switch Mounting .....	p. 117

Motor Mounting.....	p. 113
Motor Mounting Parts.....	p. 114
Auto Switch Mounting .....	p. 116
Specific Product Precautions .....	p. 121



## Motorless Type Electric Actuators



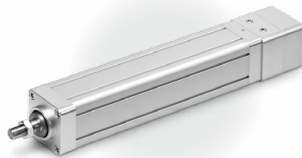
### ◎ Large Slider Type Belt Drive *LET-X11 Series*

Model Selection .....	p. 125
How to Order .....	p. 133
Specifications .....	p. 134
Dimensions.....	p. 135
Motor Mounting.....	p. 136
Motor Mounting Parts.....	p. 137
Side Supports .....	p. 139
Auto Switch Mounting .....	p. 140
Specific Product Precautions .....	p. 144



### ◎ Rod Type *LEY Series* Size **25, 32, 63**

Model Selection .....	p. 147
How to Order .....	p. 153
Specifications .....	p. 154
Dimensions.....	p. 156



### ◎ Rod Type *LEY Series* Size **100**

Model Selection .....	p. 147
How to Order .....	p. 163
Specifications .....	p. 164
Dimensions.....	p. 165
Options.....	p. 167
Specific Product Precautions .....	p. 196



### ◎ Guide Rod Type *LEYG Series*

Model Selection .....	p. 169
How to Order .....	p. 173
Specifications .....	p. 174
Dimensions.....	p. 175

Motor Mounting.....	p. 177
Motor Mounting Parts.....	p. 184
Auto Switch Mounting .....	p. 188
Specific Product Precautions .....	p. 193



### ◎ Slide Table/High Precision Type *LESYH Series*

Model Selection .....	p. 199
How to Order .....	p. 205
Specifications .....	p. 206
Dimensions.....	p. 207
Motor Mounting.....	p. 209
Motor Mounting Parts.....	p. 211
Auto Switch Mounting .....	p. 214
Specific Product Precautions .....	p. 218

Movement Direction Relative to the Motor Rotation Direction .....	p. 221
---	--------

Model Selection

LEKFS

LEFS

LEFB

LEJS

LET-X11

LEY

LEYG

LESYH

Motor Mounting



# High Rigidity and High Precision Slider Type

## Ball Screw Drive *LEKFS Series*

p. 7



Model Selection

LEKFS

LEFS

LEFB

LEJS

LET-X11

LEY

LEYG

LESYH

Motor Mounting

# Model Selection



LEKFS Series ▶ p. 16

## Selection Procedure

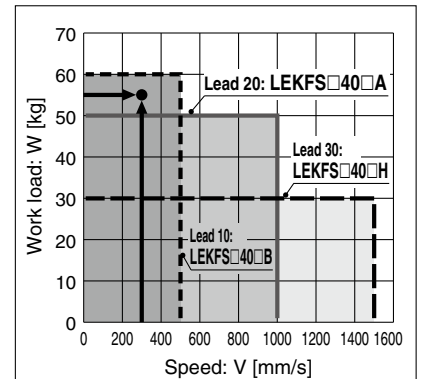
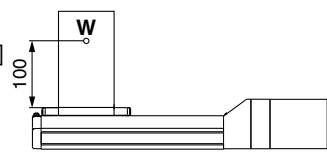


## Selection Example

The model selection method shown below corresponds to SMC's standard motor. For use in combination with a motor from a different manufacturer, check the available product information of the motor to be used.

### Operating conditions

- Workpiece mass: 55 [kg]
- Speed: 300 [mm/s]
- Acceleration/Deceleration: 3000 [mm/s<sup>2</sup>]
- Stroke: 200 [mm]
- Mounting position: Horizontal upward
- Incremental encoder
- Workpiece mounting condition:
- Settling time



### Step 1 Check the work load-speed. <Speed-Work Load Graph>

Select a model based on the workpiece mass and speed which are within the range of the actuator body specifications while referencing the speed-work load graph (guide) on page 8.

Selection example) The LEKFS40B-200 can be temporarily selected as a possible candidate based on the graph shown on the right side.

\* Refer to the selection method of motor manufacturers for regeneration resistance.

### Step 2 Check the cycle time.

Calculate the cycle time using the following calculation method.

#### Cycle time:

T can be found from the following equation.

$$T = T1 + T2 + T3 + T4 \text{ [s]}$$

• T1: Acceleration time and T3: Deceleration time can be found by the following equation.

$$T1 = V/a1 \text{ [s]} \quad T3 = V/a2 \text{ [s]}$$

• T2: Constant speed time can be found from the following equation.

$$T2 = \frac{L - 0.5 \cdot V \cdot (T1 + T3)}{V} \text{ [s]}$$

• T4: Settling time varies depending on the motor type and load. The value below is recommended.

$$T4 = 0.05 \text{ [s]}$$

\* The conditions for the settling time vary depending on the motor or driver to be used.

Calculation example)

T1 to T4 can be calculated as follows.

$$T1 = V/a1 = 300/3000 = 0.1 \text{ [s]}$$

$$T3 = V/a2 = 300/3000 = 0.1 \text{ [s]}$$

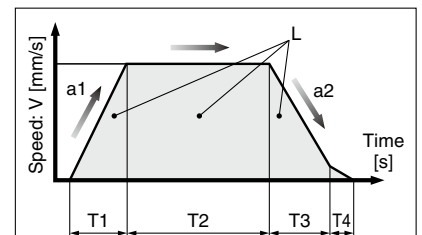
$$T2 = \frac{L - 0.5 \cdot V \cdot (T1 + T3)}{V} = \frac{200 - 0.5 \cdot 300 \cdot (0.1 + 0.1)}{300} = 0.57 \text{ [s]}$$

$$T4 = 0.05 \text{ [s]}$$

The cycle time can be found as follows.

$$T = T1 + T2 + T3 + T4 = 0.1 + 0.57 + 0.1 + 0.05 = 0.82 \text{ [s]}$$

<Speed-Work Load Graph> (LEKFS40)



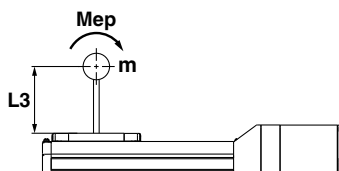
L : Stroke [mm] ... (Operating condition)  
 V : Speed [mm/s] ... (Operating condition)  
 a1 : Acceleration [mm/s<sup>2</sup>] ... (Operating condition)  
 a2 : Deceleration [mm/s<sup>2</sup>] ... (Operating condition)

- T1: Acceleration time [s]  
Time until reaching the set speed
- T2: Constant speed time [s]  
Time while the actuator is operating at a constant speed
- T3: Deceleration time [s]  
Time from the beginning of the constant speed operation to stop
- T4: Settling time [s]  
Time until positioning is completed

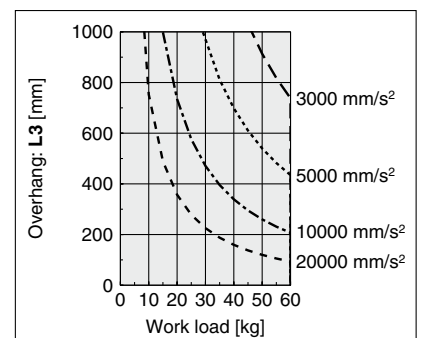
### Step 3 Check the allowable moment. <Static allowable moment> (page 12)

### <Dynamic allowable moment> (page 13)

Confirm the moment that applies to the actuator is within the allowable range for both static and dynamic conditions.



Based on the above calculation result, the LEKFS40B-200 should be selected.



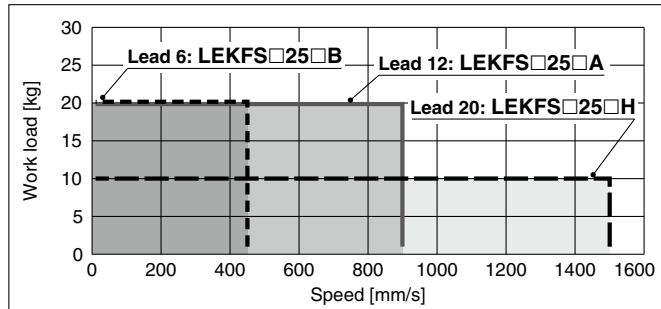


- \* The values shown below are allowable values of the actuator body. Do not use the actuator so that it exceeds these specification ranges.
- \* The allowable speed is restricted depending on the stroke. Select it by referring to the "Allowable Stroke Speed" below.

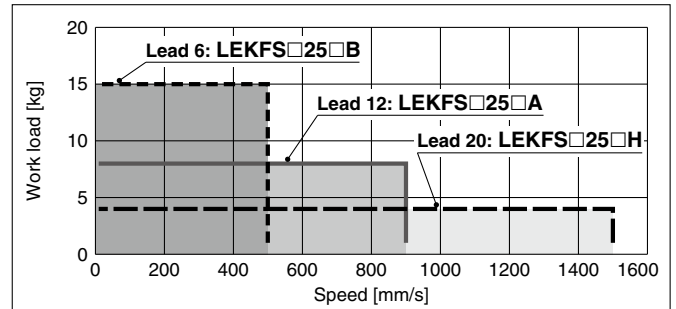
## Speed-Work Load Graph (Guide)

### LEKFS□25/Ball Screw Drive

#### Horizontal

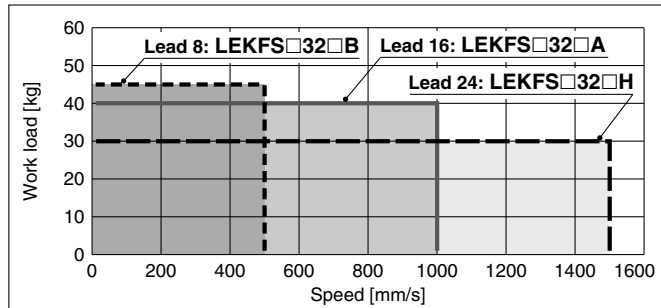


#### Vertical

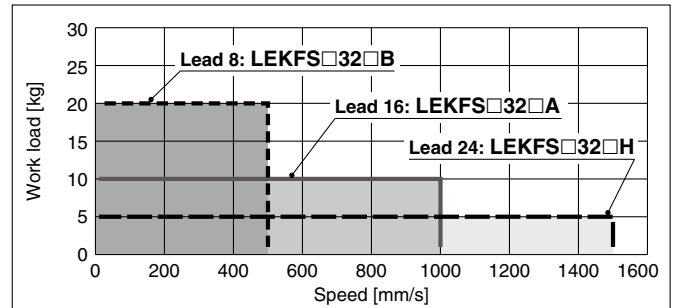


### LEKFS□32/Ball Screw Drive

#### Horizontal

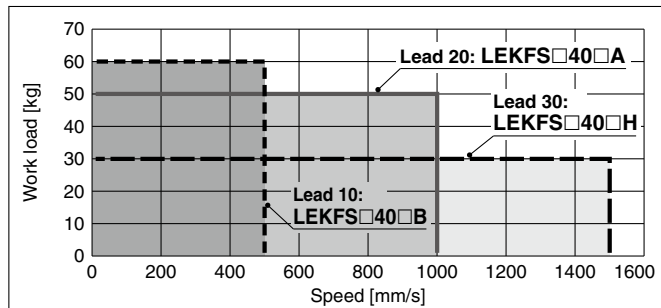


#### Vertical

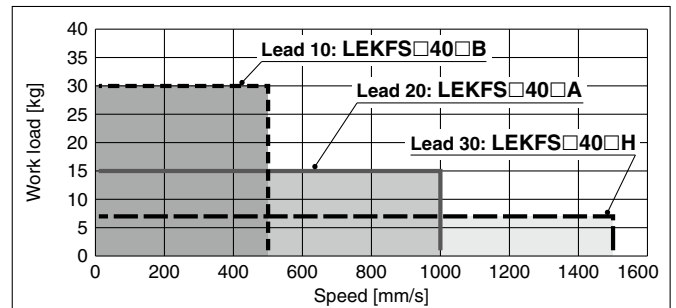


### LEKFS□40/Ball Screw Drive

#### Horizontal



#### Vertical



## Allowable Stroke Speed

Model	AC servo motor	Lead Symbol	Lead [mm]	Stroke [mm]										
				Up to 100	Up to 200	Up to 300	Up to 400	Up to 500	Up to 600	Up to 700	Up to 800	Up to 900	Up to 1000	Up to 1100
LEKFS25	100 W equivalent	H	20	1500			1200	900	700	550	—	—	—	—
		A	12	900			720	540	420	330	—	—	—	—
		B	6	450			360	270	210	160	—	—	—	—
		(Motor rotation speed)		(4500 rpm)			(3650 rpm)	(2700 rpm)	(2100 rpm)	(1650 rpm)	—	—	—	—
LEKFS32	200 W equivalent	H	24	1500			1200	930	750	610	510	—	—	
		A	16	1000			800	620	500	410	340	—	—	
		B	8	500			400	310	250	200	170	—	—	
		(Motor rotation speed)		(3750 rpm)			(3000 rpm)	(2325 rpm)	(1875 rpm)	(1537 rpm)	(1275 rpm)	—	—	
LEKFS40	400 W equivalent	H	30	—	1500			1410	1140	930	780	500		
		A	20	—	1000			940	760	620	520	440	380	
		B	10	—	500			470	380	310	260	220	190	
		(Motor rotation speed)		—	(3000 rpm)			(2820 rpm)	(2280 rpm)	(1860 rpm)	(1560 rpm)	(1320 rpm)	(1140 rpm)	

Model Selection

LEKFS

LEFS

LEFB

LEJS

LET-X11

LEY

LEYG

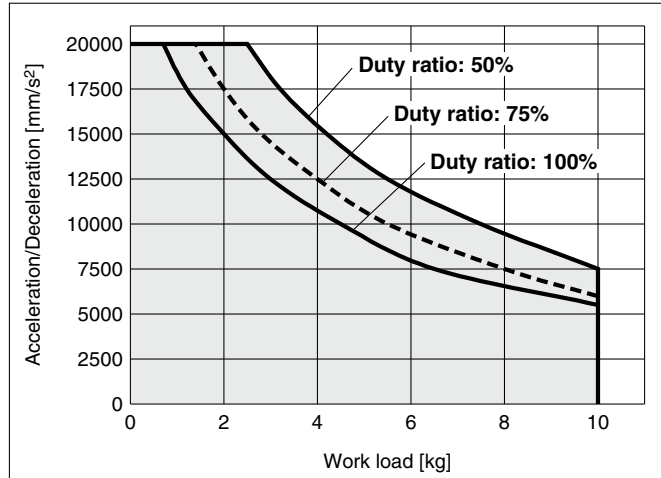
LESYH

Motor Mounting

## Work Load–Acceleration/Deceleration Graph (Guide)

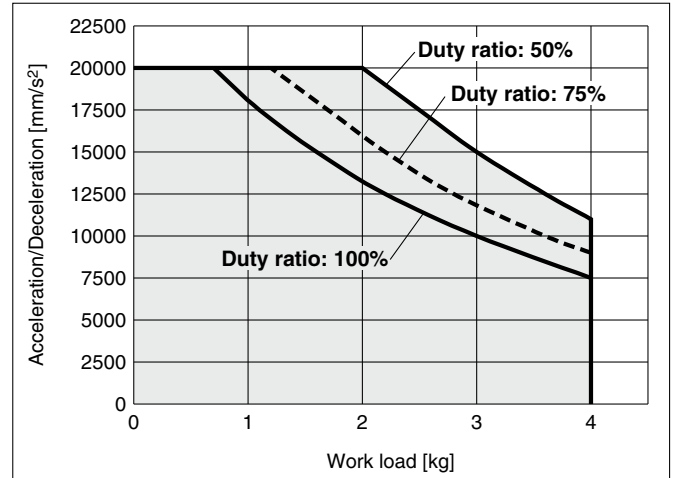
### LEKFS□25□H/Ball Screw Drive

#### Horizontal



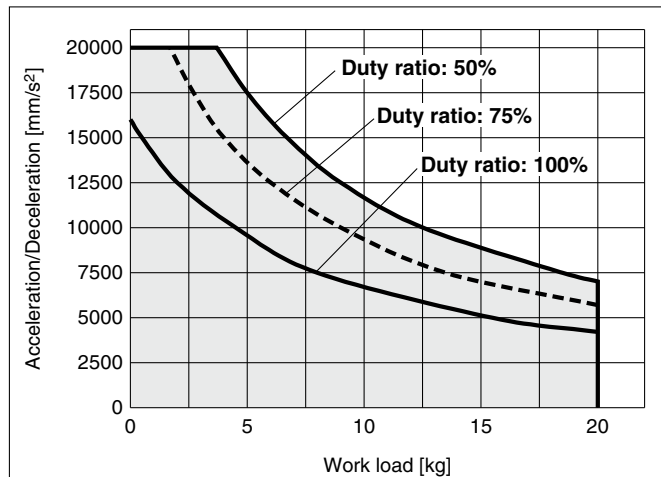
### LEKFS□25□H/Ball Screw Drive

#### Vertical



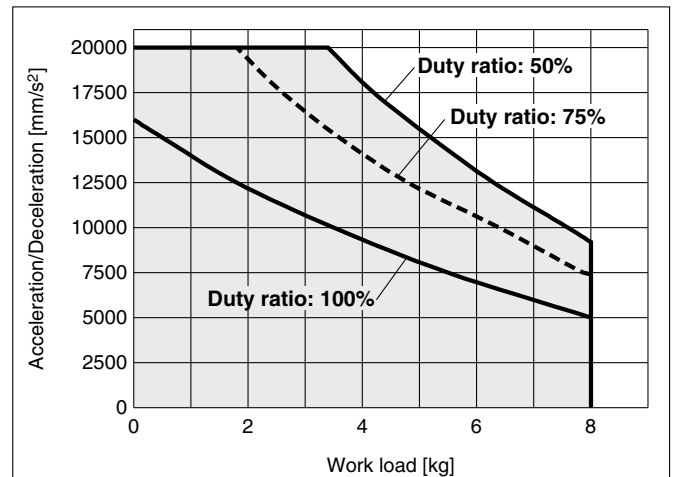
### LEKFS□25□A/Ball Screw Drive

#### Horizontal



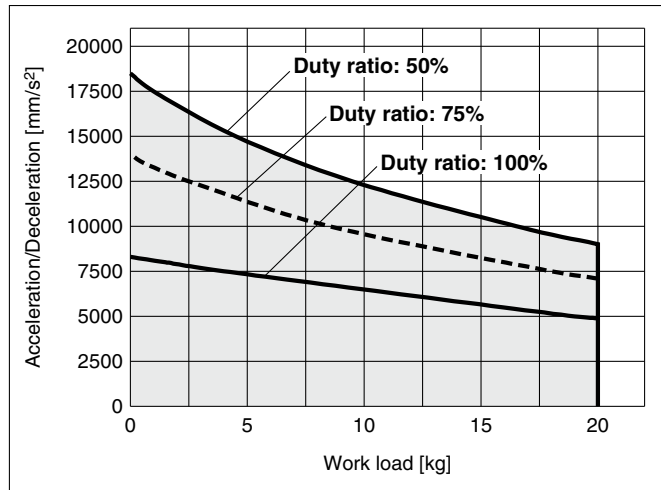
### LEKFS□25□A/Ball Screw Drive

#### Vertical



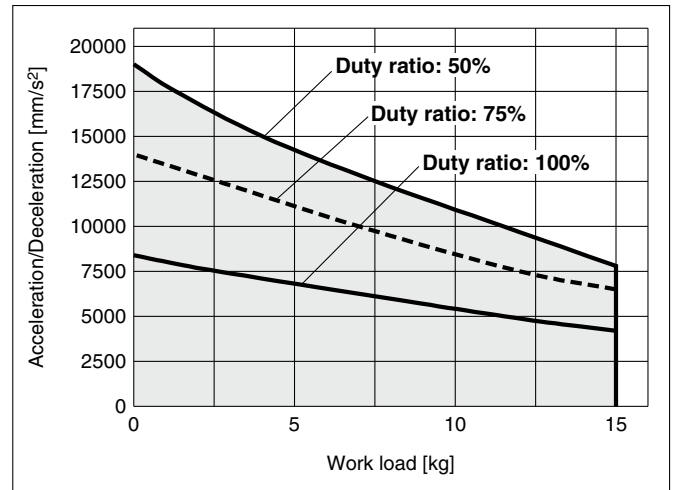
### LEKFS□25□B/Ball Screw Drive

#### Horizontal



### LEKFS□25□B/Ball Screw Drive

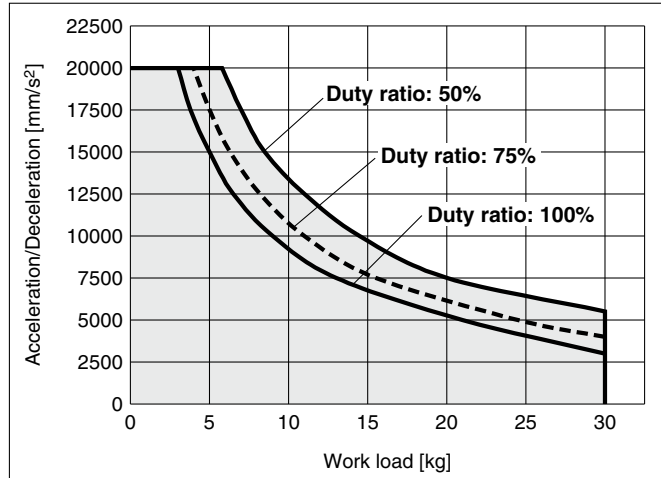
#### Vertical



### Work Load–Acceleration/Deceleration Graph (Guide)

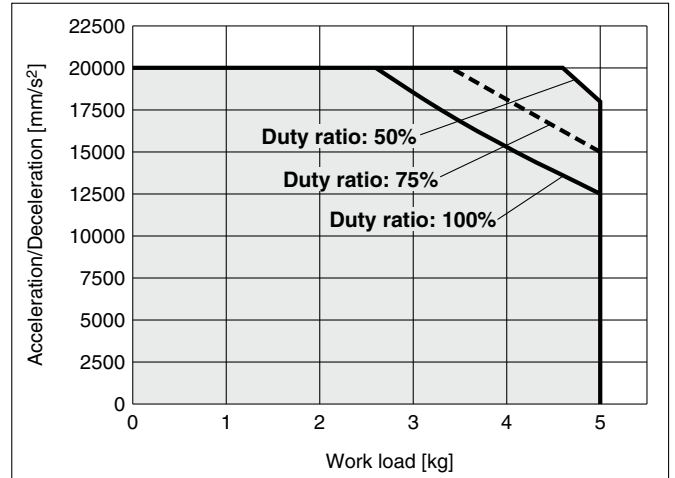
#### LEKFS□32□H/Ball Screw Drive

##### Horizontal



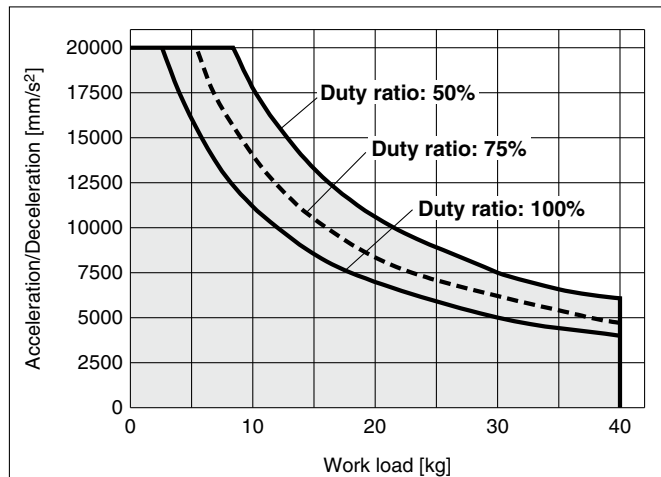
#### LEKFS□32□H/Ball Screw Drive

##### Vertical



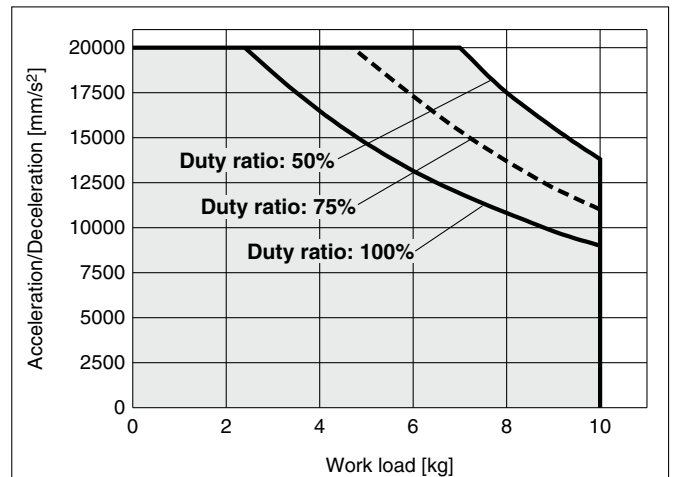
#### LEKFS□32□A/Ball Screw Drive

##### Horizontal



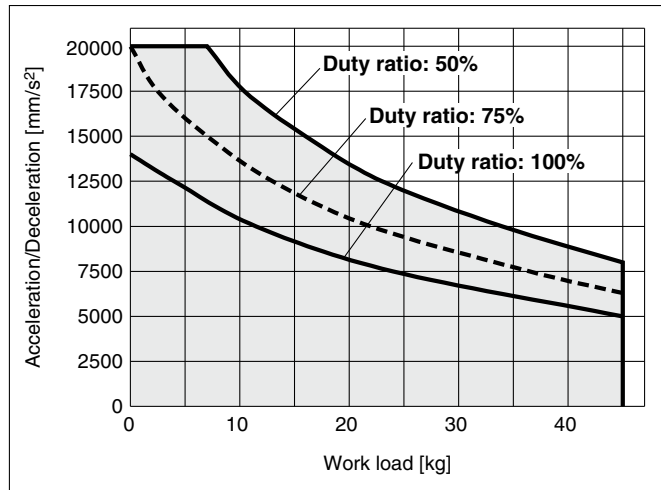
#### LEKFS□32□A/Ball Screw Drive

##### Vertical



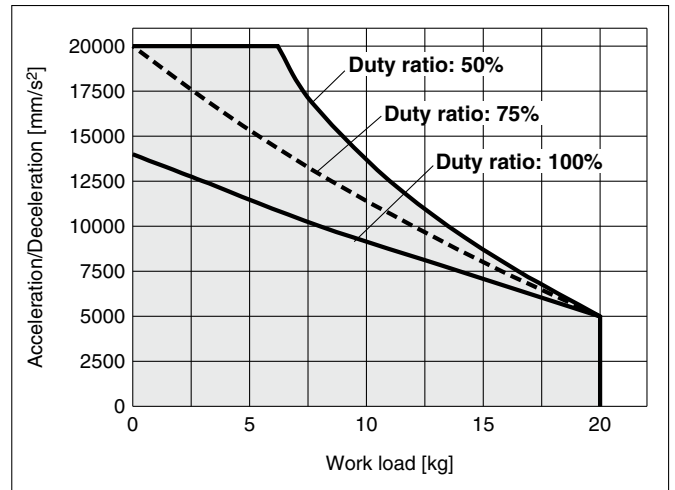
#### LEKFS□32□B/Ball Screw Drive

##### Horizontal



#### LEKFS□32□B/Ball Screw Drive

##### Vertical



Model Selection

LEKFS

LEFS

LEFB

LEJS

LET-X11

LEY

LEYG

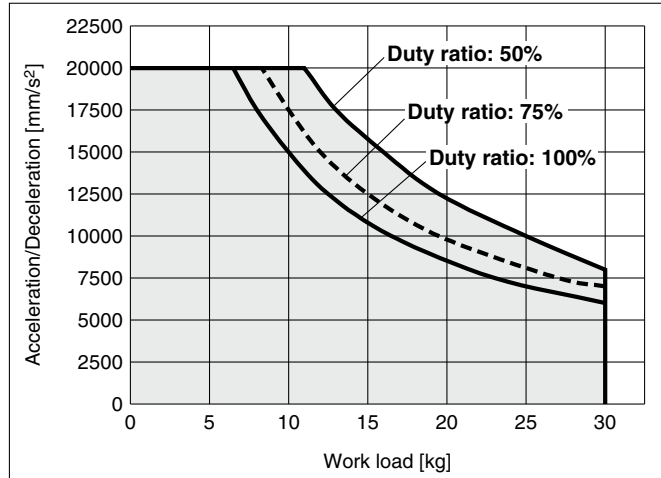
LESYH

Motor Mounting

## Work Load–Acceleration/Deceleration Graph (Guide)

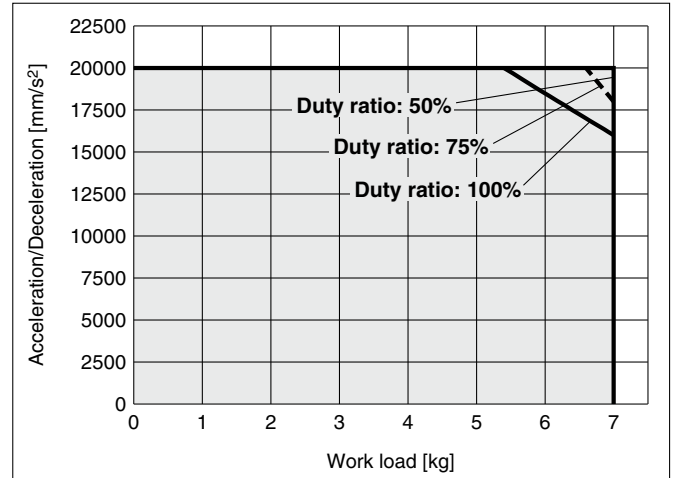
### LEKFS□40□H/Ball Screw Drive

#### Horizontal



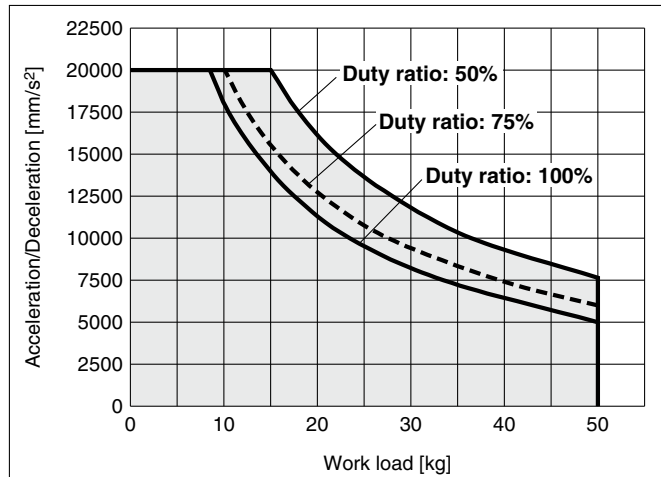
### LEKFS□40□H/Ball Screw Drive

#### Vertical



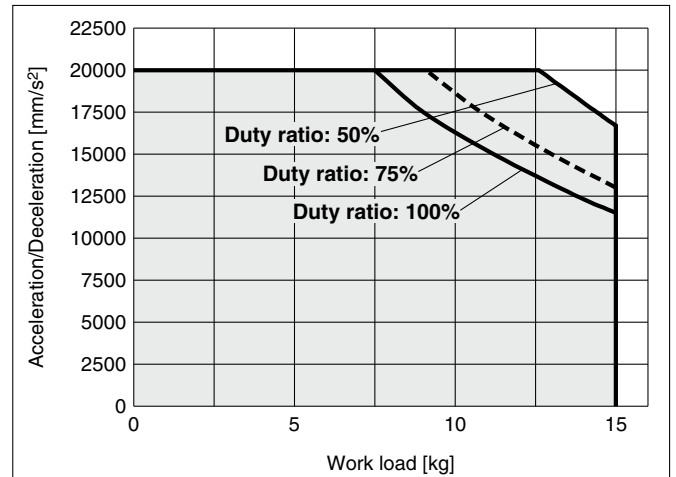
### LEKFS□40□A/Ball Screw Drive

#### Horizontal



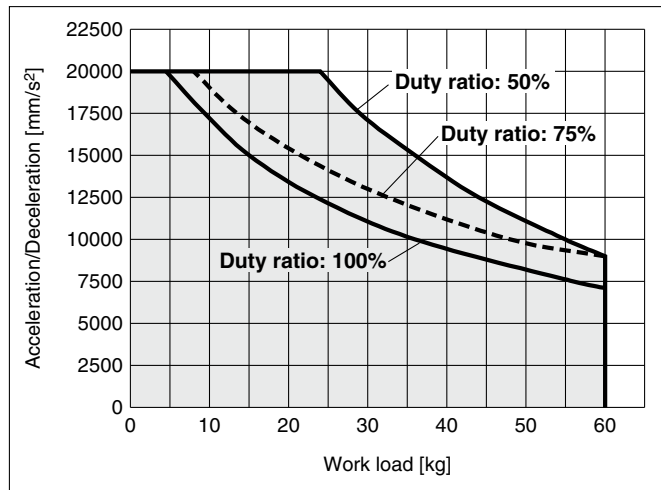
### LEKFS□40□A/Ball Screw Drive

#### Vertical



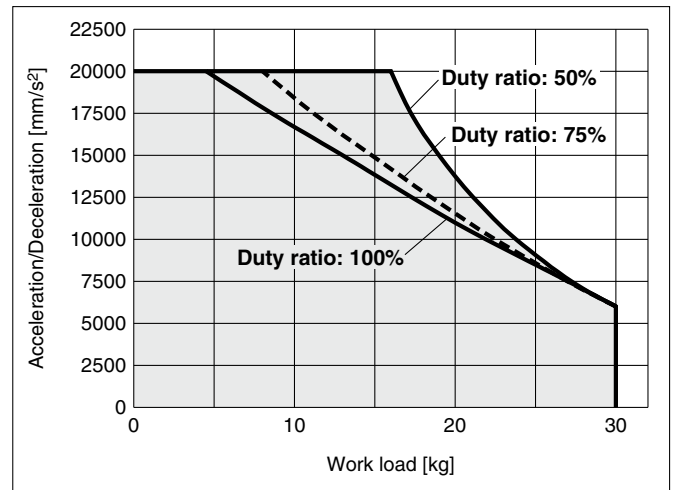
### LEKFS□40□B/Ball Screw Drive

#### Horizontal



### LEKFS□40□B/Ball Screw Drive

#### Vertical



These graphs are examples of when the standard motor is mounted.  
Determine the duty ratio after taking into account the load factor of the motor or driver to be used.



## Static Allowable Moment<sup>\*1</sup>

Model	LEKFS25	LEKFS32	LEKFS40
<b>Pitching [N·m]</b>	61	141	264
<b>Yawing [N·m]</b>	70	141	264
<b>Rolling [N·m]</b>	115	290	473

\*1 The static allowable moment is the amount of static moment which can be applied to the actuator when it is stopped.  
 If the product is exposed to impact or repeated load, be sure to take adequate safety measures when using the product.

Model Selection

LEKFS

LEFS

LEFB

LEJS

LET-X11

LEY

LEYG

LESYH

Motor Mounting

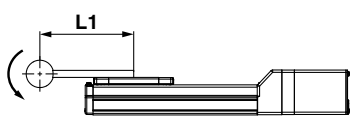
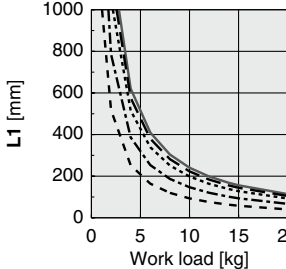
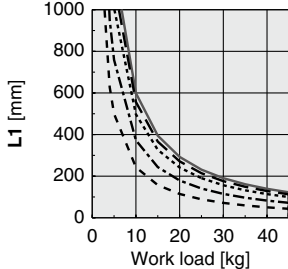
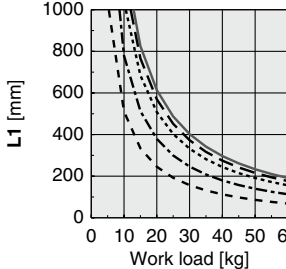
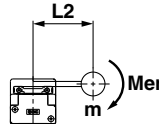
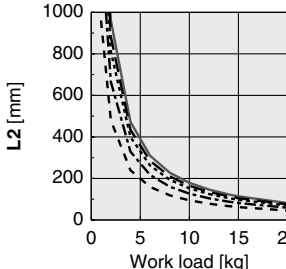
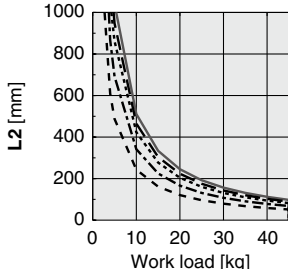
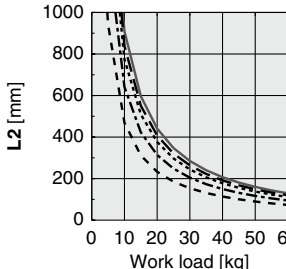
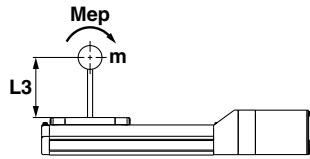
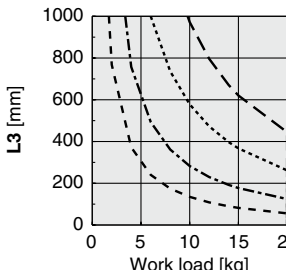
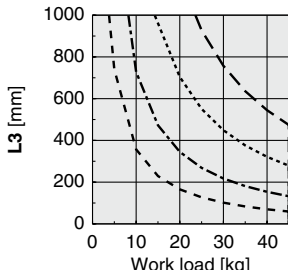
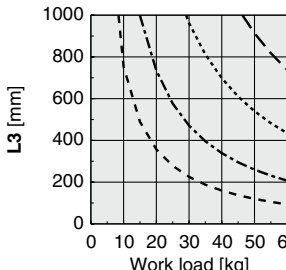
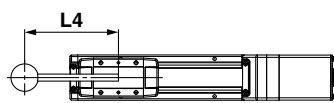
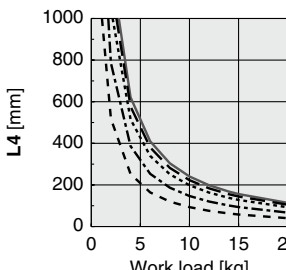
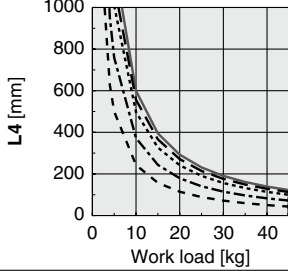
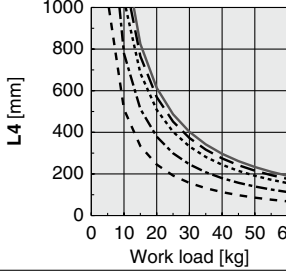
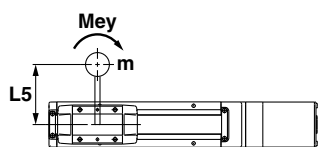
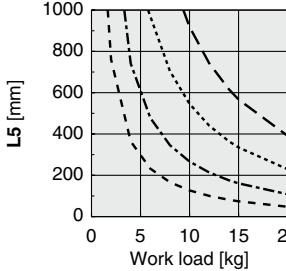
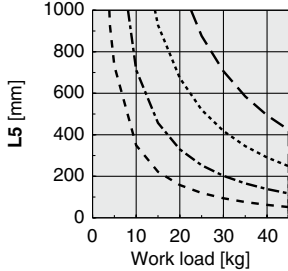
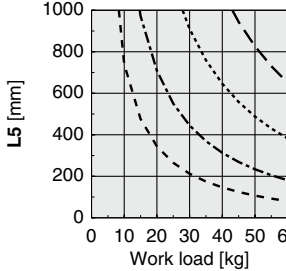
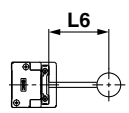
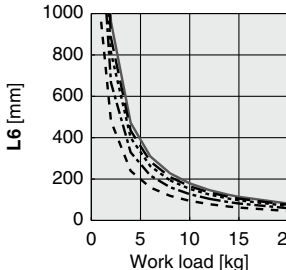
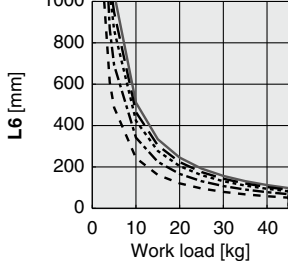
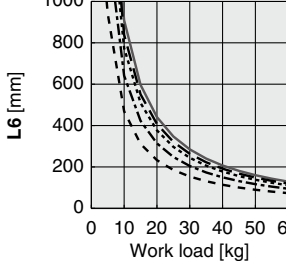
# LEKFS Series

Motorless Type

\* These graphs show the amount of allowable overhang (guide unit) when the center of gravity of the workpiece overhangs in one direction. When selecting the overhang, refer to the "Calculation of Guide Load Factor" or the Electric Actuator Model Selection Software for confirmation: <https://www.smcworld.com>

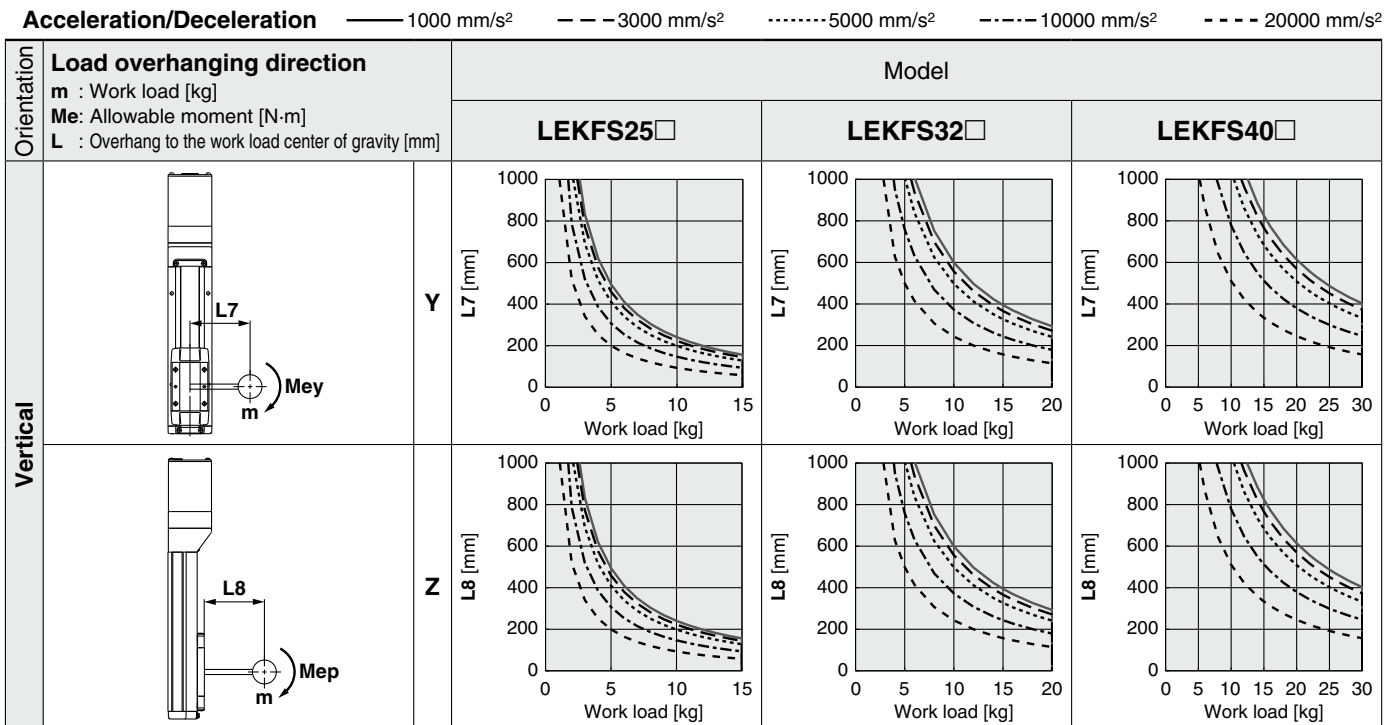
## Dynamic Allowable Moment

Acceleration/Deceleration — 1000 mm/s<sup>2</sup> - - - 3000 mm/s<sup>2</sup> ····· 5000 mm/s<sup>2</sup> - - - - 10000 mm/s<sup>2</sup> - - - - 20000 mm/s<sup>2</sup>

Orientation	Load overhanging direction m: Work load [kg] Me: Allowable moment [N·m] L: Overhang to the work load center of gravity [mm]	Model		
		LEKFS25□	LEKFS32□	LEKFS40□
Horizontal/Bottom	 <p><b>X</b></p> <p>L1 [mm]</p>			
	 <p><b>Y</b></p> <p>L2 [mm]</p>			
	 <p><b>Z</b></p> <p>L3 [mm]</p> <p>* Acceleration/deceleration: Calculate the overhang for the work load at 1000 mm/s<sup>2</sup> based on the model selection software.</p>			
Wall	 <p><b>X</b></p> <p>L4 [mm]</p>			
	 <p><b>Y</b></p> <p>L5 [mm]</p> <p>* Acceleration/deceleration: Calculate the overhang for the work load at 1000 mm/s<sup>2</sup> based on the model selection software.</p>			
	 <p><b>Z</b></p> <p>L6 [mm]</p>			

\* These graphs show the amount of allowable overhang (guide unit) when the center of gravity of the workpiece overhangs in one direction. When selecting the overhang, refer to the "Calculation of Guide Load Factor" or the Electric Actuator Model Selection Software for confirmation: <https://www.smcworld.com>

## Dynamic Allowable Moment



## Calculation of Guide Load Factor

1. Decide operating conditions.

Model: LEKFS

Size: 25/32/40

Mounting orientation: Horizontal/Bottom/Wall/Vertical

Acceleration [mm/s<sup>2</sup>]: a

Work load [kg]: m

Work load center position [mm]: Xc/Yc/Zc

2. Select the target graph while referencing the model, size, and mounting orientation.

3. Based on the acceleration and work load, find the overhang [mm]: Lx/Ly/Lz from the graph.

4. Calculate the load factor for each direction.

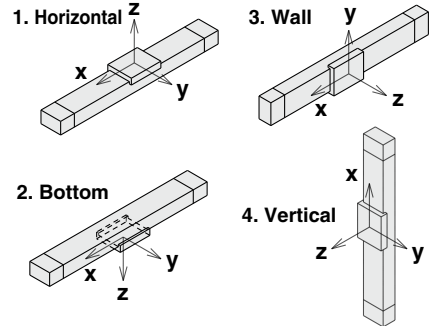
$$\alpha_x = X_c/L_x, \alpha_y = Y_c/L_y, \alpha_z = Z_c/L_z$$

5. Confirm the total of  $\alpha_x$ ,  $\alpha_y$ , and  $\alpha_z$  is 1 or less.

$$\alpha_x + \alpha_y + \alpha_z \leq 1$$

When 1 is exceeded, consider a reduction of acceleration and work load, or a change of the work load center position and series.

### Mounting Orientation



### Example

1. Operating conditions

Model: LEKFS40

Size: 40

Mounting orientation: Horizontal

Acceleration [mm/s<sup>2</sup>]: 3000

Work load [kg]: 20

Work load center position [mm]: Xc = 0, Yc = 50, Zc = 200

2. Select the graphs for horizontal of the LEKFS40□ on page 13.

3. Lx = 250 mm, Ly = 180 mm, Lz = 1000 mm

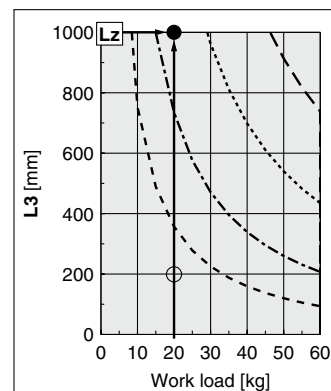
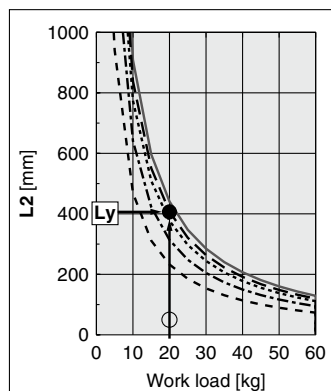
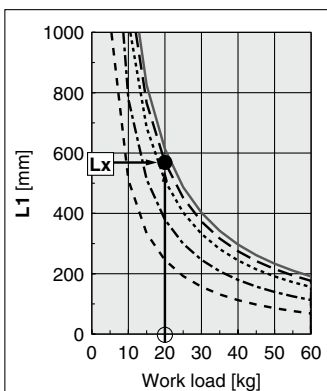
4. The load factor for each direction can be found as follows.

$$\alpha_x = 0/250 = 0$$

$$\alpha_y = 50/410 = 0.12$$

$$\alpha_z = 200/1000 = 0.2$$

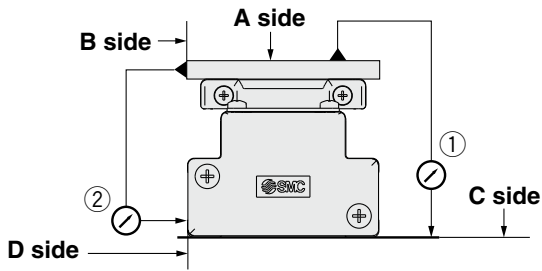
5.  $\alpha_x + \alpha_y + \alpha_z = 0.32 \leq 1$



# LEKFS Series

Motorless Type

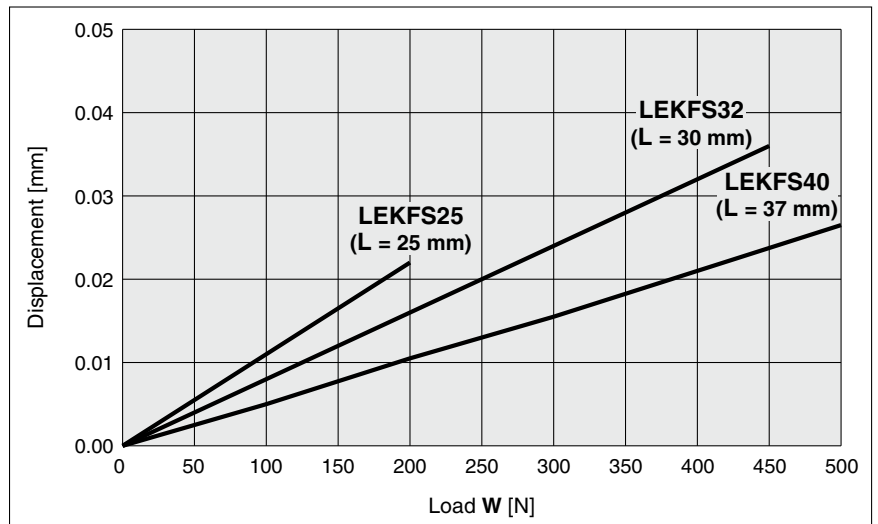
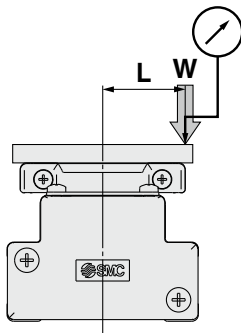
## Table Accuracy (Reference Value)



Model	Traveling parallelism [mm] (Every 300 mm)	
	① C side traveling parallelism to A side	② D side traveling parallelism to B side
<b>LEKFS25</b>	0.04	0.02
<b>LEKFS32</b>	0.04	0.02
<b>LEKFS40</b>	0.04	0.02

\* Traveling parallelism does not include the mounting surface accuracy.

## Table Displacement (Reference Value)

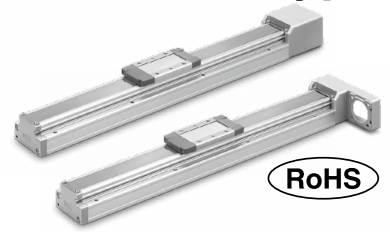


\* This displacement is measured when a 15 mm aluminum plate is mounted and fixed on the table.



# Electric Actuator/ High Rigidity and High Precision Slider Type Ball Screw Drive

## LEKFS Series LEKFS25, 32, 40



RoHS

Model Selection

LEKFS

LEFS

LEFB

LEJS

LET-X11

LEY

LEYG

LESYH

Motor Mounting

### How to Order

LEKFS **32** **NZ** **A** - **300**

① ② ③ ④ ⑤ ⑥

**① Size**

25
32
40

**② Motor mounting position**

Nil	In-line
R	Right side parallel
L	Left side parallel

**③ Mounting type**

NZ
NY
NX
NW
NV
NU
NT
NM1
NM2
NM3

**④ Lead [mm]**

Symbol	LEKFS25	LEKFS32	LEKFS40
H	20	24	30
A	12	16	20
B	6	8	10

**⑤ Stroke [mm]**

50	50
to	to
1200	1200

\* Refer to the applicable stroke table.

**⑥ Grease application (Seal band part)**

Nil	With
N	Without (Roller specification)

### Applicable Stroke Table

●: Standard

Size	Stroke																
	50	100	150	200	250	300	350	400	450	500	600	700	800	900	1000	1100	1200
25	●	●	●	●	●	●	●	●	●	●	●	●	●	—	—	—	—
32	●	●	●	●	●	●	●	●	●	●	●	●	●	●	●	—	—
40	—	—	●	●	●	●	●	●	●	●	●	●	●	●	●	●	●

### Compatible Motors and Mounting Types\*5

Applicable motor model		Size/Mounting type															
Manufacturer	Series	25						32/40									
		NZ	NY	NX	NM1	NM2	NM3	NZ	NY	NX	NW	NV	NU	NT	NM1	NM2	
Mitsubishi Electric Corporation	MELSERVO JN/J4/J5	●	—	—	—	—	—	●	—	—	—	—	—	—	—	—	—
YASKAWA Electric Corporation	Σ-V/7/X	●*4	—	—	—	—	—	●	—	—	—	—	—	—	—	—	—
SANYO DENKI CO., LTD.	SANMOTION R	●	—	—	—	—	—	●	—	—	—	—	—	—	—	—	—
OMRON Corporation	OMNUC G5/1S	●	—	—	—	—	—	—	●	—	—	—	—	—	—	—	—
Panasonic Corporation	MINAS A5/A6	(MHMF only) ●	—	—	—	—	—	—	●	—	—	—	—	—	—	—	—
FANUC CORPORATION	βis (-B)	●	—	—	—	—	—	(β1 only) ●	—	—	●	—	—	—	—	—	—
NIDEC SANKYO CORPORATION	S-FLAG	●	—	—	—	—	—	●	—	—	—	—	—	—	—	—	—
KEYENCE CORPORATION	SV/SV2	●*4	—	—	—	—	—	●	—	—	—	—	—	—	—	—	—
FUJI ELECTRIC CO., LTD.	ALPHA7	●	—	—	—	—	—	●	—	—	—	—	—	—	—	—	—
MinebeaMitsumi Inc.	Hybrid stepping motors	—	—	—	●*1	—	—	—	—	—	—	—	—	—	—	—	●*2
Shinano Kenshi Co., Ltd.	CSB-BZ	—	—	—	●*1	—	—	—	—	—	—	—	—	—	—	—	—
ORIENTAL MOTOR Co., Ltd.	α STEP AR/AZ	—	—	—	—	—	—	● (46 only)	—	—	—	—	—	—	—	—	●*2
FASTECH Co., Ltd.	Ezi-SERVO	—	—	—	●	—	—	—	—	—	—	—	—	—	—	—	●*2
Rockwell Automation, Inc. (Allen-Bradley)	Kinetix MP/VP/TL	● (TL only)	—	—	—	—	—	—	—	—	—	●*1 (MP/VP only)	—	—	—	● (TL only)	—
Beckhoff Automation GmbH	AM 30/31/80/81	●	—	—	—	—	—	—	—	—	—	●*1 (80/81 only)	—	●*1 (30 only)	●*2 (31 only)	—	—
Siemens AG	SIMOTICS S-1FK7	—	—	●	—	—	—	—	—	—	—	●*1	—	—	—	—	—
Delta Electronics, Inc.	ASDA-A2	●	—	—	—	—	—	—	—	—	—	—	—	—	—	—	—
ANCA Motion	AMD2000	●	—	—	—	—	—	—	—	—	—	—	—	—	—	—	—

\*1 Motor mounting position: In-line only \*2 Only size 32 is available when the motor mounting position is right (or left) side parallel. \*3 Motor mounting position: Right (or left) side parallel only

\*4 For some motors, the connector may protrude from the motor body. Be sure to check for interference with the mounting surface before selecting a motor.

\*5 The compatible motors and mounting types are typical examples. Select the mounting type after referring to the "Motor Mounting, Applicable Motor Dimensions" tables on the following "Dimensions" pages.

# LEKFS Series

Motorless Type

## Specifications

Model			LEKFS25				LEKFS32			LEKFS40			
Actuator specifications	Stroke [mm]*1		50 to 800				50 to 1000			150 to 1200			
	Work load [kg]		Horizontal		10	20	20	30	40	45	30	50	60
			Vertical		4	8	15	5	10	20	7	15	30
	Speed [mm/s]	Stroke range	Up to 400	1500	900	450	1500	1000	500	1500	1000	500	
			401 to 500	1200	720	360	1500	1000	500	1500	1000	500	
			501 to 600	900	540	270	1200	800	400	1500	1000	500	
			601 to 700	700	420	210	930	620	310	1410	940	470	
			701 to 800	550	330	160	750	500	250	1140	760	380	
			801 to 900	—	—	—	610	410	200	930	620	310	
			901 to 1000	—	—	—	510	340	170	780	520	260	
			1001 to 1100	—	—	—	—	—	—	500	440	220	
	1101 to 1200	—	—	—	—	—	—	500	380	190			
	Pushing return to origin speed [mm/s]		30 or less										
	Positioning repeatability [mm]		±0.01										
	Lost motion*2 [mm]		0.05 or less										
Ball screw specifications		Thread size [mm]	ø10				ø12			ø15			
		Lead [mm]	20	12	6	24	16	8	30	20	10		
		Shaft length [mm]	Stroke + 150				Stroke + 185			Stroke + 235			
Max. acceleration/deceleration [mm/s <sup>2</sup> ]		20000*3											
Impact/Vibration resistance [m/s <sup>2</sup> ]*4		50/20											
Actuation type		Ball screw (LEKFS□), Ball screw + Belt (LEKFS□R/L)											
Guide type		Linear guide											
Operating temperature range [°C]		5 to 40											
Operating humidity range [%RH]		90 or less (No condensation)											
Enclosure		IP30 (Excludes motor mounting part)											
Other specifications	Actuation unit weight [kg]		0.2				0.3			0.55			
	Other inertia [kg·cm <sup>2</sup> ]		0.02 (LEFS25)				0.08 (LEFS32)			0.08 (LEFS40)			
			0.02 (LEFS25R/L)				0.06 (LEFS32R/L)			0.17 (LEFS40R/L)			
	Friction coefficient		0.05										
Mechanical efficiency		0.8											
Reference motor specifications	Motor shape		□40				□60						
	Motor type		AC servo motor (100 V/200 V)										
	Rated output capacity [W]		100				200			400			
	Rated torque [N·m]		0.32				0.64			1.3			

\*1 Please contact SMC for non-standard strokes as they are produced as special orders.

\*2 A reference value for correcting errors in reciprocal operation

\*3 Maximum acceleration/deceleration changes according to the work load.

Refer to the "Work Load–Acceleration/Deceleration Graph (Guide)" for ball screw drive on pages 9 to 11.

\*4 Impact resistance: No malfunction occurred when the actuator was tested with a drop tester in both an axial direction and a perpendicular direction to the lead screw. (The test was performed with the actuator in the initial state.)

Vibration resistance: No malfunction occurred in a test ranging between 45 to 2000 Hz. The test was performed in both an axial direction and a perpendicular direction to the lead screw. (The test was performed with the actuator in the initial state.)

\* Do not allow collisions at either end of the table traveling distance at a speed exceeding "pushing return to origin speed."

Additionally, when running the positioning operation, do not set within 2 mm of both ends.

\* Each value is only to be used as a guide to select a motor of the appropriate capacity.

\* For other specifications, refer to the specifications of the motor that is to be installed.

## Weight

Model	LEKFS25												
Stroke [mm]	50	100	150	200	250	300	350	400	450	500	600	700	800
Product weight [kg]	1.6	1.7	1.9	2.0	2.2	2.3	2.4	2.5	2.7	2.8	3.1	3.4	3.7

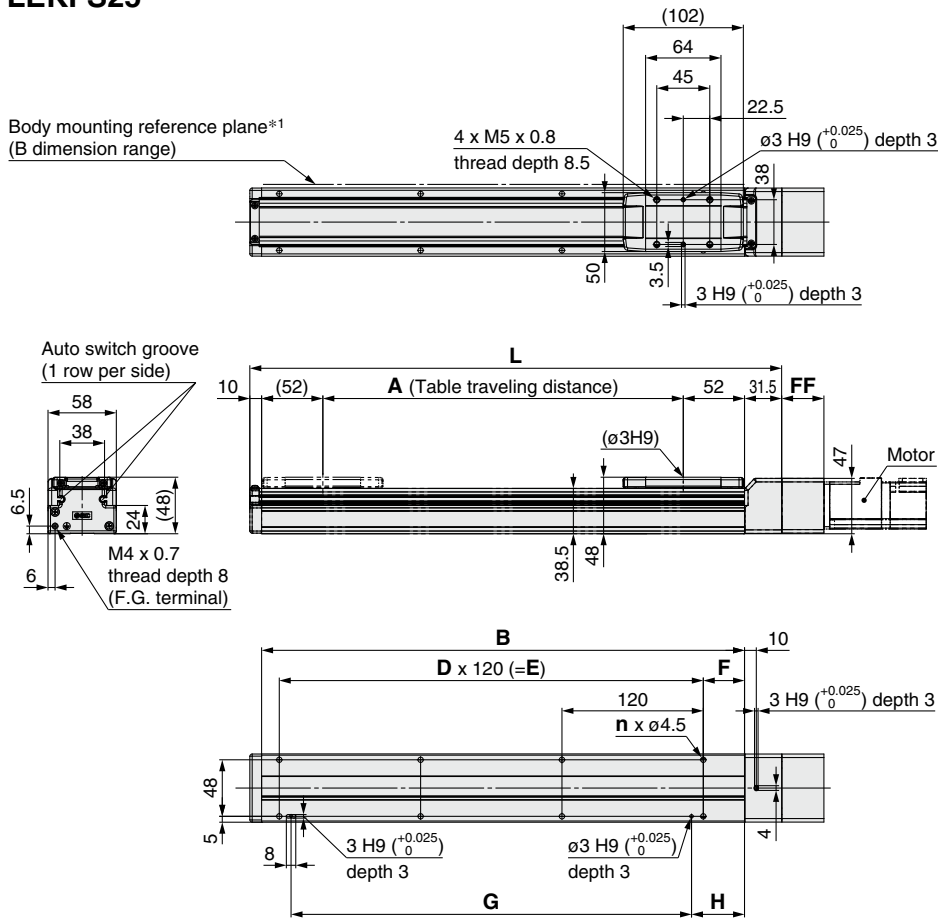
Model	LEKFS32														
Stroke [mm]	50	100	150	200	250	300	350	400	450	500	600	700	800	900	1000
Product weight [kg]	2.5	2.7	2.9	3.1	3.35	3.6	3.8	4.0	4.2	4.4	4.8	5.2	5.6	6.0	6.4

Model	LEKFS40														
Stroke [mm]	150	200	250	300	350	400	450	500	600	700	800	900	1000	1100	1200
Product weight [kg]	4.7	5.0	5.3	5.6	5.9	6.2	6.5	6.8	7.4	8.0	8.6	9.2	9.8	10.4	11.0

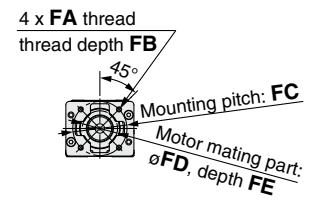
Refer to the "Motor Mounting" on page 24 for details about motor mounting and included parts.

## Dimensions: Ball Screw Drive

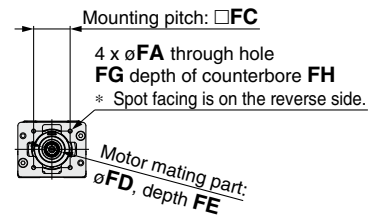
### LEKFS25



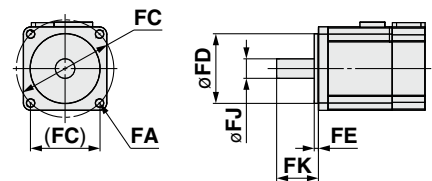
### Mounting type: NZ/NY/NX



### Mounting type: NM1/NM2



### Applicable motor dimensions



\*1 When mounting the actuator using the body mounting reference plane, set the height of the opposite surface or pin to be 3 mm or more. (Recommended height: 5 mm)

### Dimensions [mm]

Stroke	L	A	B	n	D	E	F	G	H
50	201.5	56	160	4	—	—	20	100	30
100	251.5	106	210						
150	301.5	156	260						
200	351.5	206	310	6	2	240	35	220	45
250	401.5	256	360						
300	451.5	306	410	8	3	360	35	340	45
350	501.5	356	460						
400	551.5	406	510						
450	601.5	456	560						
500	651.5	506	610	10	4	480	35	460	45
600	751.5	606	710						
700	851.5	706	810						
800	951.5	806	910	16	7	840	35	820	45

### Motor Mounting, Applicable Motor Dimensions [mm]

Mounting type	FA		FB	FC	FD	FE (Max.)	FF	FG	FH	FJ	FK
	Mounting type	Applicable motor									
NZ	M4 x 0.7	ø4.5	8	ø46	30	3.5	35.5	—	—	8	25 ±1
NY	M3 x 0.5	ø3.4	8	ø45	30	3.5	35.5	—	—	8	25 ±1
NX	M4 x 0.7	ø4.5	8	ø46	30	3.5	35.5	—	—	8	18 ±1
NM1	ø3.4	M3	—	□31	22*1	2.5*1	24	6.5	13.5	5*2	18 to 25
NM2	ø3.4	M3	—	□31	22*1	2.5*1	33.1	6.5	22.6	6	20 ±1

\*1 Dimensions after mounting a ring spacer (Refer to page 24.)

\*2 Shaft type: D-cut shaft

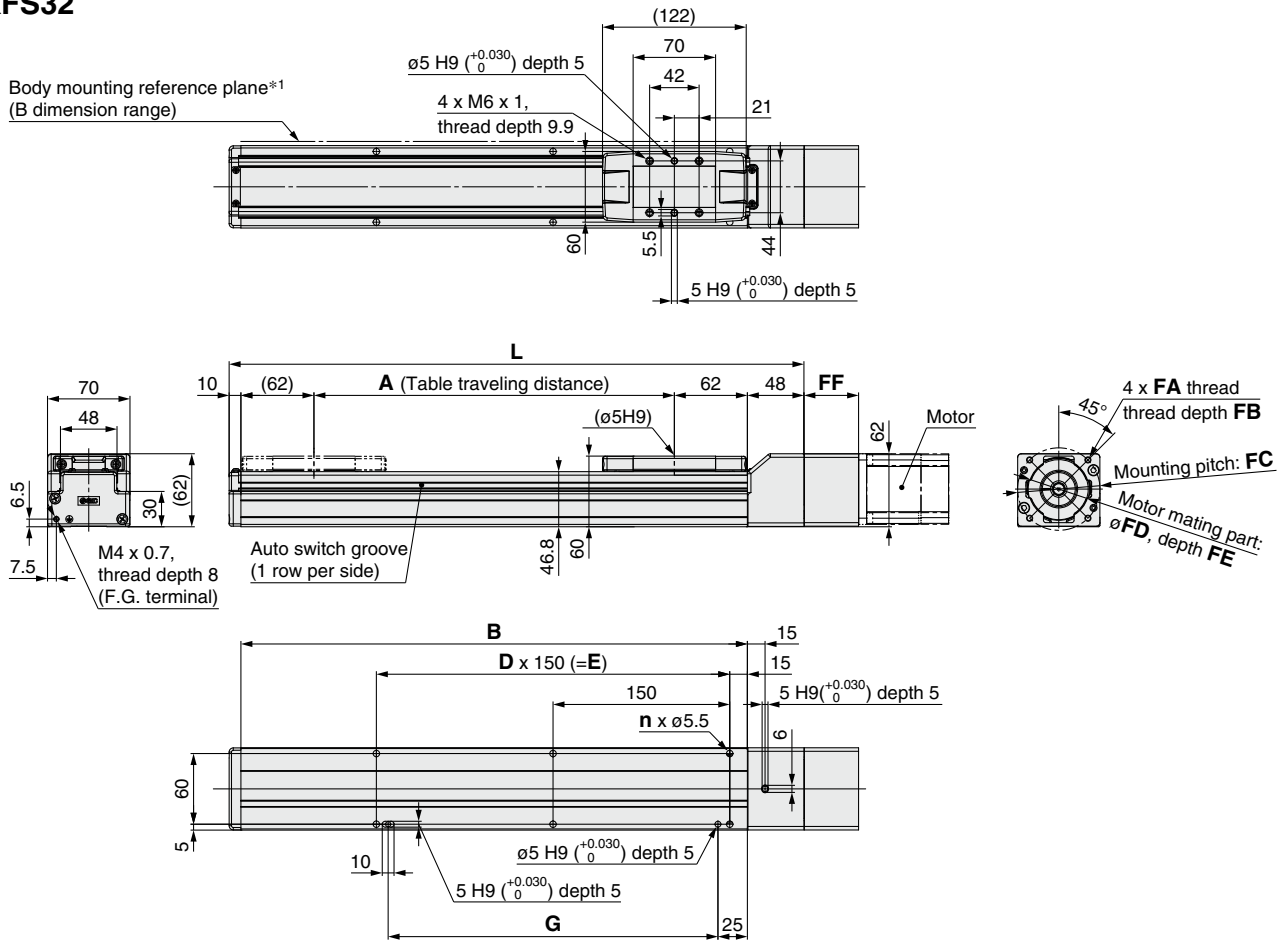
# LEKFS Series

Motorless Type

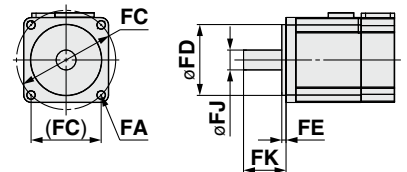
Refer to the "Motor Mounting" on page 24 for details about motor mounting and included parts.

## Dimensions: Ball Screw Drive

### LEKFS32



Applicable motor dimensions



\*1 When mounting the actuator using the body mounting reference plane, set the height of the opposite surface or pin to be 3 mm or more. (Recommended height: 5 mm)

### Dimensions [mm]

Stroke	L	A	B	n	D	E	G
50	238	56	180	4	—	—	130
100	288	106	230				
150	338	156	280				
200	388	206	330	6	2	300	280
250	438	256	380				
300	488	306	430				
350	538	356	480				
400	588	406	530				
450	638	456	580	8	3	450	430
500	688	506	630				
600	788	606	730				
700	888	706	830				
800	988	806	930	14	6	900	880
900	1088	906	1030				
1000	1188	1006	1130				
				16	7	1050	1030

### Motor Mounting, Applicable Motor Dimensions [mm]

Mounting type	FA		FB	FC	FD	FE (Max.)	FF	FJ	FK
	Mounting type	Applicable motor							
NZ	M5 x 0.8	ø5.8	9	ø70	50	5	46	14	30 ±1
NY	M4 x 0.7	ø4.5	8	ø70	50	5	46	11	30 ±1
NX	M5 x 0.8	ø5.8	9	ø63	40*1	4.5*1	49.7	9	20 ±1
NW	M5 x 0.8	ø5.8	9	ø70	50	5	47.5	9	25 ±1
NV	M4 x 0.7	ø4.5	8	ø63	40*1	4.5*1	49.7	9	20 ±1
NU	M5 x 0.8	ø5.8	9	ø70	50	5	47.5	11	23 ±1
NT	M5 x 0.8	ø5.8	9	ø70	50	5	46	12	30 ±1
NM1	M4 x 0.7	ø4.5	8	□47.14	38.1*1	4.5*1	21	6.35*2	20 ±1
NM2	M4 x 0.7	ø4.5	8	□50	36*1	4.5*1	40.1	10	24 ±1

\*1 Dimensions after mounting a ring spacer (Refer to page 24.)

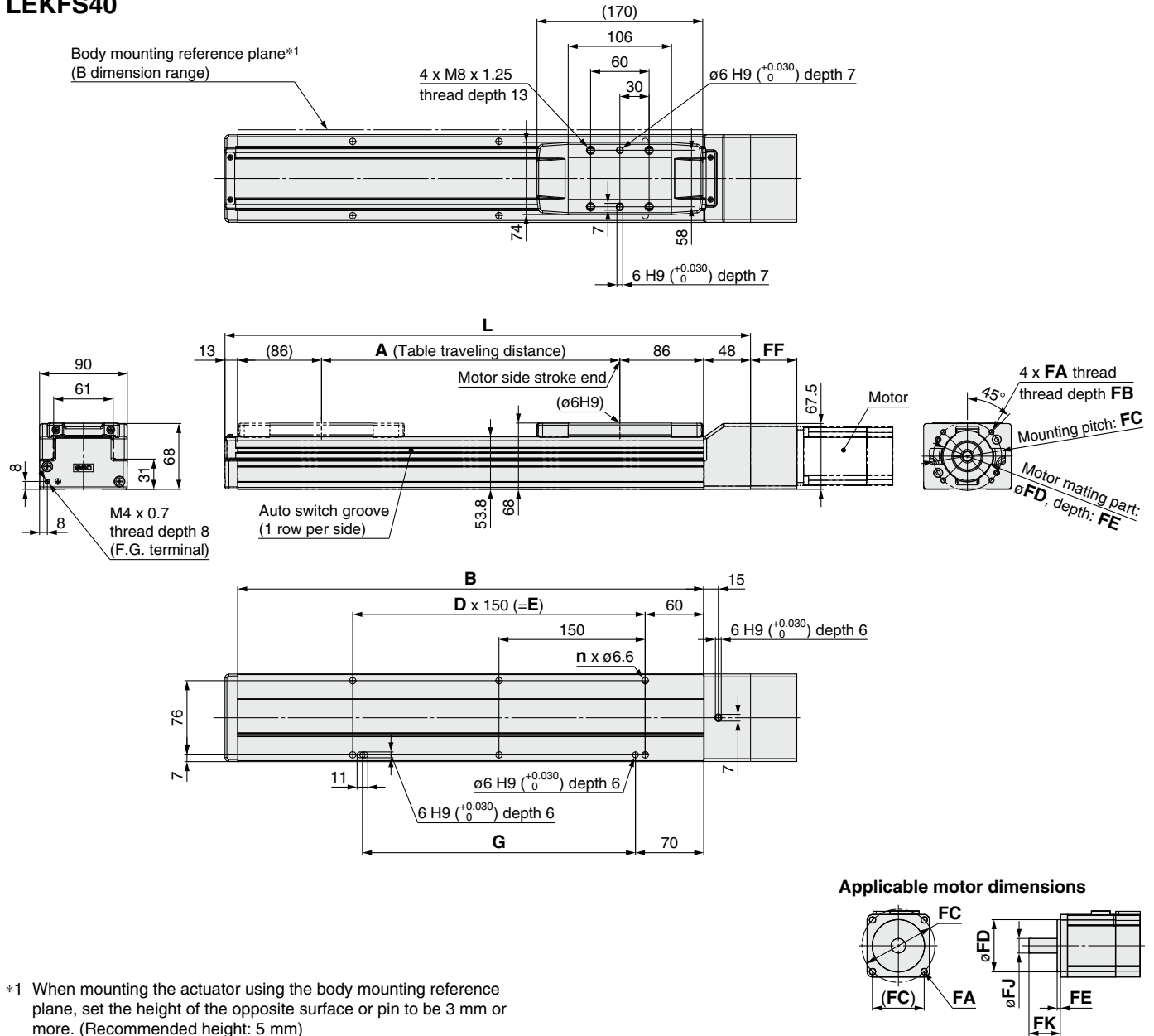
\*2 Shaft type: D-cut shaft



Refer to the "Motor Mounting" on page 24 for details about motor mounting and included parts.

**Dimensions: Ball Screw Drive**

**LEKFS40**



\*1 When mounting the actuator using the body mounting reference plane, set the height of the opposite surface or pin to be 3 mm or more. (Recommended height: 5 mm)

Dimensions [mm]							
Stroke	L	A	B	n	D	E	G
150	389	156	328	4	—	150	130
200	439	206	378	6	2	300	280
250	489	256	428				
300	539	306	478	8	3	450	430
350	589	356	528				
400	639	406	578				
450	689	456	628	10	4	600	580
500	739	506	678				
600	839	606	778	12	5	750	730
700	939	706	878				
800	1039	806	978	14	6	900	880
900	1139	906	1078				
1000	1239	1006	1178	16	7	1050	1030
1100	1339	1106	1278				
1200	1439	1206	1378	18	8	1200	1180

**Motor Mounting, Applicable Motor Dimensions [mm]**

Mounting type	FA		FB	FC	FD	FE (Max.)	FF	FJ	FK
	Mounting type	Applicable motor							
NZ	M5 x 0.8	$\phi 5.8$	9	$\phi 70$	50	5	47.5	14	30 ±1
NY	M4 x 0.7	$\phi 4.5$	8	$\phi 70$	50	5	47.5	14	30 ±1
NX	M5 x 0.8	$\phi 5.8$	9	$\phi 63$	40*1	4.5*1	51	9	20 ±1
NW	M5 x 0.8	$\phi 5.8$	9	$\phi 70$	50	5	48.8	9	25 ±1
NV	M4 x 0.7	$\phi 4.5$	8	$\phi 63$	40*1	4.5*1	51	9	20 ±1
NU	M5 x 0.8	$\phi 5.8$	9	$\phi 70$	50	5	48.8	11	23 ±1
NT	M5 x 0.8	$\phi 5.8$	9	$\phi 70$	50	5	47.5	12	30 ±1
NM1	M4 x 0.7	$\phi 4.5$	8	$\square 47.14$	38.1*1	4.5*1	22	6.35*2	20 ±1
NM2	M4 x 0.7	$\phi 4.5$	8	$\square 50$	36*1	4.5*1	41.4	10	24 ±1

\*1 Dimensions after mounting a ring spacer (Refer to page 24.)

\*2 Shaft type: D-cut shaft

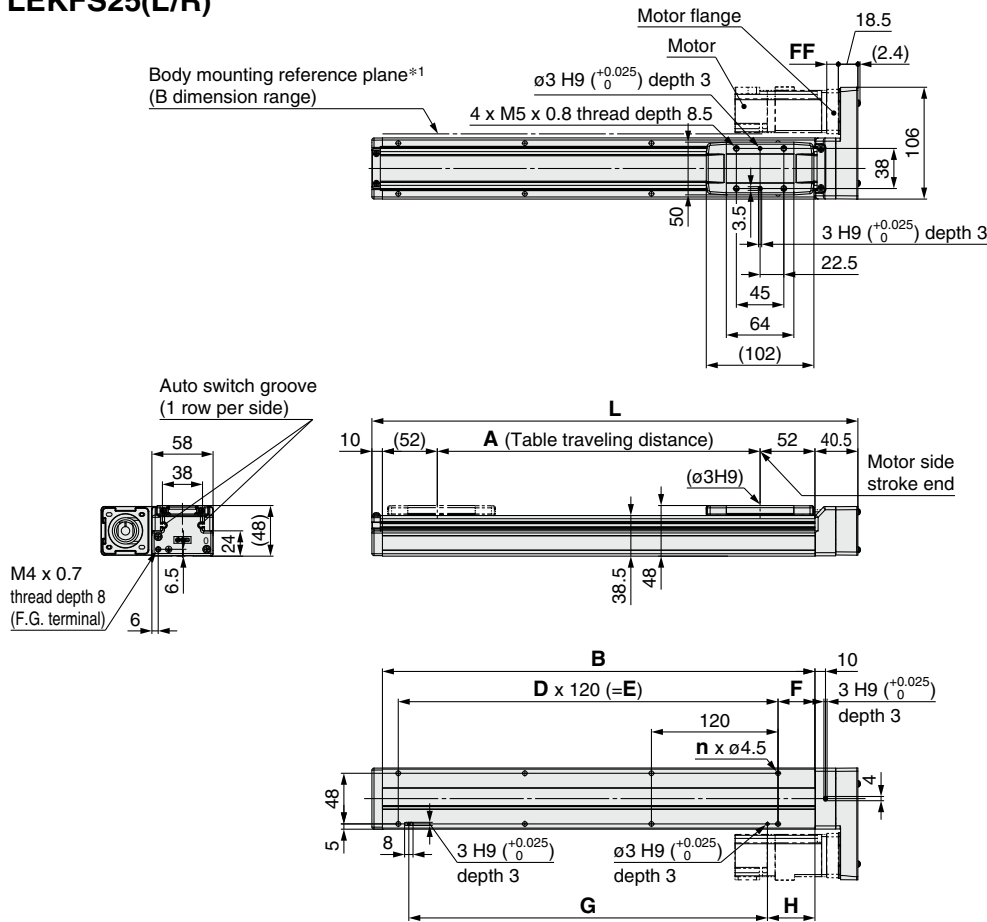
# LEKFS Series

Motorless Type

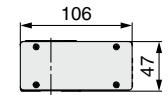
Refer to the "Motor Mounting" on page 25 for details about motor mounting and included parts.

## Dimensions: Ball Screw Drive

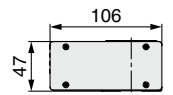
### LEKFS25(L/R)



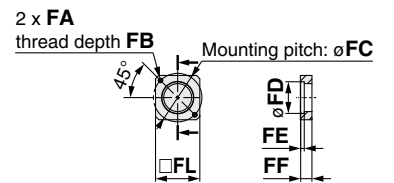
Motor mounting position: R



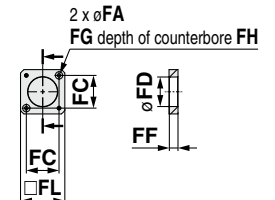
Motor mounting position: L



Mounting type: NZ/NY/NX

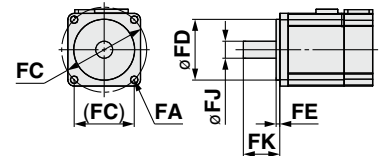


Mounting type: NM1/NM2/NM3



\*1 When mounting the actuator using the body mounting reference plane, set the height of the opposite surface or pin to be 3 mm or more. (Recommended height: 5 mm)

Applicable motor dimensions



### Dimensions

Stroke	L	A	B	n	D	E	F	G	H
50	210.5	56	160	4	—	—	20	100	30
100	260.5	106	210						
150	310.5	156	260	6	2	240	35	220	45
200	360.5	206	310						
250	410.5	256	360	8	3	360	35	340	45
300	460.5	306	410						
350	510.5	356	460	10	4	480	35	460	45
400	560.5	406	510						
450	610.5	456	560	12	5	600	35	580	45
500	660.5	506	610						
600	760.5	606	710	14	6	720	35	700	45
700	860.5	706	810						
800	960.5	806	910	16	7	840	35	820	45

### Motor Mounting, Applicable Motor Dimensions [mm]

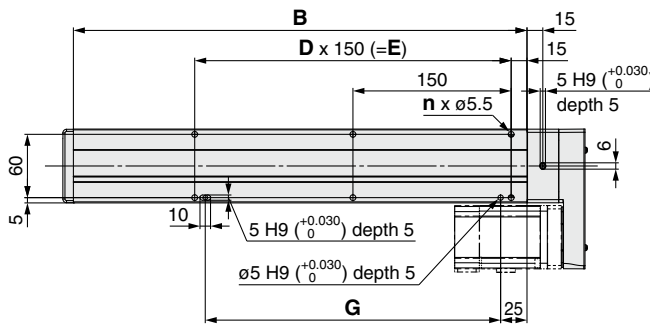
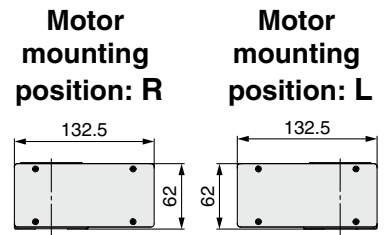
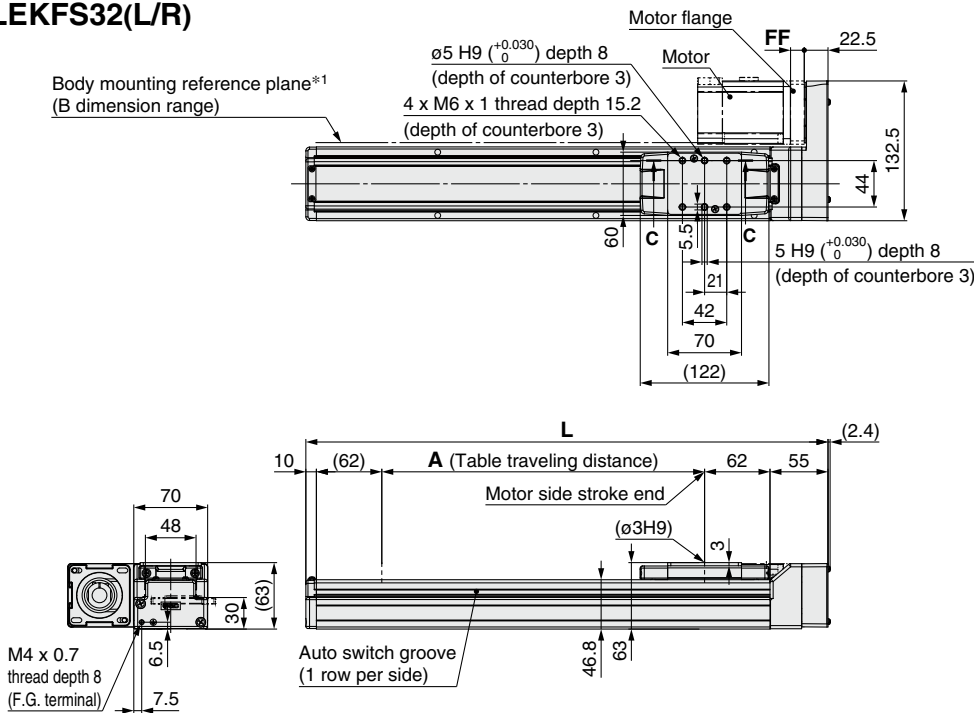
Mounting type	FA		FB	FC	FD	FE (Max.)	FF	FG	FH	FJ	FK	FL
	Mounting type	Applicable motor										
NZ	M4 x 0.7	3.4	7.5	31	30	3.7	11	—	—	8	25 ±1	42
NY	M3 x 0.5	3.4	5.5	31	30	5	11	—	—	8	25 ±1	38
NX	M4 x 0.7	4.5	7	31	30	3.7	8	—	—	8	18 ±1	42
NM1	3.4	M3	—	31	28	—	8.5	7	3.5	5*1	24 ±1	42
NM2	3.4	M3	—	31	28	—	8.5	7	3.5	6	20 ±1	42
NM3	3.4	M3	—	31	28	—	5.5	7	3.5	5*1	20 ±1	42

\*1 Shaft type: D-cut shaft

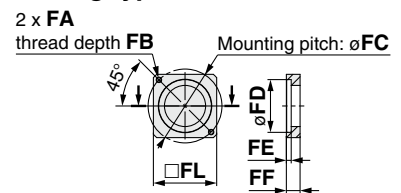
Refer to the "Motor Mounting" on page 25 for details about motor mounting and included parts.

**Dimensions: Ball Screw Drive**

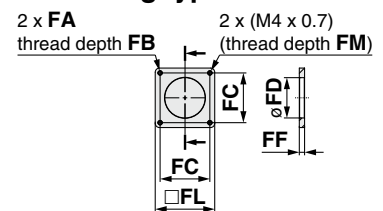
**LEKFS32(L/R)**



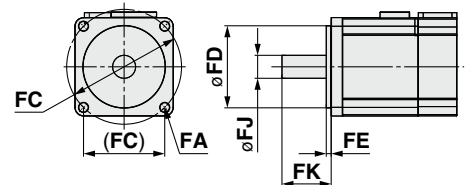
**Mounting type: NZ/NY/NW/NU/NT**



**Mounting type: NM1/NM2**



**Applicable motor dimensions**



\*1 When mounting the actuator using the body mounting reference plane, set the height of the opposite surface or pin to be 3 mm or more. (Recommended height: 5 mm)

**Dimensions [mm]**

Stroke	L	A	B	n	D	E	G
50	245	56	180	4	—	—	130
100	295	106	230				
150	345	156	280				
200	395	206	330	6	2	300	280
250	445	256	380				
300	495	306	430				
350	545	356	480	8	3	450	430
400	595	406	530				
450	645	456	580				
500	695	506	630	10	4	600	580
600	795	606	730				
700	895	706	830				
800	995	806	930	12	5	750	730
900	1095	906	1030				
1000	1195	1006	1130				
				14	6	900	880
				16	7	1050	1030

**Motor Mounting, Applicable Motor Dimensions [mm]**

Mounting type	FA		FB	FC	FD	FE (Max.)	FF	FJ	FK	FL	FM
	Mounting type	Applicable motor									
NZ	M5 x 0.8	ø5.8	8.5	ø70	50	4.6	13	14	30 ±1	60	—
NY	M4 x 0.7	ø4.5	8	ø70	50	4.6	13	11	30 ±1	60	—
NW	M5 x 0.8	ø5.8	8.5	ø70	50	4.6	13	9	25 ±1	60	—
NU	M5 x 0.8	ø5.8	8.5	ø70	50	4.6	10.6	11	23 ±1	60	—
NT	M5 x 0.8	ø5.8	8.5	ø70	50	4.6	17	12	30 ±1	60	—
NM1	M4 x 0.7	ø4.5	5	□47.14	38.2	—	5	6.35*1	20 ±1	56.4	5
NM2	M4 x 0.7	ø4.5	8	□50	38.2	—	11.5	10	24 ±1	60	7

\*1 Shaft type: D-cut shaft

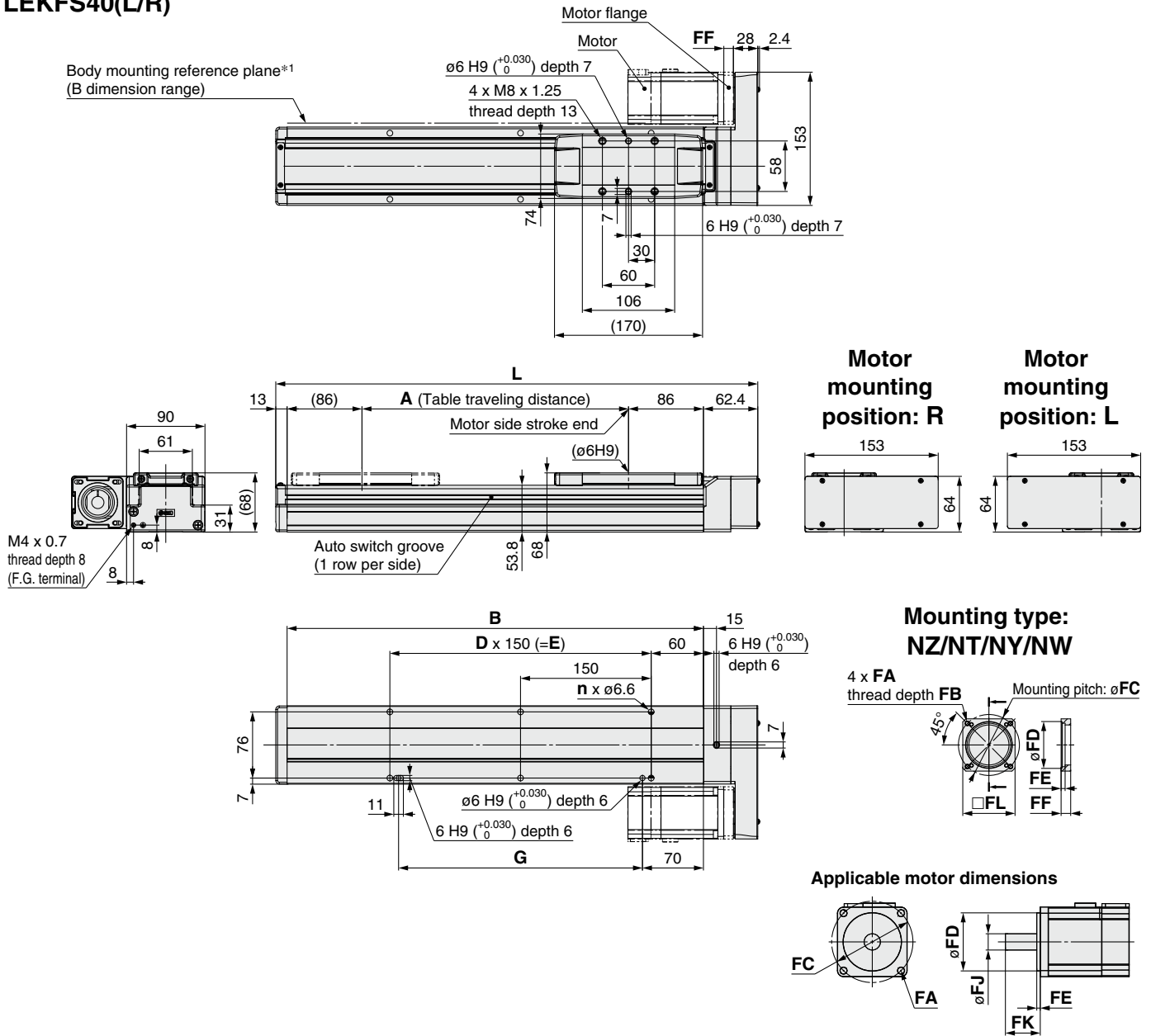
# LEKFS Series

Motorless Type

Refer to the "Motor Mounting" on page 25 for details about motor mounting and included parts.

## Dimensions: Ball Screw Drive

### LEKFS40(L/R)



### Dimensions

Stroke	L	A	B	n	D	E	G
150	403.4	156	328	4	—	150	130
200	453.4	206	378	6	2	300	280
250	503.4	256	428				
300	553.4	306	478	8	3	450	430
350	603.4	356	528				
400	653.4	406	578	10	4	600	580
450	703.4	456	628				
500	753.4	506	678	12	5	750	730
600	853.4	606	778				
700	953.4	706	878	14	6	900	880
800	1053.4	806	978				
900	1153.4	906	1078	16	7	1050	1030
1000	1253.4	1006	1178				
1100	1353.4	1106	1278	18	8	1200	1180
1200	1453.4	1206	1378				

\*1 When mounting the actuator using the body mounting reference plane, set the height of the opposite surface or pin to be 3 mm or more. (Recommended height: 5 mm)

### Motor Mounting, Applicable Motor Dimensions [mm]

Mounting type	FA		FB	FC	FD	FE (Max.)	FF	FJ	FK	FL
	Mounting type	Applicable motor								
NZ	M5 x 0.8	ø5.8	8.5	ø70	50	4.6	11	14	30 ±1	60
NY	M4 x 0.7	ø4.5	8	ø70	50	4.6	11	14	30 ±1	60
NW	M5 x 0.8	ø5.8	8.5	ø70	50	4.6	11	9	25 ±1	60
NT	M5 x 0.8	ø5.8	8.5	ø70	50	4.6	14.5	12	30 ±1	60

# Electric Actuator/High Rigidity and High Precision Slider Type **LEKFS Series**

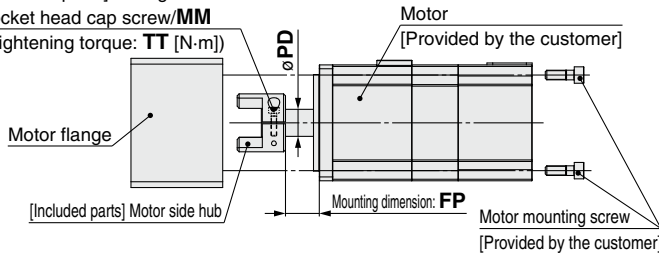
Motorless Type

- When mounting a hub/pulley, remove all oil content, dust, dirt, etc., adhered to the shaft and the inside of the hub/pulley beforehand.
- This product does not include the motor and motor mounting screws. (Provided by the customer)
- Prepare a motor with a round shaft end. For the "NM1" or "NM3," prepare a D-cut shaft.
- Take measures to prevent the loosening of the motor mounting screws and hexagon socket head set screws.

## Motor Mounting: In-line

### ■ Mounting type: NZ, NY, NX, NW, NV, NU, NT, NM2

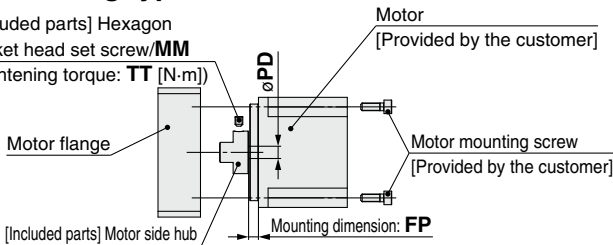
[Included parts] Hexagon socket head cap screw/MM  
(Tightening torque: TT [N·m])



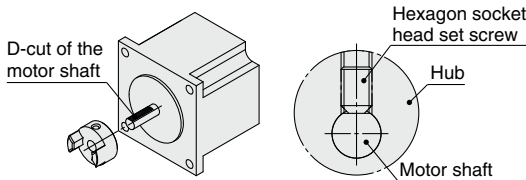
\* Note for mounting a motor to the NM2 mounting type  
Motor mounting screws for the LEKFS25 are fixed starting from the motor flange side. (Opposite of the drawing)

### ■ Mounting type: NM1

[Included parts] Hexagon socket head set screw/MM  
(Tightening torque: TT [N·m])



\* Note for mounting a hub to the NM1 mounting type  
When mounting the hub to the motor, make sure to position the set screw vertical to the D-cut surface of the motor shaft. (Refer to the figure shown below.)  
\* Motor mounting screws for the LEKFS25 are fixed starting from the motor flange side. (Opposite of the drawing)



### Size: 25 Hub Mounting Dimensions [mm]

Mounting type	MM	TT	PD	FP
NZ	M2.5 x 10	1.0	8	12.4
NY	M2.5 x 10	1.0	8	12.4
NX	M2.5 x 10	1.0	8	6.9
NM1	M3 x 4	0.63	5	11.9
NM2	M2.5 x 10	1.0	6	10

### Size: 32 Hub Mounting Dimensions [mm]

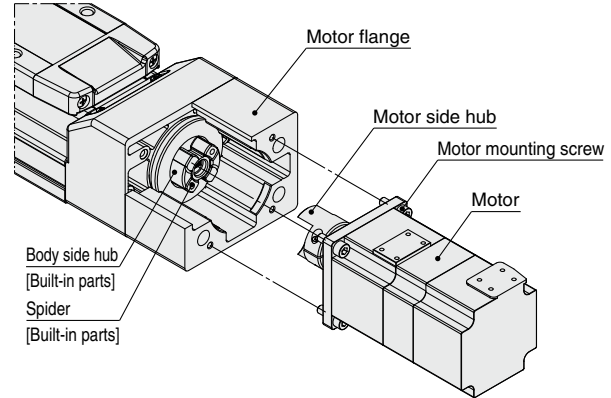
Mounting type	MM	TT	PD	FP
NZ	M3 x 12	1.5	14	17.5
NY	M4 x 12	2.5	11	17.5
NX	M4 x 12	2.5	9	5.2
NW	M4 x 12	2.5	9	13
NV	M4 x 12	2.5	9	5.2
NU	M4 x 12	2.5	11	13
NT	M3 x 12	1.5	12	17.5
NM1	M4 x 5	1.5	6.35	5.4
NM2	M4 x 12	2.5	10	12

### Size: 40 Hub Mounting Dimensions [mm]

Mounting type	MM	TT	PD	FP
NZ	M3 x 12	1.5	14	17.5
NY	M3 x 12	1.5	14	17.5
NX	M4 x 12	2.5	9	5.2
NW	M4 x 12	2.5	9	13
NV	M4 x 12	2.5	9	5.2
NU	M4 x 12	2.5	11	13
NT	M3 x 12	1.5	12	17.5
NM1	M4 x 5	1.5	6.35	5.1
NM2	M4 x 12	2.5	10	12

## Motor Mounting Diagram

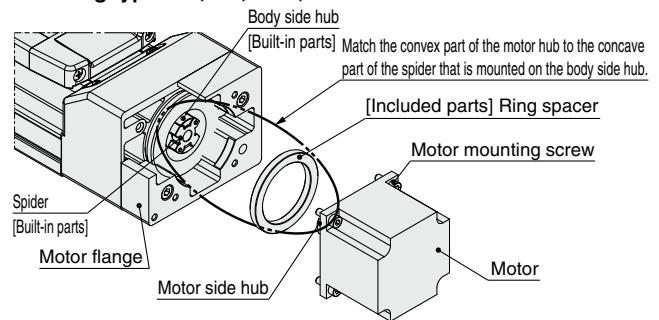
### Mounting type: NZ, NY, NW, NU, NT



### Mounting procedure

- 1) Secure the motor hub to the motor (provided by the customer) with the MM hexagon socket head cap screw.
- 2) Check the motor hub position, and then insert it. (Refer to the mounting diagram.)
- 3) Secure the motor to the motor flange with the motor mounting screws (provided by the customer).

### Mounting type: NX, NV, NM1, NM2



### Mounting procedure

- 1) Secure the motor hub to the motor (provided by the customer) with the MM hexagon socket head cap screw (Mounting type: NX, NV, NM2) or MM hexagon socket head set screw (Mounting type: NM1).
- 2) Check the motor hub position, and then insert it. (Refer to the mounting diagram.)
- 3) Mount the ring spacer to the motor.
- 4) Secure the motor to the motor flange with the motor mounting screws (provided by the customer).  
\* For the LEKFS25
- 4) Remove the motor flange, which has been temporarily mounted, from the housing B, and secure the motor to the motor flange using the motor mounting screws (that are to be prepared by the customer).
- 5) Tighten the motor flange to the housing B using motor flange mounting screws (included parts). (Tightening torque: 1.5 [N·m])

## Included Parts List

### Size: 25

Description	Quantity					
	Mounting type					
	NZ	NY	NX	NM1	NM2	
Motor side hub	1	1	1	1	1	
Hexagon socket head cap screw/set screw (to secure the hub)*1	1	1	1	1	1	
Hexagon socket head cap screw M4 x 18 (to secure the motor flange)	—	—	—	2	2	
Ring spacer	—	—	—	1	1	

\*1 For screw sizes, refer to the hub mounting dimensions.

### Size: 32, 40

Description	Quantity											
	Mounting type											
	NZ	NY	NX	NW	NV	NU	NT	NM1	NM2			
Motor side hub	1	1	1	1	1	1	1	1	1	1	1	1
Hexagon socket head cap screw/set screw (to secure the hub)*1	1	1	1	1	1	1	1	1	1	1	1	1
Ring spacer	—	—	1	—	1	—	—	1	1	—	—	—

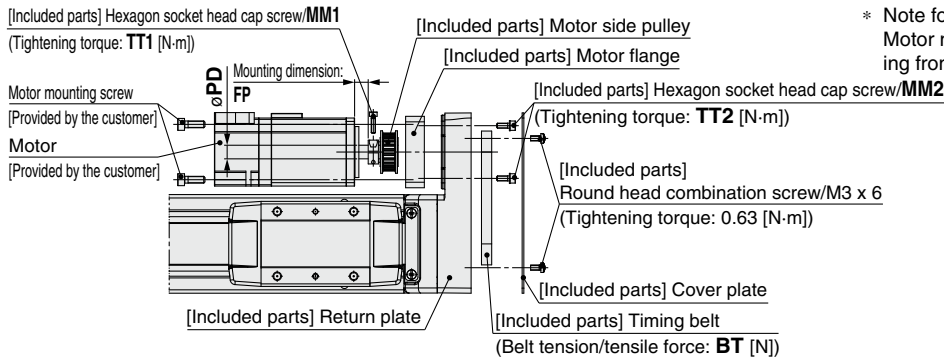
\*1 For screw sizes, refer to the hub mounting dimensions.

# LEKFS Series

Motorless Type

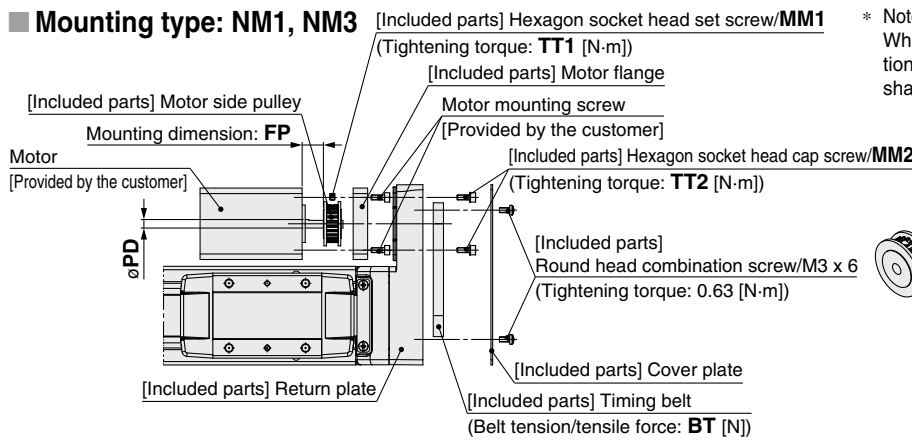
## Motor Mounting: Motor Parallel

### ■ Mounting type: NZ, NY, NX, NW, NU, NT, NM2

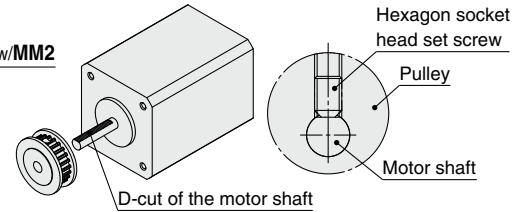


\* Note for mounting a motor to the NM2 mounting type  
Motor mounting screws for the LEKFS25 are fixed starting from the motor flange side. (Opposite of the drawing)

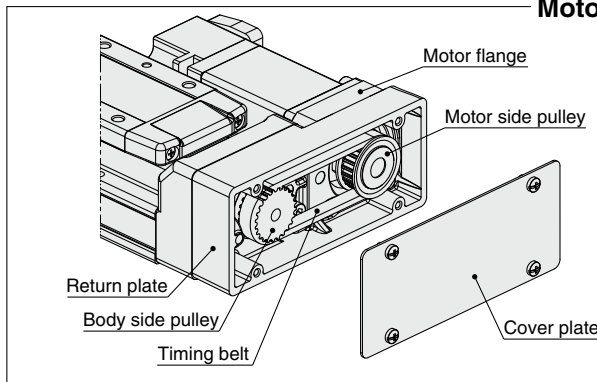
### ■ Mounting type: NM1, NM3



\* Note for mounting a pulley to the NM1 and NM3 mounting type  
When mounting the pulley to the motor, make sure to position the set screw vertical to the D-cut surface of the motor shaft. (Refer to the figure shown below.)



## Motor Mounting Diagram



### Mounting procedure

- 1) Secure the motor side pulley to the motor (provided by the customer) with the MM1 hexagon socket head cap screw. For mounting type "NM1/NM3", secure them with the MM1 hexagon socket head set screw.
- 2) Secure the motor to the motor flange with the motor mounting screws (provided by the customer).
- 3) Put the timing belt on the motor side pulley and body side pulley, and then secure it temporarily with the hexagon socket head cap screws (2 x MM2). (Refer to the left diagram.)
- 4) Apply the belt tension and tighten the timing belt with the hexagon socket head cap screws (2 x MM2).
- 5) Secure the return plate with the round head combination screws (4 x M3 x 6).

### Size: 25 Pulley Mounting Dimensions [mm]

Mounting type	MM1	TT1	MM2	TT2	PD	FP	BT
NZ/NY	M2.5 x 10	1.0	M3 x 8	0.63	8	8	19.6
NX	M2.5 x 10	1.0	M3 x 8	0.63	8	5	19.6
NM1	M3 x 5	0.63	M3 x 8	0.63	5	12.5	19.6
NM2	M2.5 x 10	1.0	M3 x 8	0.63	6	5.5	19.6
NM3	M3 x 5	0.63	M3 x 8	0.63	5	9.5	19.6

### Size: 32 Pulley Mounting Dimensions [mm]

Mounting type	MM1	TT1	MM2	TT2	PD	FP	BT
NZ	M3 x 12	1.5	M4 x 12	1.5	14	6.6	49
NY	M3 x 12	1.5	M4 x 12	1.5	11	6.6	49
NW	M4 x 12	2.5	M4 x 12	1.5	9	6.6	49
NU	M3 x 12	1.5	M4 x 12	1.5	11	4.2	49
NT	M3 x 12	1.5	M4 x 12	1.5	12	10.6	49
NM1	M3 x 4	0.63	M4 x 12	1.5	6.35	10.6	49
NM2	M3 x 12	1.5	M4 x 12	1.5	10	5.1	49

### Size: 40 Pulley Mounting Dimensions [mm]

Mounting type	MM1	TT1	MM2	TT2	PD	FP	BT
NZ/NY	M4 x 12	2.5	M4 x 12	1.5	14	4.5	98.1
NW	M4 x 12	2.5	M4 x 12	1.5	9	4.5	98.1
NT	M4 x 12	2.5	M4 x 12	1.5	12	8	98.1

## Included Parts List

### Size: 25

Description	Quantity
Motor flange	1
Motor side pulley	1
Cover plate	1
Timing belt	1
Hexagon socket head cap screw/set screw (to secure the pulley)*1	1
Hexagon socket head cap screw*1 (to secure the motor flange)	2
Round head combination screw M3 x 6	4

\*1 For screw sizes, refer to the pulley mounting dimensions.

### Size: 32, 40

Description	Quantity	
	32	40
Motor flange	1	1
Motor side pulley	1	1
Cover plate	1	1
Timing belt	1	1
Hexagon socket head cap screw/set screw (to secure the pulley)*1	1	1
Hexagon socket head cap screw*1 (to secure the motor flange)	2	4
Round head combination screw M3 x 6	4	4

\*1 For screw sizes, refer to the pulley mounting dimensions.



# LEKFS Series Motor Mounting Parts

## Motor Flange Option

A motor can be added to the motorless specification after purchase. The applicable mounting types are shown below. (Except NM1 and NM3)  
Use the following part numbers to select a compatible motor flange option and place an order.

\* The motor flange option is the same as that of the LEFS series.

## How to Order

LEFS-MF **25** **□** - **NZ**

Ball screw drive ●

① ② ③

### ① Size

25	For LEF□25
32	For LEF□32
40	For LEF□40

### ② Motor mounting position

Nil	In-line
P	(Right side/Left side) parallel

### ③ Mounting type

NZ	NV
NY	NU
NX	NT
NW	NM2

\* Select only NZ, NY, NX or NM2 for the LEFS-MF25.

## Compatible Motors and Mounting Types\*5

Applicable motor model		Size/Mounting type															
Manufacturer	Series	25						32/40									
		NZ	NY	NX	NM1	NM2	NM3	NZ	NY	NX	NW	NV	NU	NT	NM1	NM2	
Mitsubishi Electric Corporation	MELSERVO JN/J4/J5	●	—	—	—	—	—	●	—	—	—	—	—	—	—	—	—
YASKAWA Electric Corporation	Σ-V/7/X	●*4	—	—	—	—	—	●	—	—	—	—	—	—	—	—	—
SANYO DENKI CO., LTD.	SANMOTION R	●	—	—	—	—	—	●	—	—	—	—	—	—	—	—	—
OMRON Corporation	OMNUC G5/1S	●	—	—	—	—	—	—	●	—	—	—	—	—	—	—	—
Panasonic Corporation	MINAS A5/A6	● (MHMF only)	●	—	—	—	—	—	●	—	—	—	—	—	—	—	—
FANUC CORPORATION	βis (-B)	●	—	—	—	—	—	● (β1 only)	—	—	●	—	—	—	—	—	—
NIDEC SANKYO CORPORATION	S-FLAG	●	—	—	—	—	—	●	—	—	—	—	—	—	—	—	—
KEYENCE CORPORATION	SV/SV2	●*4	—	—	—	—	—	●	—	—	—	—	—	—	—	—	—
FUJI ELECTRIC CO., LTD.	ALPHA7	●	—	—	—	—	—	●	—	—	—	—	—	—	—	—	—
MinebeaMitsumi Inc.	Hybrid stepping motors	—	—	—	●*1	—	●*3	—	—	—	—	—	—	—	—	—	●*2
Shinano Kenshi Co., Ltd.	CSB-BZ	—	—	—	●*1	—	●*3	—	—	—	—	—	—	—	—	—	—
ORIENTAL MOTOR Co., Ltd.	α STEP AR/AZ	—	—	—	—	● (46 only)	—	—	—	—	—	—	—	—	—	—	●*2
FASTECH Co., Ltd.	Ezi-SERVO	—	—	—	●	—	—	—	—	—	—	—	—	—	—	—	●*2
Rockwell Automation, Inc. (Allen-Bradley)	Kinetix MP/VP/TL	● (TL only)	—	—	—	—	—	—	—	●*1 (MP/VP only)	—	—	—	—	● (TL only)	—	—
Beckhoff Automation GmbH	AM 30/31/80/81	●	—	—	—	—	—	—	—	●*1 (80/81 only)	—	●*1 (30 only)	●*2 (31 only)	—	—	—	—
Siemens AG	SIMOTICS S-1FK7	—	—	●	—	—	—	—	—	●*1	—	—	—	—	—	—	—
Delta Electronics, Inc.	ASDA-A2	●	—	—	—	—	—	●	—	—	—	—	—	—	—	—	—
ANCA Motion	AMD2000	●	—	—	—	—	—	●	—	—	—	—	—	—	—	—	—

\* When the LEF□□□□<sup>NM1</sup>□□□□<sup>NM3</sup>□□ is purchased, it is not possible to change to other mounting types.

\*1 Motor mounting position: In-line only

\*2 Only size 32 is available when the motor mounting position is right (or left) side parallel.

\*3 Motor mounting position: Right (or left) side parallel only

\*4 For some motors, the connector may protrude from the motor body. Be sure to check for interference with the mounting surface before selecting a motor.

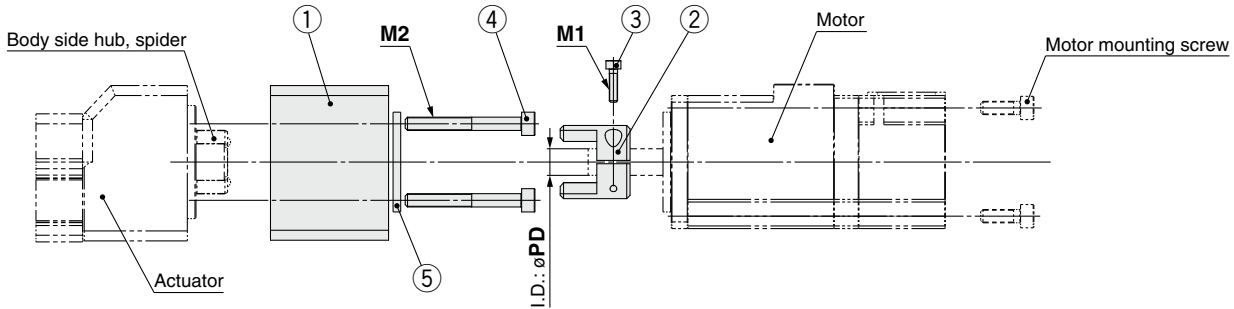
\*5 The compatible motors and mounting types are typical examples. Select the mounting type after referring to the "Motor Mounting, Applicable Motor Dimensions" tables on the following actuator body "Dimensions" pages.



# LEKFS Series

## Dimensions: Motor Flange Option

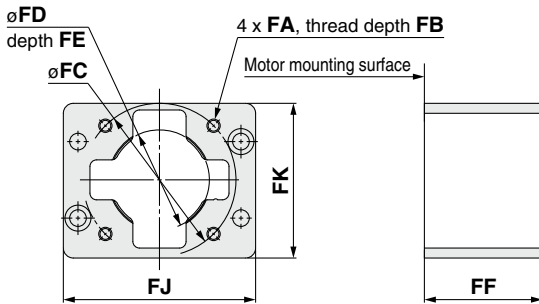
### Motor mounting position: In-line



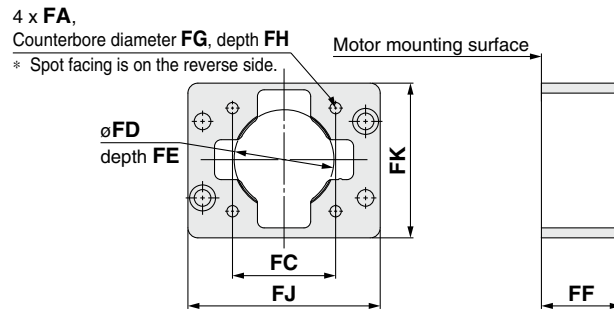
### Component Parts

No.	Description	Quantity
1	Motor flange	1
2	Hub (Motor side)	1
3	Hexagon socket head cap screw (to secure the hub)	1
4	Hexagon socket head cap screw (to mount the motor flange)	2
5	Ring spacer (Only for mounting types "NM2" in size 25 and "NX," "NV," and "NM2" in sizes 32 and 40)	1

### Motor flange details



### For NM2



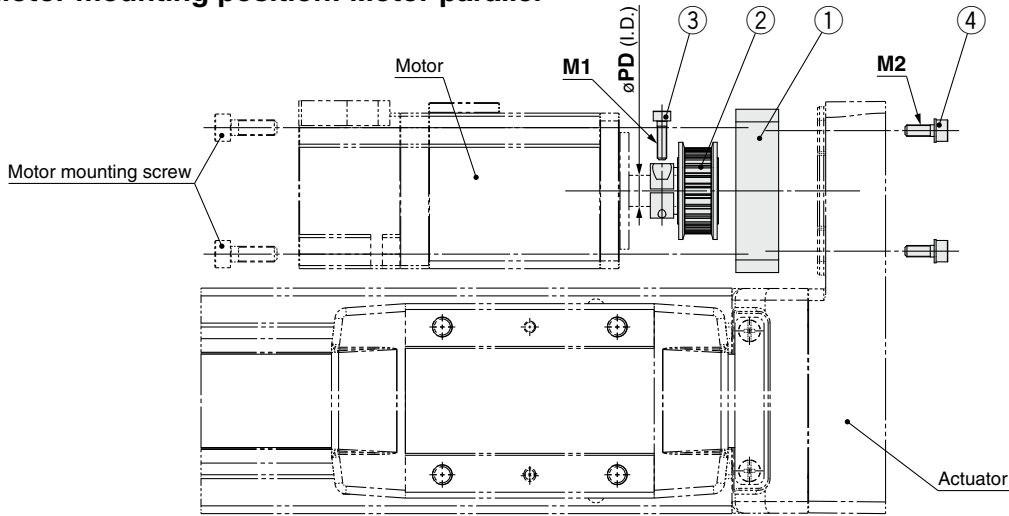
### Dimensions

Size	Mounting type	FA	FB	FC	FD	FE	FF	FG	FH	FJ	FK	M1	M2	PD
25	NZ/NX	M4 x 0.7	8	46	30	3.5	35.5	—	—	57.8	46.5	M2.5 x 10	M4 x 35	8
	NY	M3 x 0.5	8	45	30	3.5	35.5	—	—	57.8	46.5	M2.5 x 10	M4 x 35	8
	NM2	ø3.4	—	31	22*1	2.5*1	33.1	6.5	22.6	57.8	46.5	M2.5 x 10	M4 x 18	6
32	NZ	M5 x 0.8	9	70	50	5	46	—	—	69.8	61.4	M3 x 12	M5 x 40	14
	NY	M4 x 0.7	8	70	50	5	46	—	—	69.8	61.4	M4 x 12	M5 x 40	11
	NX	M5 x 0.8	9	63	40*1	5	49.7	—	—	69.8	61.4	M4 x 12	M5 x 40	9
	NW	M5 x 0.8	9	70	50	5	47.5	—	—	69.8	61.4	M4 x 12	M5 x 40	9
	NV	M4 x 0.7	8	63	40*1	5	49.7	—	—	69.8	61.4	M4 x 12	M5 x 40	9
	NU	M5 x 0.8	9	70	50	5	47.5	—	—	69.8	61.4	M4 x 12	M5 x 40	11
	NT	M5 x 0.8	9	70	50	5	46	—	—	69.8	61.4	M3 x 12	M5 x 40	12
40	NM2	M4 x 0.7	8	50	36*1	4.5*1	40.1	—	—	69.8	61.4	M4 x 12	M5 x 25	10
	NZ	M5 x 0.8	9	70	50	5	47.5	—	—	89.8	66.9	M3 x 12	M5 x 40	14
	NY	M4 x 0.7	8	70	50	5	47.5	—	—	89.8	66.9	M3 x 12	M5 x 40	14
	NX	M5 x 0.8	9	63	40*1	5	51	—	—	89.8	66.9	M4 x 12	M5 x 40	9
	NW	M5 x 0.8	9	70	50	5	48.8	—	—	89.8	66.9	M4 x 12	M5 x 40	9
	NV	M4 x 0.7	8	63	40*1	5	51	—	—	89.8	66.9	M4 x 12	M5 x 40	9
	NU	M5 x 0.8	9	70	50	5	48.8	—	—	89.8	66.9	M4 x 12	M5 x 40	11
40	NT	M5 x 0.8	9	70	50	5	47.5	—	—	89.8	66.9	M3 x 12	M5 x 40	12
	NM2	M4 x 0.7	8	50	36*1	4.5*1	41.4	—	—	89.8	66.9	M4 x 12	M5 x 25	10

\*1 Dimensions after mounting a ring spacer

**Dimensions: Motor Flange Option**

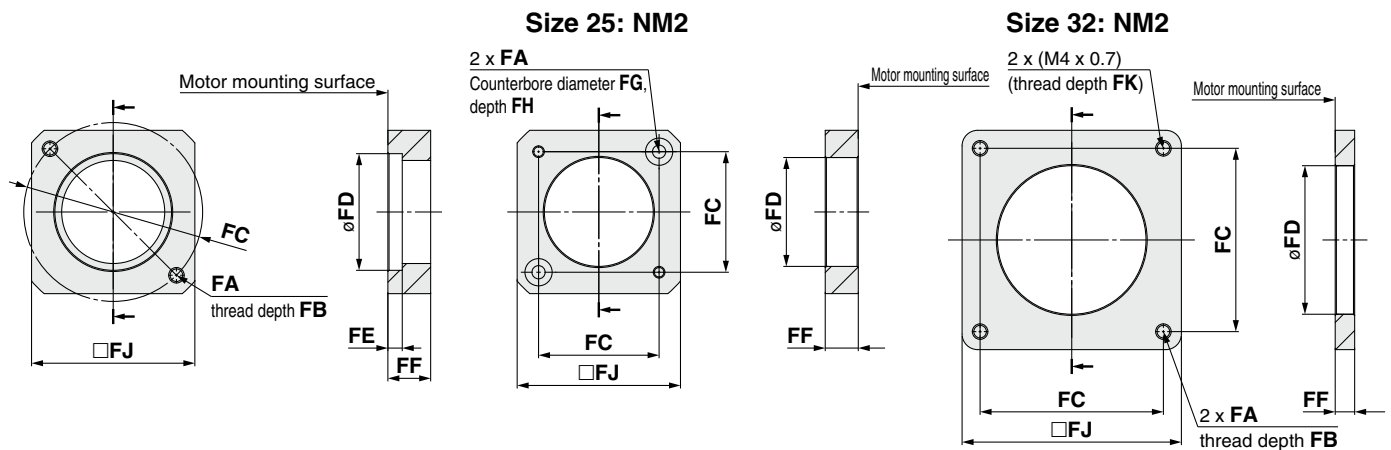
Motor mounting position: Motor parallel



**Component Parts**

No.	Description	Quantity	
		25, 32	40
1	Motor flange	1	1
2	Motor pulley	1	1
3	Hexagon socket head cap screw (to secure the pulley)	1	1
4	Hexagon socket head cap screw (to mount the motor flange)	2	4

**Motor flange details**

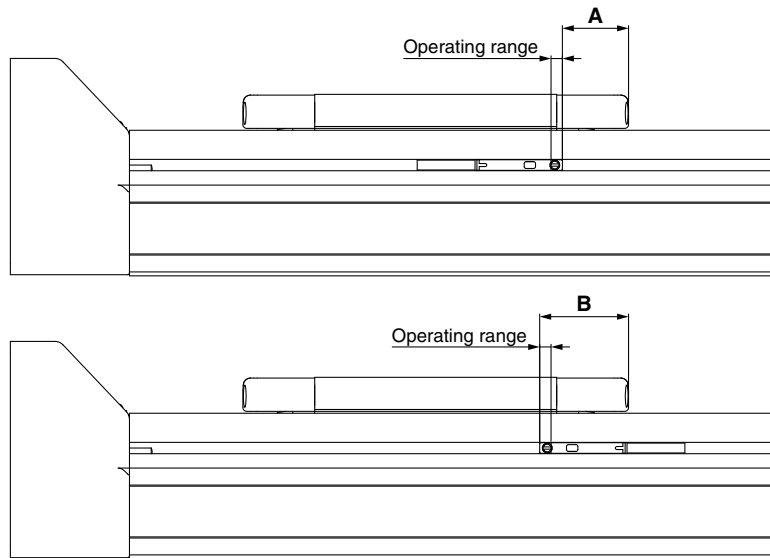


**Dimensions**

Size	Mounting type	FA	FB	FC	FD	FE	FF	FG	FH	FJ	FK	M1	M2	PD
25	NZ	2 x M4 x 0.7	7.5	46	30	3.7	11	—	—	42	—	M2.5 x 10	M3 x 8	8
	NY	2 x M3 x 0.5	5.5	45	30	5	11	—	—	38	—	M2.5 x 10	M3 x 8	8
	NX	2 x M4 x 0.7	7	46	30	3.7	8	—	—	42	—	M2.5 x 10	M3 x 8	8
	NM2	ø3.4	—	31	28	—	8.5	7	3.5	42	—	M2.5 x 10	M3 x 8	6
32	NZ	2 x M5 x 0.8	8.5	70	50	4.6	13	—	—	60	—	M3 x 12	M4 x 12	14
	NY	2 x M4 x 0.7	8	70	50	4.6	13	—	—	60	—	M3 x 12	M4 x 12	11
	NW	2 x M5 x 0.8	8.5	70	50	4.6	13	—	—	60	—	M4 x 12	M4 x 12	9
	NU	2 x M5 x 0.8	8.5	70	50	4.6	10.6	—	—	60	—	M3 x 12	M4 x 12	11
	NT	2 x M5 x 0.8	8.5	70	50	4.6	17	—	—	60	—	M3 x 12	M4 x 12	12
40	NM2	M4 x 0.7	8	50	38.2	—	11.5	—	—	60	7	M3 x 12	M4 x 12	10
	NZ	4 x M5 x 0.8	8.5	70	50	4.6	11	—	—	60	—	M4 x 12	M4 x 12	14
	NY	4 x M4 x 0.7	8	70	50	4.6	11	—	—	60	—	M4 x 12	M4 x 12	14
	NW	4 x M5 x 0.8	8.5	70	50	4.6	11	—	—	60	—	M4 x 12	M4 x 12	9
	NT	4 x M5 x 0.8	8.5	70	50	4.6	14.5	—	—	60	—	M4 x 12	M4 x 12	12

# LEKFS Series Auto Switch Mounting

## Auto Switch Mounting Position



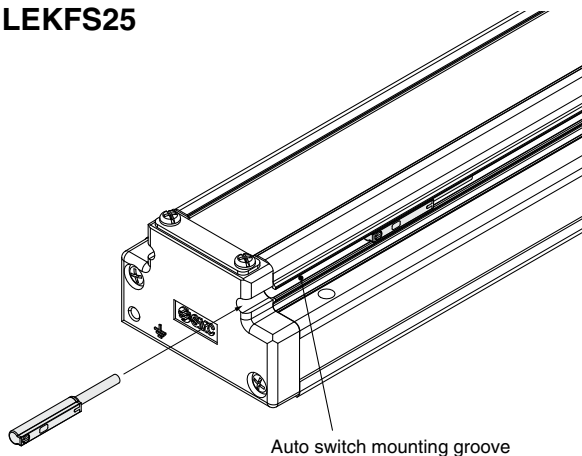
**Table 1 Auto switch mounting dimensions** [mm]

Model	Size	A	B	Operating range
LEKFS	25	17.5	23.5	3.0
	32	26.3	32.3	3.4
	40	32.2	38.2	3.6

- \* The applicable auto switch is D-M9 (N/P/B) (W) (M/L/Z).
- \* The operating range is a guideline including hysteresis, not meant to be guaranteed. There may be large variations depending on the ambient environment.
- \* Adjust the auto switch after confirming the operating conditions in the actual setting.

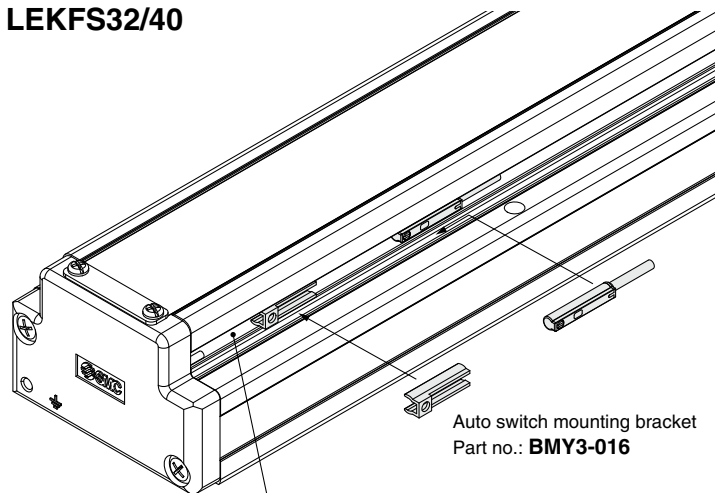
## Auto Switch Mounting

### LEKFS25



Auto switch mounting groove

### LEKFS32/40



Auto switch mounting bracket  
Part no.: **BMY3-016**

Auto switch mounting groove

Auto Switch Mounting Screw

Tightening torque [N·m]
0.1 to 0.15

- \* The applicable auto switch is D-M9 (N/P/B) (W) (M/L/Z).
- \* Tighten the auto switch mounting screws (provided together with the auto switch), using a precision screwdriver with a handle diameter of approximately 5 to 6 mm.
- \* Prepare an auto switch mounting bracket (BMY3-016) when mounting the auto switch on to the LEKFS32/40.

# Solid State Auto Switch Direct Mounting Type D-M9N/D-M9P/D-M9B



Refer to the SMC website for details on products that are compliant with international standards.

## Grommet

- 2-wire load current is reduced (2.5 to 40 mA).
- Using flexible cable as standard spec.



## Caution

### Precautions

Fix the auto switch with the existing screw installed on the auto switch body. The auto switch may be damaged if a screw other than the one supplied is used.

## Auto Switch Specifications

PLC: Programmable Logic Controller

D-M9□, D-M9□V (With indicator light)			
Auto switch model	D-M9N	D-M9P	D-M9B
Electrical entry direction	In-line		
Wiring type	3-wire		2-wire
Output type	NPN	PNP	—
Applicable load	IC circuit, Relay, PLC		24 VDC relay, PLC
Power supply voltage	5, 12, 24 VDC (4.5 to 28 V)		—
Current consumption	10 mA or less		—
Load voltage	28 VDC or less	—	24 VDC (10 to 28 VDC)
Load current	40 mA or less		2.5 to 40 mA
Internal voltage drop	0.8 V or less at 10 mA (2 V or less at 40 mA)		4 V or less
Leakage current	100 μA or less at 24 VDC		0.8 mA or less
Indicator light	Red LED illuminates when turned ON.		
Standards	CE/UKCA marking, RoHS		

## Oilproof Flexible Heavy-duty Lead Wire Specifications

Auto switch model		D-M9N	D-M9P	D-M9B
Sheath	Outside diameter [mm]	2.6		
Insulator	Number of cores	3 cores (Brown/Blue/Black)		2 cores (Brown/Blue)
	Outside diameter [mm]	0.88		
Conductor	Effective area [mm <sup>2</sup> ]	0.15		
	Strand diameter [mm]	0.05		
Min. bending radius [mm] (Reference values)		17		

- \* Refer to the **Web Catalog** for solid state auto switch common specifications.
- \* Refer to the **Web Catalog** for lead wire lengths.

## Weight

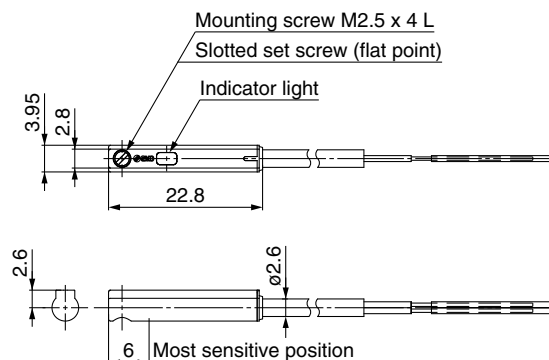
[g]

Auto switch model		D-M9N	D-M9P	D-M9B
Lead wire length	0.5 m (Nil)	8	7	7
	1 m (M)	14	13	13
	3 m (L)	41	38	38
	5 m (Z)	68	63	63

## Dimensions

[mm]

### D-M9□



# Normally Closed Solid State Auto Switch Direct Mounting Type D-M9NE(V)/D-M9PE(V)/D-M9BE(V)



Refer to the SMC website for details on products that are compliant with international standards.

## Auto Switch Specifications

PLC: Programmable Logic Controller

D-M9□E, D-M9□EV (With indicator light)						
Auto switch model	D-M9NE	D-M9NEV	D-M9PE	D-M9PEV	D-M9BE	D-M9BEV
Electrical entry direction	In-line	Perpendicular	In-line	Perpendicular	In-line	Perpendicular
Wiring type	3-wire				2-wire	
Output type	NPN		PNP		—	
Applicable load	IC circuit, Relay, PLC				24 VDC relay, PLC	
Power supply voltage	5, 12, 24 VDC (4.5 to 28 V)				—	
Current consumption	10 mA or less				—	
Load voltage	28 VDC or less		—		24 VDC (10 to 28 VDC)	
Load current	40 mA or less				2.5 to 40 mA	
Internal voltage drop	0.8 V or less at 10 mA (2 V or less at 40 mA)				4 V or less	
Leakage current	100 μA or less at 24 VDC				0.8 mA or less	
Indicator light	Red LED illuminates when turned ON.					
Standards	CE/UKCA marking, RoHS					

### Grommet

- Output signal turns on when no magnetic force is detected.
- Can be used for the actuator adopted by the solid state auto switch D-M9 series (excluding special order products)



## Oilproof Flexible Heavy-duty Lead Wire Specifications

Auto switch model	D-M9NE(V)	D-M9PE(V)	D-M9BE(V)
Sheath	Outside diameter [mm] 2.6		
Insulator	Number of cores 3 cores (Brown/Blue/Black)		2 cores (Brown/Blue)
	Outside diameter [mm] 0.88		
Conductor	Effective area [mm <sup>2</sup> ] 0.15		
	Strand diameter [mm] 0.05		
Min. bending radius [mm] (Reference values) 17			

- \* Refer to the **Web Catalog** for solid state auto switch common specifications.
- \* Refer to the **Web Catalog** for lead wire lengths.

### Caution

#### Precautions

Fix the auto switch with the existing screw installed on the auto switch body. The auto switch may be damaged if a screw other than the one supplied is used.

## Weight

[g]

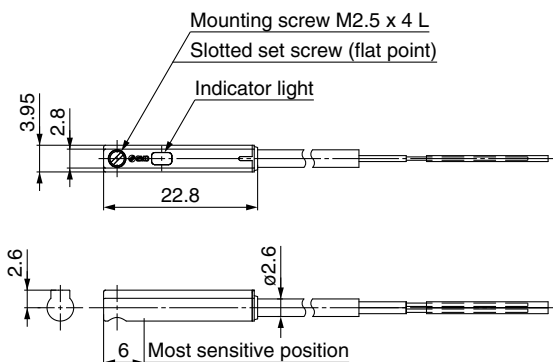
Auto switch model	D-M9NE(V)	D-M9PE(V)	D-M9BE(V)
Lead wire length	0.5 m (Nil)	8	7
	1 m (M)*1	14	13
	3 m (L)	41	38
	5 m (Z)*1	68	63

\*1 The 1 m and 5 m options are produced upon receipt of order.

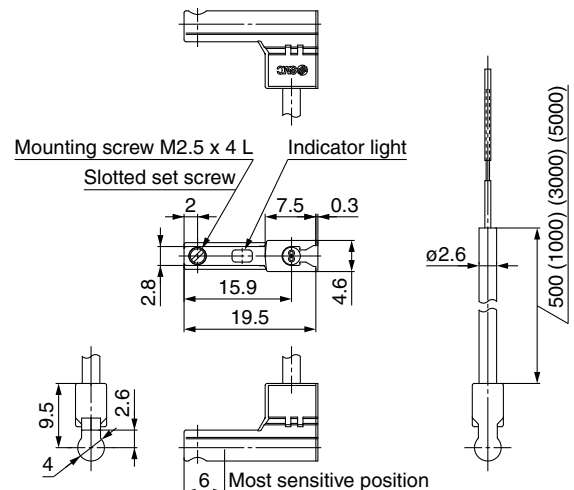
## Dimensions

[mm]

### D-M9□E



### D-M9□EV



# 2-Color Indicator Solid State Auto Switch Direct Mounting Type

## D-M9NW/D-M9PW/D-M9BW



Refer to the SMC website for details on products that are compliant with international standards.

PLC: Programmable Logic Controller

### Grommet

- 2-wire load current is reduced (2.5 to 40 mA).
- Using flexible cable as standard spec.
- The proper operating range can be determined by the color of the light. (Red → Green ← Red)



### Caution

#### Precautions

Fix the auto switch with the existing screw installed on the auto switch body. The auto switch may be damaged if a screw other than the one supplied is used.

### Auto Switch Specifications

D-M9□W, D-M9□WV (With indicator light)			
Auto switch model	D-M9NW	D-M9PW	D-M9BW
Electrical entry direction	In-line		
Wiring type	3-wire		2-wire
Output type	NPN	PNP	—
Applicable load	IC circuit, Relay, PLC		24 VDC relay, PLC
Power supply voltage	5, 12, 24 VDC (4.5 to 28 V)		—
Current consumption	10 mA or less		
Load voltage	28 VDC or less	—	24 VDC (10 to 28 VDC)
Load current	40 mA or less		2.5 to 40 mA
Internal voltage drop	0.8 V or less at 10 mA (2 V or less at 40 mA)		4 V or less
Leakage current	100 μA or less at 24 VDC		0.8 mA or less
Indicator light	Operating range ..... Red LED illuminates. Proper operating range ..... Green LED illuminates.		
Standards	CE/UKCA marking, RoHS		

### Oilproof Flexible Heavy-duty Lead Wire Specifications

Auto switch model		D-M9NW	D-M9PW	D-M9BW
Sheath	Outside diameter [mm]	2.6		
Insulator	Number of cores	3 cores (Brown/Blue/Black)		2 cores (Brown/Blue)
	Outside diameter [mm]	0.88		
Conductor	Effective area [mm <sup>2</sup> ]	0.15		
	Strand diameter [mm]	0.05		
Min. bending radius [mm] (Reference values)		17		

- \* Refer to the **Web Catalog** for solid state auto switch common specifications.
- \* Refer to the **Web Catalog** for lead wire lengths.

### Weight

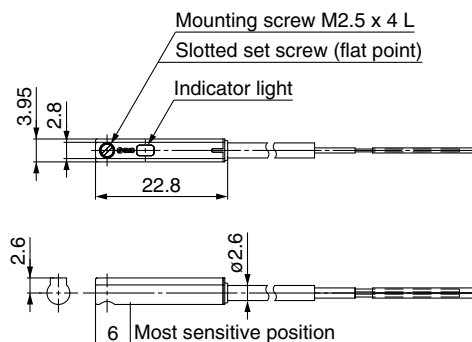
[g]

Auto switch model		D-M9NW	D-M9PW	D-M9BW
Lead wire length	0.5 m (Nil)	8	—	7
	1 m (M)	14	—	13
	3 m (L)	41	—	38
	5 m (Z)	68	—	63

### Dimensions

[mm]

#### D-M9□W



Model Selection

LEKFS

LEFS

LEFB

LEJS

LET-X11

LEY

LEYG

LESYH

Motor Mounting



# LEKFS Series Specific Product Precautions 1

Be sure to read this before handling the products. Refer to the back cover for safety instructions. For electric actuator and auto switch precautions, refer to the “Handling Precautions for SMC Products” and the “Operation Manual” on the SMC website: <https://www.smcworld.com>

## Design

### ⚠ Caution

- 1. Do not apply a load in excess of the specification limits.**  
Select a suitable actuator by work load and allowable moment. If a load in excess of the specification limits is applied to the guide, adverse effects such as the generation of play in the guide, reduced accuracy, or reduced service life of the product may occur.
- 2. Do not use the product in applications where excessive external force or impact force is applied to it.**  
This can cause a malfunction.

## Selection

### ⚠ Warning

- 1. Do not increase the speed in excess of the specification limits.**  
Select a suitable actuator by the relationship of the allowable work load and speed, and the allowable speed of each stroke. If the product is used outside of the specification limits, adverse effects such as the generation of noise, reduced accuracy, or reduced service life of the product may occur.
- 2. Do not use the product in applications where excessive external force or impact force is applied to it.**  
This can cause a malfunction.
- 3. When the product repeatedly cycles with partial strokes (see the table below), operate it at a full stroke at least once every few dozens of cycles.**  
Failure to do so may result in the product running out of lubrication.

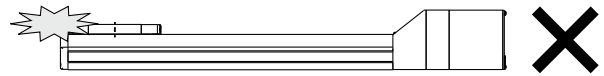
Model	Partial stroke
LEKFS□25	65 mm or less
LEKFS□32	70 mm or less
LEKFS□40	105 mm or less

- 4. When external force is to be applied to the table, it is necessary to add the external force to the work load as the total carried load when selecting a size.**  
When a cable duct or flexible moving tube is attached to the actuator, the sliding resistance of the table will increase, which may lead to the malfunction of the product.
- 5. Depending on the shape of the motor to be mounted, some of the product’s interior parts (hub, spider, etc.) may be visible from the motor mounting surface. If this is undesirable, please contact your nearest sales office for details on options such as covers.**

## Handling

### ⚠ Caution

- 1. Never allow the table to collide with the stroke end.**  
When the driver parameters, origin or programs are set incorrectly, the table may collide with the stroke end of the actuator during operation. Be sure to check these points before use. If the table collides with the stroke end of the actuator, the guide, ball screw, belt, or internal stopper may break. This can result in abnormal operation.



Handle the actuator with care when it is used in the vertical direction as the workpiece will fall freely from its own weight.

- 2. The actual speed of this actuator is affected by the work load and stroke.**  
Check the model selection section of the catalog.
- 3. Do not apply a load, impact, or resistance in addition to the transferred load during return to origin.**
- 4. Do not dent, scratch, or cause other damage to the body or table mounting surfaces.**  
Doing so may cause unevenness in the mounting surface, play in the guide, or an increase in the sliding resistance.
- 5. Do not apply strong impact or an excessive moment while mounting a workpiece.**  
If an external force over the allowable moment is applied, it may cause play in the guide or an increase in the sliding resistance.
- 6. Keep the flatness of the mounting surface within 0.1 mm/500 mm.**  
If a workpiece or base does not sit evenly on the body of the product, play in the guide or an increase in the sliding resistance may occur.
- 7. Do not allow a workpiece to collide with the table during the positioning operation or within the positioning range.**
- 8. Grease is applied to the dust seal band for sliding. When wiping off the grease to remove foreign matter, etc., be sure to apply it again.**
- 9. When bottom mounted, the dust seal band may become warped.**





# LEKFS Series Specific Product Precautions 2

Be sure to read this before handling the products. Refer to the back cover for safety instructions. For electric actuator and auto switch precautions, refer to the “Handling Precautions for SMC Products” and the “Operation Manual” on the SMC website: <https://www.smcworld.com>

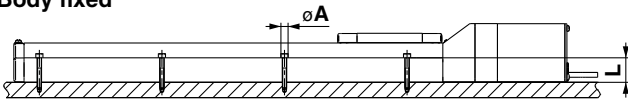
## Handling

### ⚠ Caution

#### 10. When mounting the product, use screws of adequate length and tighten them with adequate torque.

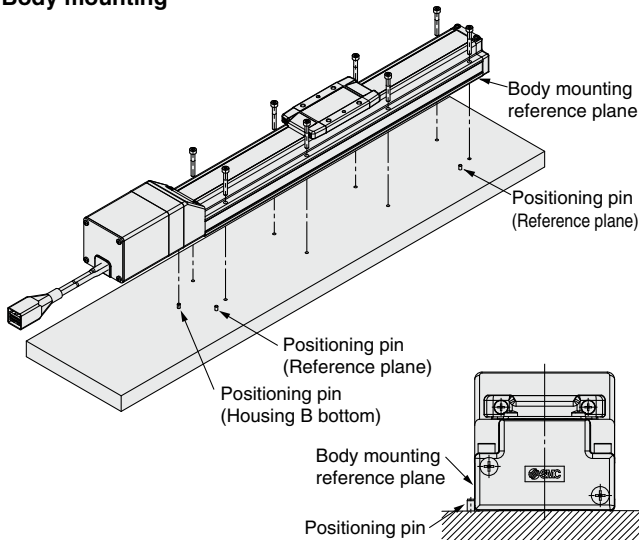
Tightening the screws with a higher torque than recommended may result in a malfunction, while tightening with a lower torque can result in the displacement of the mounting position or, in extreme conditions, the actuator could become detached from its mounting position.

#### Body fixed



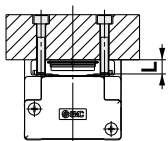
Model	Screw size	Max. tightening torque [N·m]	$\phi A$ [mm]	L [mm]
LEKFS□25	M4	1.5	4.5	24
LEKFS□32	M5	3.0	5.5	30
LEKFS□40	M6	5.2	6.6	31

#### Body mounting



The traveling parallelism is the reference plane for the body mounting reference plane. If the traveling parallelism for a table is required, set the reference plane against parallel pins, etc.

#### Workpiece fixed



Model	Screw size	Max. tightening torque [N·m]	L (Max. screw-in depth) [mm]
LEKFS□25	M5 x 0.8	3.0	8
LEKFS□32	M6 x 1	5.2	9
LEKFS□40	M8 x 1.25	12.5	13

To prevent the workpiece retaining screws from touching the body, use screws that are 0.5 mm or shorter than the maximum screw-in depth. If long screws are used, they may touch the body and cause a malfunction.

#### 11. Do not operate by fixing the table and moving the actuator body.

#### 12. Check the specifications for the minimum speed of each actuator.

Failure to do so may result in unexpected malfunctions such as knocking.

## Maintenance

### ⚠ Warning

#### Maintenance frequency

Perform maintenance according to the table below.

Frequency	Appearance check	Internal check
Inspection before daily operation	○	—
Inspection every 6 months/1000 km/5 million cycles*1	○	○

\*1 Select whichever comes first.

#### ● Items for visual appearance check

1. Loose set screws, Abnormal amount of dirt, etc.
2. Check for visible damage, Check of cable joint
3. Vibration, Noise

#### ● Items for internal check

1. Lubricant condition on moving parts
2. Loose or mechanical play in fixed parts or fixing screws

#### ● Items for belt check

Stop operation immediately and replace the belt when any of the following occur. In addition, ensure your operating environment and conditions satisfy the requirements specified for the product.

##### a. Tooth shape canvas is worn out

Canvas fiber becomes fuzzy, Rubber is coming off and the fiber has become whitish, Lines of fibers have become unclear

##### b. Peeling off or wearing of the side of the belt

Belt corner has become rounded and frayed threads stick out

##### c. Belt is partially cut

Belt is partially cut, Foreign matter caught in the teeth of other parts is causing damage

##### d. A vertical line on belt teeth is visible

Damage which is made when the belt runs on the flange

##### e. Rubber back of the belt is softened and sticky

##### f. Cracks on the back of the belt are visible

Model Selection

LEKFS

LEFS

LEFB

LEJS

LET-X11

LEY

LEYG

LESYH

Motor Mounting



# Slider Type

## Ball Screw Drive *LEFS Series*

p. 37



Model Selection

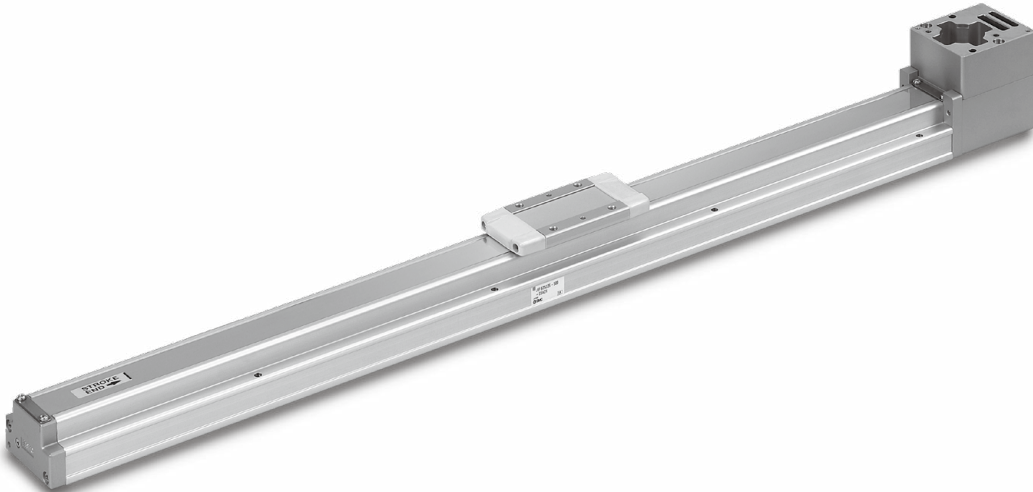
LEKFS

LEFS

LEFB

## Belt Drive *LEFB Series*

p. 64



LEJS

LET-X11

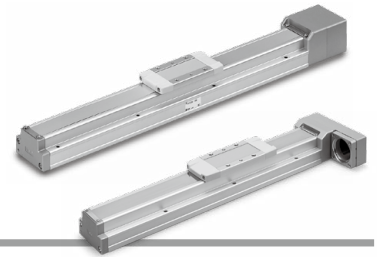
LEY

LEYG

LESYH

Motor Mounting

Motorless Type  
 Electric Actuator/Slider Type  
 Ball Screw Drive/LEFS Series  
**Model Selection**



LEFS Series ▶ p. 45

**Selection Procedure**

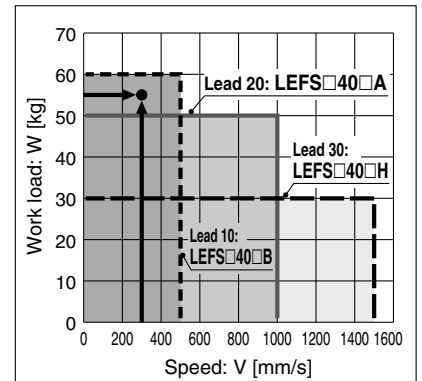
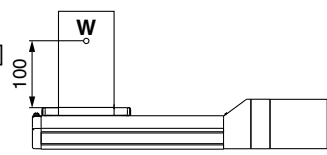


**Selection Example**

The model selection method shown below corresponds to SMC's standard motor. For use in combination with a motor from a different manufacturer, check the available product information of the motor to be used.

**Operating conditions**

- Workpiece mass: 55 [kg]
- Speed: 300 [mm/s]
- Acceleration/Deceleration: 3000 [mm/s<sup>2</sup>]
- Stroke: 200 [mm]
- Mounting position: Horizontal upward
- Incremental encoder
- Workpiece mounting condition:
- Settling time



<Speed-Work Load Graph>  
(LEFS40)

**Step 1 Check the work load-speed. <Speed-Work Load Graph>**

Select a model based on the workpiece mass and speed which are within the range of the actuator body specifications while referencing the speed-work load graph (guide) on page 38.

Selection example) The LEFS40B-200 can be temporarily selected as a possible candidate based on the graph shown on the right side.

\* Refer to the selection method of motor manufacturers for regeneration resistance.

**Step 2 Check the cycle time.**

Calculate the cycle time using the following calculation method.

**Cycle time:**

T can be found from the following equation.

$$T = T1 + T2 + T3 + T4 \text{ [s]}$$

• T1: Acceleration time and T3: Deceleration time can be found by the following equation.

$$T1 = V/a1 \text{ [s]} \quad T3 = V/a2 \text{ [s]}$$

• T2: Constant speed time can be found from the following equation.

$$T2 = \frac{L - 0.5 \cdot V \cdot (T1 + T3)}{V} \text{ [s]}$$

• T4: Settling time varies depending on the motor type and load. The value below is recommended.

$$T4 = 0.05 \text{ [s]}$$

\* The conditions for the settling time vary depending on the motor or driver to be used.

Calculation example)

T1 to T4 can be calculated as follows.

$$T1 = V/a1 = 300/3000 = 0.1 \text{ [s]}$$

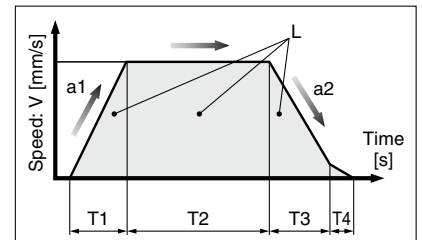
$$T3 = V/a2 = 300/3000 = 0.1 \text{ [s]}$$

$$T2 = \frac{L - 0.5 \cdot V \cdot (T1 + T3)}{V} = \frac{200 - 0.5 \cdot 300 \cdot (0.1 + 0.1)}{300} = 0.57 \text{ [s]}$$

$$T4 = 0.05 \text{ [s]}$$

The cycle time can be found as follows.

$$T = T1 + T2 + T3 + T4 = 0.1 + 0.57 + 0.1 + 0.05 = 0.82 \text{ [s]}$$



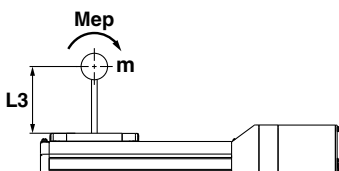
L : Stroke [mm] ... (Operating condition)  
 V : Speed [mm/s] ... (Operating condition)  
 a1 : Acceleration [mm/s<sup>2</sup>] ... (Operating condition)  
 a2 : Deceleration [mm/s<sup>2</sup>] ... (Operating condition)

- T1: Acceleration time [s]  
Time until reaching the set speed
- T2: Constant speed time [s]  
Time while the actuator is operating at a constant speed
- T3: Deceleration time [s]  
Time from the beginning of the constant speed operation to stop
- T4: Settling time [s]  
Time until positioning is completed

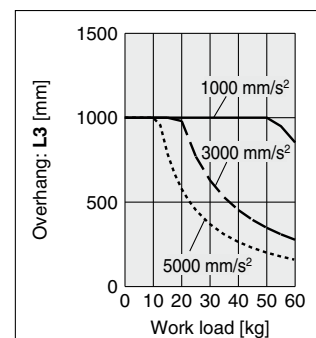
**Step 3 Check the allowable moment. <Static allowable moment> (page 38)**

**<Dynamic allowable moment> (page 42)**

Confirm the moment that applies to the actuator is within the allowable range for both static and dynamic conditions.



Based on the above calculation result, the LEFS40B-200 should be selected.

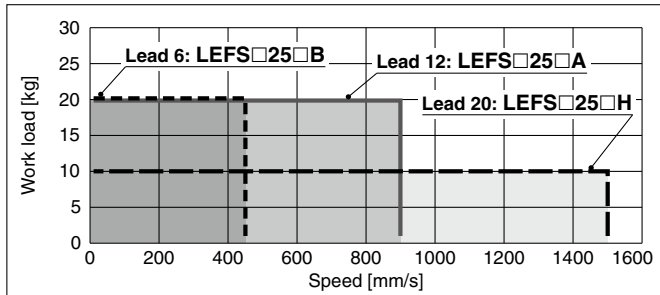


- \* The values shown below are allowable values of the actuator body. Do not use the actuator so that it exceeds these specification ranges.
- \* The allowable speed is restricted depending on the stroke. Select it by referring to the "Allowable Stroke Speed" below.

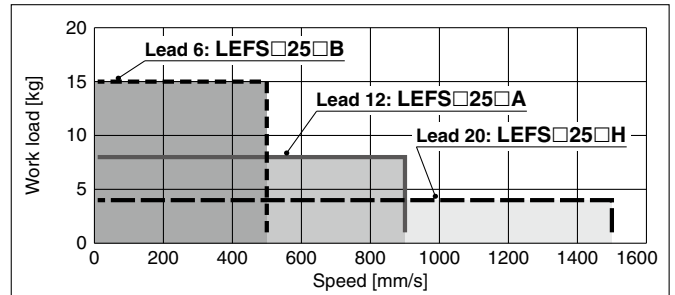
## Speed-Work Load Graph (Guide)

### LEFS□25/Ball Screw Drive

#### Horizontal

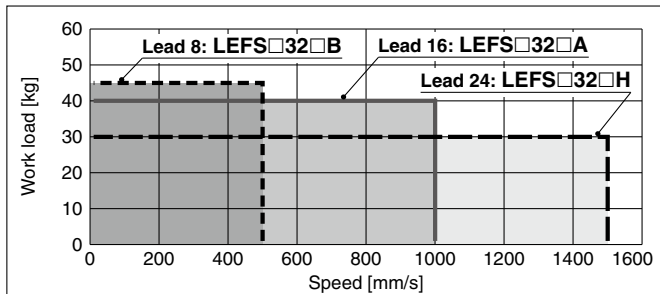


#### Vertical

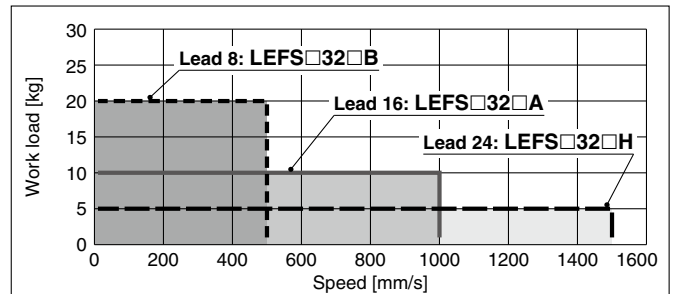


### LEFS□32/Ball Screw Drive

#### Horizontal

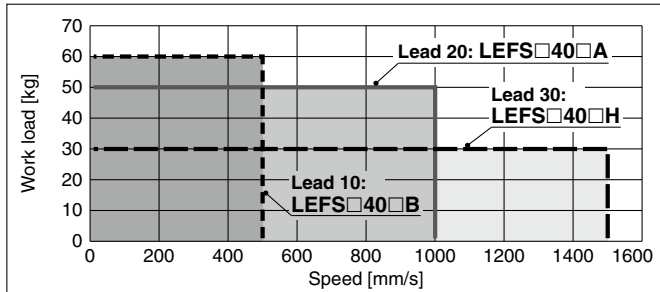


#### Vertical

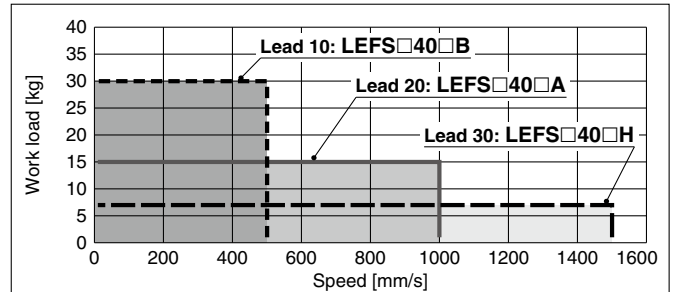


### LEFS□40/Ball Screw Drive

#### Horizontal



#### Vertical



## Allowable Stroke Speed

Model	AC servo motor	Lead		Stroke [mm]											
		Symbol	[mm]	Up to 100	Up to 200	Up to 300	Up to 400	Up to 500	Up to 600	Up to 700	Up to 800	Up to 900	Up to 1000	Up to 1100	Up to 1200
LEFS25	100 W equivalent	H	20			1500		1200	900	700	550	—	—	—	—
		A	12			900		720	540	420	330	—	—	—	—
		B	6			450		360	270	210	160	—	—	—	—
		(Motor rotation speed)				(4500 rpm)		(3650 rpm)	(2700 rpm)	(2100 rpm)	(1650 rpm)	—	—	—	—
LEFS32	200 W equivalent	H	24			1500		1200	930	750	610	510	—	—	
		A	16			1000		800	620	500	410	340	—	—	
		B	8			500		400	310	250	200	170	—	—	
		(Motor rotation speed)				(3750 rpm)		(3000 rpm)	(2325 rpm)	(1875 rpm)	(1537 rpm)	(1275 rpm)	—	—	
LEFS40	400 W equivalent	H	30	—		1500		1410	1140	930	780	500	500		
		A	20	—		1000		940	760	620	520	440	380		
		B	10	—		500		470	380	310	260	220	190		
		(Motor rotation speed)				(3000 rpm)		(2820 rpm)	(2280 rpm)	(1860 rpm)	(1560 rpm)	(1320 rpm)	(1140 rpm)		

## Static Allowable Moment\*1

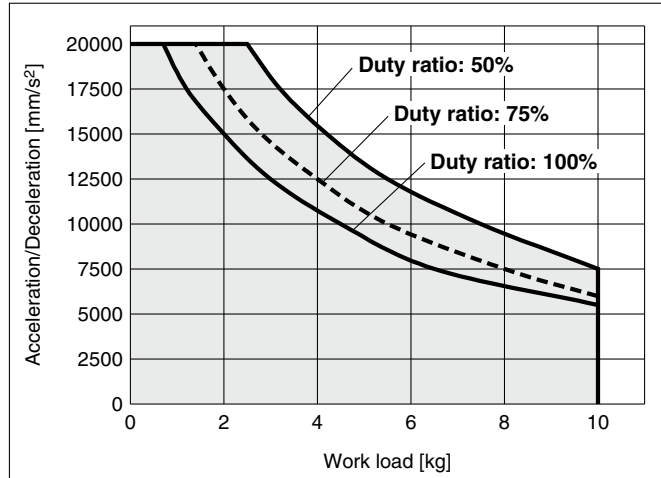
Model	Size	Pitching	Yawing	Rolling
LEF□	16	10	10	20
	25	27	27	52
	32	46	46	101
	40	110	110	207

\*1 The static allowable moment is the amount of static moment which can be applied to the actuator when it is stopped.  
If the product is exposed to impact or repeated load, be sure to take adequate safety measures when using the product.

## Work Load–Acceleration/Deceleration Graph (Guide)

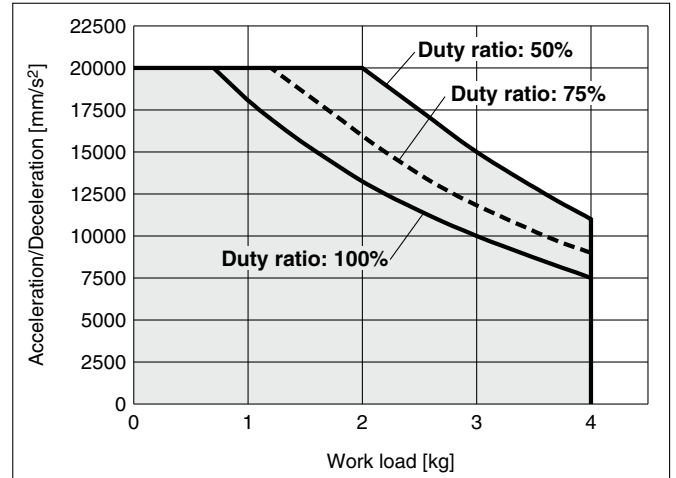
### LEFS□25□H/Ball Screw Drive

#### Horizontal



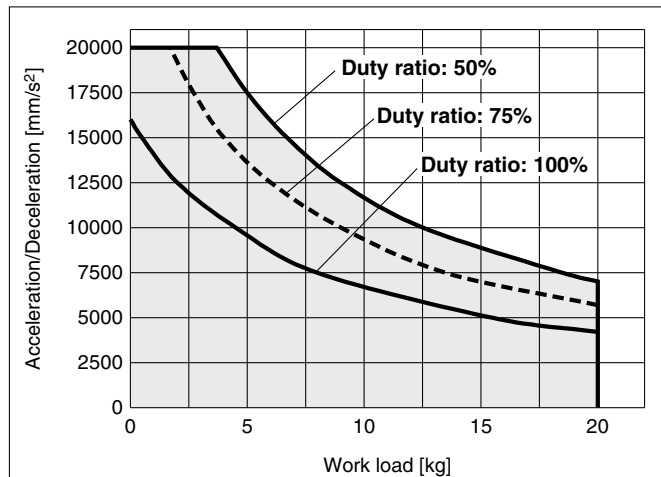
### LEFS□25□H/Ball Screw Drive

#### Vertical



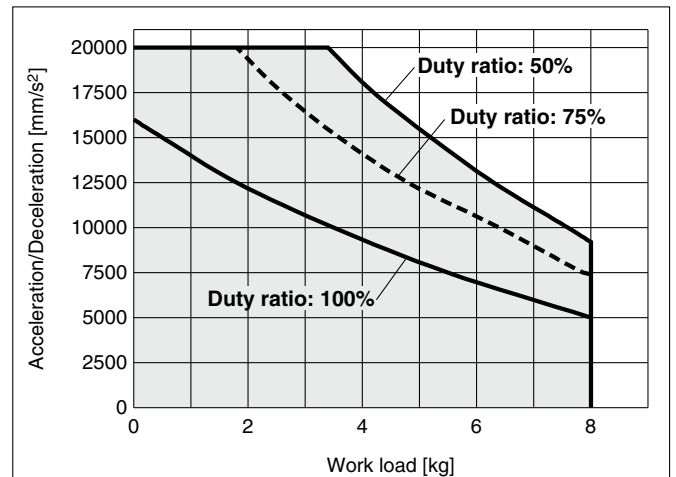
### LEFS□25□A/Ball Screw Drive

#### Horizontal



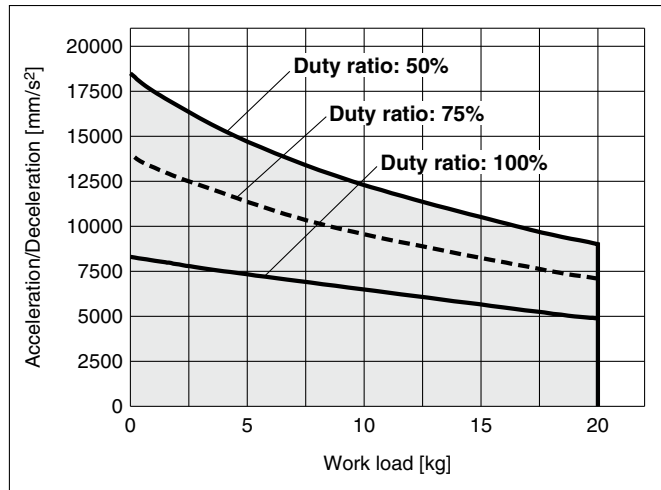
### LEFS□25□A/Ball Screw Drive

#### Vertical



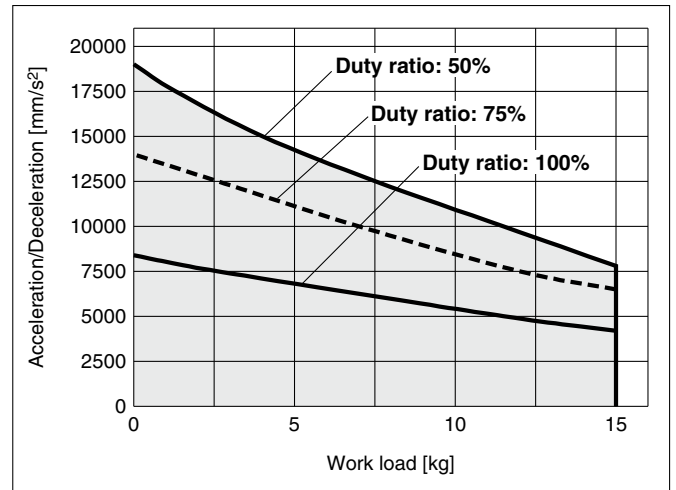
### LEFS□25□B/Ball Screw Drive

#### Horizontal



### LEFS□25□B/Ball Screw Drive

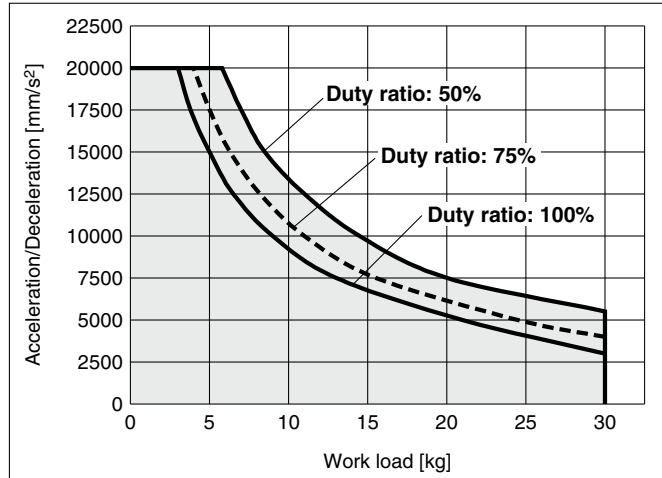
#### Vertical



**Work Load–Acceleration/Deceleration Graph (Guide)**

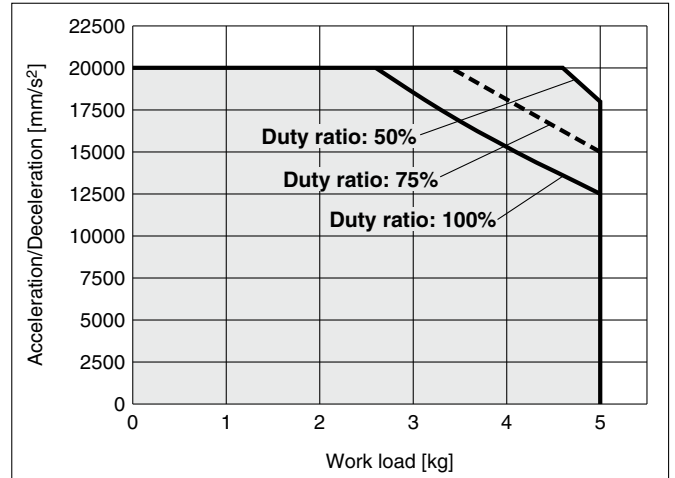
**LEFS□32□H/Ball Screw Drive**

**Horizontal**



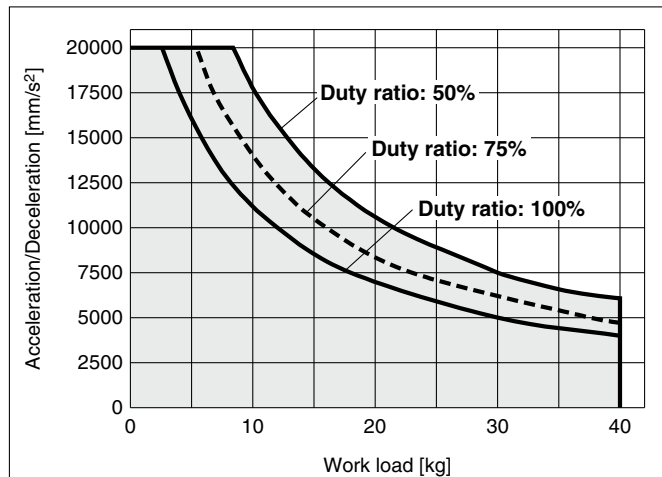
**LEFS□32□H/Ball Screw Drive**

**Vertical**



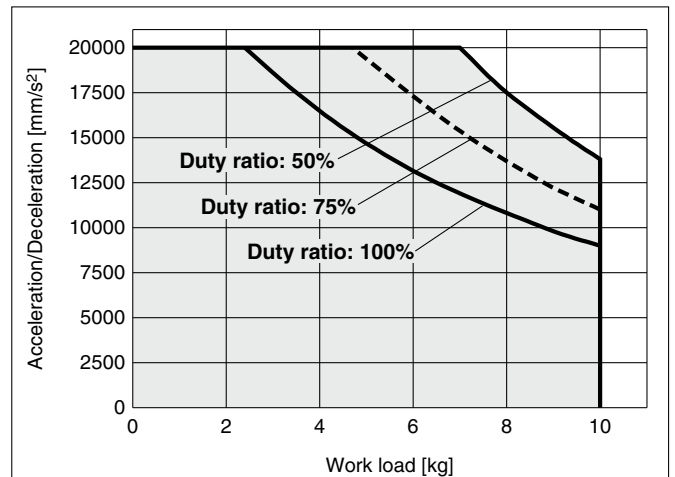
**LEFS□32□A/Ball Screw Drive**

**Horizontal**



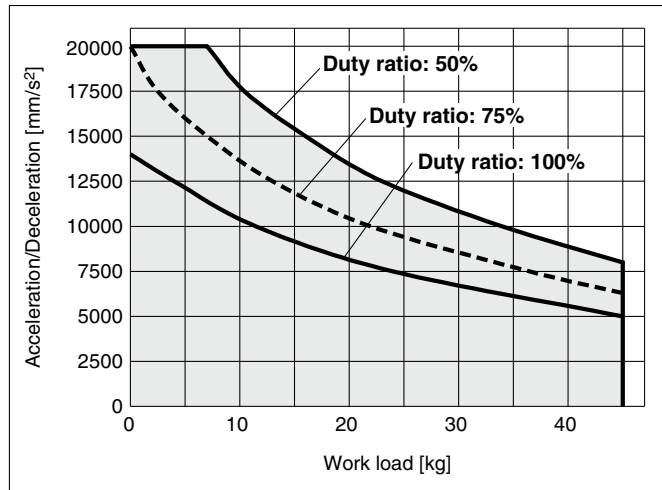
**LEFS□32□A/Ball Screw Drive**

**Vertical**



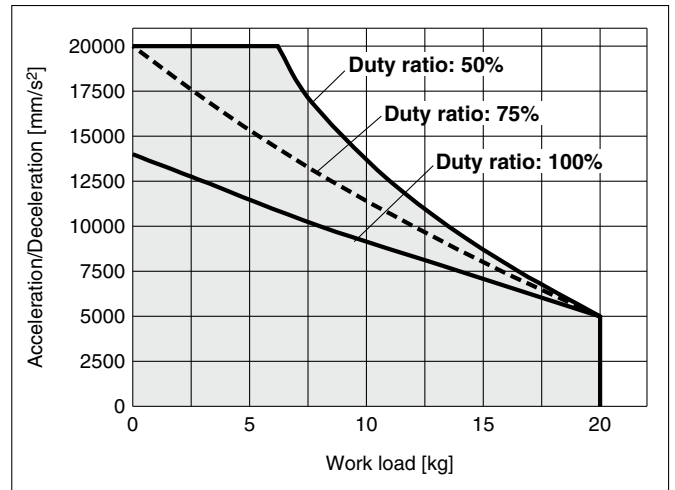
**LEFS□32□B/Ball Screw Drive**

**Horizontal**



**LEFS□32□B/Ball Screw Drive**

**Vertical**



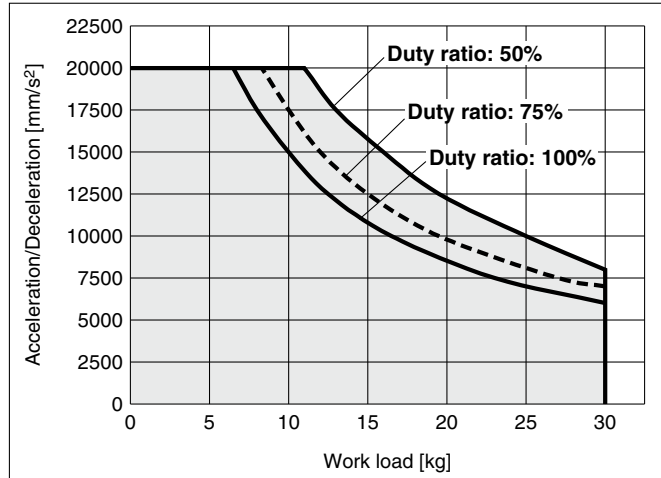
- Model Selection
- LEKFS
- LEFS
- LEFB
- LEJS
- LET-X11
- LEY
- LEYG
- LESYH
- Motor Mounting



## Work Load–Acceleration/Deceleration Graph (Guide)

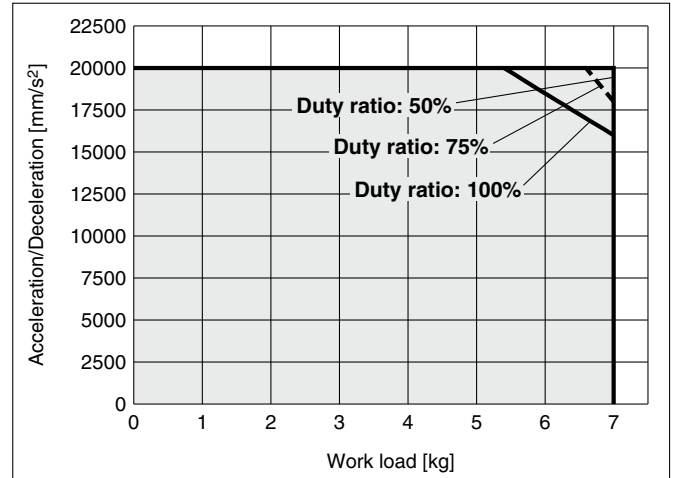
### LEFS□40□H/Ball Screw Drive

#### Horizontal



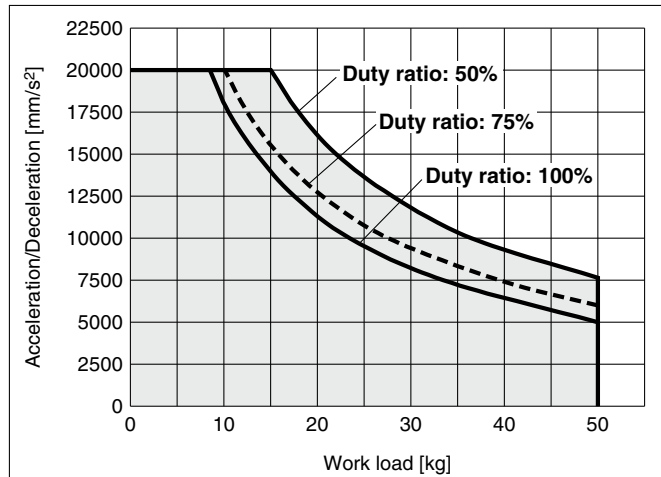
### LEFS□40□H/Ball Screw Drive

#### Vertical



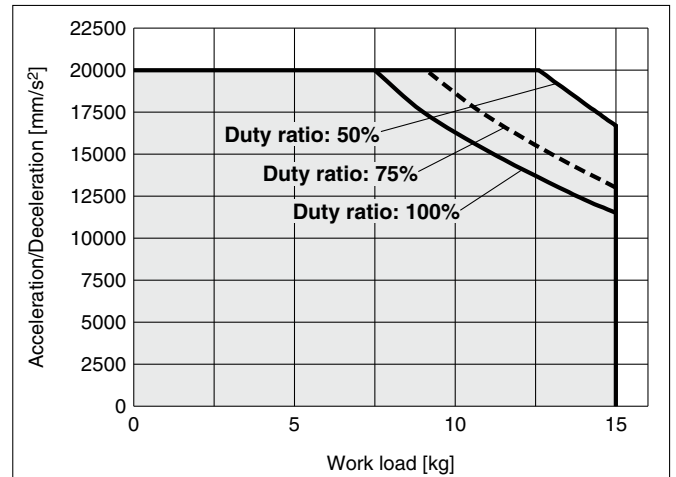
### LEFS□40□A/Ball Screw Drive

#### Horizontal



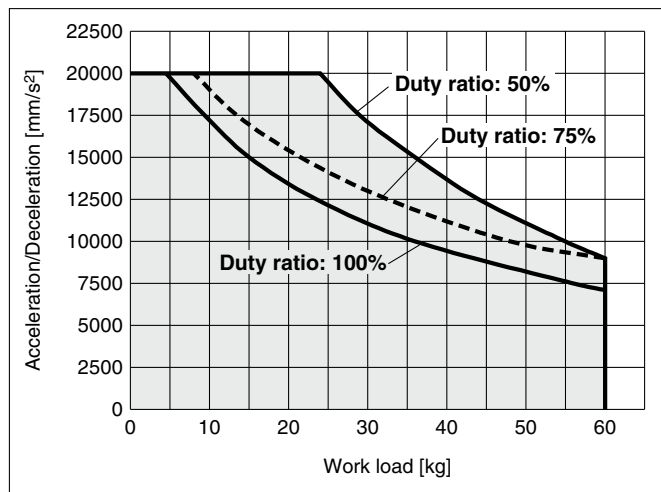
### LEFS□40□A/Ball Screw Drive

#### Vertical



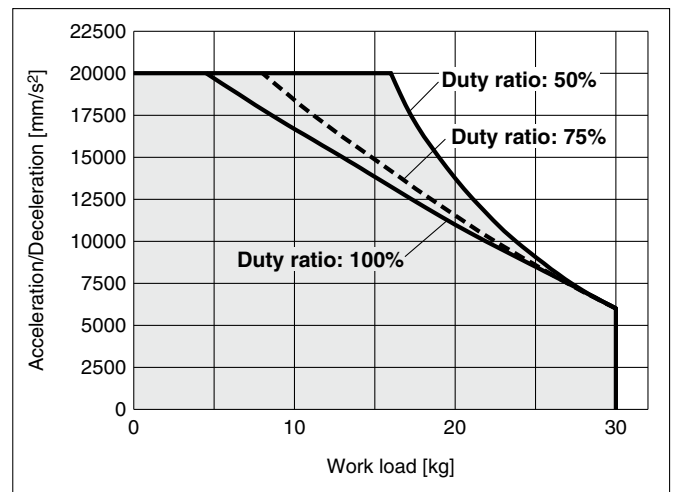
### LEFS□40□B/Ball Screw Drive

#### Horizontal



### LEFS□40□B/Ball Screw Drive

#### Vertical

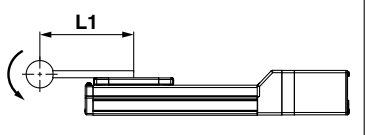
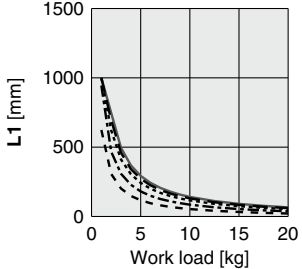
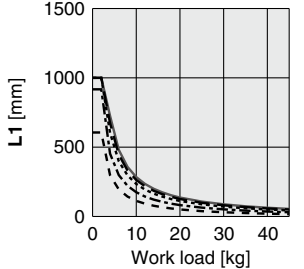
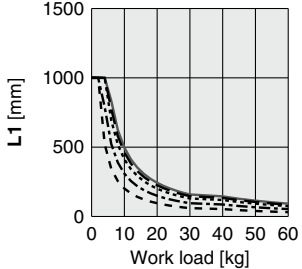
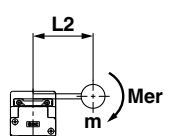
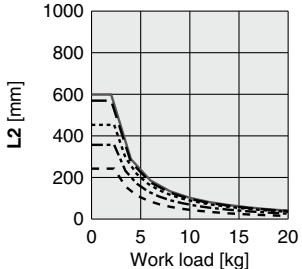
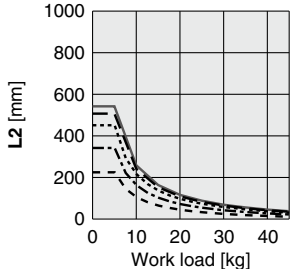
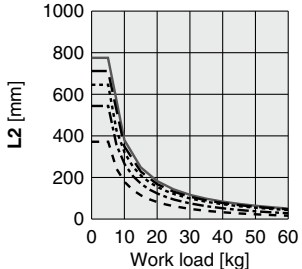
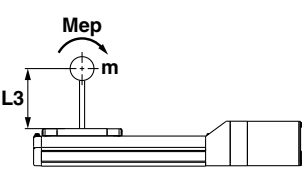
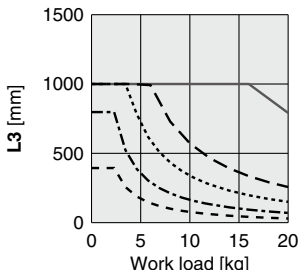
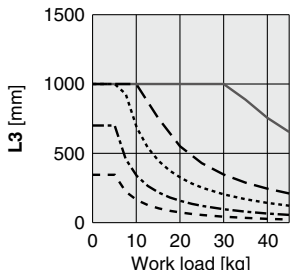
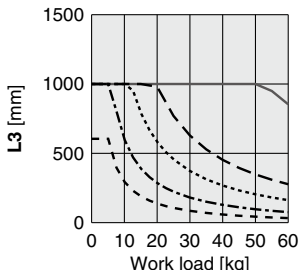
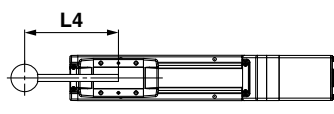
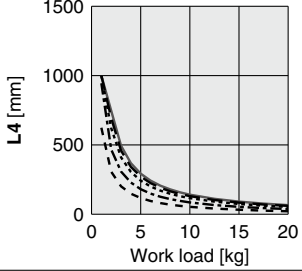
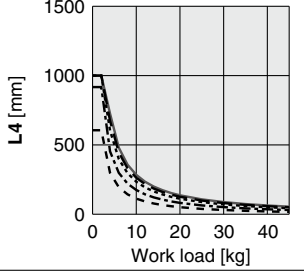
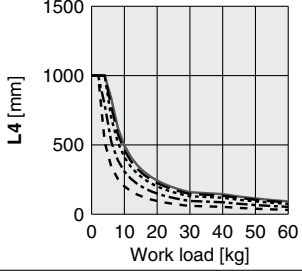
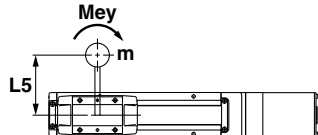
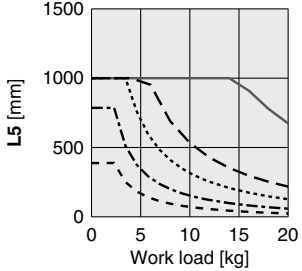
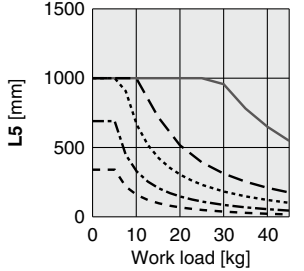
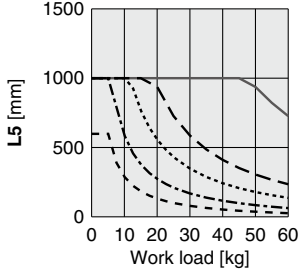
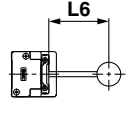
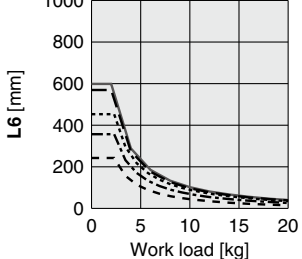
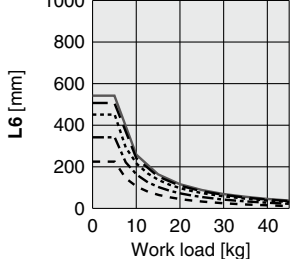
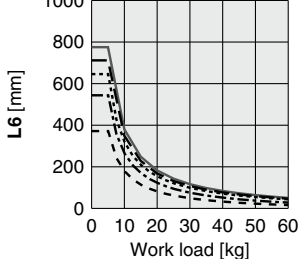


These graphs are examples of when the standard motor is mounted.  
Determine the duty ratio after taking into account the load factor of the motor or driver to be used.

\* These graphs show the amount of allowable overhang (guide unit) when the center of gravity of the workpiece overhangs in one direction. When selecting the overhang, refer to the "Calculation of Guide Load Factor" or the Electric Actuator Model Selection Software for confirmation: <https://www.smcworld.com>

## Dynamic Allowable Moment

Acceleration/Deceleration ——— 1000 mm/s<sup>2</sup>    - - - 3000 mm/s<sup>2</sup>    ······ 5000 mm/s<sup>2</sup>    - - - - 10000 mm/s<sup>2</sup>    - - - - 20000 mm/s<sup>2</sup>

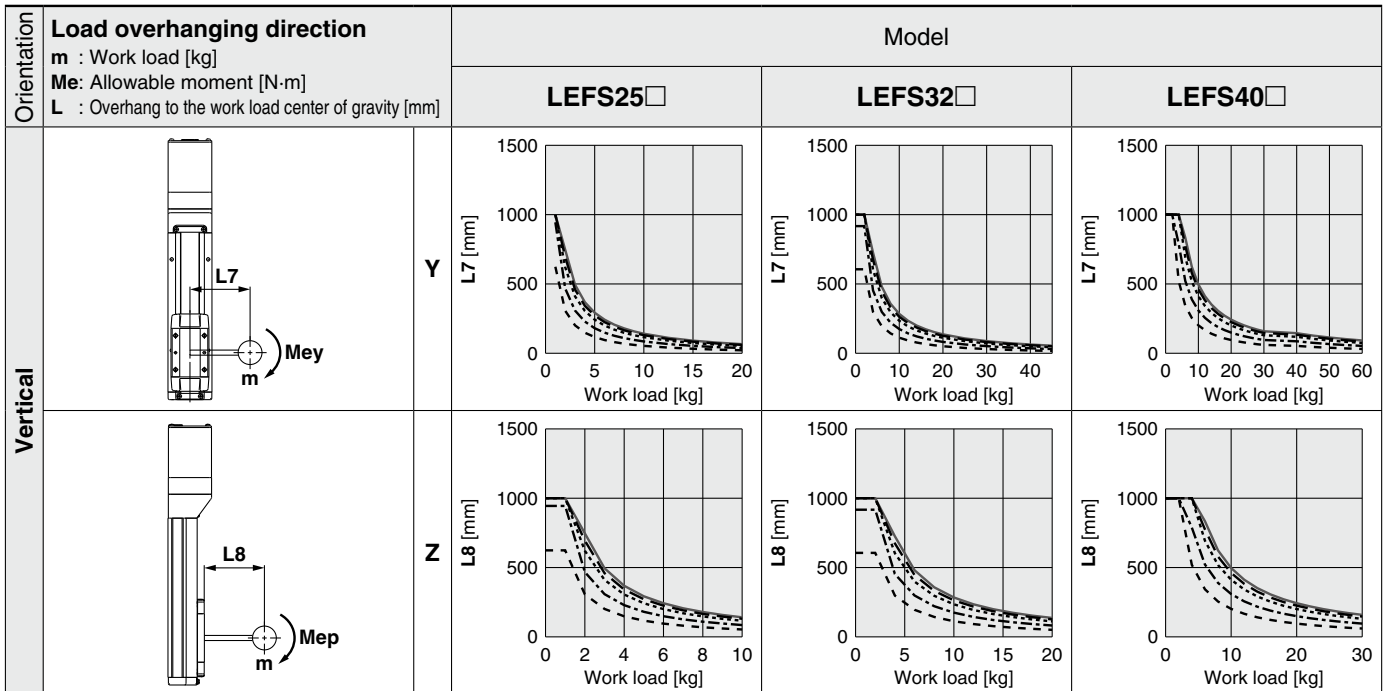
Orientation	Load overhanging direction m : Work load [kg] Me: Allowable moment [N·m] L : Overhang to the work load center of gravity [mm]	Model		
		LEFS25□	LEFS32□	LEFS40□
Horizontal/Bottom	 X L1 [mm]			
	 Y L2 [mm]			
	 Z L3 [mm]			
Wall	 X L4 [mm]			
	 Y L5 [mm]			
	 Z L6 [mm]			

- Model Selection
- LEKFS
  - LEFS
  - LEFB
  - LEJS
  - LET-X11
  - LEY
  - LEYG
  - LESYH
  - Motor Mounting

\* These graphs show the amount of allowable overhang (guide unit) when the center of gravity of the workpiece overhangs in one direction. When selecting the overhang, refer to the "Calculation of Guide Load Factor" or the Electric Actuator Model Selection Software for confirmation: <https://www.smcworld.com>

## Dynamic Allowable Moment

Acceleration/Deceleration ——— 1000 mm/s<sup>2</sup>    - - - 3000 mm/s<sup>2</sup>    ······ 5000 mm/s<sup>2</sup>    - - - - 10000 mm/s<sup>2</sup>    - - - - 20000 mm/s<sup>2</sup>



## Calculation of Guide Load Factor

1. Decide operating conditions.

Model: LEFS

Size: 25/32/40

Mounting orientation: Horizontal/Bottom/Wall/Vertical

Acceleration [mm/s<sup>2</sup>]: a

Work load [kg]: m

Work load center position [mm]: Xc/Yc/Zc

2. Select the target graph while referencing the model, size, and mounting orientation.

3. Based on the acceleration and work load, find the overhang [mm]: Lx/Ly/Lz from the graph.

4. Calculate the load factor for each direction.

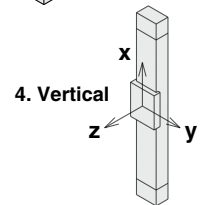
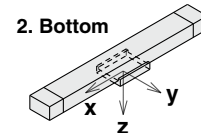
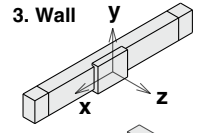
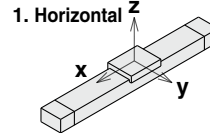
$$\alpha_x = X_c/L_x, \alpha_y = Y_c/L_y, \alpha_z = Z_c/L_z$$

5. Confirm the total of  $\alpha_x$ ,  $\alpha_y$ , and  $\alpha_z$  is 1 or less.

$$\alpha_x + \alpha_y + \alpha_z \leq 1$$

When 1 is exceeded, consider a reduction of acceleration and work load, or a change of the work load center position and series.

### Mounting Orientation



### Example

1. Operating conditions

Model: LEFS40

Size: 40

Mounting orientation: Horizontal

Acceleration [mm/s<sup>2</sup>]: 3000

Work load [kg]: 20

Work load center position [mm]: Xc = 0, Yc = 50, Zc = 200

2. Select the graphs for horizontal of the LEFS40□ on page 42.

3. Lx = 250 mm, Ly = 180 mm, Lz = 1000 mm

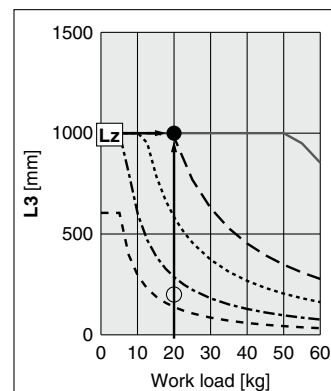
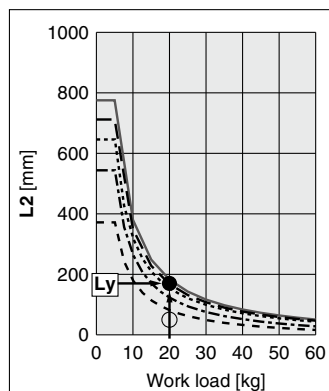
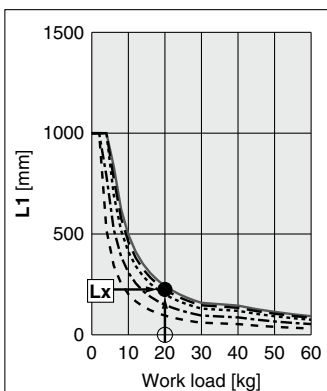
4. The load factor for each direction can be found as follows.

$$\alpha_x = 0/250 = 0$$

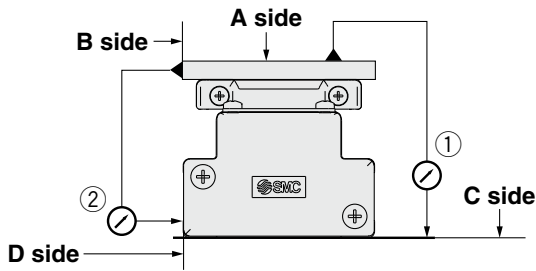
$$\alpha_y = 50/180 = 0.27$$

$$\alpha_z = 200/1000 = 0.2$$

5.  $\alpha_x + \alpha_y + \alpha_z = 0.47 \leq 1$



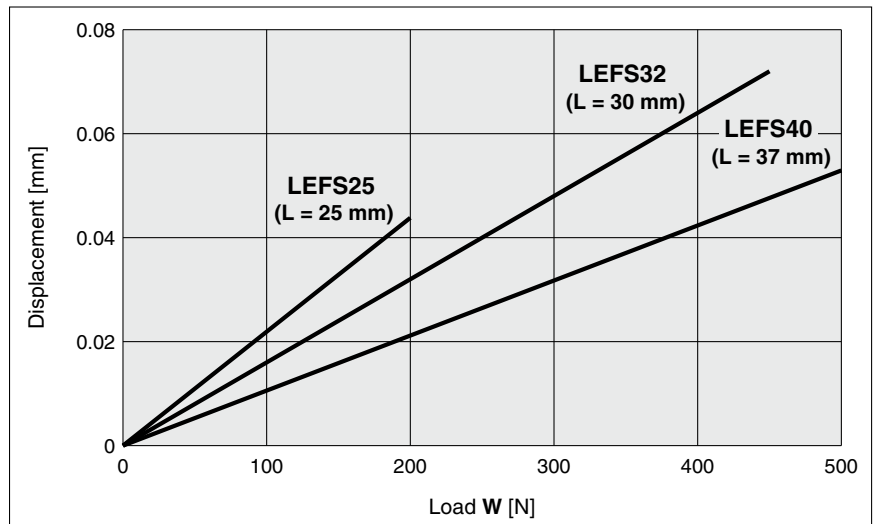
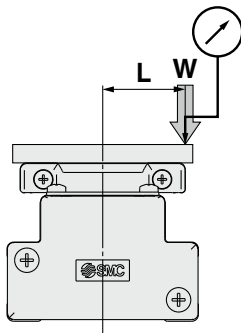
### Table Accuracy (Reference Value)



Model	Traveling parallelism [mm] (Every 300 mm)	
	① C side traveling parallelism to A side	② D side traveling parallelism to B side
<b>LEFS25</b>	0.05	0.03
<b>LEFS32</b>	0.05	0.03
<b>LEFS40</b>	0.05	0.03

\* Traveling parallelism does not include the mounting surface accuracy.

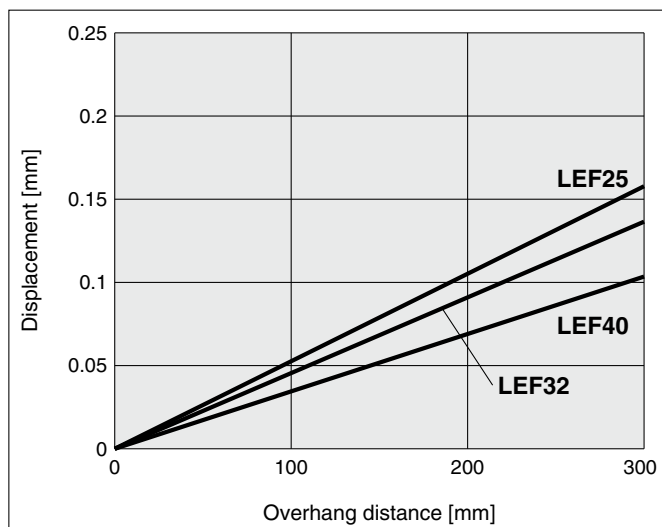
### Table Displacement (Reference Value)



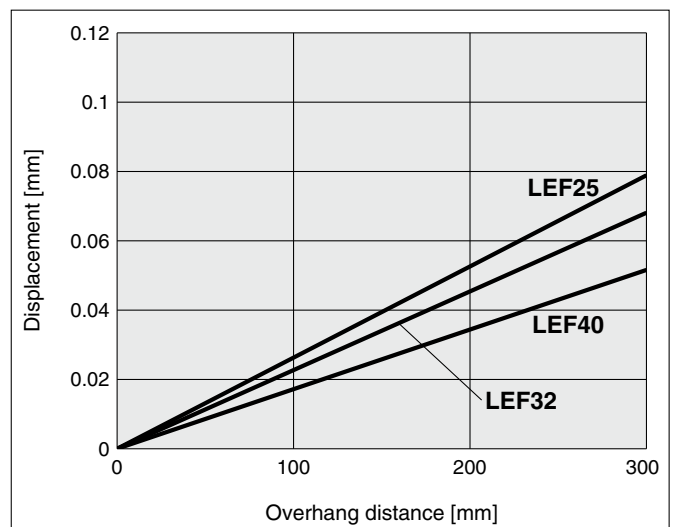
\* This displacement is measured when a 15 mm aluminum plate is mounted and fixed on the table.  
\* Check the clearance and play of the guide separately.

### Overhang Displacement Due to Table Clearance (Initial Reference Value)

#### Basic Type



#### High-Precision Type



Model Selection

LEKFS

LEFS

LEFB

LEJS

LET-X11

LEY

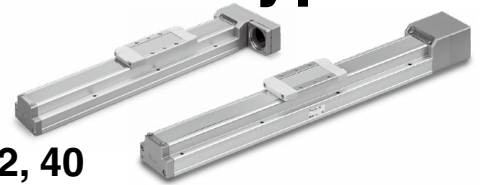
LEYG

LESYH

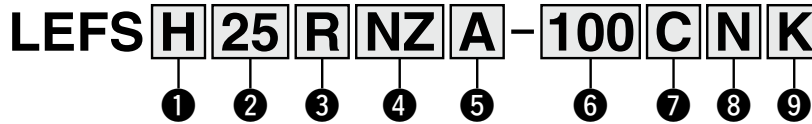
Motor Mounting

# Electric Actuator/Slider Type Ball Screw Drive

## LEFS Series LEFS25, 32, 40



### How to Order



#### ① Accuracy

Nil	Basic type
H	High-precision type

#### ② Size

25
32
40

#### ③ Motor mounting position

Nil	In-line
R	Right side parallel
L	Left side parallel

#### ④ Mounting type

NZ	NV	NM2
NY	NU	NM3
NX	NT	
NW	NM1	

#### ⑤ Lead [mm]

Symbol	LEFS25	LEFS32	LEFS40
H	20	24	30
A	12	16	20
B	6	8	10

#### ⑥ Stroke [mm]

50	50
to	to
1200	1200

\* Refer to the applicable stroke table.

#### ⑧ Grease application (Seal band part)

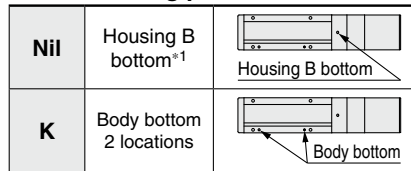
Nil	With
N	Without (Roller specification)

#### ⑦ Auto switch compatibility

Nil	None
C	With (Includes 1 mounting bracket)

\* If 2 or more are required, please order them separately. (Part no.: LEFD-2-1 For details, refer to page 86.)  
 \* Order auto switches separately. (For details, refer to pages 87 to 89.)  
 \* When "Nil" is selected, the product will not come with a built-in magnet for an auto switch, and so a mounting bracket cannot be secured. Be sure to select an appropriate model initially as the product cannot be changed to have auto switch compatibility after purchase.

#### ⑨ Positioning pin hole



\*1 Refer to the body mounting example on page 91 for the mounting method.

### Applicable Stroke Table

● : Standard

Model	Stroke [mm]	50	100	150	200	250	300	350	400	450	500	550	600	650	700	750	800	850	900	950	1000	1100	1200	
LEFS25		●	●	●	●	●	●	●	●	●	●	●	●	●	●	●	●	●	—	—	—	—	—	—
LEFS32		●	●	●	●	●	●	●	●	●	●	●	●	●	●	●	●	●	●	●	●	●	—	—
LEFS40		—	—	●	●	●	●	●	●	●	●	●	●	●	●	●	●	●	●	●	●	●	●	●

\* Please contact SMC for non-standard strokes as they are produced as special orders.

### Compatible Motors and Mounting Types\*5

Applicable motor model		Size/Mounting type																						
Manufacturer	Series	25						32/40																
		NZ	NY	NX	NM1	NM2	NM3	NZ	NY	NX	NW	NV	NU	NT	NM1	NM2								
Mitsubishi Electric Corporation	MELSERVO JN/J4/J5	●	—	—	—	—	—	●	—	—	—	—	—	—	—	—	—	—	—	—	—	—	—	—
YASKAWA Electric Corporation	Σ-V/7/X	●*4	—	—	—	—	—	●	—	—	—	—	—	—	—	—	—	—	—	—	—	—	—	—
SANYO DENKI CO., LTD.	SANMOTION R	●	—	—	—	—	—	●	—	—	—	—	—	—	—	—	—	—	—	—	—	—	—	—
OMRON Corporation	OMNUC G5/1S	●	—	—	—	—	—	—	●	—	—	—	—	—	—	—	—	—	—	—	—	—	—	—
Panasonic Corporation	MINAS A5/A6	● (MHMF only)	●	—	—	—	—	—	—	●	—	—	—	—	—	—	—	—	—	—	—	—	—	—
FANUC CORPORATION	βis (-B)	●	—	—	—	—	—	—	—	● (β1 only)	—	—	—	—	●	—	—	—	—	—	—	—	—	—
NIDEC SANKYO CORPORATION	S-FLAG	●	—	—	—	—	—	—	—	●	—	—	—	—	—	—	—	—	—	—	—	—	—	—
KEYENCE CORPORATION	SV/SV2	●*4	—	—	—	—	—	—	—	●	—	—	—	—	—	—	—	—	—	—	—	—	—	—
FUJI ELECTRIC CO., LTD.	ALPHA7	●	—	—	—	—	—	—	—	●	—	—	—	—	—	—	—	—	—	—	—	—	—	—
MinebeaMitsumi Inc.	Hybrid stepping motors	—	—	—	—	●*1	—	—	—	●*3	—	—	—	—	—	—	—	—	—	—	—	—	●*2	—
Shinano Kenshi Co., Ltd.	CSB-BZ	—	—	—	—	●*1	—	—	—	●*3	—	—	—	—	—	—	—	—	—	—	—	—	—	—
ORIENTAL MOTOR Co., Ltd.	α STEP AR/AZ	—	—	—	—	—	—	—	● (46 only)	—	—	—	—	—	—	—	—	—	—	—	—	—	—	●*2
FASTECH Co., Ltd.	Ezi-SERVO	—	—	—	—	●	—	—	—	—	—	—	—	—	—	—	—	—	—	—	—	—	●*2	—
Rockwell Automation, Inc. (Allen-Bradley)	Kinetix MP/VP/TL	● (TL only)	—	—	—	—	—	—	—	—	—	—	—	—	—	—	●*1 (MP/VP only)	—	—	—	—	● (TL only)	—	—
Beckhoff Automation GmbH	AM 30/31/80/81	●	—	—	—	—	—	—	—	—	—	—	—	—	—	—	●*1 (80/81 only)	—	●*1 (30 only)	●*2 (31 only)	—	—	—	—
Siemens AG	SIMOTICS S-1FK7	—	—	●	—	—	—	—	—	—	—	—	—	—	—	—	●*1	—	—	—	—	—	—	—
Delta Electronics, Inc.	ASDA-A2	●	—	—	—	—	—	—	—	—	—	—	—	—	—	—	●	—	—	—	—	—	—	—
ANCA Motion	AMD2000	●	—	—	—	—	—	—	—	—	—	—	—	—	—	—	●	—	—	—	—	—	—	—

\*1 Motor mounting position: In-line only \*2 Only size 32 is available when the motor mounting position is right (or left) side parallel. \*3 Motor mounting position: Right (or left) side parallel only

\*4 For some motors, the connector may protrude from the motor body. Be sure to check for interference with the mounting surface before selecting a motor.

\*5 The compatible motors and mounting types are typical examples. Select the mounting type after referring to the "Motor Mounting, Applicable Motor Dimensions" tables on the following "Dimensions" pages.

**Specifications**<sup>\*2</sup>

- Values in this specifications table are the allowable values of the actuator body with the standard motor mounted.
- Do not use the actuator so that it exceeds these values.

Model		LEFS25			LEFS32			LEFS40										
Actuator specifications	Stroke [mm] <sup>*1</sup>	50 to 800									50 to 1000			150 to 1200				
	Work load [kg]	Horizontal	10	20	20	30	40	45	30	50	60	30	40	45	30	50	60	
		Vertical	4	8	15	5	10	20	7	15	30	7	10	20	7	15	30	
	Speed [mm/s]	Stroke range	Up to 400	1500	900	450	1500	1000	500	1500	1000	500	1500	1000	500	1500	1000	500
			401 to 500	1200	720	360	1500	1000	500	1500	1000	500	1500	1000	500	1500	1000	500
			501 to 600	900	540	270	1200	800	400	1500	1000	500	1500	1000	500	1500	1000	500
			601 to 700	700	420	210	930	620	310	1410	940	470	1410	940	470	1410	940	470
			701 to 800	550	330	160	750	500	250	1140	760	380	1140	760	380	1140	760	380
			801 to 900	—	—	—	610	410	200	930	620	310	930	620	310	930	620	310
			901 to 1000	—	—	—	510	340	170	780	520	260	780	520	260	780	520	260
			1001 to 1100	—	—	—	—	—	—	500	340	170	500	340	170	500	340	170
	1101 to 1200	—	—	—	—	—	—	500	340	170	500	340	170	500	340	170		
	Pushing return to origin speed [mm/s]	30 or less																
	Positioning repeatability [mm]	Basic type	±0.02															
		High-precision type	±0.01															
	Lost motion <sup>*3</sup> [mm]	Basic type	0.1 or less															
		High-precision type	0.05 or less															
	Ball screw specifications	Thread size [mm]	ø10			ø12			ø15			ø15						
		Lead [mm]	20	12	6	24	16	8	30	20	10	30	20	10	30	20	10	
		Shaft length [mm]	Stroke + 150			Stroke + 185			Stroke + 235			Stroke + 235						
Max. acceleration/deceleration [mm/s <sup>2</sup> ]	20000 <sup>*4</sup>																	
Impact/Vibration resistance [m/s <sup>2</sup> ] <sup>*6</sup>	50/20																	
Actuation type	Ball screw (LEFS□), Ball screw + Belt (LEFS□ <sup>†</sup> )																	
Guide type	Linear guide																	
Static allowable moment <sup>*7</sup> [N·m]	Mep (Pitching)	27			46			46			110							
	Mey (Yawing)	27			46			46			110							
	Mer (Rolling)	52			101			101			207							
Operating temperature range [°C]	5 to 40																	
Operating humidity range [%RH]	90 or less (No condensation)																	
Enclosure	IP30 (Excludes motor mounting part)																	
Other specifications <sup>*5</sup>	Actuation unit weight [kg]	0.2			0.3			0.55			0.55							
	Other inertia [kg·cm <sup>2</sup> ]	0.02 (LEFS25)			0.08 (LEFS32)			0.08 (LEFS40)			0.08 (LEFS40)							
		0.02 (LEFS25 <sup>†</sup> )			0.06 (LEFS32 <sup>†</sup> )			0.06 (LEFS32 <sup>†</sup> )			0.17 (LEFS40 <sup>†</sup> )							
	Friction coefficient	0.05																
Mechanical efficiency	0.8																	
Reference motor specifications <sup>*8</sup>	Motor type	AC servo motor (100 V/200 V)																
	Rated output capacity [W]	100			200			400			400							
	Rated torque [N·m]	0.32			0.64			1.3			1.3							

- \*1 Please contact SMC for non-standard strokes as they are produced as special orders.
- \*2 Do not allow collisions at either end of the table traveling distance at a speed exceeding "pushing return to origin speed." Additionally, when running the positioning operation, do not set within 2 mm of both ends.
- \*3 A reference value for correcting errors in reciprocal operation
- \*4 Maximum acceleration/deceleration changes according to the work load. Refer to the "Work Load–Acceleration/Deceleration Graph (Guide)" for ball screw drive on pages 39 to 41.
- \*5 Each value is only to be used as a guide to select a motor of the appropriate capacity.
- \*6 Impact resistance: No malfunction occurred when the actuator was tested with a drop tester in both an axial direction and a perpendicular direction to the lead screw. (The test was performed with the actuator in the initial state.)  
Vibration resistance: No malfunction occurred in a test ranging between 45 to 2000 Hz. The test was performed in both an axial direction and a perpendicular direction to the lead screw. (The test was performed with the actuator in the initial state.)
- \*7 The static allowable moment is the amount of static moment which can be applied to the actuator when it is stopped. If the product is exposed to impact or repeated load, be sure to take adequate safety measures when using the product.
- \*8 For other specifications, refer to the specifications of the motor that is to be installed.

**Weight**

Model	LEFS25															
Stroke [mm]	50	100	150	200	250	300	350	400	450	500	550	600	650	700	750	800
Product weight [kg]	1.50	1.70	1.80	2.00	2.10	2.25	2.40	2.55	2.70	2.80	2.90	3.10	3.35	3.50	3.65	3.80

Model	LEFS32																			
Stroke [mm]	50	100	150	200	250	300	350	400	450	500	550	600	650	700	750	800	850	900	950	1000
Product weight [kg]	2.40	2.60	2.80	3.00	3.20	3.40	3.60	3.80	4.00	4.20	4.40	4.60	4.80	5.00	5.20	5.40	5.60	5.80	6.00	6.20

Model	LEFS40																			
Stroke [mm]	150	200	250	300	350	400	450	500	550	600	650	700	750	800	850	900	950	1000	1100	1200
Product weight [kg]	4.60	4.80	5.20	5.35	5.70	5.95	6.30	6.50	6.80	6.95	7.40	7.60	8.00	8.15	8.50	8.75	9.10	9.30	9.76	10.32

Model Selection  
LEKFS  
LEFS  
LEFB  
LEJS  
LET-X11  
LEY  
LEYG  
LESYH  
Motor Mounting

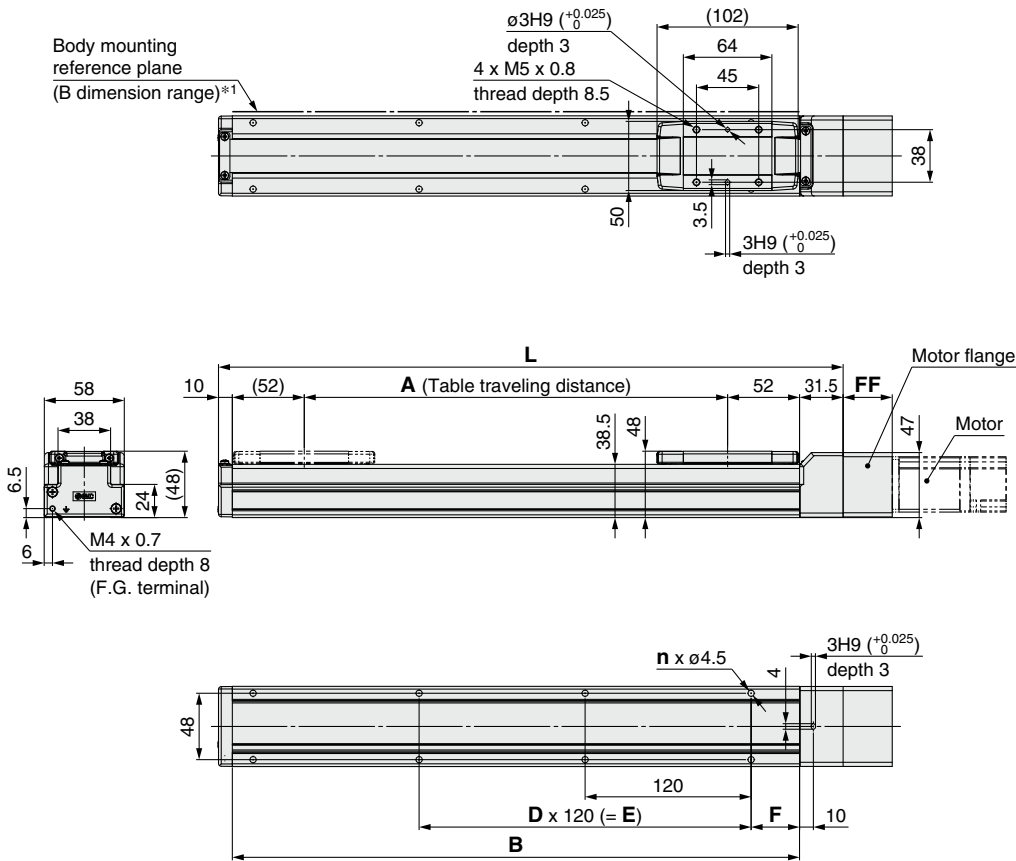
# LEFS Series

Motorless Type

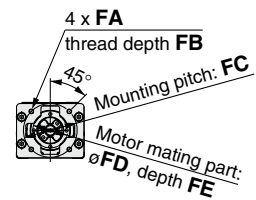
Refer to the "Motor Mounting" on page 59 for details about motor mounting and included parts.

## Dimensions: Ball Screw Drive

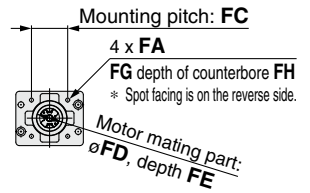
### LEFS25



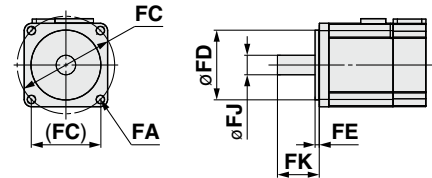
### Mounting type: NZ, NY, NX



### Mounting type: NM1, NM2



### Applicable motor dimensions



\*1 When mounting the actuator using the body mounting reference plane, set the height of the opposite surface or pin to be 3 mm or more. (Recommended height: 5 mm)

### Dimensions

Stroke	L	A	B	n	D	E	F
50	201.5	56	160	4	—	—	20
100	251.5	106	210	4	—	—	35
150	301.5	156	260	4	—	—	35
200	351.5	206	310	6	2	240	35
250	401.5	256	360	6	2	240	35
300	451.5	306	410	8	3	360	35
350	501.5	356	460	8	3	360	35
400	551.5	406	510	8	3	360	35
450	601.5	456	560	10	4	480	35
500	651.5	506	610	10	4	480	35
550	701.5	556	660	12	5	600	35
600	751.5	606	710	12	5	600	35
650	801.5	656	760	12	5	600	35
700	851.5	706	810	14	6	720	35
750	901.5	756	860	14	6	720	35
800	951.5	806	910	16	7	840	35

### Motor Mounting, Applicable Motor Dimensions [mm]

Mounting type	FA		FB	FC	FD	FE (Max.)	FF	FG	FH	FJ	FK
	Mounting type	Applicable motor									
NZ	M4 x 0.7	3H9 (+0.025/0) depth 3	8	30	3.5	35.5	—	—	8	25 ± 1	
NY	M3 x 0.5	3H9 (+0.025/0) depth 3	8	30	3.5	35.5	—	—	8	25 ± 1	
NX	M4 x 0.7	3H9 (+0.025/0) depth 3	8	30	3.5	35.5	—	—	8	18 ± 1	
NM1	3H9 (+0.025/0) depth 3	M3	—	31	22*1	2.5*1	24	6.5	13.5	5*2	18 to 25
NM2	3H9 (+0.025/0) depth 3	M3	—	31	22*1	2.5*1	33.1	6.5	22.6	6	20 ± 1

\*1 Dimensions after mounting a ring spacer (Refer to page 59).

\*2 Shaft type: D-cut shaft

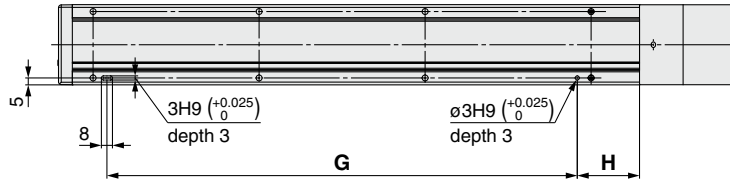


Refer to the "Motor Mounting" on page 59 for details about motor mounting and included parts.

## Dimensions: Ball Screw Drive

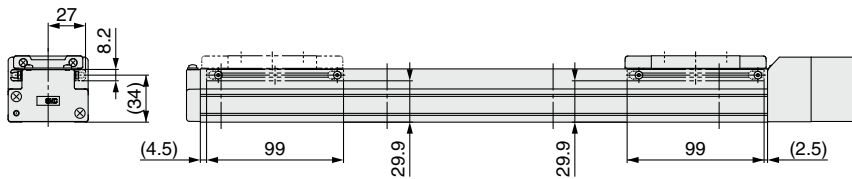
### LEFS25

#### Positioning pin hole\*1 (Option): Body bottom



\*1 When using the body bottom positioning pin holes, do not simultaneously use the housing B bottom pin hole.

#### With auto switch (Option)



\* For strokes of 99 mm or less, only 2 auto switch mounting brackets can be installed on the motor side.

#### Dimensions [mm]

Stroke	G	H
50	100	30
100	100	45
150	100	45
200	220	45
250	220	45
300	340	45
350	340	45
400	340	45
450	460	45
500	460	45
550	580	45
600	580	45
650	580	45
700	700	45
750	700	45
800	820	45

Model Selection

LEKFS

LEFS

LEFB

LEJS

LET-X11

LEY

LEYG

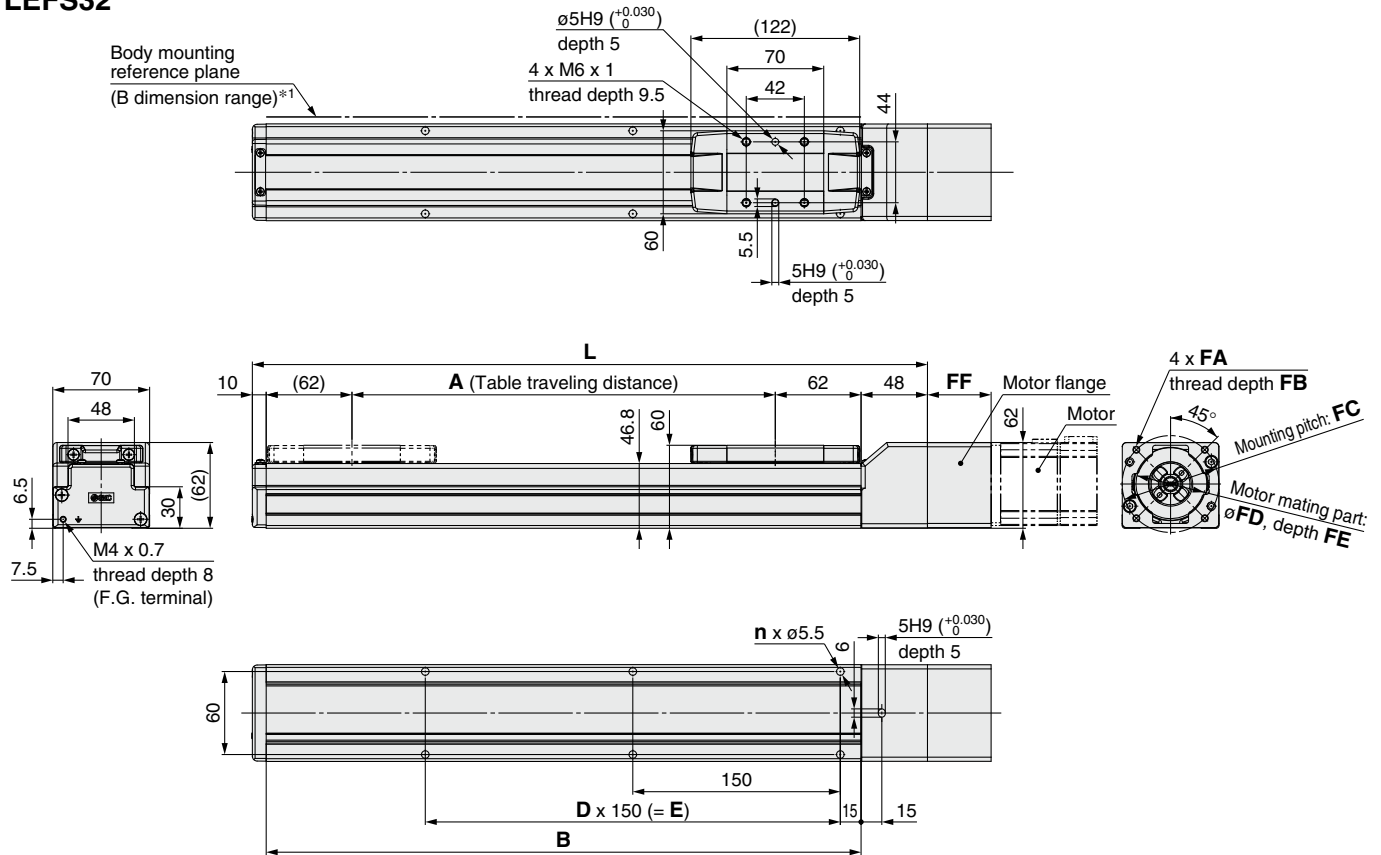
LESYH

Motor Mounting

Refer to the "Motor Mounting" on page 59 for details about motor mounting and included parts.

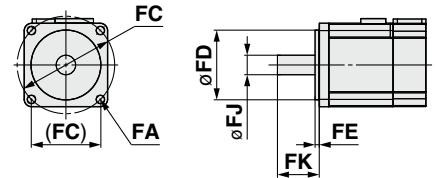
## Dimensions: Ball Screw Drive

### LEFS32



\*1 When mounting the actuator using the body mounting reference plane, set the height of the opposite surface or pin to be 3 mm or more. (Recommended height: 5 mm)

### Applicable motor dimensions



### Dimensions

[mm]

Stroke	L	A	B	n	D	E
50	238	56	180	4	—	—
100	288	106	230	4	—	—
150	338	156	280	4	—	—
200	388	206	330	6	2	300
250	438	256	380	6	2	300
300	488	306	430	6	2	300
350	538	356	480	8	3	450
400	588	406	530	8	3	450
450	638	456	580	8	3	450
500	688	506	630	10	4	600
550	738	556	680	10	4	600
600	788	606	730	10	4	600
650	838	656	780	12	5	750
700	888	706	830	12	5	750
750	938	756	880	12	5	750
800	988	806	930	14	6	900
850	1038	856	980	14	6	900
900	1088	906	1030	14	6	900
950	1138	956	1080	16	7	1050
1000	1188	1006	1130	16	7	1050

### Motor Mounting, Applicable Motor Dimensions [mm]

Mounting type	FA		FB	FC	FD	FE (Max.)	FF	FJ	FK
	Mounting type	Applicable motor							
NZ	M5 x 0.8	$\phi 5.8$	9	$\phi 70$	50	5	46	14	30 ±1
NY	M4 x 0.7	$\phi 4.5$	8	$\phi 70$	50	5	46	11	30 ±1
NX	M5 x 0.8	$\phi 5.8$	9	$\phi 63$	40*1	4.5*1	49.7	9	20 ±1
NW	M5 x 0.8	$\phi 5.8$	9	$\phi 70$	50	5	47.5	9	25 ±1
NV	M4 x 0.7	$\phi 4.5$	8	$\phi 63$	40*1	4.5*1	49.7	9	20 ±1
NU	M5 x 0.8	$\phi 5.8$	9	$\phi 70$	50	5	47.5	11	23 ±1
NT	M5 x 0.8	$\phi 5.8$	9	$\phi 70$	50	5	46	12	30 ±1
NM1	M4 x 0.7	$\phi 4.5$	8	$\square 47.14$	38.1*1	4.5*1	21	6.35*2	20 ±1
NM2	M4 x 0.7	$\phi 4.5$	8	$\square 50$	36*1	4.5*1	40.1	10	24 ±1

\*1 Dimensions after mounting a ring spacer (Refer to page 59.)

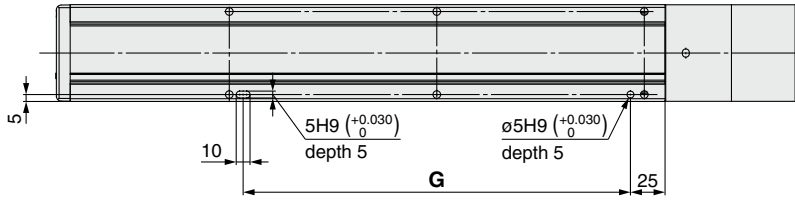
\*2 Shaft type: D-cut shaft

Refer to the "Motor Mounting" on page 59 for details about motor mounting and included parts.

**Dimensions: Ball Screw Drive**

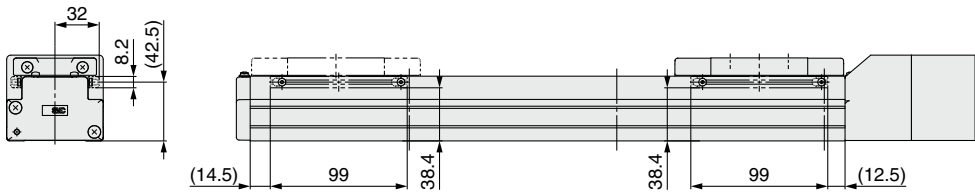
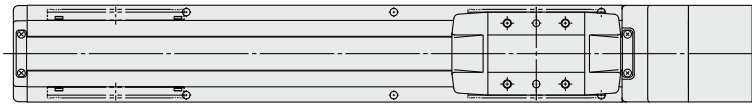
**LEFS32**

**Positioning pin hole\*1 (Option): Body bottom**



\*1 When using the body bottom positioning pin holes, do not simultaneously use the housing B bottom pin hole.

**With auto switch (Option)**



\* For strokes of 99 mm or less, only 2 auto switch mounting brackets can be installed on the motor side.

**Dimensions [mm]**

Stroke	G
50	130
100	130
150	130
200	280
250	280
300	280
350	430
400	430
450	430
500	580
550	580
600	580
650	730
700	730
750	730
800	880
850	880
900	880
950	1030
1000	1030

Model Selection

LEKFS

LEFS

LEFB

LEJS

LET-X11

LEY

LEYG

LESYH

Motor Mounting

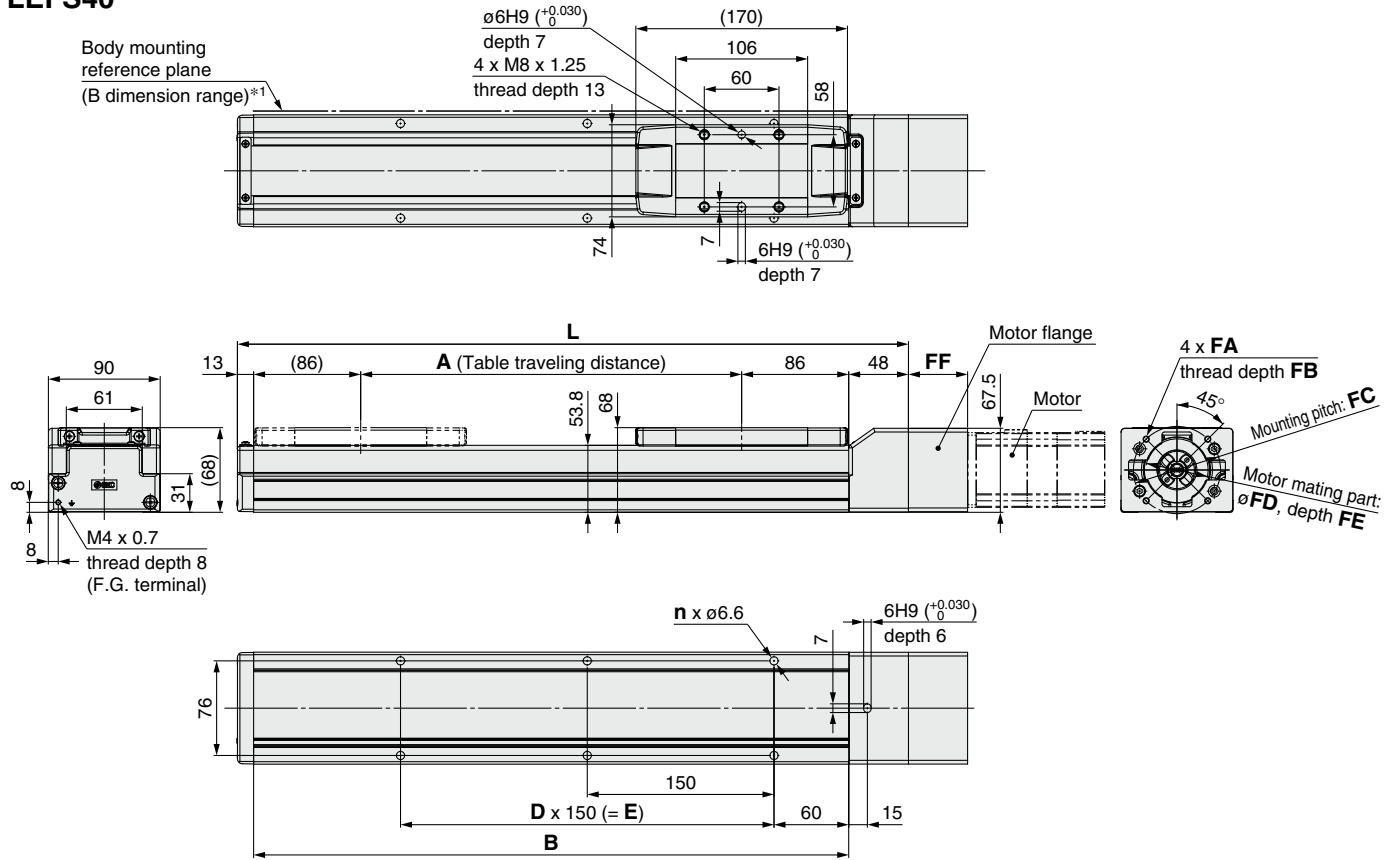
# LEFS Series

Motorless Type

Refer to the "Motor Mounting" on page 59 for details about motor mounting and included parts.

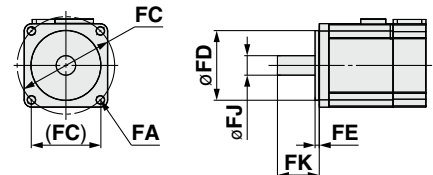
## Dimensions: Ball Screw Drive

### LEFS40



\*1 When mounting the actuator using the body mounting reference plane, set the height of the opposite surface or pin to be 3 mm or more. (Recommended height: 5 mm)

### Applicable motor dimensions



### Dimensions

[mm]

Stroke	L	A	B	n	D	E
150	389	156	328	4	—	150
200	439	206	378	6	2	300
250	489	256	428	6	2	300
300	539	306	478	6	2	300
350	589	356	528	8	3	450
400	639	406	578	8	3	450
450	689	456	628	8	3	450
500	739	506	678	10	4	600
550	789	556	728	10	4	600
600	839	606	778	10	4	600
650	889	656	828	12	5	750
700	939	706	878	12	5	750
750	989	756	928	12	5	750
800	1039	806	978	14	6	900
850	1089	856	1028	14	6	900
900	1139	906	1078	14	6	900
950	1189	956	1128	16	7	1050
1000	1239	1006	1178	16	7	1050
1100	1339	1106	1278	18	8	1200
1200	1439	1206	1378	18	8	1200

### Motor Mounting, Applicable Motor Dimensions [mm]

Mounting type	FA		FB	FC	FD	FE (Max.)	FF	FJ	FK
	Mounting type	Applicable motor							
NZ	M5 x 0.8	ø5.8	9	ø70	50	5	47.5	14	30 ±1
NY	M4 x 0.7	ø4.5	8	ø70	50	5	47.5	14	30 ±1
NX	M5 x 0.8	ø5.8	9	ø63	40*1	4.5*1	51	9	20 ±1
NW	M5 x 0.8	ø5.8	9	ø70	50	5	48.8	9	25 ±1
NV	M4 x 0.7	ø4.5	8	ø63	40*1	4.5*1	51	9	20 ±1
NU	M5 x 0.8	ø5.8	9	ø70	50	5	48.8	11	23 ±1
NT	M5 x 0.8	ø5.8	9	ø70	50	5	47.5	12	30 ±1
NM1	M4 x 0.7	ø4.5	8	□47.14	38.1*1	4.5*1	22	6.35*2	20 ±1
NM2	M4 x 0.7	ø4.5	8	□50	36*1	4.5*1	41.4	10	24 ±1

\*1 Dimensions after mounting a ring spacer (Refer to page 59.)

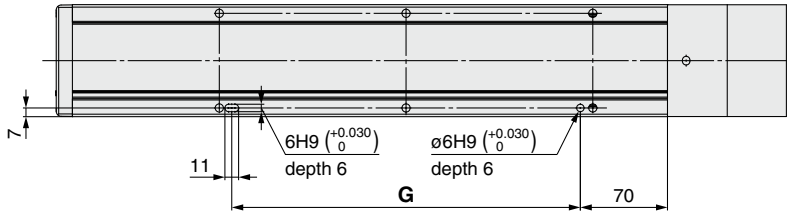
\*2 Shaft type: D-cut shaft

Refer to the "Motor Mounting" on page 59 for details about motor mounting and included parts.

## Dimensions: Ball Screw Drive

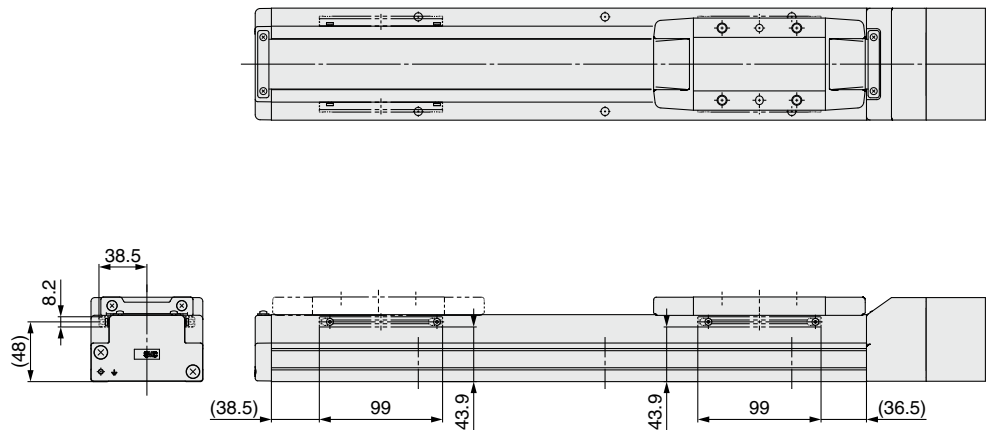
### LEFS40

#### Positioning pin hole\*1 (Option): Body bottom



\*1 When using the body bottom positioning pin holes, do not simultaneously use the housing B bottom pin hole.

#### With auto switch (Option)



#### Dimensions [mm]

Stroke	G
150	130
200	280
250	280
300	280
350	430
400	430
450	430
500	580
550	580
600	580
650	730
700	730
750	730
800	880
850	880
900	880
950	1030
1000	1030
1100	1180
1200	1180

Model Selection

LEKFS

LEFS

LEFB

LEJS

LET-X11

LEY

LEYG

LESYH

Motor Mounting

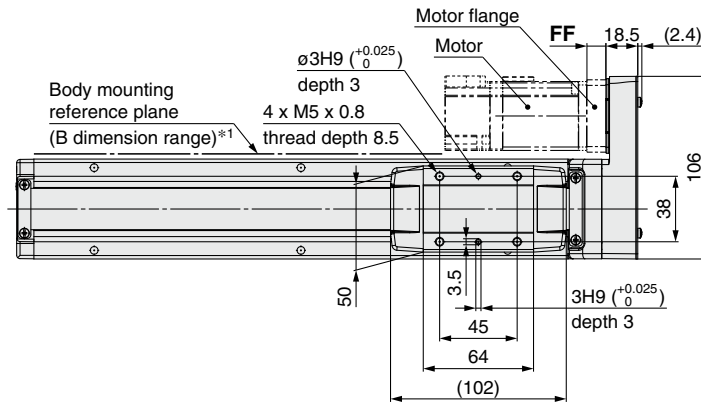
# LEFS Series

Motorless Type

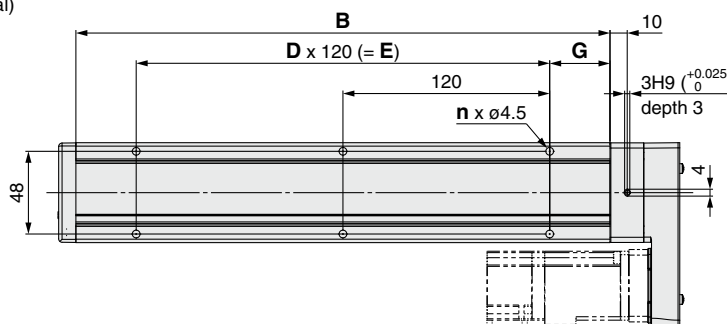
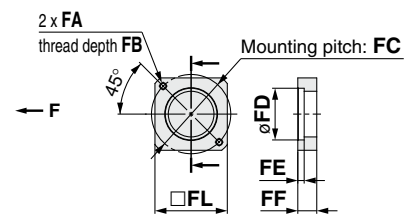
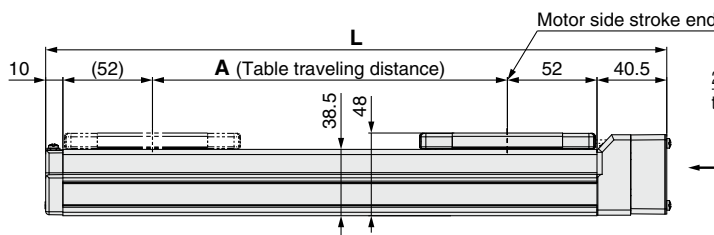
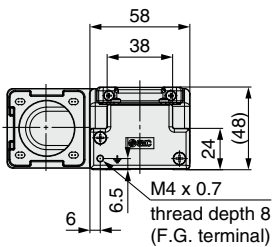
Refer to the "Motor Mounting" on page 60 for details about motor mounting and included parts.

## Dimensions: Ball Screw Drive

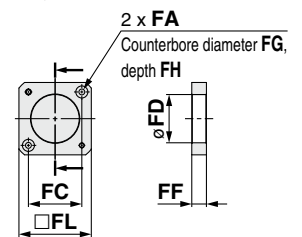
### LEFS25R



### Mounting type: NZ, NY, NX

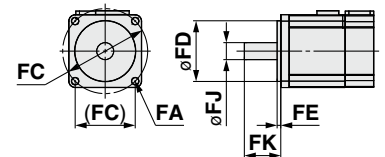


### Mounting type: NM1, NM2, NM3



\*1 When mounting the actuator using the body mounting reference plane, set the height of the opposite surface or pin to be 3 mm or more. (Recommended height: 5 mm)

### Applicable motor dimensions



### Dimensions

Stroke	L	A	B	n	D	E	G
50	210.5	56	160	4	—	—	20
100	260.5	106	210	4	—	—	35
150	310.5	156	260	4	—	—	35
200	360.5	206	310	6	2	240	35
250	410.5	256	360	6	2	240	35
300	460.5	306	410	8	3	360	35
350	510.5	356	460	8	3	360	35
400	560.5	406	510	8	3	360	35
450	610.5	456	560	10	4	480	35
500	660.5	506	610	10	4	480	35
550	710.5	556	660	12	5	600	35
600	760.5	606	710	12	5	600	35
650	810.5	656	760	12	5	600	35
700	860.5	706	810	14	6	720	35
750	910.5	756	860	14	6	720	35
800	960.5	806	910	16	7	840	35

### Motor Mounting, Applicable Motor Dimensions [mm]

Mounting type	FA		FB	FC	FD	FE (Max.)	FF	FG	FH	FJ	FK	FL
	Mounting type	Applicable motor										
NZ	M4 x 0.7	ø4.5	7.5	ø46	30	3.7	11	—	—	8	25 ±1	42
NY	M3 x 0.5	ø3.4	5.5	ø45	30	5	11	—	—	8	25 ±1	38
NX	M4 x 0.7	ø4.5	7	ø46	30	3.7	8	—	—	8	18 ±1	42
NM1	ø3.4	M3	—	□31	28	—	8.5	7	3.5	5*1	24 ±1	42
NM2	ø3.4	M3	—	□31	28	—	8.5	7	3.5	6	20 ±1	42
NM3	ø3.4	M3	—	□31	28	—	5.5	7	3.5	5*1	20 ±1	42

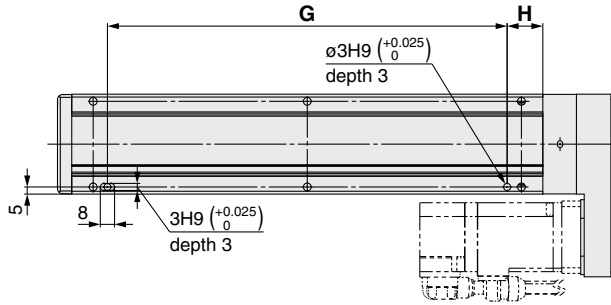
\*1 Shaft type: D-cut shaft

Refer to the "Motor Mounting" on page 60 for details about motor mounting and included parts.

**Dimensions: Ball Screw Drive**

**LEFS25R**

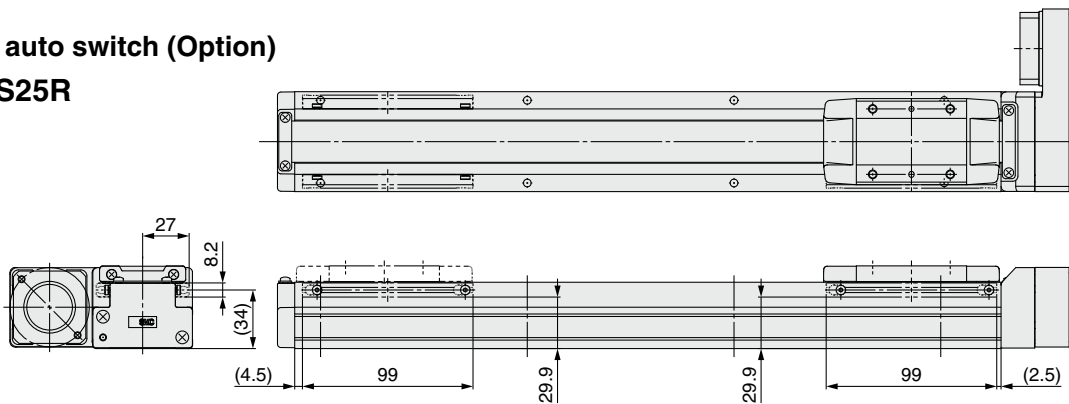
Positioning pin hole\*1 (Option): Body bottom



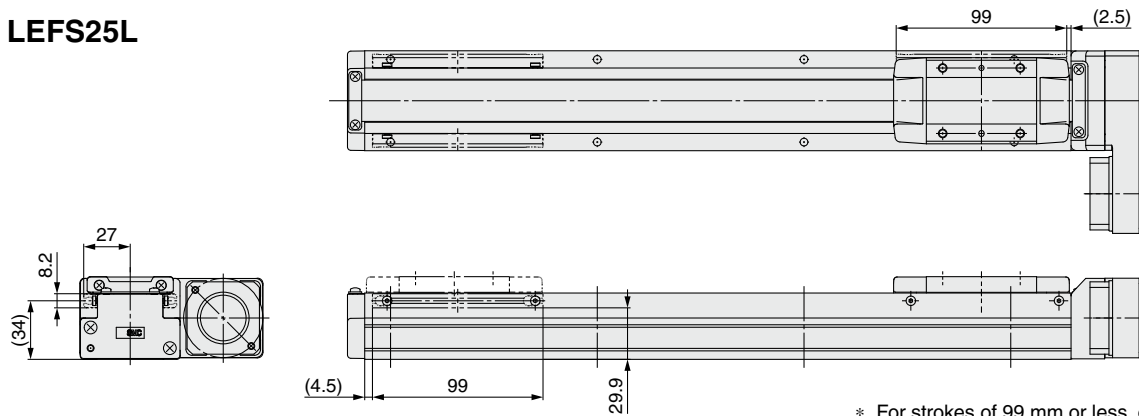
\*1 When using the body bottom positioning pin holes, do not simultaneously use the housing B bottom pin hole.

With auto switch (Option)

**LEFS25R**



**LEFS25L**



**Dimensions [mm]**

Stroke	G	H
50	100	30
100	100	45
150	100	45
200	220	45
250	220	45
300	340	45
350	340	45
400	340	45
450	460	45
500	460	45
550	580	45
600	580	45
650	580	45
700	700	45
750	700	45
800	820	45

\* For strokes of 99 mm or less, only 1 auto switch mounting bracket can be installed on the motor side.

Model Selection

LEKFS

LEFS

LEFB

LEJS

LET-X11

LEY

LEYG

LESYH

Motor Mounting



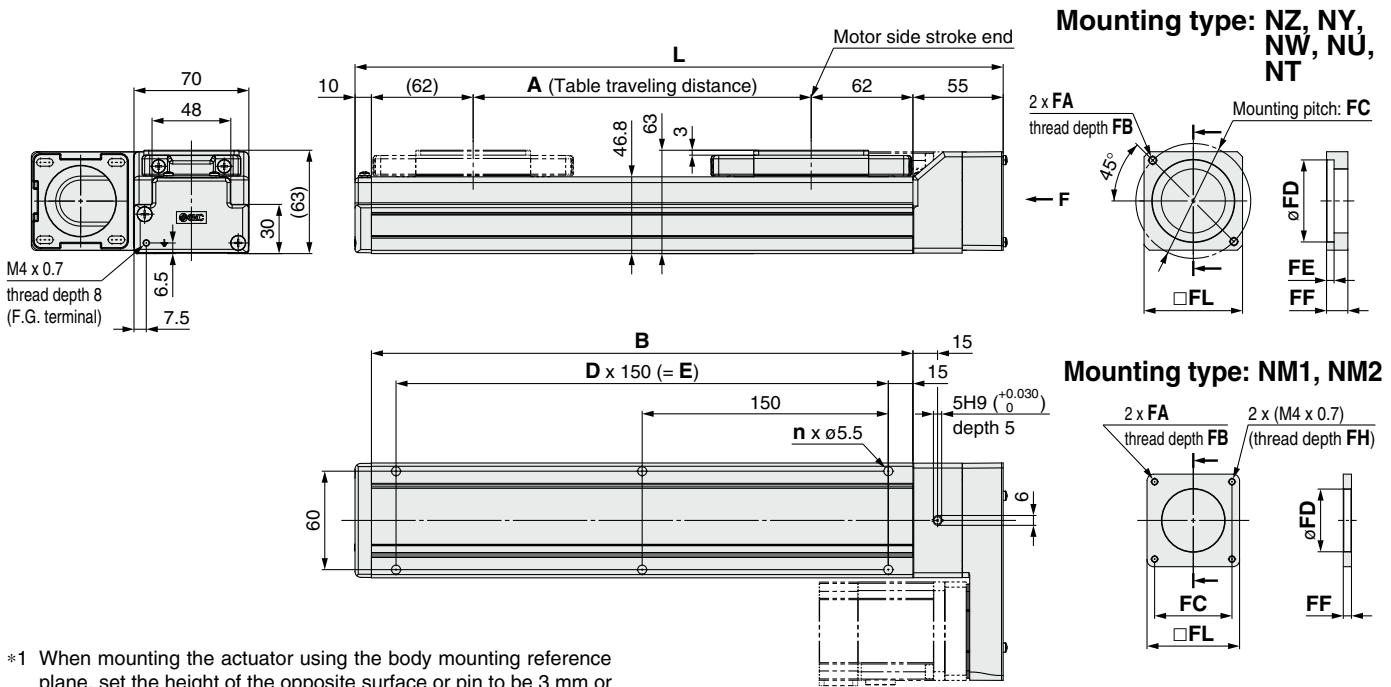
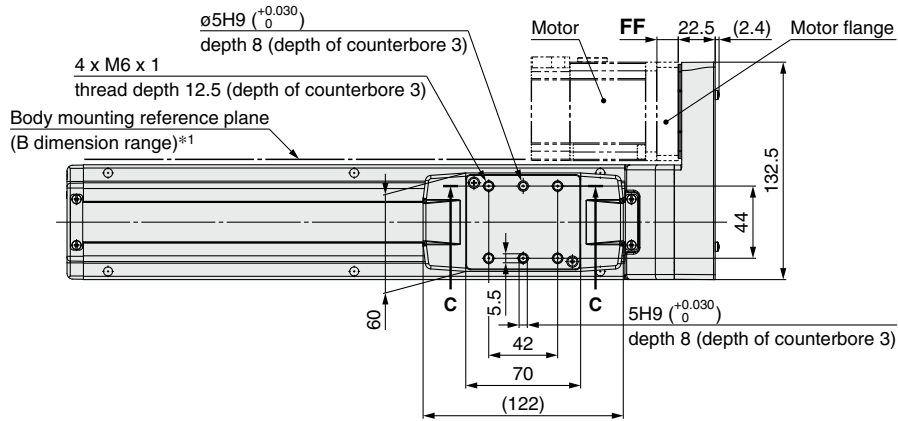
# LEFS Series

Motorless Type

Refer to the "Motor Mounting" on page 60 for details about motor mounting and included parts.

## Dimensions: Ball Screw Drive

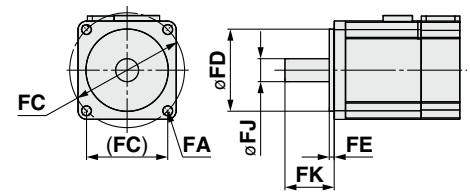
### LEFS32R



\*1 When mounting the actuator using the body mounting reference plane, set the height of the opposite surface or pin to be 3 mm or more. (Recommended height: 5 mm)

Stroke	L	A	B	n	D	E
50	245	56	180	4	—	—
100	295	106	230	4	—	—
150	345	156	280	4	—	—
200	395	206	330	6	2	300
250	445	256	380	6	2	300
300	495	306	430	6	2	300
350	545	356	480	8	3	450
400	595	406	530	8	3	450
450	645	456	580	8	3	450
500	695	506	630	10	4	600
550	745	556	680	10	4	600
600	795	606	730	10	4	600
650	845	656	780	12	5	750
700	895	706	830	12	5	750
750	945	756	880	12	5	750
800	995	806	930	14	6	900
850	1045	856	980	14	6	900
900	1095	906	1030	14	6	900
950	1145	956	1080	16	7	1050
1000	1195	1006	1130	16	7	1050

### Applicable motor dimensions



### Motor Mounting, Applicable Motor Dimensions [mm]

Mounting type	FA		FB	FC	FD	FE (Max.)	FF	FJ	FK	FL	FM
	Mounting type	Applicable motor									
NZ	M5 x 0.8	$\phi 5.8$	8.5	$\phi 70$	50	4.6	13	14	30 ±1	60	—
NY	M4 x 0.7	$\phi 4.5$	8	$\phi 70$	50	4.6	13	11	30 ±1	60	—
NW	M5 x 0.8	$\phi 5.8$	8.5	$\phi 70$	50	4.6	13	9	25 ±1	60	—
NU	M5 x 0.8	$\phi 5.8$	8.5	$\phi 70$	50	4.6	10.6	11	23 ±1	60	—
NT	M5 x 0.8	$\phi 5.8$	8.5	$\phi 70$	50	4.6	17	12	30 ±1	60	—
NM1	M4 x 0.7	$\phi 4.5$	5	$\square 47.14$	38.2	—	5	6.35*1	20 ±1	56.4	5
NM2	M4 x 0.7	$\phi 4.5$	8	$\square 50$	38.2	—	11.5	10	24 ±1	60	7

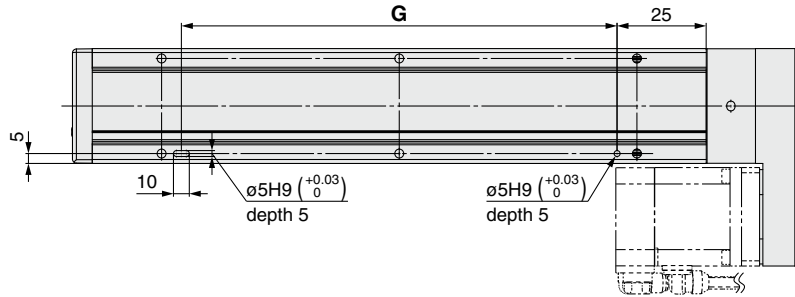
\*1 Shaft type: D-cut shaft

Refer to the "Motor Mounting" on page 60 for details about motor mounting and included parts.

**Dimensions: Ball Screw Drive**

**LEFS32R**

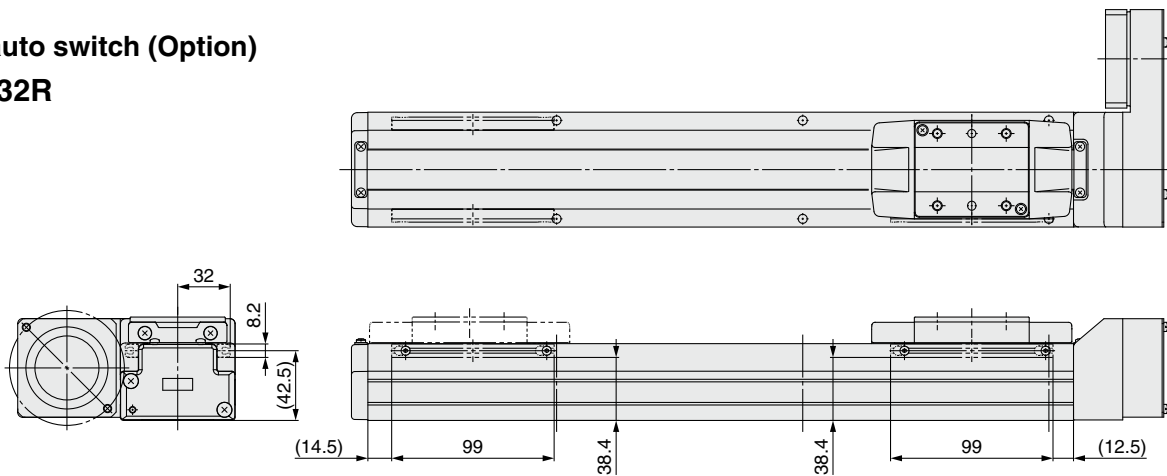
Positioning pin hole\*1 (Option): Body bottom



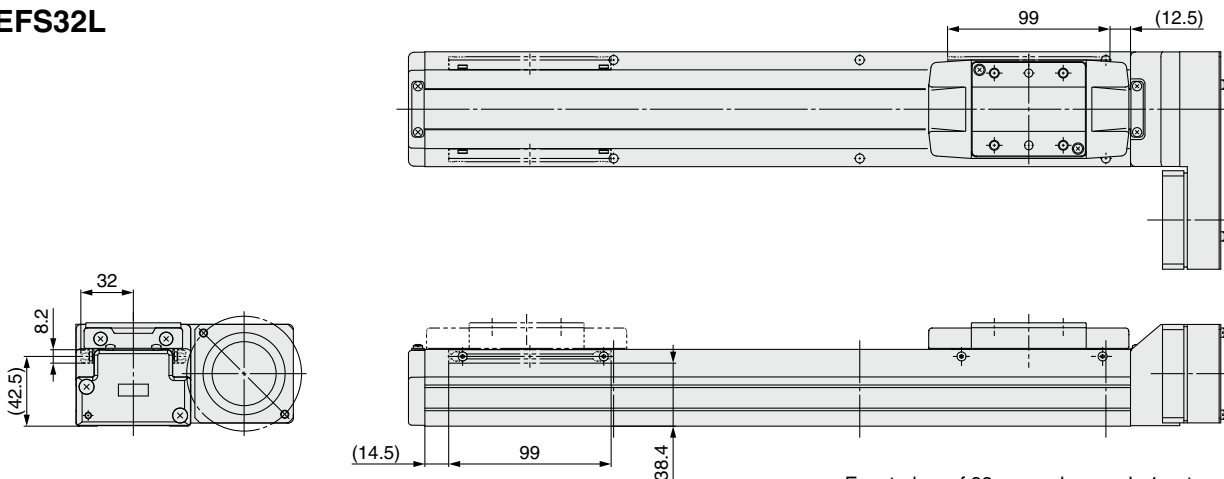
\*1 When using the body bottom positioning pin holes, do not simultaneously use the housing B bottom pin hole.

With auto switch (Option)

**LEFS32R**



**LEFS32L**



\* For strokes of 99 mm or less, only 1 auto switch mounting bracket can be installed on the motor side.

Stroke	G [mm]
50	130
100	130
150	130
200	280
250	280
300	280
350	430
400	430
450	430
500	580

Stroke	G [mm]
550	580
600	580
650	730
700	730
750	730
800	880
850	880
900	880
950	1030
1000	1030

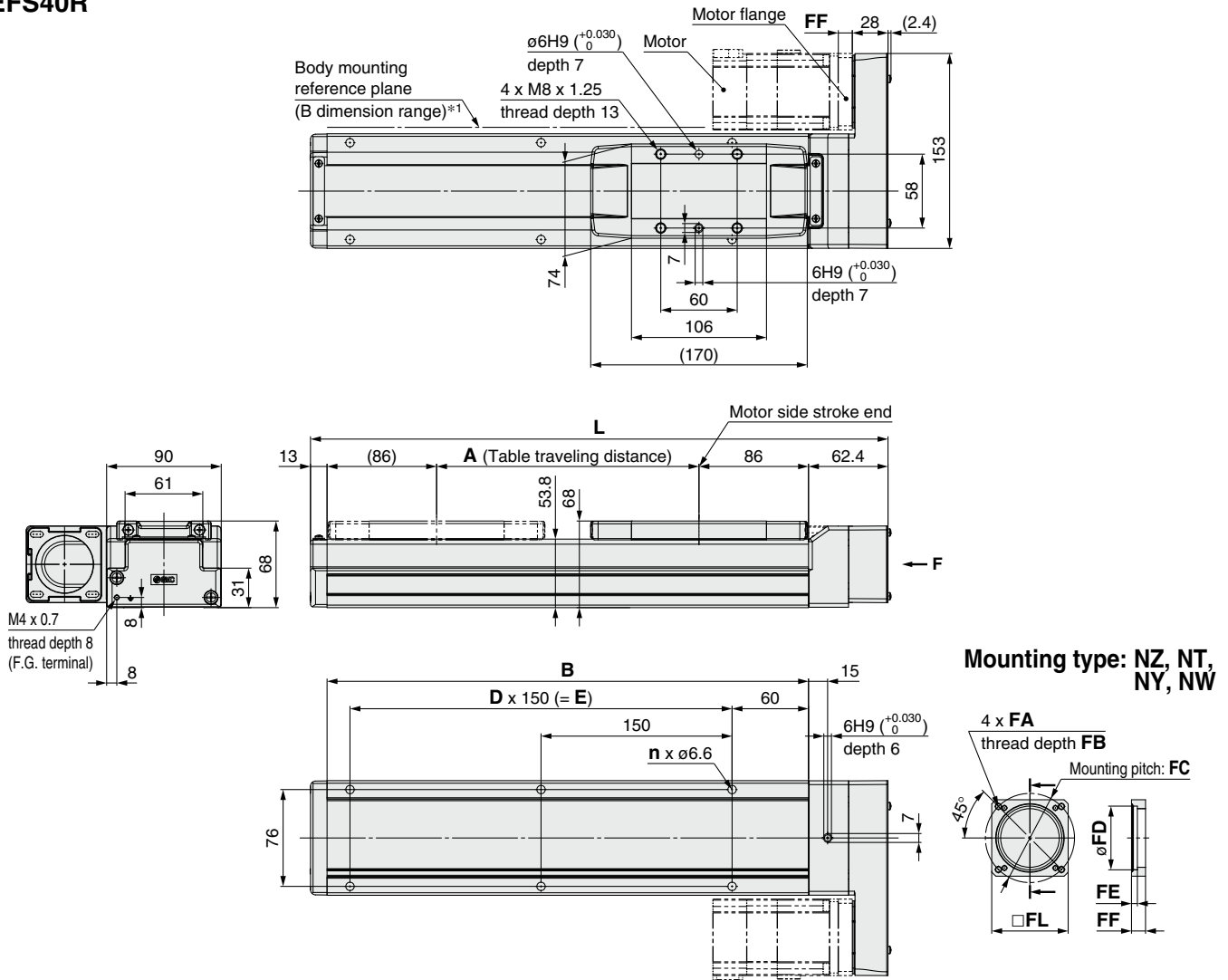
# LEFS Series

Motorless Type

Refer to the "Motor Mounting" on page 60 for details about motor mounting and included parts.

## Dimensions: Ball Screw Drive

### LEFS40R

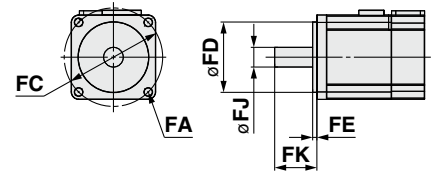


Mounting type: NZ, NT, NY, NW

### Dimensions

Stroke	L	A	B	n	D	E
150	403.4	156	328	4	—	150
200	453.4	206	378	6	2	300
250	503.4	256	428	6	2	300
300	553.4	306	478	6	2	300
350	603.4	356	528	8	3	450
400	653.4	406	578	8	3	450
450	703.4	456	628	8	3	450
500	753.4	506	678	10	4	600
550	803.4	556	728	10	4	600
600	853.4	606	778	10	4	600
650	903.4	656	828	12	5	750
700	953.4	706	878	12	5	750
750	1003.4	756	928	12	5	750
800	1053.4	806	978	14	6	900
850	1103.4	856	1028	14	6	900
900	1153.4	906	1078	14	6	900
950	1203.4	956	1128	16	7	1050
1000	1253.4	1006	1178	16	7	1050
1100	1353.4	1106	1278	18	8	1200
1200	1453.4	1206	1378	18	8	1200

### Applicable motor dimensions



\*1 When mounting the actuator using the body mounting reference plane, set the height of the opposite surface or pin to be 3 mm or more. (Recommended height: 5 mm)

### Motor Mounting, Applicable Motor Dimensions [mm]

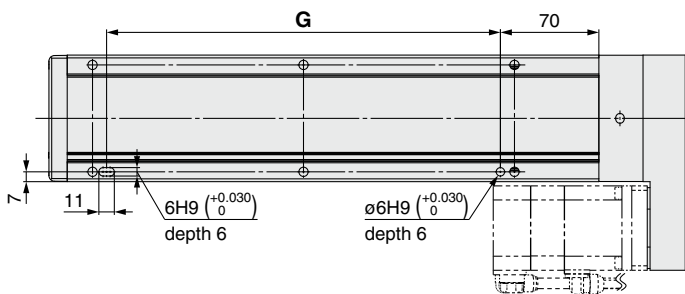
Mounting type	FA		FB	FC	FD	FE (Max.)	FF	FJ	FK	FL
	Mounting type	Applicable motor								
NZ	M5 x 0.8	ø5.8	8.5	ø70	50	4.6	11	14	30 ±1	60
NY	M4 x 0.7	ø4.5	8	ø70	50	4.6	11	14	30 ±1	60
NW	M5 x 0.8	ø5.8	8.5	ø70	50	4.6	11	9	25 ±1	60
NT	M5 x 0.8	ø5.8	8.5	ø70	50	4.6	14.5	12	30 ±1	60

Refer to the "Motor Mounting" on page 60 for details about motor mounting and included parts.

**Dimensions: Ball Screw Drive**

**LEFS40R**

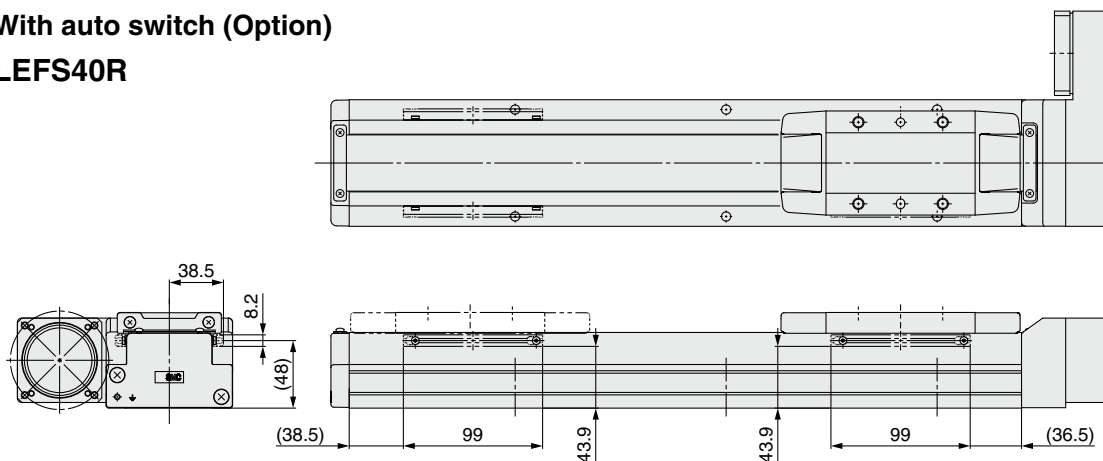
Positioning pin hole\*1 (Option): Body bottom



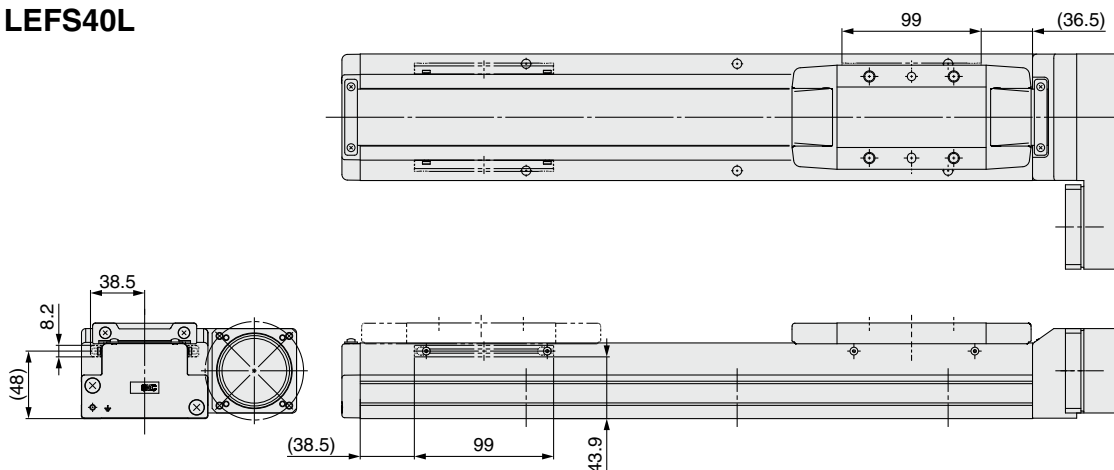
\*1 When using the body bottom positioning pin holes, do not simultaneously use the housing B bottom pin hole.

With auto switch (Option)

**LEFS40R**



**LEFS40L**



**Dimensions [mm]**

Stroke	G
150	130
200	280
250	280
300	280
350	430
400	430
450	430
500	580
550	580
600	580

**Dimensions [mm]**

Stroke	G
650	730
700	730
750	730
800	880
850	880
900	880
950	1030
1000	1030
1100	1180
1200	1180

Model Selection

LEKFS

LEFS

LEFB

LEJS

LET-X11

LEY

LEYG

LESYH

Motor Mounting

# LEFS Series

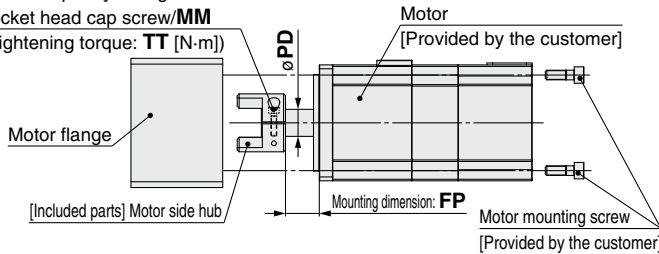
Motorless Type

- When mounting a hub/pulley, remove all oil content, dust, dirt, etc., adhered to the shaft and the inside of the hub/pulley beforehand.
- This product does not include the motor and motor mounting screws. (Provided by the customer)
- Prepare a motor with a round shaft end.  
For the "NM1" or "NM3," prepare a D-cut shaft.
- Take measures to prevent the loosening of the motor mounting screws and hexagon socket head set screws.

## Motor Mounting: In-line

### ■ Mounting type: NZ, NY, NX, NW, NV, NU, NT, NM2

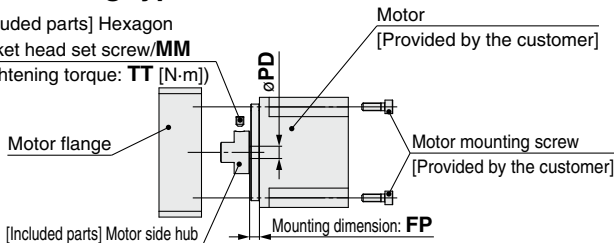
[Included parts] Hexagon socket head cap screw/MM  
(Tightening torque: TT [N·m])



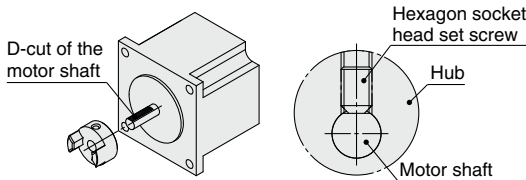
\* Note for mounting a motor to the NM2 mounting type  
Motor mounting screws for the LEFS25 are fixed starting from the motor flange side. (Opposite of the drawing)

### ■ Mounting type: NM1

[Included parts] Hexagon socket head set screw/MM  
(Tightening torque: TT [N·m])



\* Note for mounting a hub to the NM1 mounting type  
When mounting the hub to the motor, make sure to position the set screw vertical to the D-cut surface of the motor shaft. (Refer to the figure shown below.)  
\* Motor mounting screws for the LEFS25 are fixed starting from the motor flange side. (Opposite of the drawing)



### Size: 25 Hub Mounting Dimensions [mm]

Mounting type	MM	TT	PD	FP
NZ	M2.5 x 10	1.0	8	12.4
NY	M2.5 x 10	1.0	8	12.4
NX	M2.5 x 10	1.0	8	6.9
NM1	M3 x 4	0.63	5	11.9
NM2	M2.5 x 10	1.0	6	10

### Size: 32 Hub Mounting Dimensions [mm]

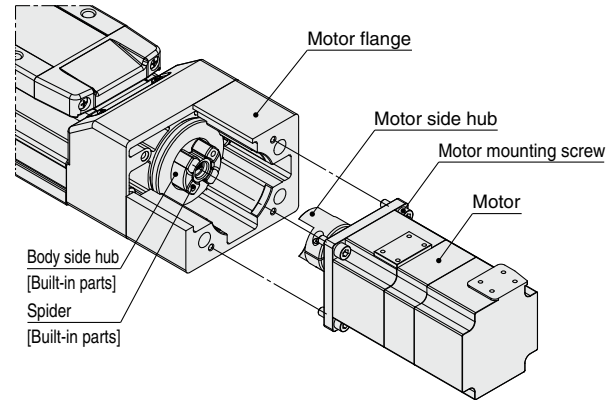
Mounting type	MM	TT	PD	FP
NZ	M3 x 12	1.5	14	17.5
NY	M4 x 12	2.5	11	17.5
NX	M4 x 12	2.5	9	5.2
NW	M4 x 12	2.5	9	13
NV	M4 x 12	2.5	9	5.2
NU	M4 x 12	2.5	11	13
NT	M3 x 12	1.5	12	17.5
NM1	M4 x 5	1.5	6.35	5.4
NM2	M4 x 12	2.5	10	12

### Size: 40 Hub Mounting Dimensions [mm]

Mounting type	MM	TT	PD	FP
NZ	M3 x 12	1.5	14	17.5
NY	M3 x 12	1.5	14	17.5
NX	M4 x 12	2.5	9	5.2
NW	M4 x 12	2.5	9	13
NV	M4 x 12	2.5	9	5.2
NU	M4 x 12	2.5	11	13
NT	M3 x 12	1.5	12	17.5
NM1	M4 x 5	1.5	6.35	5.1
NM2	M4 x 12	2.5	10	12

## Motor Mounting Diagram

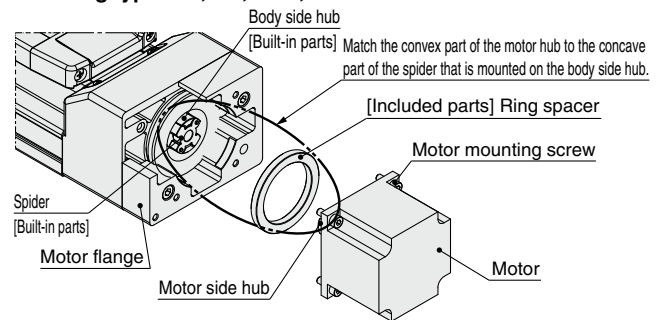
### Mounting type: NZ, NY, NW, NU, NT



#### Mounting procedure

- 1) Secure the motor hub to the motor (provided by the customer) with the MM hexagon socket head cap screw.
- 2) Check the motor hub position, and then insert it. (Refer to the mounting diagram.)
- 3) Secure the motor to the motor flange with the motor mounting screws (provided by the customer).

### Mounting type: NX, NV, NM1, NM2



#### Mounting procedure

- 1) Secure the motor hub to the motor (provided by the customer) with the MM hexagon socket head cap screw (Mounting type: NX, NV, NM2) or MM hexagon socket head set screw (Mounting type: NM1).
- 2) Check the motor hub position, and then insert it. (Refer to the mounting diagram.)
- 3) Mount the ring spacer to the motor.
- 4) Secure the motor to the motor flange with the motor mounting screws (provided by the customer).
- \* For the LEFS25
- 4) Remove the motor flange, which has been temporarily mounted, from the housing B, and secure the motor to the motor flange using the motor mounting screws (that are to be prepared by the customer).
- 5) Tighten the motor flange to the housing B using motor flange mounting screws (included parts). (Tightening torque: 1.5 [N·m])

## Included Parts List

### Size: 25

Description	Quantity					
	Mounting type					
	NZ	NY	NX	NM1	NM2	
Motor side hub	1	1	1	1	1	
Hexagon socket head cap screw/set screw (to secure the hub)*1	1	1	1	1	1	
Hexagon socket head cap screw M4 x 18 (to secure the motor flange)	—	—	—	2	2	
Ring spacer	—	—	—	1	1	

\*1 For screw sizes, refer to the hub mounting dimensions.

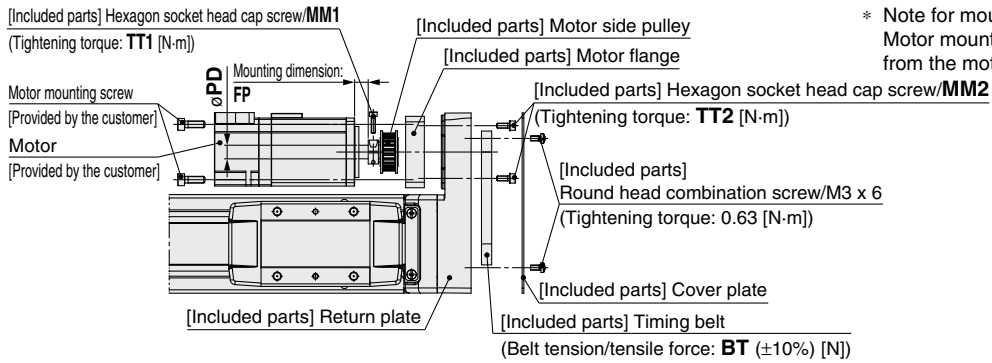
### Size: 32, 40

Description	Quantity											
	Mounting type											
	NZ	NY	NX	NW	NV	NU	NT	NM1	NM2			
Motor side hub	1	1	1	1	1	1	1	1	1	1	1	
Hexagon socket head cap screw/set screw (to secure the hub)*1	1	1	1	1	1	1	1	1	1	1	1	
Ring spacer	—	—	1	—	1	—	—	—	1	1	1	

\*1 For screw sizes, refer to the hub mounting dimensions.

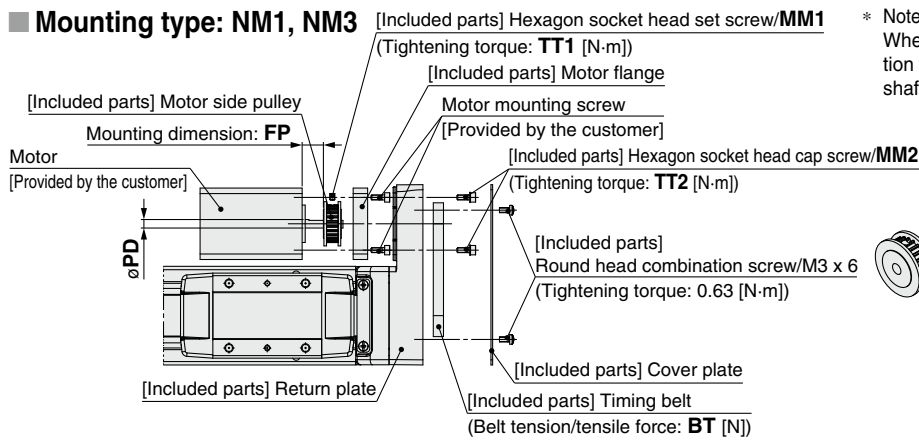
**Motor Mounting: Motor Parallel**

**■ Mounting type: NZ, NY, NX, NW, NU, NT, NM2**

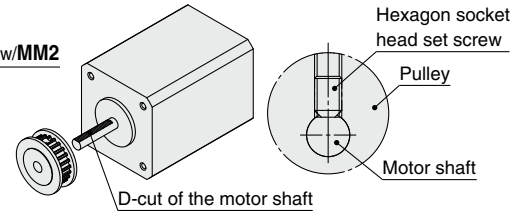


\* Note for mounting a motor to the NM2 mounting type  
Motor mounting screws for the LEFS25 are fixed starting from the motor flange side. (Opposite of the drawing)

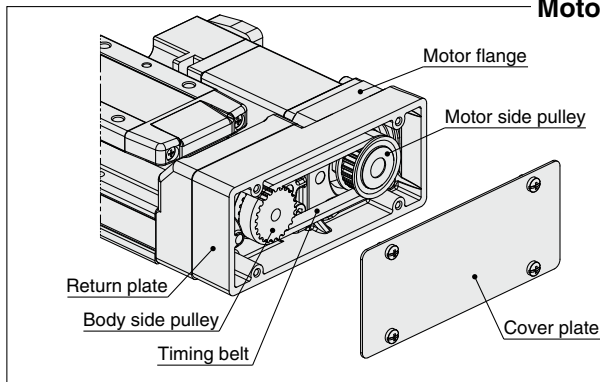
**■ Mounting type: NM1, NM3**



\* Note for mounting a pulley to the NM1 and NM3 mounting type  
When mounting the pulley to the motor, make sure to position the set screw vertical to the D-cut surface of the motor shaft. (Refer to the figure shown below.)



**Motor Mounting Diagram**



**Mounting procedure**

- 1) Secure the motor side pulley to the motor (provided by the customer) with the MM1 hexagon socket head cap screw. For mounting type "NM1/NM3", secure them with the MM1 hexagon socket head set screw.
- 2) Secure the motor to the motor flange with the motor mounting screws (provided by the customer).
- 3) Put the timing belt on the motor side pulley and body side pulley, and then secure it temporarily with the hexagon socket head cap screws (2 x MM2). (Refer to the left diagram.)
- 4) Apply the belt tension/tensile force: BT and tighten the timing belt with the hexagon socket head cap screws (2 x MM2).
- 5) Secure the return plate with the round head combination screws (4 x M3 x 6).

**Size: 25 Pulley Mounting Dimensions [mm]**

Mounting type	MM1	TT1	MM2	TT2	PD	FP	BT
NZ/NY	M2.5 x 10	1.0	M3 x 8	0.63	8	8	19.6
NX	M2.5 x 10	1.0	M3 x 8	0.63	8	5	19.6
NM1	M3 x 5	0.63	M3 x 8	0.63	5	12.5	19.6
NM2	M2.5 x 10	1.0	M3 x 8	0.63	6	5.5	19.6
NM3	M3 x 5	0.63	M3 x 8	0.63	5	9.5	19.6

**Size: 32 Pulley Mounting Dimensions [mm]**

Mounting type	MM1	TT1	MM2	TT2	PD	FP	BT
NZ	M3 x 12	1.5	M4 x 12	1.5	14	6.6	49
NY	M3 x 12	1.5	M4 x 12	1.5	11	6.6	49
NW	M4 x 12	2.5	M4 x 12	1.5	9	6.6	49
NU	M3 x 12	1.5	M4 x 12	1.5	11	4.2	49
NT	M3 x 12	1.5	M4 x 12	1.5	12	10.6	49
NM1	M3 x 4	0.63	M4 x 12	1.5	6.35	10.6	49
NM2	M3 x 12	1.5	M4 x 12	1.5	10	5.1	49

**Size: 40 Pulley Mounting Dimensions [mm]**

Mounting type	MM1	TT1	MM2	TT2	PD	FP	BT
NZ/NY	M4 x 12	2.5	M4 x 12	1.5	14	4.5	98.1
NW	M4 x 12	2.5	M4 x 12	1.5	9	4.5	98.1
NT	M4 x 12	2.5	M4 x 12	1.5	12	8	98.1

**Included Parts List**

**Size: 25**

Description	Quantity
Motor flange	1
Motor side pulley	1
Cover plate	1
Timing belt	1
Hexagon socket head cap screw/set screw (to secure the pulley)*1	1
Hexagon socket head cap screw*1 (to secure the motor flange)	2
Round head combination screw M3 x 6	4

\*1 For screw sizes, refer to the pulley mounting dimensions.

**Size: 32, 40**

Description	Quantity	
	32	40
Motor flange	1	1
Motor side pulley	1	1
Cover plate	1	1
Timing belt	1	1
Hexagon socket head cap screw/set screw (to secure the pulley)*1	1	1
Hexagon socket head cap screw*1 (to secure the motor flange)	2	4
Round head combination screw M3 x 6	4	4

\*1 For screw sizes, refer to the pulley mounting dimensions.

# LEFS Series Motor Mounting Parts

## Motor Flange Option

A motor can be added to the motorless specification after purchase. The applicable mounting types are shown below. (Except NM1 and NM3)  
Use the following part numbers to select a compatible motor flange option and place an order.

## How to Order

**LEFS-MF** 25   **-NZ**

Ball screw drive •

① Size                      ② Motor mounting position                      ③ Mounting type

25	For LEF□25
32	For LEF□32
40	For LEF□40

Nil	In-line
P	(Right side/Left side) parallel

NZ	NV
NY	NU
NX	NT
NW	NM2

\* Select only NZ, NY, NX or NM2 for the LEFS-MF25.

## Compatible Motors and Mounting Types\*5

Applicable motor model		Size/Mounting type															
Manufacturer	Series	25						32/40									
		NZ	NY	NX	NM1	NM2	NM3	NZ	NY	NX	NW	NV	NU	NT	NM1	NM2	
Mitsubishi Electric Corporation	MELSERVO JN/J4/J5	●	—	—	—	—	—	●	—	—	—	—	—	—	—	—	—
YASKAWA Electric Corporation	Σ-V/7/X	●*4	—	—	—	—	—	●	—	—	—	—	—	—	—	—	—
SANYO DENKI CO., LTD.	SANMOTION R	●	—	—	—	—	—	●	—	—	—	—	—	—	—	—	—
OMRON Corporation	OMNUC G5/1S	●	—	—	—	—	—	—	●	—	—	—	—	—	—	—	—
Panasonic Corporation	MINAS A5/A6	● (MHMF only)	●	—	—	—	—	—	●	—	—	—	—	—	—	—	—
FANUC CORPORATION	βis (-B)	●	—	—	—	—	—	● (β1 only)	—	—	●	—	—	—	—	—	—
NIDEC SANKYO CORPORATION	S-FLAG	●	—	—	—	—	—	●	—	—	—	—	—	—	—	—	—
KEYENCE CORPORATION	SV/SV2	●*4	—	—	—	—	—	●	—	—	—	—	—	—	—	—	—
FUJI ELECTRIC CO., LTD.	ALPHA7	●	—	—	—	—	—	●	—	—	—	—	—	—	—	—	—
MinebeaMitsumi Inc.	Hybrid stepping motors	—	—	—	●*1	—	●*3	—	—	—	—	—	—	—	—	—	●*2
Shinano Kenshi Co., Ltd.	CSB-BZ	—	—	—	●*1	—	●*3	—	—	—	—	—	—	—	—	—	—
ORIENTAL MOTOR Co., Ltd.	α STEP AR/AZ	—	—	—	—	● (46 only)	—	—	—	—	—	—	—	—	—	—	●*2
FASTECH Co.,Ltd.	Ezi-SERVO	—	—	—	●	—	—	—	—	—	—	—	—	—	—	—	●*2
Rockwell Automation, Inc. (Allen-Bradley)	Kinetix MP/VP/TL	● (TL only)	—	—	—	—	—	—	—	●*1 (MP/VP only)	—	—	—	—	● (TL only)	—	—
Beckhoff Automation GmbH	AM 30/31/80/81	●	—	—	—	—	—	—	—	●*1 (80/81 only)	—	●*1 (30 only)	●*2 (31 only)	—	—	—	—
Siemens AG	SIMOTICS S-1FK7	—	—	●	—	—	—	—	—	●*1	—	—	—	—	—	—	—
Delta Electronics, Inc.	ASDA-A2	●	—	—	—	—	—	●	—	—	—	—	—	—	—	—	—
ANCA Motion	AMD2000	●	—	—	—	—	—	●	—	—	—	—	—	—	—	—	—

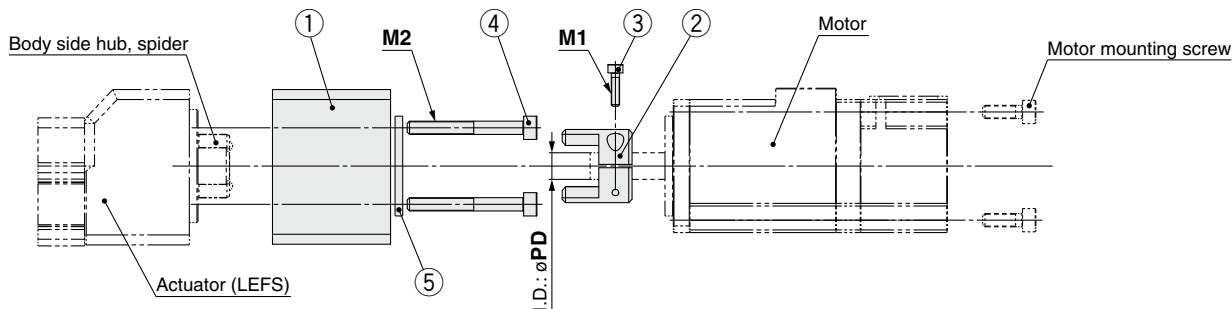
\* When the LEF□□□<sup>NM1</sup>□□<sup>NM3</sup>□□ is purchased, it is not possible to change to other mounting types.

- \*1 Motor mounting position: In-line only
- \*2 Only size 32 is available when the motor mounting position is right (or left) side parallel.
- \*3 Motor mounting position: Right (or left) side parallel only
- \*4 For some motors, the connector may protrude from the motor body. Be sure to check for interference with the mounting surface before selecting a motor.
- \*5 The compatible motors and mounting types are typical examples. Select the mounting type after referring to the "Motor Mounting, Applicable Motor Dimensions" tables on the following actuator body "Dimensions" pages.



## Dimensions: Motor Flange Option

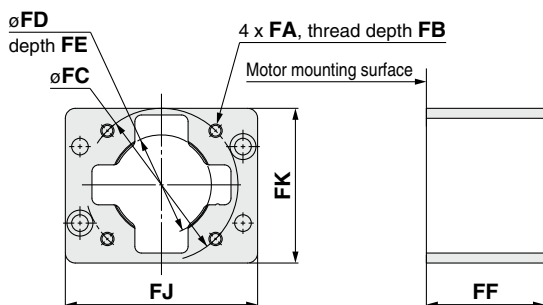
### Motor mounting position: In-line



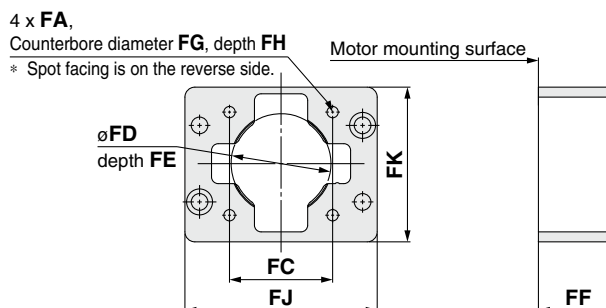
### Component Parts

No.	Description	Quantity
1	Motor flange	1
2	Hub (Motor side)	1
3	Hexagon socket head cap screw (to secure the hub)	1
4	Hexagon socket head cap screw (to mount the motor flange)	2
5	Ring spacer (Only for mounting types "NM2" in size 25 and "NX," "NV," and "NM2" in sizes 32 and 40)	1

### Motor flange details



### For NM2



### Dimensions

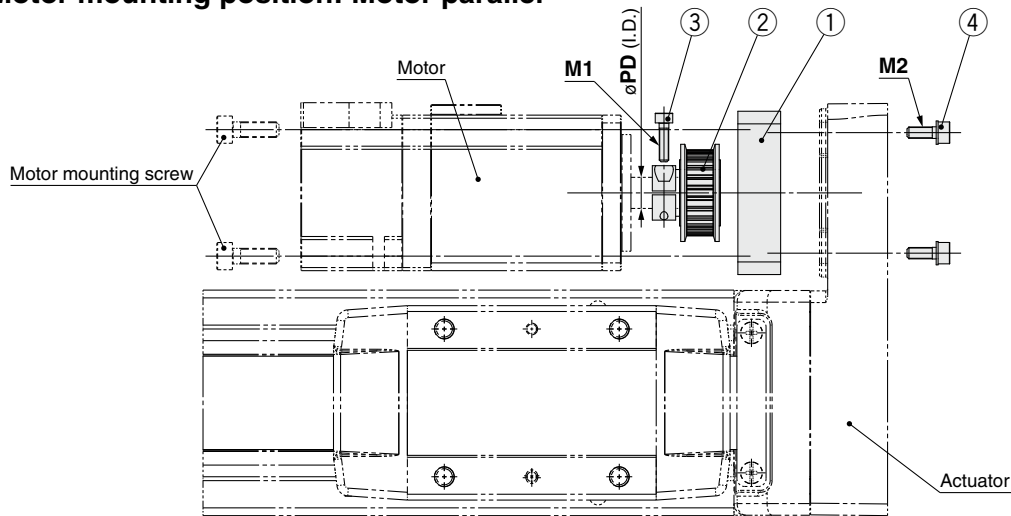
Size	Mounting type	FA	FB	FC	FD	FE	FF	FG	FH	FJ	FK	M1	M2	PD
25	NZ/NX	M4 x 0.7	8	ø46	30	3.5	35.5	—	—	57.8	46.5	M2.5 x 10	M4 x 35	8
	NY	M3 x 0.5	8	ø45	30	3.5	35.5	—	—	57.8	46.5	M2.5 x 10	M4 x 35	8
	NM2	ø3.4	—	□31	22*1	2.5*1	33.1	6.5	22.6	57.8	46.5	M2.5 x 10	M4 x 18	6
32	NZ	M5 x 0.8	9	ø70	50	5	46	—	—	69.8	61.4	M3 x 12	M5 x 40	14
	NY	M4 x 0.7	8	ø70	50	5	46	—	—	69.8	61.4	M4 x 12	M5 x 40	11
	NX	M5 x 0.8	9	ø63	40*1	5	49.7	—	—	69.8	61.4	M4 x 12	M5 x 40	9
	NW	M5 x 0.8	9	ø70	50	5	47.5	—	—	69.8	61.4	M4 x 12	M5 x 40	9
	NV	M4 x 0.7	8	ø63	40*1	5	49.7	—	—	69.8	61.4	M4 x 12	M5 x 40	9
	NU	M5 x 0.8	9	ø70	50	5	47.5	—	—	69.8	61.4	M4 x 12	M5 x 40	11
	NT	M5 x 0.8	9	ø70	50	5	46	—	—	69.8	61.4	M3 x 12	M5 x 40	12
40	NM2	M4 x 0.7	8	□50	36*1	4.5*1	40.1	—	—	69.8	61.4	M4 x 12	M5 x 25	10
	NZ	M5 x 0.8	9	ø70	50	5	47.5	—	—	89.8	66.9	M3 x 12	M5 x 40	14
	NY	M4 x 0.7	8	ø70	50	5	47.5	—	—	89.8	66.9	M3 x 12	M5 x 40	14
	NX	M5 x 0.8	9	ø63	40*1	5	51	—	—	89.8	66.9	M4 x 12	M5 x 40	9
	NW	M5 x 0.8	9	ø70	50	5	48.8	—	—	89.8	66.9	M4 x 12	M5 x 40	9
	NV	M4 x 0.7	8	ø63	40*1	5	51	—	—	89.8	66.9	M4 x 12	M5 x 40	9
	NU	M5 x 0.8	9	ø70	50	5	48.8	—	—	89.8	66.9	M4 x 12	M5 x 40	11
40	NT	M5 x 0.8	9	ø70	50	5	47.5	—	—	89.8	66.9	M3 x 12	M5 x 40	12
	NM2	M4 x 0.7	8	□50	36*1	4.5*1	41.4	—	—	89.8	66.9	M4 x 12	M5 x 25	10

\*1 Dimensions after mounting a ring spacer

Model Selection  
 LEKFS  
 LEFS  
 LEFB  
 LEJS  
 LET-X11  
 LEY  
 LEYG  
 LESYH  
 Motor Mounting

## Dimensions: Motor Flange Option

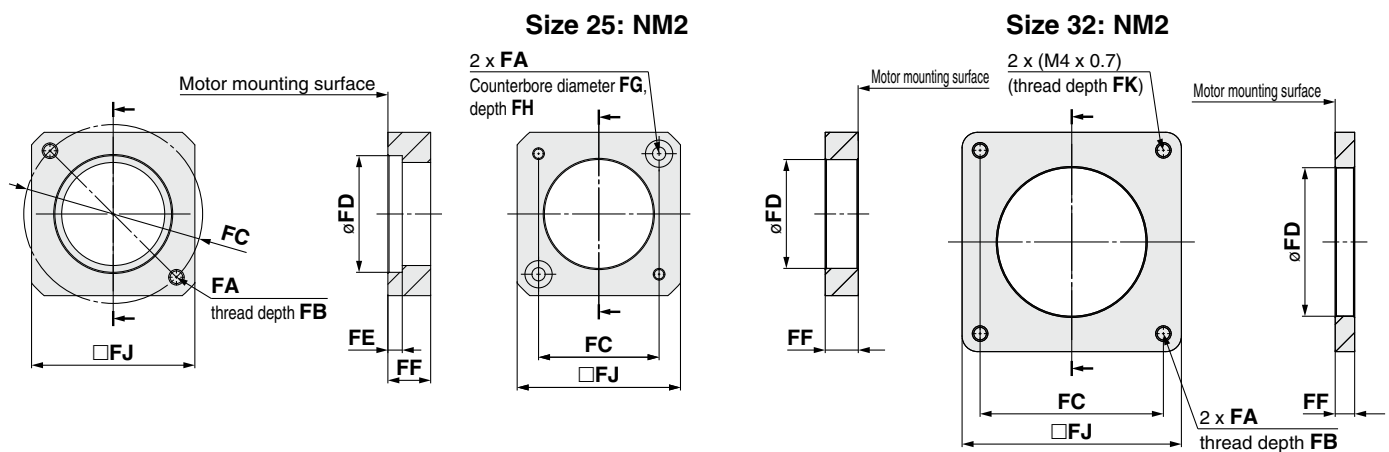
Motor mounting position: Motor parallel



### Component Parts

No.	Description	Quantity	
		25, 32	40
1	Motor flange	1	1
2	Motor pulley	1	1
3	Hexagon socket head cap screw (to secure the pulley)	1	1
4	Hexagon socket head cap screw (to mount the motor flange)	2	4

### Motor flange details



### Dimensions

Size	Mounting type	FA	FB	FC	FD	FE	FF	FG	FH	FJ	FK	M1	M2	PD
25	NZ	2 x M4 x 0.7	7.5	$\phi 46$	30	3.7	11	—	—	42	—	M2.5 x 10	M3 x 8	8
	NY	2 x M3 x 0.5	5.5	$\phi 45$	30	5	11	—	—	38	—	M2.5 x 10	M3 x 8	8
	NX	2 x M4 x 0.7	7	$\phi 46$	30	3.7	8	—	—	42	—	M2.5 x 10	M3 x 8	8
	NM2	$\phi 3.4$	—	$\square 31$	28	—	8.5	7	3.5	42	—	M2.5 x 10	M3 x 8	6
32	NZ	2 x M5 x 0.8	8.5	$\phi 70$	50	4.6	13	—	—	60	—	M3 x 12	M4 x 12	14
	NY	2 x M4 x 0.7	8	$\phi 70$	50	4.6	13	—	—	60	—	M3 x 12	M4 x 12	11
	NW	2 x M5 x 0.8	8.5	$\phi 70$	50	4.6	13	—	—	60	—	M4 x 12	M4 x 12	9
	NU	2 x M5 x 0.8	8.5	$\phi 70$	50	4.6	10.6	—	—	60	—	M3 x 12	M4 x 12	11
	NT	2 x M5 x 0.8	8.5	$\phi 70$	50	4.6	17	—	—	60	—	M3 x 12	M4 x 12	12
	NM2	M4 x 0.7	8	$\square 50$	38.2	—	11.5	—	—	60	7	M3 x 12	M4 x 12	10
40	NZ	4 x M5 x 0.8	8.5	$\phi 70$	50	4.6	11	—	—	60	—	M4 x 12	M4 x 12	14
	NY	4 x M4 x 0.7	8	$\phi 70$	50	4.6	11	—	—	60	—	M4 x 12	M4 x 12	14
	NW	4 x M5 x 0.8	8.5	$\phi 70$	50	4.6	11	—	—	60	—	M4 x 12	M4 x 12	9
	NT	4 x M5 x 0.8	8.5	$\phi 70$	50	4.6	14.5	—	—	60	—	M4 x 12	M4 x 12	12

Motorless Type  
 Electric Actuator/Slider Type  
 Belt Drive/LEFB Series  
**Model Selection**



LEFB Series ▶ p. 69

**Selection Procedure**

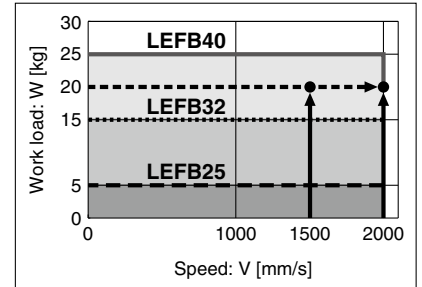
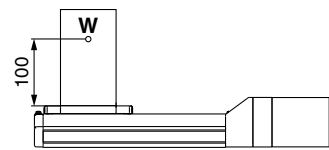


**Selection Example**

The model selection method shown below corresponds to SMC's standard motor. For use in combination with a motor from a different manufacturer, check the available product information of the motor to be used.

**Operating conditions**

- Workpiece mass: 20 [kg]
- Speed: 1500 [mm/s]
- Acceleration/Deceleration: 3000 [mm/s<sup>2</sup>]
- Stroke: 2000 [mm]
- Mounting position: Horizontal upward



<Speed-Work Load Graph> (LEFB40)

**Step 1 Check the work load-speed. <Speed-Work Load Graph>**

Select a model based on the workpiece mass and speed which are within the range of the actuator body specifications while referencing the speed-work load graph (guide) on page 65.

Selection example) The LEFB40□S-2000 can be temporarily selected as a possible candidate based on the graph shown on the right side.

\* Refer to the selection method of motor manufacturers for regeneration resistance.

**Step 2 Check the cycle time.**

Calculate the cycle time using the following calculation method.

**Cycle time:**

T can be found from the following equation.

$$T = T1 + T2 + T3 + T4 \text{ [s]}$$

- T1: Acceleration time and T3: Deceleration time can be found by the following equation.

$$T1 = V/a1 \text{ [s]} \quad T3 = V/a2 \text{ [s]}$$

- T2: Constant speed time can be found from the following equation.

$$T2 = \frac{L - 0.5 \cdot V \cdot (T1 + T3)}{V} \text{ [s]}$$

- T4: Settling time varies depending on the motor type and load. The value below is recommended.

$$T4 = 0.05 \text{ [s]}$$

\* The conditions for the settling time vary depending on the motor or driver to be used.

Calculation example)

T1 to T4 can be calculated as follows.

$$T1 = V/a1 = 1500/3000 = 0.5 \text{ [s]}$$

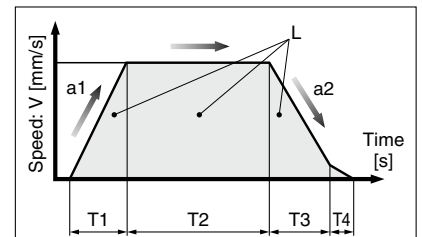
$$T3 = V/a2 = 1500/3000 = 0.5 \text{ [s]}$$

$$T2 = \frac{L - 0.5 \cdot V \cdot (T1 + T3)}{V} = \frac{2000 - 0.5 \cdot 1500 \cdot (0.5 + 0.5)}{1500} = 0.83 \text{ [s]}$$

$$T4 = 0.05 \text{ [s]}$$

The cycle time can be found as follows.

$$T = T1 + T2 + T3 + T4 = 0.5 + 0.83 + 0.5 + 0.05 = 1.88 \text{ [s]}$$



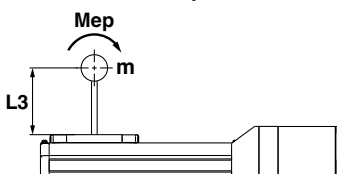
- L : Stroke [mm] ... (Operating condition)
- V : Speed [mm/s] ... (Operating condition)
- a1 : Acceleration [mm/s<sup>2</sup>] ... (Operating condition)
- a2 : Deceleration [mm/s<sup>2</sup>] ... (Operating condition)

- T1: Acceleration time [s]  
Time until reaching the set speed
- T2: Constant speed time [s]  
Time while the actuator is operating at a constant speed
- T3: Deceleration time [s]  
Time from the beginning of the constant speed operation to stop
- T4: Settling time [s]  
Time until positioning is completed

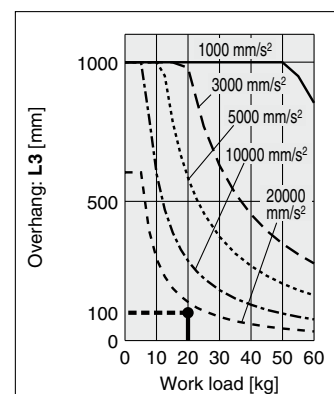
**Step 3 Check the allowable moment. <Static allowable moment> (page 38)**

**<Dynamic allowable moment> (page 66)**

Confirm the moment that applies to the actuator is within the allowable range for both static and dynamic conditions.



Based on the above calculation result, the LEFB40□S-2000 should be selected.



Model Selection

LEKFS

LEFS

LEFB

LEJS

LET-X11

LEY

LEYG

LESYH

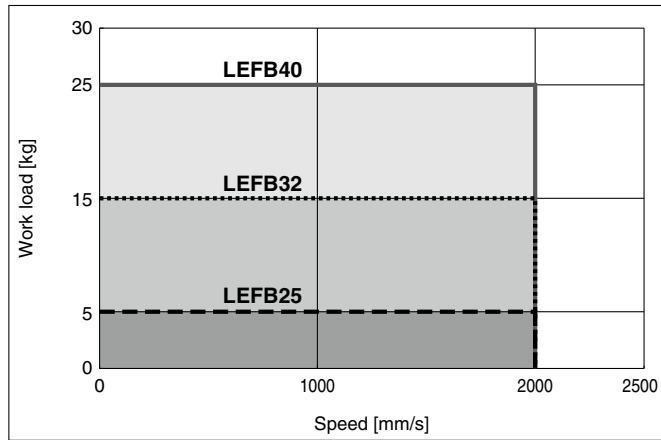
Motor Mounting

# LEFB Series

Motorless Type

## Speed-Work Load Graph (Guide)

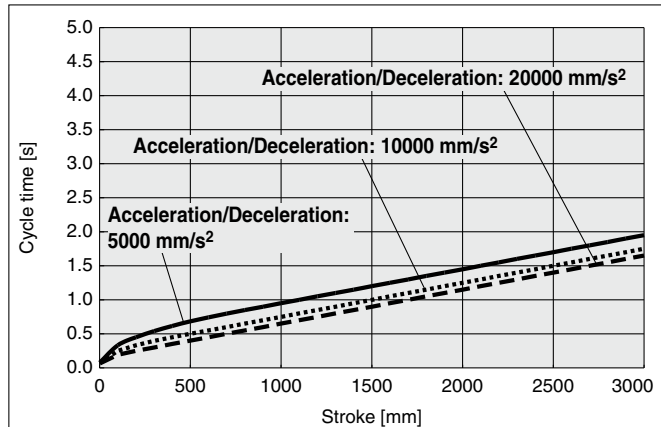
LEFB□/Belt Drive



## Cycle Time Graph (Guide)

LEFB□/Belt Drive

LEFB25/32/40



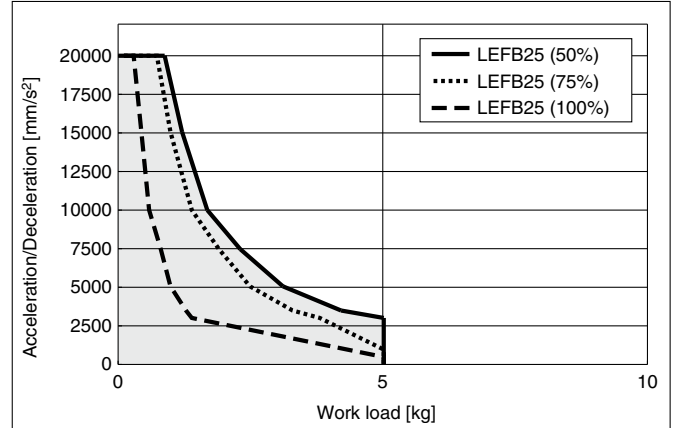
- \* Cycle time is for when maximum speed.
- \* Maximum stroke: LEFB25: 2000 mm  
LEFB32: 2500 mm  
LEFB40: 3000 mm

\* The values shown below are allowable values of the actuator body.  
Do not use the actuator so that it exceeds these specification ranges.

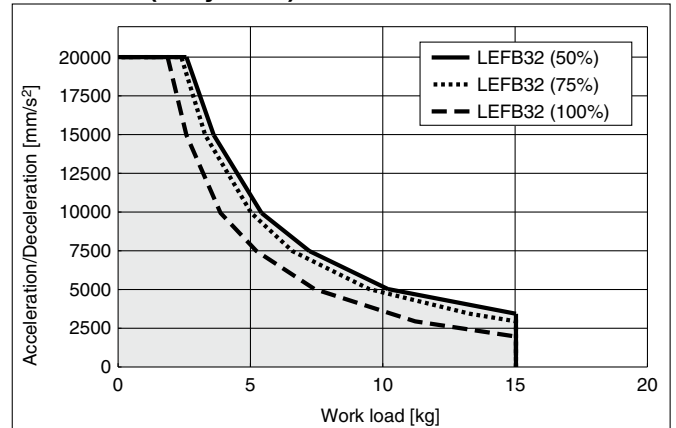
## Work Load-Acceleration/Deceleration Graph (Guide)

LEFB□/Belt Drive

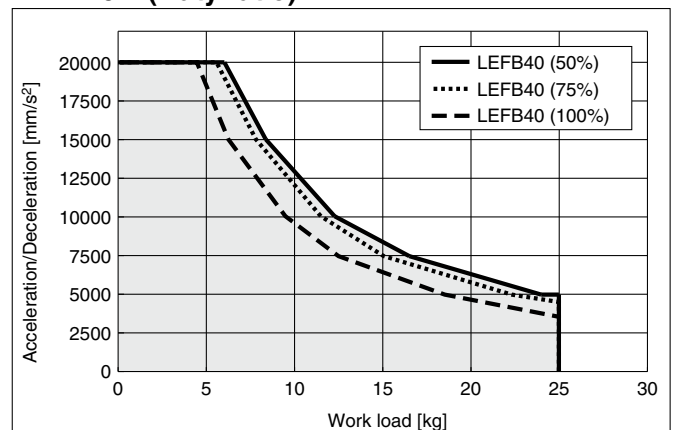
LEFB25□ (Duty ratio)



LEFB32□ (Duty ratio)



LEFB40□ (Duty ratio)



These graphs are examples of when the standard motor is mounted.  
Determine the duty ratio after taking into account the load factor of the motor or driver to be used.

\* These graphs show the amount of allowable overhang (guide unit) when the center of gravity of the work-piece overhangs in one direction. When selecting the overhang, refer to the "Calculation of Guide Load Factor" or the Electric Actuator Model Selection Software for confirmation: <https://www.smcworld.com>

## Dynamic Allowable Moment

Acceleration/Deceleration ——— 1000 mm/s<sup>2</sup>    - - - 3000 mm/s<sup>2</sup>    ······ 5000 mm/s<sup>2</sup>    - - - - 10000 mm/s<sup>2</sup>    - - - - 20000 mm/s<sup>2</sup>

Orientation	Load overhanging direction m : Work load [kg] Me: Allowable moment [N·m] L : Overhang to the work load center of gravity [mm]	Model		
		LEFB25□	LEFB32□	LEFB40□
Horizontal/Bottom	X 			
	Y 			
	Z 			
Wall	X 			
	Y 			
	Z 			

- Model Selection
- LEKFS
- LEFS
- LEFB
- LEJS
- LET-X11
- LEY
- LEYG
- LESYH
- Motor Mounting

## Calculation of Guide Load Factor

1. Decide operating conditions.

Model: LEFB

Size: 25/32/40

Mounting orientation: Horizontal/Bottom/Wall

Acceleration [ $\text{mm/s}^2$ ]:  $a$

Work load [kg]:  $m$

Work load center position [mm]:  $X_c/Y_c/Z_c$

2. Select the target graph while referencing the model, size, and mounting orientation.

3. Based on the acceleration and work load, find the overhang [mm]:  $L_x/L_y/L_z$  from the graph.

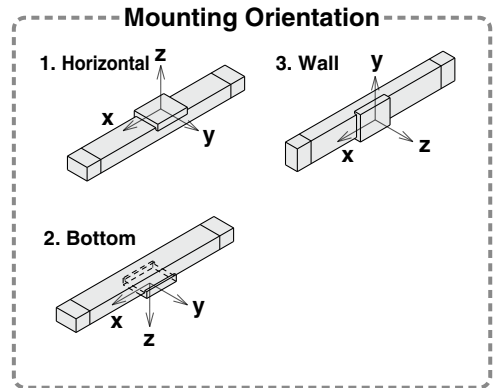
4. Calculate the load factor for each direction.

$$\alpha_x = X_c/L_x, \alpha_y = Y_c/L_y, \alpha_z = Z_c/L_z$$

5. Confirm the total of  $\alpha_x$ ,  $\alpha_y$ , and  $\alpha_z$  is 1 or less.

$$\alpha_x + \alpha_y + \alpha_z \leq 1$$

When 1 is exceeded, consider a reduction of acceleration and work load, or a change of the work load center position and series.



### Example

1. Operating conditions

Model: LEFB40

Size: 40

Mounting orientation: Horizontal

Acceleration [ $\text{mm/s}^2$ ]: 3000

Work load [kg]: 20

Work load center position [mm]:  $X_c = 0, Y_c = 50, Z_c = 200$

2. Select the graphs for horizontal of the LEFB40□ on page 66.

3.  $L_x = 250 \text{ mm}, L_y = 180 \text{ mm}, L_z = 1000 \text{ mm}$

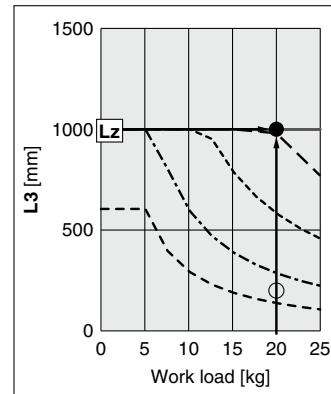
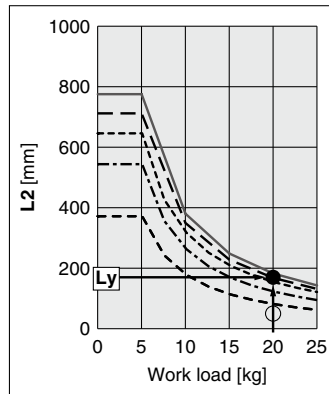
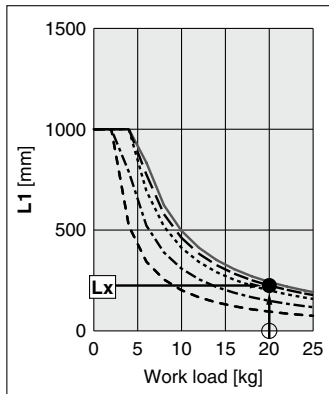
4. The load factor for each direction can be found as follows.

$$\alpha_x = 0/250 = 0$$

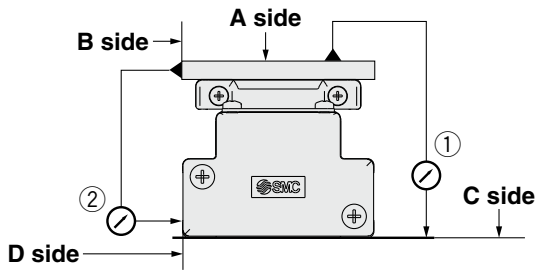
$$\alpha_y = 50/180 = 0.27$$

$$\alpha_z = 200/1000 = 0.2$$

5.  $\alpha_x + \alpha_y + \alpha_z = 0.47 \leq 1$



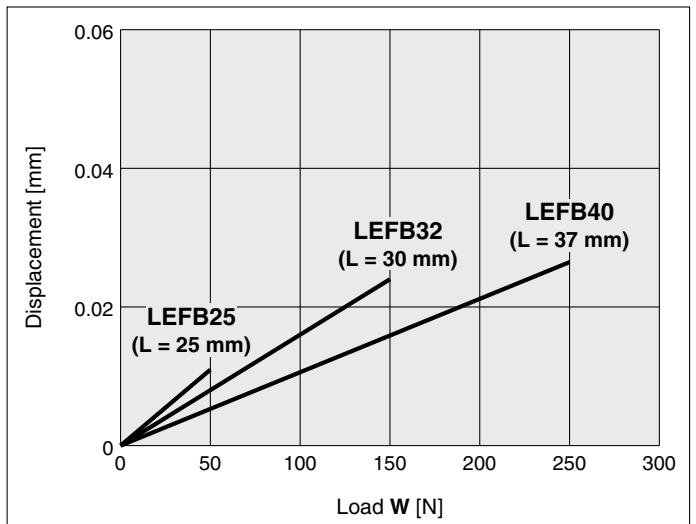
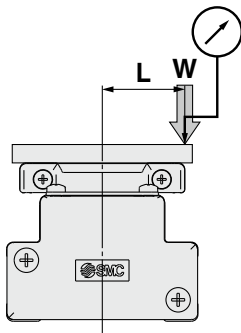
### Table Accuracy (Reference Value)



Model	Traveling parallelism [mm] (Every 300 mm)	
	① C side traveling parallelism to A side	② D side traveling parallelism to B side
<b>LEFB25</b>	0.05	0.03
<b>LEFB32</b>	0.05	0.03
<b>LEFB40</b>	0.05	0.03

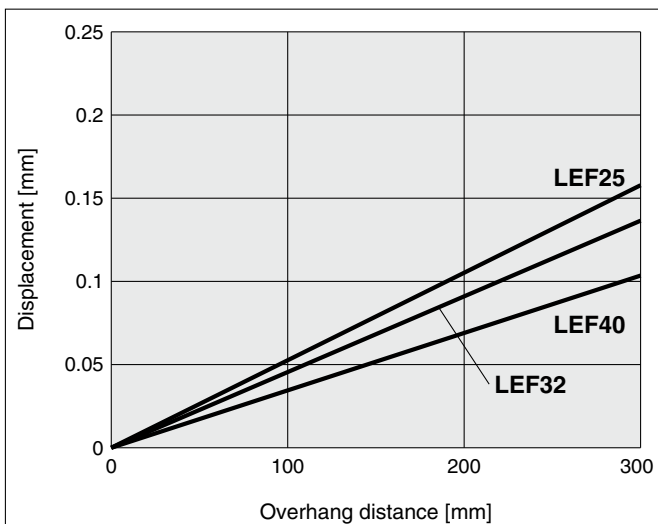
\* Traveling parallelism does not include the mounting surface accuracy.

### Table Displacement (Reference Value)



\* This displacement is measured when a 15 mm aluminum plate is mounted and fixed on the table.  
\* Check the clearance and play of the guide separately.

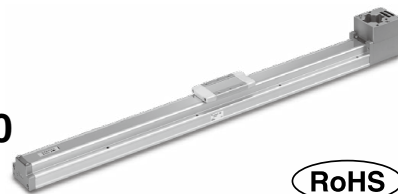
### Overhang Displacement Due to Table Clearance (Initial Reference Value)



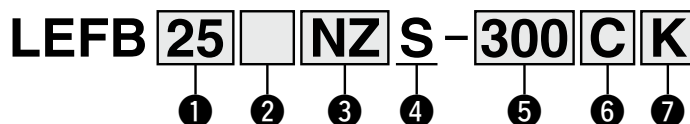


# Electric Actuator/Slider Type Belt Drive

## LEFB Series LEFB25, 32, 40



### How to Order



**1** Size

25
32
40

**2** Motor mounting position

Nil	Top mounting
U	Bottom mounting

**3** Mounting type

NZ	NW	NT
NY	NV	NM1
NX	NU	NM2

**4** Equivalent lead [mm]

S	54
---	----

**5** Stroke [mm]

300	300
to	to
3000	3000

**6** Auto switch compatibility

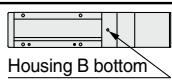
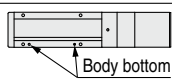
Nil	None
C	With (Includes 1 mounting bracket)

\* If 2 or more are required, please order them separately. (Part no.: LEF-D-2-1 For details, refer to page 86.)

\* Order auto switches separately. (For details, refer to pages 87 to 89.)

\* When "Nil" is selected, the product will not come with a built-in magnet for an auto switch, and so a mounting bracket cannot be secured. Be sure to select an appropriate model initially as the product cannot be changed to have auto switch compatibility after purchase.

**7** Positioning pin hole

Nil	Housing B bottom*1	
K	Body bottom 2 locations	

\*1 Refer to the body mounting example on page 91 for the mounting method.

**Applicable Stroke Table**

●: Standard/○: Produced upon receipt of order

	300	400	500	600	700	800	900	1000	1100	1200	1300	1400	1500	1600	1700	1800	1900	2000	2500	3000
LEFB25	●	●	●	●	●	●	●	●	○	●	○	○	●	○	○	○	○	●	—	—
LEFB32	●	●	●	●	●	●	●	●	○	●	○	○	●	○	○	○	○	●	●	—
LEFB40	●	●	●	●	●	●	●	●	○	●	○	○	●	○	○	○	○	●	●	●

\* Please contact SMC as all non-standard and non-made-to-order strokes are produced as special orders.

**Compatible Motors and Mounting Types\*1**

Applicable motor model		Size/Mounting type																		
Manufacturer	Series	25					32/40													
		NZ	NY	NX	NM1	NM2	NZ	NY	NX	NW	NV	NU	NT	NM1	NM2					
Mitsubishi Electric Corporation	MELSERVO JN/J4/J5	●	—	—	—	—	●	—	—	—	—	—	—	—	—	—	—	—	—	—
YASKAWA Electric Corporation	Σ-V/7/X	●	—	—	—	—	●	—	—	—	—	—	—	—	—	—	—	—	—	—
SANYO DENKI CO., LTD.	SANMOTION R	●	—	—	—	—	●	—	—	—	—	—	—	—	—	—	—	—	—	—
OMRON Corporation	OMNUC G5/1S	●	—	—	—	—	—	●	—	—	—	—	—	—	—	—	—	—	—	—
Panasonic Corporation	MINAS A5/A6	● (MHMF only)	●	—	—	—	—	—	●	—	—	—	—	—	—	—	—	—	—	—
FANUC CORPORATION	βis (-B)	●	—	—	—	—	—	● (β1 only)	—	—	●	—	—	—	—	—	—	—	—	—
NIDEC SANKYO CORPORATION	S-FLAG	●	—	—	—	—	—	●	—	—	—	—	—	—	—	—	—	—	—	—
KEYENCE CORPORATION	SV/SV2	●	—	—	—	—	—	●	—	—	—	—	—	—	—	—	—	—	—	—
FUJI ELECTRIC CO., LTD.	ALPHA7	●	—	—	—	—	—	●	—	—	—	—	—	—	—	—	—	—	—	—
MinebeaMitsumi Inc.	Hybrid stepping motors	—	—	—	—	●	—	—	—	—	—	—	—	—	—	—	—	—	●	—
Shinano Kenshi Co., Ltd.	CSB-BZ	—	—	—	—	●	—	—	—	—	—	—	—	—	—	—	—	—	—	—
ORIENTAL MOTOR Co., Ltd.	α STEP AR/AZ	—	—	—	—	—	—	● (46 only)	—	—	—	—	—	—	—	—	—	—	—	●
FASTECH Co., Ltd.	Ezi-SERVO	—	—	—	—	●	—	—	—	—	—	—	—	—	—	—	—	—	●	—
Rockwell Automation, Inc. (Allen-Bradley)	Kinetix MP/VP/TL	● (TL only)	—	—	—	—	—	—	—	—	● (MP/VP only)	—	—	—	—	—	—	● (TL only)	—	—
Beckhoff Automation GmbH	AM 30/31/80/81	●	—	—	—	—	—	—	—	—	● (80/81 only)	—	● (30 only)	● (31 only)	—	—	—	—	—	—
Siemens AG	SIMOTICS S-1FK7	—	—	●	—	—	—	—	—	—	—	—	●	—	—	—	—	—	—	—
Delta Electronics, Inc.	ASDA-A2	●	—	—	—	—	—	—	—	●	—	—	—	—	—	—	—	—	—	—
ANCA Motion	AMD2000	●	—	—	—	—	—	—	—	●	—	—	—	—	—	—	—	—	—	—

\*1 The compatible motors and mounting types are typical examples. Select the mounting type after referring to the "Motor Mounting, Applicable Motor Dimensions" tables on the following "Dimensions" pages.

**Specifications**<sup>\*2</sup>

- Values in this specifications table are the allowable values of the actuator body with the standard motor mounted.
- Do not use the actuator so that it exceeds these values.

Model		LEFB25	LEFB32	LEFB40	
Actuator specifications	Stroke [mm] <sup>*1</sup>	300, 400, 500 600, 700, 800 900, 1000, (1100) 1200, (1300, 1400) 1500, (1600, 1700) (1800, 1900), 2000	300, 400, 500 600, 700, 800 900, 1000, (1100) 1200, (1300, 1400) 1500, (1600, 1700) (1800, 1900), 2000 2500	300, 400, 500 600, 700, 800 900, 1000, (1100) 1200, (1300, 1400) 1500, (1600, 1700) (1800, 1900), 2000 2500, 3000	
	Work load [kg]	Horizontal		5	
	Speed [mm/s]	2000			
	Pushing return to origin speed [mm/s]	30 or less			
	Positioning repeatability [mm]	±0.06			
	Lost motion [mm] <sup>*3</sup>	0.1 or less			
	Equivalent lead [mm]	54			
	Max. acceleration/deceleration [mm/s <sup>2</sup> ]	20000 <sup>*4</sup>			
	Impact/Vibration resistance [m/s <sup>2</sup> ]	50/20			
	Actuation type	Belt			
	Guide type	Linear guide			
	Static allowable moment <sup>*5</sup> [N-m]	Mep (Pitching)	27	46	110
		Mey (Yawing)	27	46	110
		Mer (Rolling)	52	101	207
	Operating temperature range [°C]	5 to 40			
Operating humidity range [%RH]	90 or less (No condensation)				
Enclosure	IP30				
Other specifications <sup>*6</sup>	Actuation unit weight [kg]	0.2	0.3	0.55	
	Other inertia [kg-cm <sup>2</sup> ]	0.1	0.2	0.25	
	Friction coefficient	0.05			
	Mechanical efficiency	0.8			
Reference motor specifications <sup>*7</sup>	Motor type	AC servo motor (100 V/200 V)			
	Rated output capacity [W]	100	200	400	
	Rated torque [N-m]	0.32	0.64	1.3	

- \*1 Please contact SMC as all non-standard and non-made-to-order strokes are produced as special orders.
- \*2 Do not allow collisions at either end of the table traveling distance at a speed exceeding "pushing return to origin speed." Additionally, when running the positioning operation, do not set within 3 mm of both ends.
- \*3 A reference value for correcting errors in reciprocal operation
- \*4 Maximum acceleration/deceleration changes according to the work load. Refer to the "Work Load-Acceleration/Deceleration Graph (Guide)" for belt drive on page 65.
- \*5 The static allowable moment is the amount of static moment which can be applied to the actuator when it is stopped. If the product is exposed to impact or repeated load, be sure to take adequate safety measures when using the product.
- \*6 Each value is only to be used as a guide to select a motor of the appropriate capacity.
- \*7 For other specifications, refer to the specifications of the motor that is to be installed.

**Weight**

Model	LEFB25																	
Stroke [mm]	300	400	500	600	700	800	900	1000	1100	1200	1300	1400	1500	1600	1700	1800	1900	2000
Product weight [kg]	2.5	2.75	3	3.25	3.5	3.75	4	4.25	4.5	4.75	5	5.25	5.5	5.75	6	6.25	6.5	6.75

Model	LEFB32																		
Stroke [mm]	300	400	500	600	700	800	900	1000	1100	1200	1300	1400	1500	1600	1700	1800	1900	2000	2500
Product weight [kg]	4.00	4.35	4.70	5.05	5.40	5.75	6.10	6.45	6.80	7.15	7.50	7.85	8.20	8.55	8.90	9.25	9.60	9.95	11.70

Model	LEFB40																			
Stroke [mm]	300	400	500	600	700	800	900	1000	1100	1200	1300	1400	1500	1600	1700	1800	1900	2000	2500	3000
Product weight [kg]	5.72	6.17	6.62	7.07	7.52	7.97	8.42	8.87	9.32	9.77	10.22	10.67	11.12	11.57	12.02	12.47	12.92	13.32	15.62	17.87

Model Selection  
LEKFS  
LEFS  
LEFB  
LEJS  
LET-X11  
LEY  
LEYG  
LESYH  
Motor Mounting

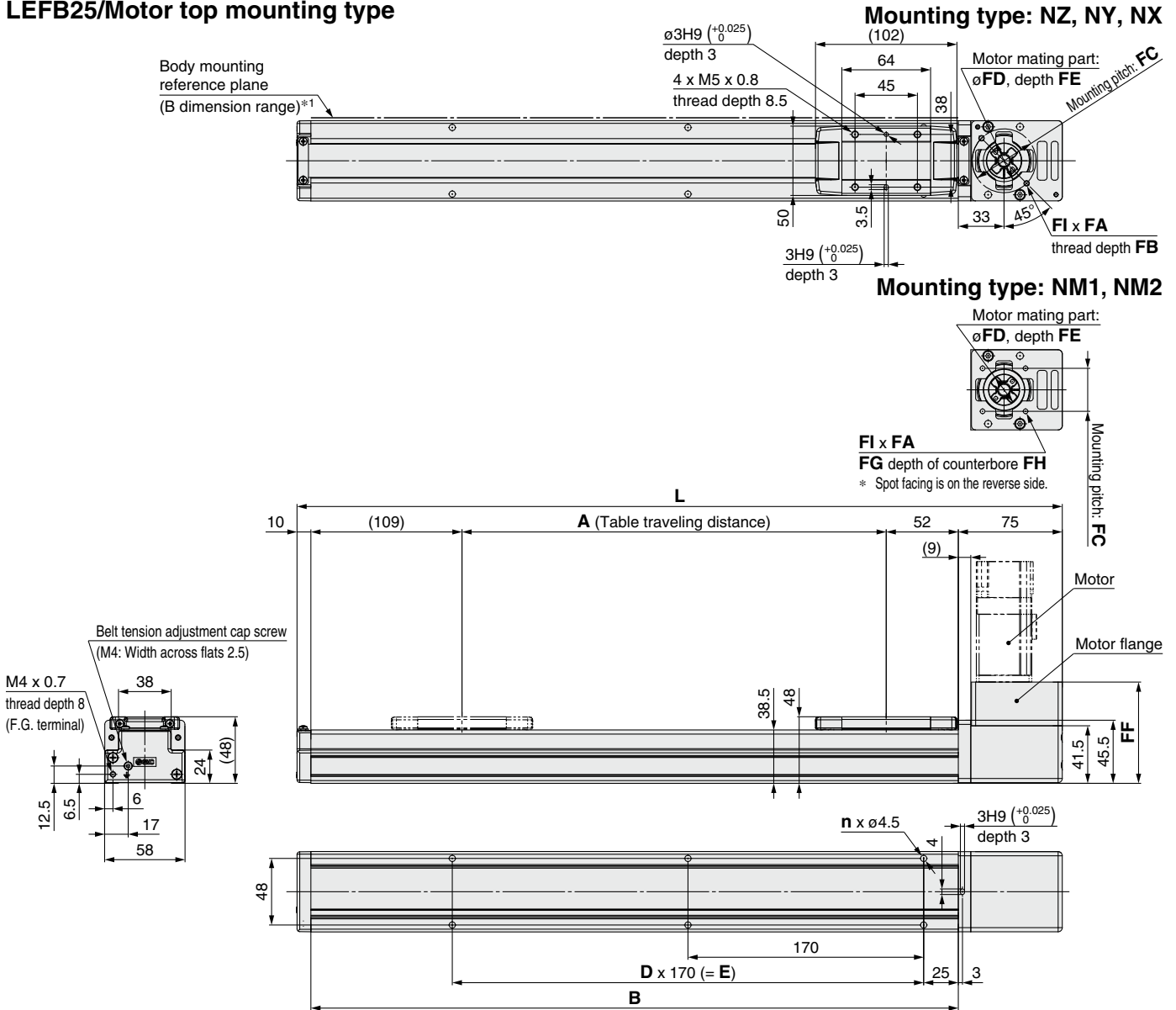
# LEFB Series

Motorless Type

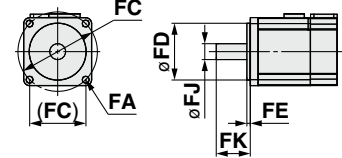
Refer to the "Motor Mounting" on page 83 for details about motor mounting and included parts.

## Dimensions: Belt Drive

### LEFB25/Motor top mounting type



#### Applicable motor dimensions



#### Dimensions [mm]

Stroke	L	A	B	n	D	E
300	552	306	467	6	2	340
400	652	406	567	8	3	510
500	752	506	667	8	3	510
600	852	606	767	10	4	680
700	952	706	867	10	4	680
800	1052	806	967	12	5	850
900	1152	906	1067	14	6	1020
1000	1252	1006	1167	14	6	1020
1100	1352	1106	1267	16	7	1190
1200	1452	1206	1367	16	7	1190
1300	1552	1306	1467	18	8	1360
1400	1652	1406	1567	20	9	1530
1500	1752	1506	1667	20	9	1530
1600	1852	1606	1767	22	10	1700
1700	1952	1706	1867	22	10	1700
1800	2052	1806	1967	24	11	1870
1900	2152	1906	2067	24	11	1870
2000	2252	2006	2167	26	12	2040

\*1 When mounting the actuator using the body mounting reference plane, set the height of the opposite surface or pin to be 3 mm or more. (Recommended height: 5 mm)

#### Motor Mounting, Applicable Motor Dimensions [mm]

Mounting type	FA		FB	FC	FD	FE (Max.)	FF	FG	FH	FI	FJ	FK
	Mounting type	Applicable motor										
NZ	M4 x 0.7	$\phi 4.5$	8	$\phi 46$	30	3.5	73	—	—	2	8	25 ±1
NY	M3 x 0.5	$\phi 3.4$	8	$\phi 45$	30	3.5	73	—	—	4	8	25 ±1
NX	M4 x 0.7	$\phi 4.5$	8	$\phi 46$	30	3.5	73	—	—	2	8	18 ±1
NM1	$\phi 3.4$	M3	—	□31	22*1	2.5*1	73	6	21	4	5*2	18 to 25
NM2	$\phi 3.4$	M3	—	□31	22*1	2.5*1	73	6	21	4	6	20 ±1

\*1 Dimensions after mounting a ring spacer (Refer to page 83.)

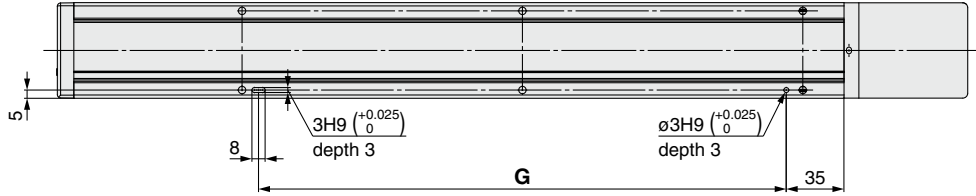
\*2 Shaft type: D-cut shaft

Refer to the "Motor Mounting" on page 83 for details about motor mounting and included parts.

**Dimensions: Belt Drive**

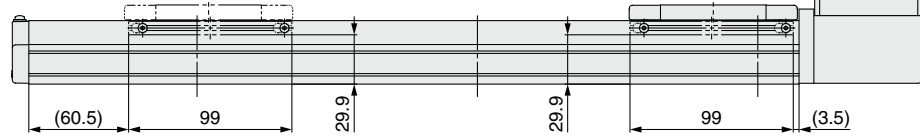
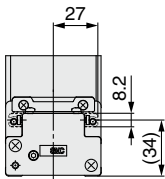
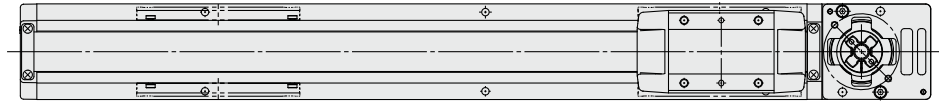
**LEFB25/Motor top mounting type**

**Positioning pin hole\*1 (Option): Body bottom**



\*1 When using the body bottom positioning pin holes, do not simultaneously use the housing B bottom pin hole.

**With auto switch (Option)**



**Dimensions [mm]**

Stroke	G
300	320
400	490
500	490
600	660
700	660
800	830
900	1000
1000	1000
1100	1170
1200	1170
1300	1340
1400	1510
1500	1510
1600	1680
1700	1680
1800	1850
1900	1850
2000	2020

Model Selection

LEKFS

LEFS

LEFB

LEJS

LET-X11

LEY

LEYG

LESYH

Motor Mounting

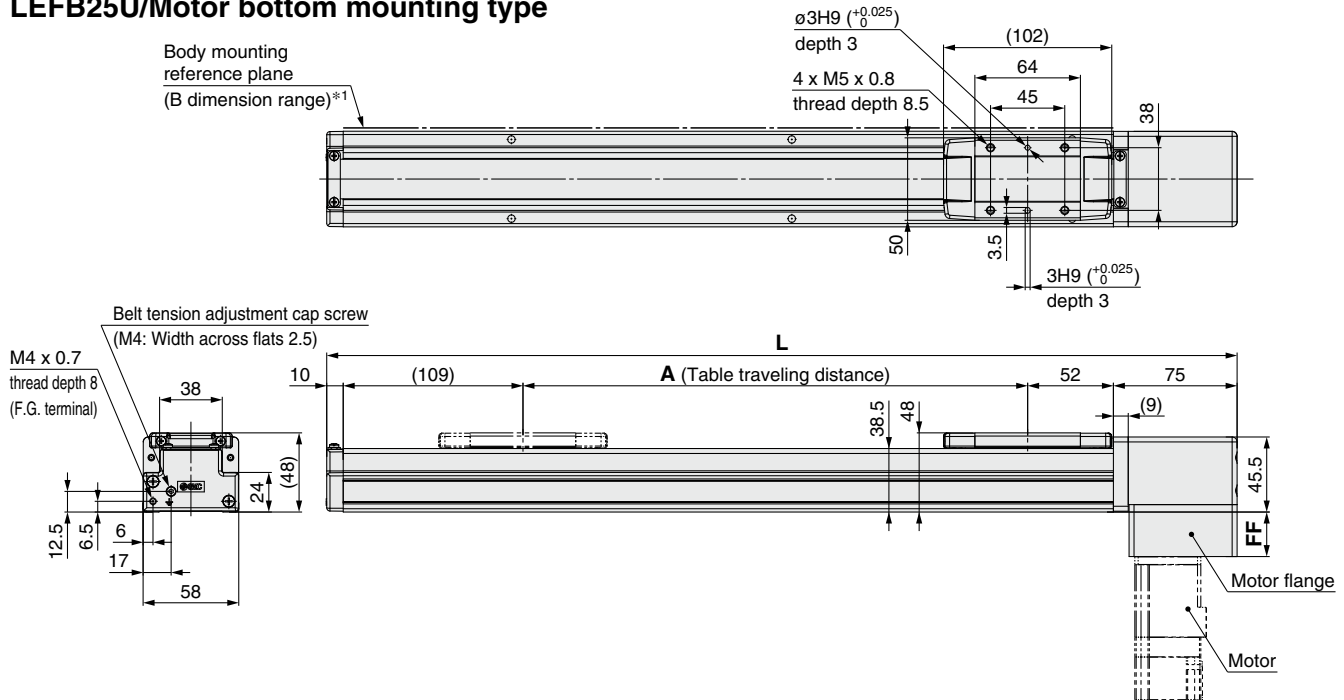
# LEFB Series

Motorless Type

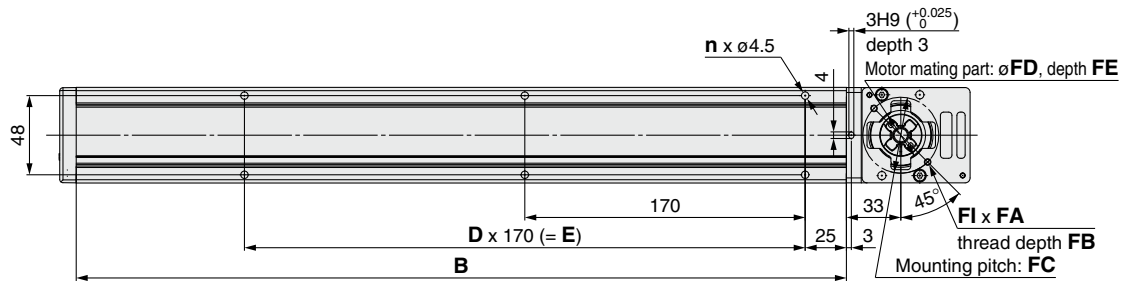
Refer to the "Motor Mounting" on page 83 for details about motor mounting and included parts.

## Dimensions: Belt Drive

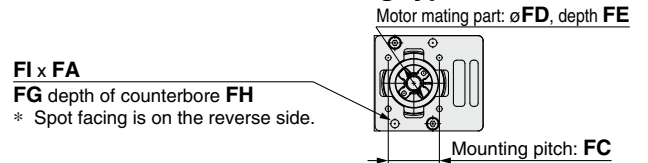
### LEFB25U/Motor bottom mounting type



### Mounting type: NZ, NY, NX

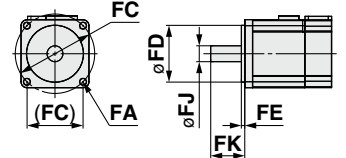


### Mounting type: NM1, NM2



\*1 When mounting the actuator using the body mounting reference plane, set the height of the opposite surface or pin to be 3 mm or more. (Recommended height: 5 mm)

### Applicable motor dimensions



### Dimensions [mm]

Stroke	L	A	B	n	D	E
300	552	306	467	6	2	340
400	652	406	567	8	3	510
500	752	506	667	8	3	510
600	852	606	767	10	4	680
700	952	706	867	10	4	680
800	1052	806	967	12	5	850
900	1152	906	1067	14	6	1020
1000	1252	1006	1167	14	6	1020
1100	1352	1106	1267	16	7	1190
1200	1452	1206	1367	16	7	1190
1300	1552	1306	1467	18	8	1360
1400	1652	1406	1567	20	9	1530
1500	1752	1506	1667	20	9	1530
1600	1852	1606	1767	22	10	1700
1700	1952	1706	1867	22	10	1700
1800	2052	1806	1967	24	11	1870
1900	2152	1906	2067	24	11	1870
2000	2252	2006	2167	26	12	2040

### Motor Mounting, Applicable Motor Dimensions [mm]

Mounting type	FA		FB	FC	FD	FE (Max.)	FF	FG	FH	FI	FJ	FK
	Mounting type	Applicable motor										
NZ	M4 x 0.7	ø4.5	8	ø46	30	3.5	27	—	—	2	8	25 ±1
NY	M3 x 0.5	ø3.4	8	ø45	30	3.5	27	—	—	4	8	25 ±1
NX	M4 x 0.7	ø4.5	8	ø46	30	3.5	27	—	—	2	8	18 ±1
NM1	ø3.4	M3	—	□31	22*1	2.5*1	27	6	21	4	5*2	18 to 25
NM2	ø3.4	M3	—	□31	22*1	2.5*1	27	6	21	4	6	20 ±1

\*1 Dimensions after mounting a ring spacer (Refer to page 83.)

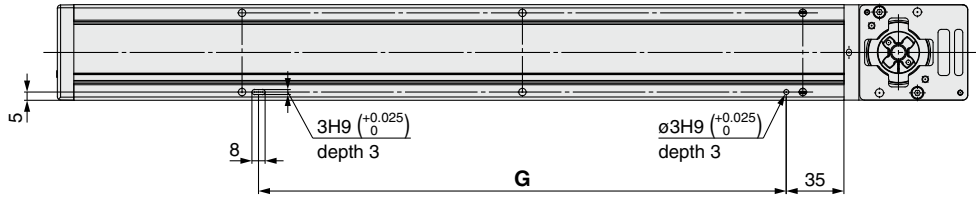
\*2 Shaft type: D-cut shaft

Refer to the "Motor Mounting" on page 83 for details about motor mounting and included parts.

**Dimensions: Belt Drive**

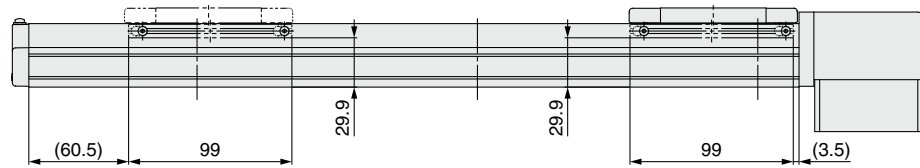
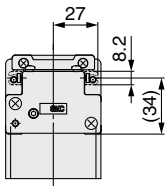
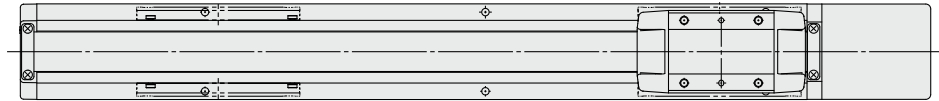
**LEFB25U/Motor bottom mounting type**

**Positioning pin hole\*1 (Option): Body bottom**



\*1 When using the body bottom positioning pin holes, do not simultaneously use the housing B bottom pin hole.

**With auto switch (Option)**



**Dimensions [mm]**

Stroke	G
300	320
400	490
500	490
600	660
700	660
800	830
900	1000
1000	1000
1100	1170
1200	1170
1300	1340
1400	1510
1500	1510
1600	1680
1700	1680
1800	1850
1900	1850
2000	2020

Model Selection

LEKFS

LEFS

LEFB

LEJS

LET-X11

LEY

LEYG

LESYH

Motor Mounting

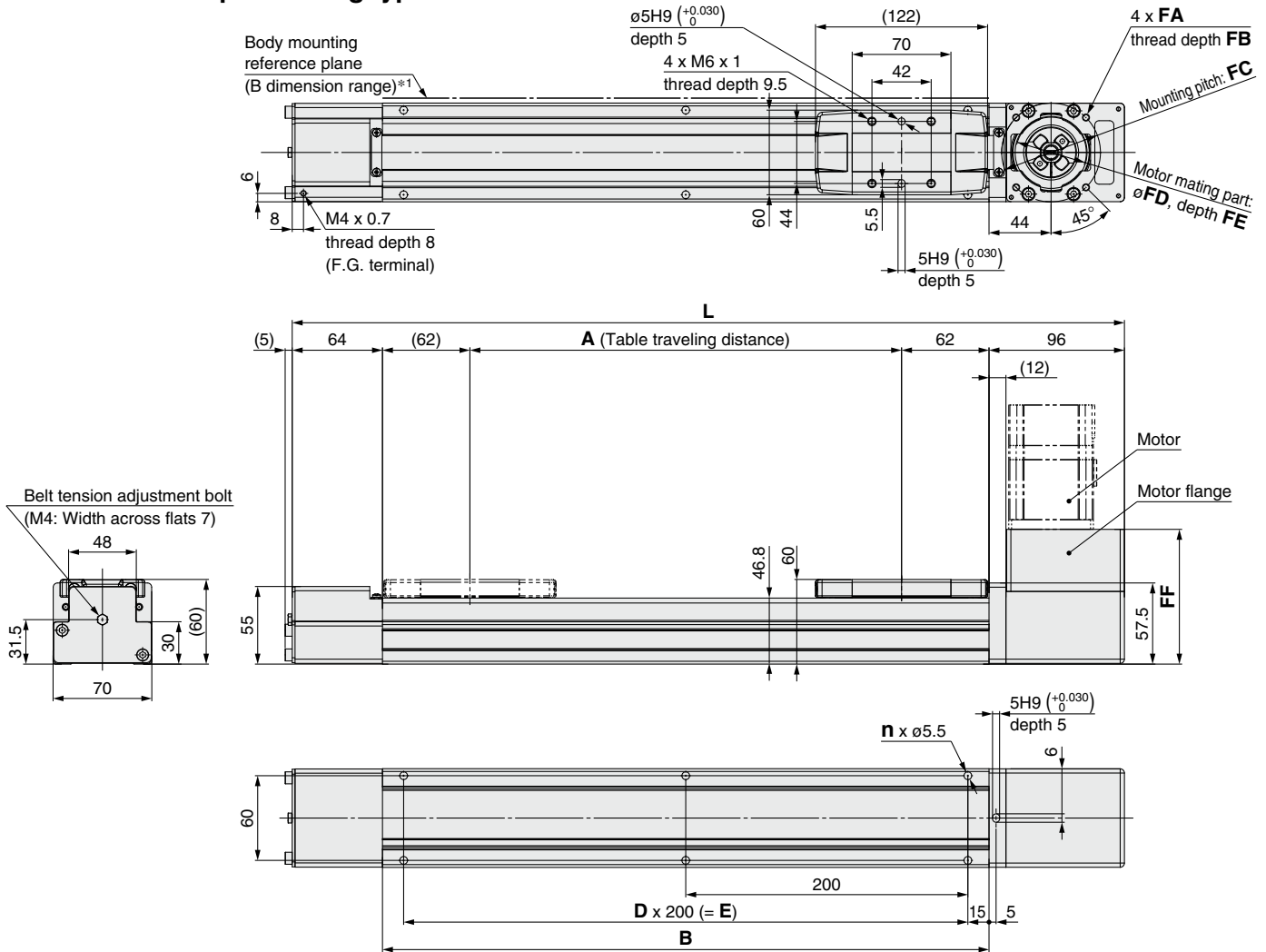
# LEFB Series

Motorless Type

Refer to the "Motor Mounting" on page 83 for details about motor mounting and included parts.

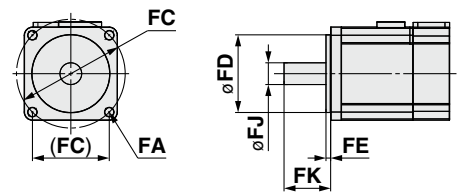
## Dimensions: Belt Drive

### LEFB32/Motor top mounting type



\*1 When mounting the actuator using the body mounting reference plane, set the height of the opposite surface or pin to be 3 mm or more. (Recommended height: 5 mm)

### Applicable motor dimensions



### Dimensions

Stroke	L	A	B	n	D	E
300	590	306	430	6	2	400
400	690	406	530	6	2	400
500	790	506	630	8	3	600
600	890	606	730	8	3	600
700	990	706	830	10	4	800
800	1090	806	930	10	4	800
900	1190	906	1030	12	5	1000
1000	1290	1006	1130	12	5	1000
1100	1390	1106	1230	14	6	1200
1200	1490	1206	1330	14	6	1200
1300	1590	1306	1430	16	7	1400
1400	1690	1406	1530	16	7	1400
1500	1790	1506	1630	18	8	1600
1600	1890	1606	1730	18	8	1600
1700	1990	1706	1830	20	9	1800
1800	2090	1806	1930	20	9	1800
1900	2190	1906	2030	22	10	2000
2000	2290	2006	2130	22	10	2000
2500	2790	2506	2630	28	13	2600

### Motor Mounting, Applicable Motor Dimensions [mm]

Mounting type	FA		FB	FC	FD	FE (Max.)	FF	FJ	FK
	Mounting type	Applicable motor							
NZ	M5 x 0.8	ø5.8	9	ø70	50	4	95.5	14	30 ±1
NY	M4 x 0.7	ø4.5	8	ø70	50	4	95.5	11	30 ±1
NX	M5 x 0.8	ø5.8	9	ø63	40*1	4.5*1	99.2	9	20 ±1
NW	M5 x 0.8	ø5.8	9	ø70	50	5	96.5	9	25 ±1
NV	M4 x 0.7	ø4.5	8	ø63	40*1	4.5*1	99.2	9	20 ±1
NU	M5 x 0.8	ø5.8	9	ø70	50	5	96.5	11	23 ±1
NT	M5 x 0.8	ø5.8	9	ø70	50	4	95.5	12	30 ±1
NM1	M4 x 0.7	ø4.5	8	□47.14	38.1*1	4.5*1	82.5	6.35*2	20 ±1
NM2	M4 x 0.7	ø4.5	8	□50	36*1	4.5*1	90.0	10	24 ±1

\*1 Dimensions after mounting a ring spacer (Refer to page 83.)

\*2 Shaft type: D-cut shaft

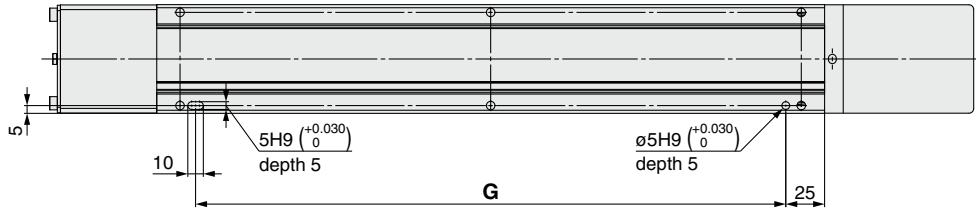


Refer to the "Motor Mounting" on page 83 for details about motor mounting and included parts.

**Dimensions: Belt Drive**

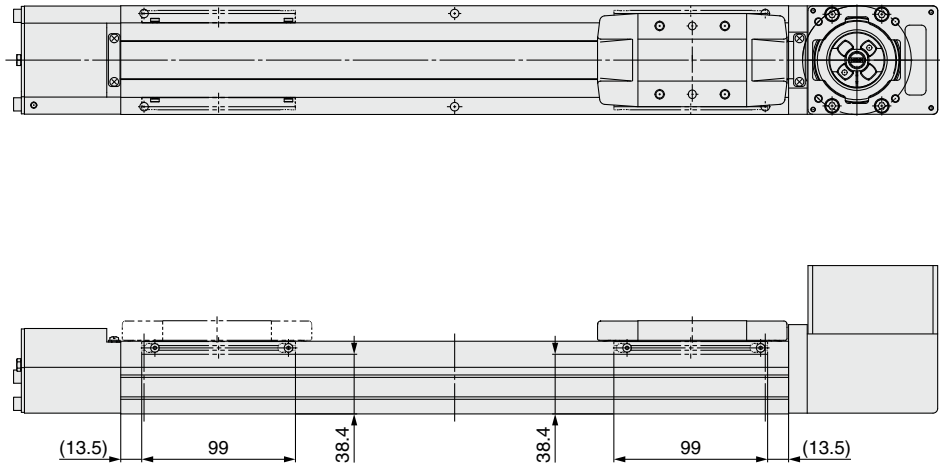
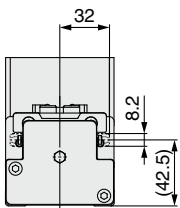
**LEFB32/Motor top mounting type**

**Positioning pin hole\*1 (Option): Body bottom**



\*1 When using the body bottom positioning pin holes, do not simultaneously use the housing B bottom pin hole.

**With auto switch (Option)**



**Dimensions [mm]**

Stroke	G
300	380
400	380
500	580
600	580
700	780
800	780
900	980
1000	980
1100	1180
1200	1180
1300	1380
1400	1380
1500	1580
1600	1580
1700	1780
1800	1780
1900	1980
2000	1980
2500	2580

Model Selection

LEKFS

LEFS

LEFB

LEJS

LET-X11

LEY

LEYG

LESYH

Motor Mounting

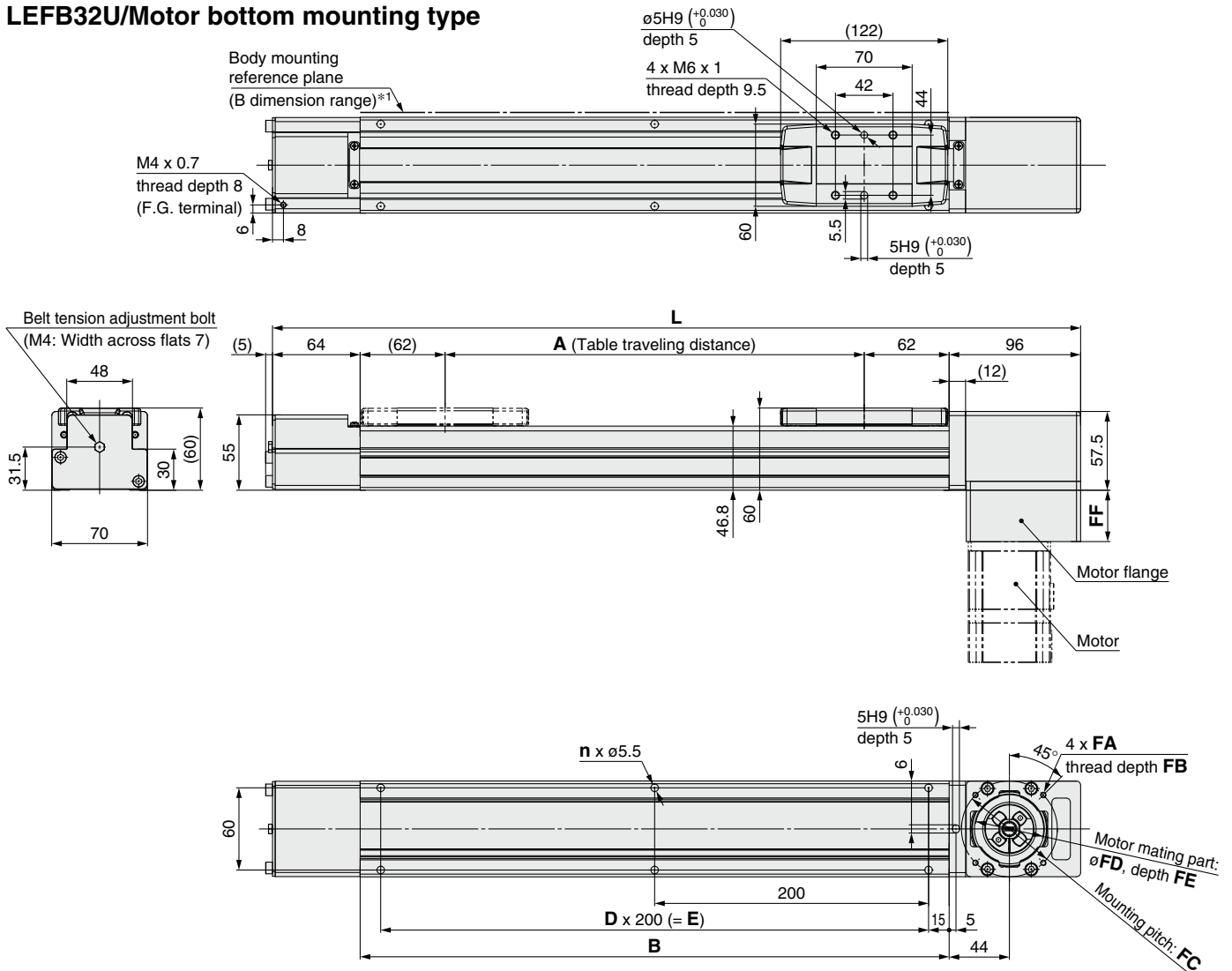
# LEFB Series

Motorless Type

Refer to the "Motor Mounting" on page 83 for details about motor mounting and included parts.

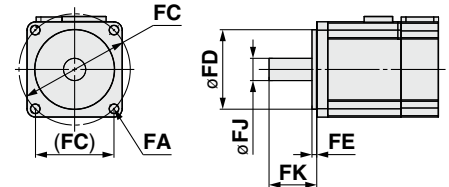
## Dimensions: Belt Drive

### LEFB32U/Motor bottom mounting type



\*1 When mounting the actuator using the body mounting reference plane, set the height of the opposite surface or pin to be 3 mm or more. (Recommended height: 5 mm)

### Applicable motor dimensions



### Dimensions

Stroke	L	A	B	n	D	E
300	590	306	430	6	2	400
400	690	406	530	6	2	400
500	790	506	630	8	3	600
600	890	606	730	8	3	600
700	990	706	830	10	4	800
800	1090	806	930	10	4	800
900	1190	906	1030	12	5	1000
1000	1290	1006	1130	12	5	1000
1100	1390	1106	1230	14	6	1200
1200	1490	1206	1330	14	6	1200
1300	1590	1306	1430	16	7	1400
1400	1690	1406	1530	16	7	1400
1500	1790	1506	1630	18	8	1600
1600	1890	1606	1730	18	8	1600
1700	1990	1706	1830	20	9	1800
1800	2090	1806	1930	20	9	1800
1900	2190	1906	2030	22	10	2000
2000	2290	2006	2130	22	10	2000
2500	2790	2506	2630	28	13	2600

### Motor Mounting, Applicable Motor Dimensions [mm]

Mounting type	FA		FB	FC	FD	FE (Max.)	FF	FJ	FK
	Mounting type	Applicable motor							
NZ	M5 x 0.8	ø5.8	9	ø70	50	4	37.5	14	30 ±1
NY	M4 x 0.7	ø4.5	8	ø70	50	4	37.5	11	30 ±1
NX	M5 x 0.8	ø5.8	9	ø63	40*1	4.5*1	41.2	9	20 ±1
NW	M5 x 0.8	ø5.8	9	ø70	50	5	38.5	9	25 ±1
NV	M4 x 0.7	ø4.5	8	ø63	40*1	4.5*1	41.2	9	20 ±1
NU	M5 x 0.8	ø5.8	9	ø70	50	5	38.5	11	23 ±1
NT	M5 x 0.8	ø5.8	9	ø70	50	4	37.5	12	30 ±1
NM1	M4 x 0.7	ø4.5	8	□47.14	38.1*1	4.5*1	24.5	6.35*2	20 ±1
NM2	M4 x 0.7	ø4.5	8	□50	36*1	4.5*1	32.0	10	24 ±1

\*1 Dimensions after mounting a ring spacer (Refer to page 83.)

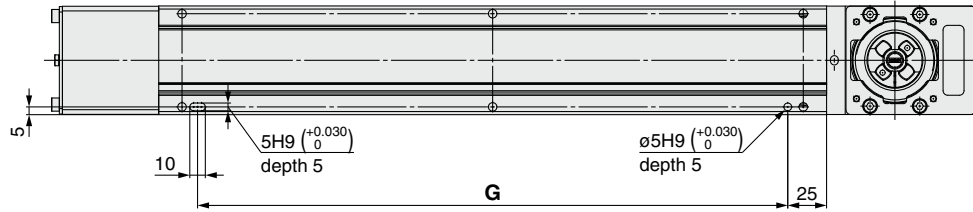
\*2 Shaft type: D-cut shaft

Refer to the "Motor Mounting" on page 83 for details about motor mounting and included parts.

**Dimensions: Belt Drive**

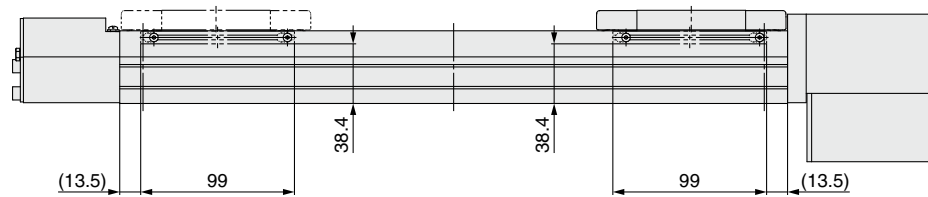
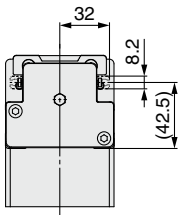
**LEFB32U/Motor bottom mounting type**

**Positioning pin hole\*1 (Option): Body bottom**



\*1 When using the body bottom positioning pin holes, do not simultaneously use the housing B bottom pin hole.

**With auto switch (Option)**



**Dimensions [mm]**

Stroke	G
300	380
400	380
500	580
600	580
700	780
800	780
900	980
1000	980
1100	1180
1200	1180
1300	1380
1400	1380
1500	1580
1600	1580
1700	1780
1800	1780
1900	1980
2000	1980
2500	2580

Model Selection

LEKFS

LEFS

LEFB

LEJS

LET-X11

LEY

LEYG

LESYH

Motor Mounting

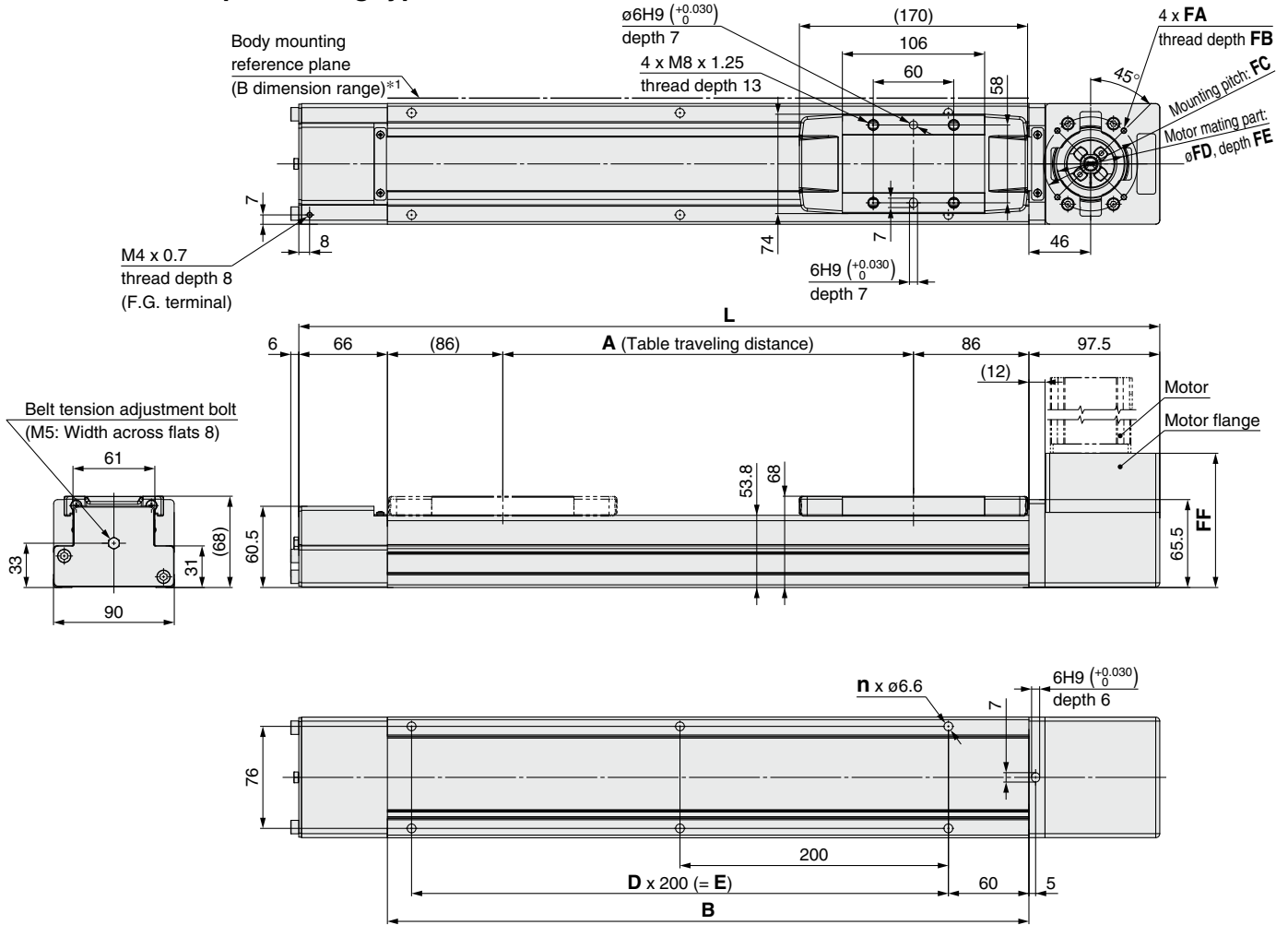
# LEFB Series

Motorless Type

Refer to the "Motor Mounting" on page 83 for details about motor mounting and included parts.

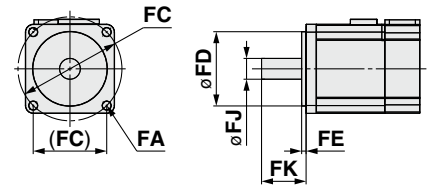
## Dimensions: Belt Drive

### LEFB40/Motor top mounting type



\*1 When mounting the actuator using the body mounting reference plane, set the height of the opposite surface or pin to be 3 mm or more. (Recommended height: 5 mm)

#### Applicable motor dimensions



#### Dimensions

Stroke	L	A	B	n	D	E
300	641.5	306	478	6	2	400
400	741.5	406	578	6	2	400
500	841.5	506	678	8	3	600
600	941.5	606	778	8	3	600
700	1041.5	706	878	10	4	800
800	1141.5	806	978	10	4	800
900	1241.5	906	1078	12	5	1000
1000	1341.5	1006	1178	12	5	1000
1100	1441.5	1106	1278	14	6	1200
1200	1541.5	1206	1378	14	6	1200
1300	1641.5	1306	1478	16	7	1400
1400	1741.5	1406	1578	16	7	1400
1500	1841.5	1506	1678	18	8	1600
1600	1941.5	1606	1778	18	8	1600
1700	2041.5	1706	1878	20	9	1800
1800	2141.5	1806	1978	20	9	1800
1900	2241.5	1906	2078	22	10	2000
2000	2341.5	2006	2178	22	10	2000
2500	2841.5	2506	2678	28	13	2600
3000	3341.5	3006	3178	32	15	3000

#### Motor Mounting, Applicable Motor Dimensions [mm]

Mounting type	FA		FB	FC	FD	FE (Max.)	FF	FJ	FK
	Mounting type	Applicable motor							
NZ	M5 x 0.8	ø5.8	9	ø70	50	4	100	14	30 ±1
NY	M4 x 0.7	ø4.5	8	ø70	50	4	100	14	30 ±1
NX	M5 x 0.8	ø5.8	9	ø63	40*1	4.5*1	103.2	9	20 ±1
NW	M5 x 0.8	ø5.8	9	ø70	50	5	101	9	25 ±1
NV	M4 x 0.7	ø4.5	8	ø63	40*1	4.5*1	103.2	9	20 ±1
NU	M5 x 0.8	ø5.8	9	ø70	50	5	101	11	23 ±1
NT	M5 x 0.8	ø5.8	9	ø70	50	4	100	12	30 ±1
NM1	M4 x 0.7	ø4.5	8	□47.14	38.1*1	4.5*1	87	6.35*2	20 ±1
NM2	M4 x 0.7	ø4.5	8	□50	36*1	4.5*1	94.0	10	24 ±1

\*1 Dimensions after mounting a ring spacer (Refer to page 83.)

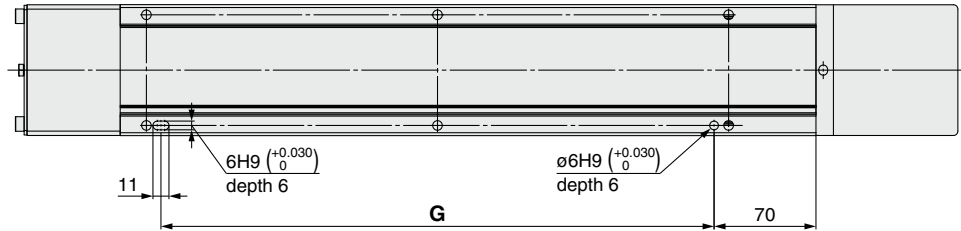
\*2 Shaft type: D-cut shaft

Refer to the "Motor Mounting" on page 83 for details about motor mounting and included parts.

**Dimensions: Belt Drive**

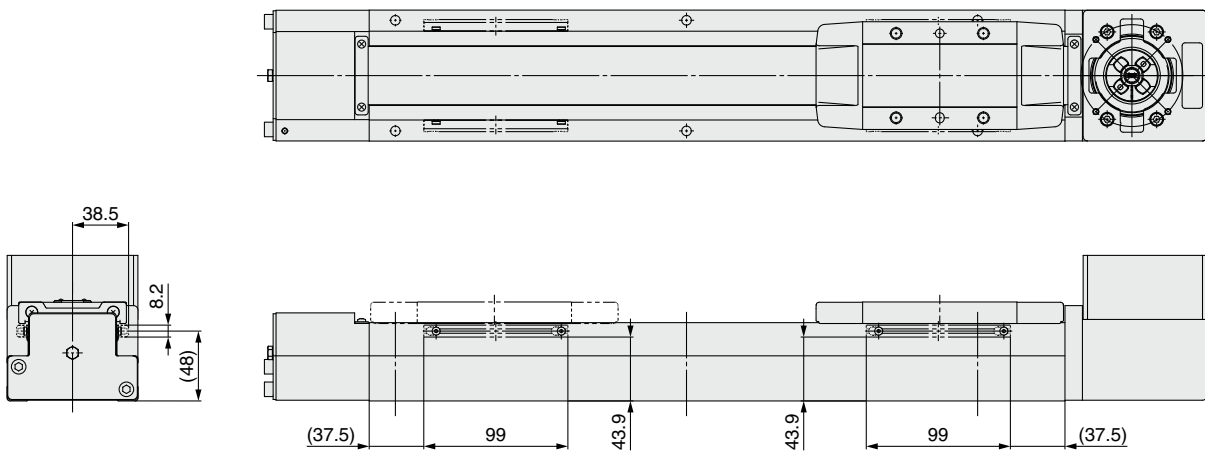
**LEFB40/Motor top mounting type**

**Positioning pin hole\*1 (Option): Body bottom**



\*1 When using the body bottom positioning pin holes, do not simultaneously use the housing B bottom pin hole.

**With auto switch (Option)**



**Dimensions [mm]**

Stroke	G
300	380
400	380
500	580
600	580
700	780
800	780
900	980
1000	980
1100	1180
1200	1180
1300	1380
1400	1380
1500	1580
1600	1580
1700	1780
1800	1780
1900	1980
2000	1980
2500	2580
3000	2980

Model Selection

LEKFS

LEFS

LEFB

LEJS

LET-X11

LEY

LEYG

LESYH

Motor Mounting

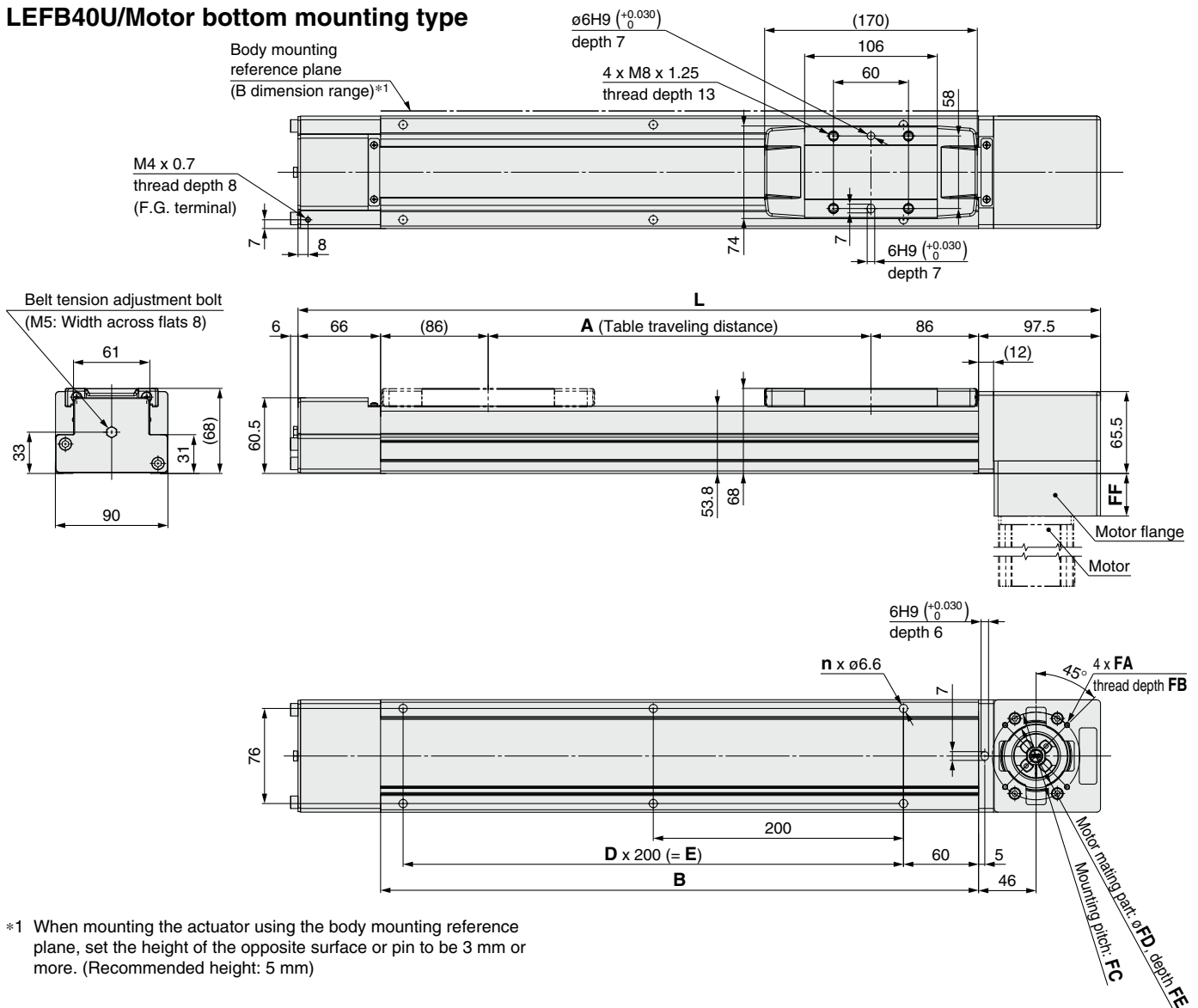
# LEFB Series

Motorless Type

Refer to the "Motor Mounting" on page 83 for details about motor mounting and included parts.

## Dimensions: Belt Drive

### LEFB40U/Motor bottom mounting type

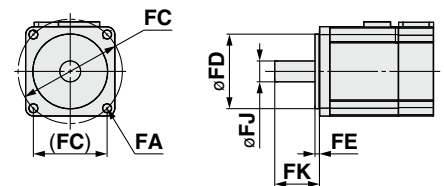


\*1 When mounting the actuator using the body mounting reference plane, set the height of the opposite surface or pin to be 3 mm or more. (Recommended height: 5 mm)

### Dimensions [mm]

Stroke	L	A	B	n	D	E
300	641.5	306	478	6	2	400
400	741.5	406	578	6	2	400
500	841.5	506	678	8	3	600
600	941.5	606	778	8	3	600
700	1041.5	706	878	10	4	800
800	1141.5	806	978	10	4	800
900	1241.5	906	1078	12	5	1000
1000	1341.5	1006	1178	12	5	1000
1100	1441.5	1106	1278	14	6	1200
1200	1541.5	1206	1378	14	6	1200
1300	1641.5	1306	1478	16	7	1400
1400	1741.5	1406	1578	16	7	1400
1500	1841.5	1506	1678	18	8	1600
1600	1941.5	1606	1778	18	8	1600
1700	2041.5	1706	1878	20	9	1800
1800	2141.5	1806	1978	20	9	1800
1900	2241.5	1906	2078	22	10	2000
2000	2341.5	2006	2178	22	10	2000
2500	2841.5	2506	2678	28	13	2600
3000	3341.5	3006	3178	32	15	3000

### Applicable motor dimensions



### Motor Mounting, Applicable Motor Dimensions [mm]

Mounting type	FA		FB	FC	FD	FE (Max.)	FF	FJ	FK
	Mounting type	Applicable motor							
NZ	M5 x 0.8	ø5.8	9	ø70	50	4	34	14	30 ±1
NY	M4 x 0.7	ø4.5	8	ø70	50	4	34	14	30 ±1
NX	M5 x 0.8	ø5.8	9	ø63	40*1	4.5*1	37.2	9	20 ±1
NW	M5 x 0.8	ø5.8	9	ø70	50	5	35	9	25 ±1
NV	M4 x 0.7	ø4.5	8	ø63	40*1	4.5*1	37.2	9	20 ±1
NU	M5 x 0.8	ø5.8	9	ø70	50	5	35	11	23 ±1
NT	M5 x 0.8	ø5.8	9	ø70	50	4	34	12	30 ±1
NM1	M4 x 0.7	ø4.5	8	□47.14	38.1*1	4.5*1	21	6.35*2	20 ±1
NM2	M4 x 0.7	ø4.5	8	□50	36*1	4.5*1	28.0	10	24 ±1

\*1 Dimensions after mounting a ring spacer (Refer to page 83.)

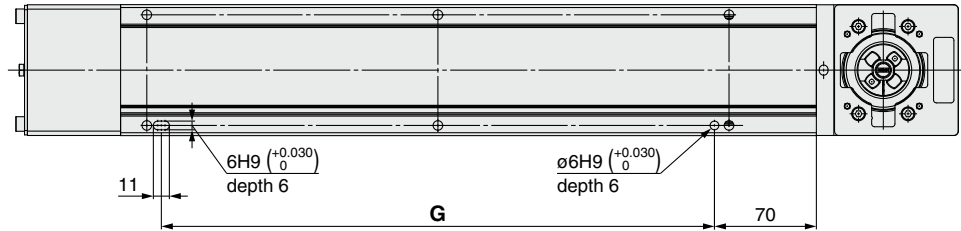
\*2 Shaft type: D-cut shaft

Refer to the "Motor Mounting" on page 83 for details about motor mounting and included parts.

**Dimensions: Belt Drive**

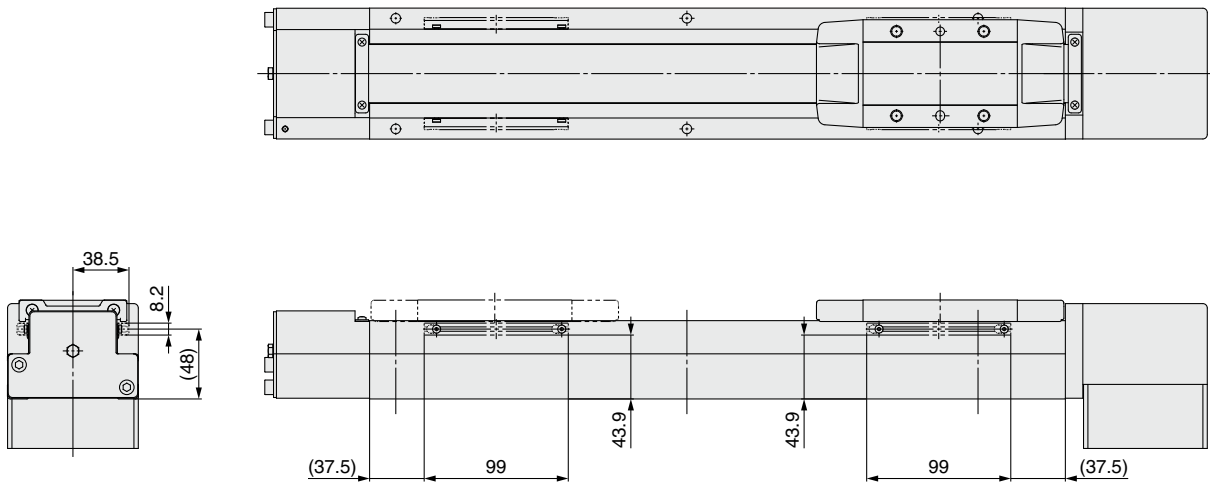
**LEFB40U/Motor bottom mounting type**

**Positioning pin hole \*1 (Option): Body bottom**



\*1 When using the body bottom positioning pin holes, do not simultaneously use the housing B bottom pin hole.

**With auto switch (Option)**



**Dimensions [mm]**

Stroke	G
300	380
400	380
500	580
600	580
700	780
800	780
900	980
1000	980
1100	1180
1200	1180
1300	1380
1400	1380
1500	1580
1600	1580
1700	1780
1800	1780
1900	1980
2000	1980
2500	2580
3000	2980

- Model Selection
- LEKFS
- LEFS
- LEFB**
- LEJS
- LET-X11
- LEY
- LEYG
- LESYH
- Motor Mounting



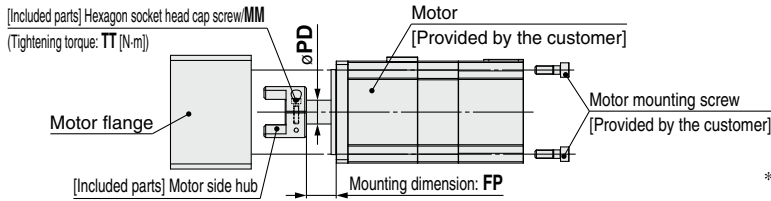
# LEFB Series

## Motorless Type

- When mounting a hub, remove all oil content, dust, and dirt adhered to the shaft and the inside of the hub.
- This product does not include the motor and motor mounting screws. (Provided by the customer)
- Prepare a motor with a round shaft end.  
For the "NM1," prepare a D-cut shaft.
- Take measures to prevent the loosening of the motor mounting screws and hexagon socket head set screws.

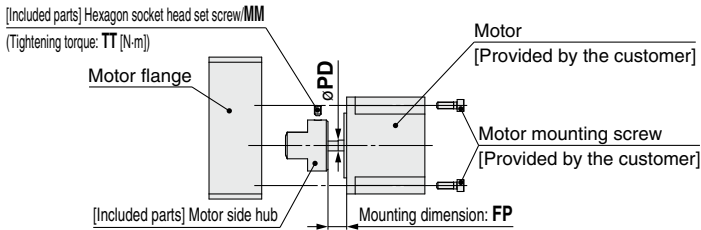
## Motor Mounting

### Mounting type: NZ, NY, NX, NW, NV, NU, NT, NM2



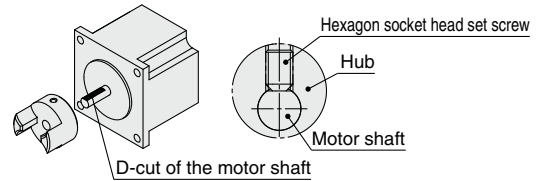
\* Note for mounting a motor to the NM2 mounting type  
Motor mounting screws for the LEFB25 are fixed starting from the motor flange side. (Opposite of the drawing)

### Mounting type: NM1



\* Note for mounting a hub to the NM1 mounting type  
When mounting the hub to the motor, make sure to position the set screw vertical to the D-cut surface of the motor shaft. (Refer to the figure shown below)

\* Motor mounting screws for the LEFB25 are fixed starting from the motor flange side. (Opposite of the drawing)

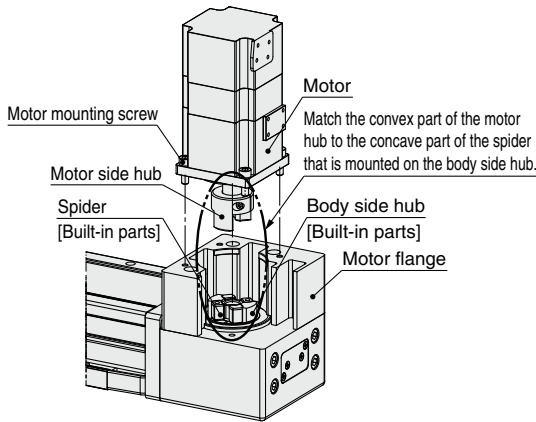


## Motor Mounting Diagram

### Mounting type: NZ, NY, NW, NU, NT

#### Mounting procedure

- 1) Secure the motor hub to the motor (provided by the customer) with the MM hexagon socket head cap screw.
- 2) Check the motor hub position, and then insert it. (Refer to the mounting diagram.)
- 3) Secure the motor to the motor flange with the motor mounting screws (provided by the customer).

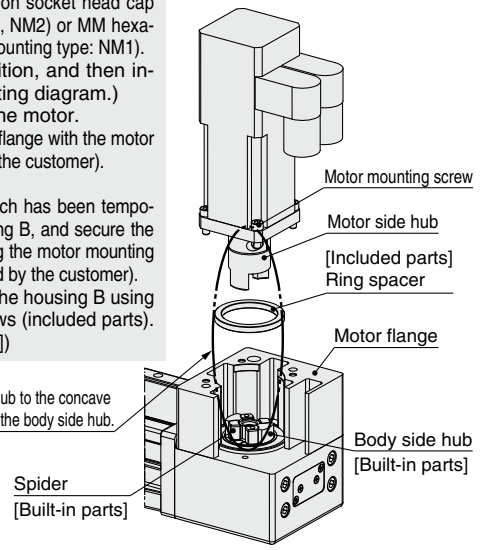


### Mounting type: NX, NV, NM1, NM2

#### Mounting procedure

- 1) Secure the motor hub to the motor (provided by the customer) with the MM hexagon socket head cap screw (Mounting type: NX, NV, NM2) or MM hexagon socket head set screw (Mounting type: NM1).
- 2) Check the motor hub position, and then insert it. (Refer to the mounting diagram.)
- 3) Mount the ring spacer to the motor.
- 4) Secure the motor to the motor flange with the motor mounting screws (provided by the customer).
- \* For the LEFB25
- 4) Remove the motor flange, which has been temporarily mounted, from the housing B, and secure the motor to the motor flange using the motor mounting screws (that are to be prepared by the customer).
- 5) Tighten the motor flange to the housing B using motor flange mounting screws (included parts). (Tightening torque: 1.5 [N·m])

Match the convex part of the motor hub to the concave part of the spider that is mounted on the body side hub.



### Size: 25 Hub Mounting Dimensions [mm]

Mounting type	MM	TT	PD	FP
NZ	M2.5 x 10	1.0	8	11
NY	M2.5 x 10	1.0	8	11
NX	M2.5 x 10	1.0	8	5.5
NM1	M3 x 4	0.63	5	11
NM2	M2.5 x 10	1.0	6	11

### Size: 32 Hub Mounting Dimensions [mm]

Mounting type	MM	TT	PD	FP
NZ	M3 x 12	1.5	14	17.5
NY	M4 x 12	2.5	11	17.5
NX	M4 x 12	2.5	9	5.2
NW	M4 x 12	2.5	9	12.5
NV	M4 x 12	2.5	9	5.2
NU	M4 x 12	2.5	11	12.5
NT	M3 x 12	1.5	12	17.5
NM1	M4 x 5	1.5	6.35	4.5
NM2	M4 x 12	2.5	10	12

### Size: 40 Hub Mounting Dimensions [mm]

Mounting type	MM	TT	PD	FP
NZ	M3 x 12	1.5	14	17.5
NY	M3 x 12	1.5	14	17.5
NX	M4 x 12	2.5	9	5.2
NW	M4 x 12	2.5	9	13
NV	M4 x 12	2.5	9	5.2
NU	M4 x 12	2.5	11	13
NT	M3 x 12	1.5	12	17.5
NM1	M4 x 5	1.5	6.35	5
NM2	M4 x 12	2.5	10	12

## Included Parts List

### Size: 25

Description	Quantity				
	Mounting type				
	NZ	NY	NX	NM1	NM2
Motor side hub	1	1	1	1	1
Hexagon socket head cap screw/set screw (to secure the hub)*1	1	1	1	1	1
Hexagon socket head cap screw M4 x 30 (to secure the motor flange)	—	—	—	2	2
Ring spacer	—	—	—	1	1

\*1 For screw sizes, refer to the hub mounting dimensions.

### Size: 32, 40

Description	Quantity									
	Mounting type									
	NZ	NY	NX	NW	NV	NU	NT	NM1	NM2	
Motor side hub	1	1	1	1	1	1	1	1	1	
Hexagon socket head cap screw/set screw (to secure the hub)*1	1	1	1	1	1	1	1	1	1	
Ring spacer	—	—	1	—	1	—	—	1	1	

\*1 For screw sizes, refer to the hub mounting dimensions.

# LEFB Series Motor Mounting Parts

## Motor Flange Option

After purchasing the product, the motor can be changed to the mounting types shown below by replacing with this option. (Except NM1)  
Use the following part numbers to select a compatible motor flange option and place an order.

## How to Order

LEFB-MF25-NZ

Belt drive

①

②

### ① Size

25	For LEFB□25
32	For LEFB□32
40	For LEFB□40

### ② Mounting type

NZ	NV
NY	NU
NX	NT
NW	NM2

\* Select only NZ, NY, NX or NM2 for the LEFB-MF25.

## Compatible Motors and Mounting Types\*1

Applicable motor model		Size/Mounting type													
Manufacturer	Series	25					32/40								
		NZ	NY	NX	NM1	NM2	NZ	NY	NX	NW	NV	NU	NT	NM1	NM2
Mitsubishi Electric Corporation	MELSERVO JN/J4/J5	●	—	—	—	—	●	—	—	—	—	—	—	—	—
YASKAWA Electric Corporation	Σ-V/7/X	●	—	—	—	—	●	—	—	—	—	—	—	—	
SANYO DENKI CO., LTD.	SANMOTION R	●	—	—	—	—	●	—	—	—	—	—	—	—	
OMRON Corporation	OMNUC G5/1S	●	—	—	—	—	—	●	—	—	—	—	—	—	
Panasonic Corporation	MINAS A5/A6	● (MHMF only)	●	—	—	—	—	●	—	—	—	—	—	—	
FANUC CORPORATION	βis (-B)	●	—	—	—	—	● (β1 only)	—	—	●	—	—	—	—	
NIDEC SANKYO CORPORATION	S-FLAG	●	—	—	—	—	●	—	—	—	—	—	—	—	
KEYENCE CORPORATION	SV/SV2	●	—	—	—	—	●	—	—	—	—	—	—	—	
FUJI ELECTRIC CO., LTD.	ALPHA7	●	—	—	—	—	●	—	—	—	—	—	—	—	
MinebeaMitsumi Inc.	Hybrid stepping motors	—	—	—	●	—	—	—	—	—	—	—	—	●	
Shinano Kenshi Co., Ltd.	CSB-BZ	—	—	—	●	—	—	—	—	—	—	—	—	—	
ORIENTAL MOTOR Co., Ltd.	α-STEP AR/AZ	—	—	—	—	● (46 only)	—	—	—	—	—	—	—	●	
FASTECH Co., Ltd.	Ezi-SERVO	—	—	—	●	—	—	—	—	—	—	—	—	●	
Rockwell Automation, Inc. (Allen-Bradley)	Kinetix MP/VP/TL	● (TL only)	—	—	—	—	—	—	—	● (MP/VP only)	—	—	—	● (TL only)	
Beckhoff Automation GmbH	AM 30/31/80/81	●	—	—	—	—	—	—	● (80/81 only)	—	● (30 only)	● (31 only)	—	—	
Siemens AG	SIMOTICS S-1FK7	—	—	●	—	—	—	—	●	—	—	—	—	—	
Delta Electronics, Inc.	ASDA-A2	●	—	—	—	—	●	—	—	—	—	—	—	—	
ANCA Motion	AMD2000	●	—	—	—	—	●	—	—	—	—	—	—	—	

\*1 The compatible motors and mounting types are typical examples. Select the mounting type after referring to the "Motor Mounting, Applicable Motor Dimensions" tables on the following actuator body "Dimensions" pages.

\* When the LEFB25NM1□□ is purchased, it is not possible to change to other mounting types.

Model Selection

LEKFS

LEFS

LEFB

LEJS

LET-X11

LEY

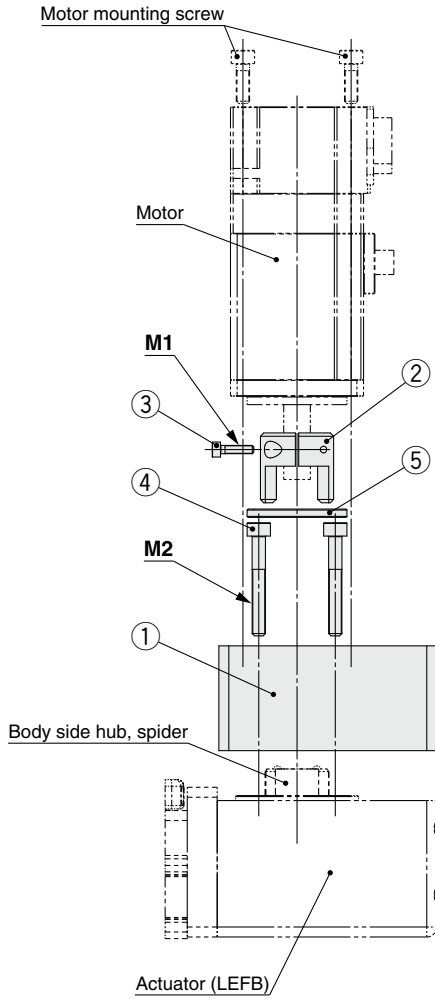
LEYG

LESYH

Motor Mounting

# LEFB Series

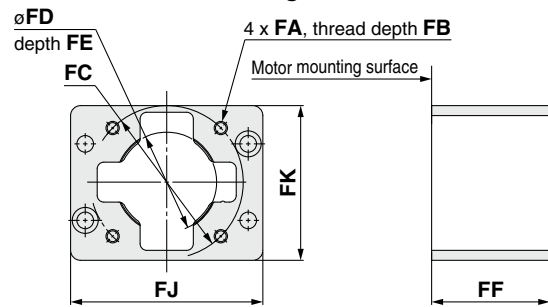
## Dimensions: Motor Flange Option



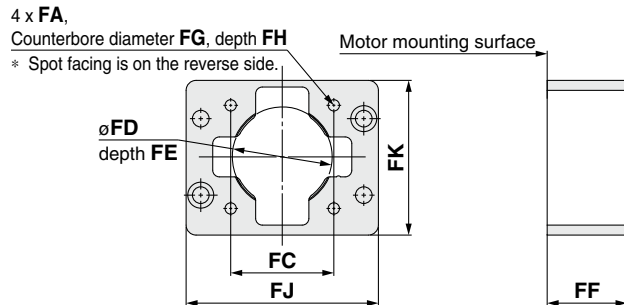
### Component Parts

No.	Description	Quantity
1	Motor flange	1
2	Hub (Motor side)	1
3	Hexagon socket head cap screw (to secure the hub)	1
4	Hexagon socket head cap screw (to mount the motor flange)	2
5	Ring spacer (Only for mounting types "NM2" in size 25 and "NX," "NV," and "NM2" in sizes 32 and 40)	1

### Motor flange details



### For NM2



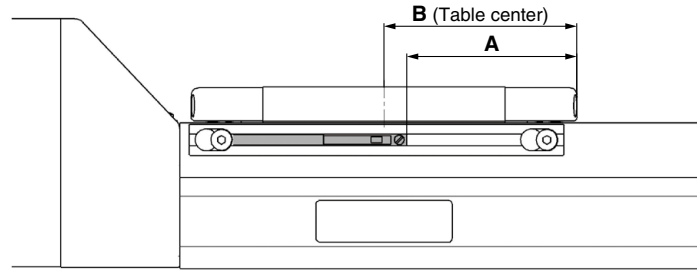
### Dimensions

Size	Mounting type	FA	FB	FC	FD	FE	FF	FG	FH	FJ	FK	M1	M2	PD
25	NZ/NX	M4 x 0.7	8	∅46	30	3.5	31.5	—	—	57.8	65.5	M2.5 x 10	M4 x 30	8
	NY	M3 x 0.5	8	∅45	30	3.5	31.5	—	—	57.8	65.5	M2.5 x 10	M4 x 30	8
	NM2	∅3.4	—	□31	22 <sup>*1</sup>	2.5 <sup>*1</sup>	31.5	6	21	57.8	65.5	M2.5 x 10	M4 x 30	6
32	NZ	M5 x 0.8	9	∅70	50	4	44	—	—	69.8	83.5	M3 x 12	M5 x 45	14
	NY	M4 x 0.7	8	∅70	50	4	44	—	—	69.8	83.5	M4 x 12	M5 x 45	11
	NX	M5 x 0.8	9	∅63	40 <sup>*1</sup>	5	47.7	—	—	69.8	83.5	M4 x 12	M5 x 45	9
	NW	M5 x 0.8	9	∅70	50	5	45	—	—	69.8	83.5	M4 x 12	M5 x 45	9
	NV	M4 x 0.7	8	∅63	40 <sup>*1</sup>	5	47.7	—	—	69.8	83.5	M4 x 12	M5 x 45	9
	NU	M5 x 0.8	9	∅70	50	5	45	—	—	69.8	83.5	M4 x 12	M5 x 45	11
	NT	M5 x 0.8	9	∅70	50	4	44	—	—	69.8	83.5	M3 x 12	M5 x 45	12
	NM2	M4 x 0.7	8	□50	36 <sup>*1</sup>	4.5 <sup>*1</sup>	38.5	—	—	69.8	83.5	M4 x 12	M5 x 25	10
40	NZ	M5 x 0.8	9	∅70	50	4	44	—	—	89.8	85	M3 x 12	M5 x 45	14
	NY	M4 x 0.7	8	∅70	50	4	44	—	—	89.8	85	M3 x 12	M5 x 45	14
	NX	M5 x 0.8	9	∅63	40 <sup>*1</sup>	5	47.2	—	—	89.8	85	M4 x 12	M5 x 45	9
	NW	M5 x 0.8	9	∅70	50	5	45	—	—	89.8	85	M4 x 12	M5 x 45	9
	NV	M4 x 0.7	8	∅63	40 <sup>*1</sup>	5	47.2	—	—	89.8	85	M4 x 12	M5 x 45	9
	NU	M5 x 0.8	9	∅70	50	5	45	—	—	89.8	85	M4 x 12	M5 x 45	11
	NT	M5 x 0.8	9	∅70	50	4	44	—	—	89.8	85	M3 x 12	M5 x 45	12
	NM2	M4 x 0.7	8	□50	36 <sup>*1</sup>	4.5 <sup>*1</sup>	38	—	—	89.8	85	M4 x 12	M5 x 25	10

\*1 Dimensions after mounting a ring spacer

# LEF Series Auto Switch Mounting

## Auto Switch Mounting Position



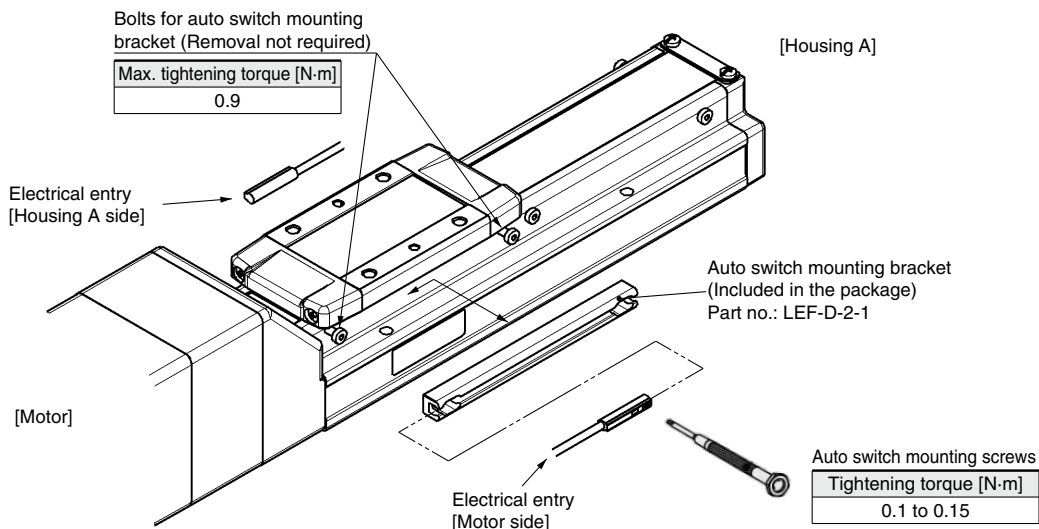
Model	Size	A	B	Operating range
LEFS LEFB	25	45	51	4.9
	32	55	61	3.9
	40	79	85	5.3

- \* The applicable auto switch is D-M9 (N/P/B) (W) (M/L/Z).
- \* The operating range is a guideline including hysteresis, not meant to be guaranteed. There may be large variations depending on the ambient environment.
- \* Adjust the auto switch after confirming the operating conditions in the actual setting.

## Auto Switch Mounting

Rotate the bolts for auto switch mounting bracket three to four times to loosen them (Removing them is not required), and slide and remove the auto switch mounting bracket. Then, insert a switch into the groove on the mounting bracket.

As the mounting bolts for installing the product body interfere with the auto switch mounting bracket, mount the auto switch mounting bracket after installing the product body. After installing product body, tighten the bolts for the auto switch mounting bracket.



- \* The applicable auto switch is D-M9 (N/P/B) (W) (M/L/Z).
- \* The direction of the lead wire entry is specified. If it is mounted in the opposite direction, the auto switch may malfunction.
- \* Tighten the auto switch mounting screws (provided together with the auto switch), using a precision screwdriver with a handle diameter of approximately 5 to 6 mm.
- \* If more than two auto switch mounting brackets are required, please order them separately. All eight bolts for attaching the auto switch mounting bracket at the stroke end are tightened into the body when the product is shipped.  
For strokes of 99 mm or less, only four bolts are tightened on the motor side.

Model Selection

LEKFS

LEFS

LEFB

LEJS

LET-X11

LEY

LEYG

LESYH

Motor Mounting

# Solid State Auto Switch Direct Mounting Type D-M9N(V)/D-M9P(V)/D-M9B(V)



Refer to the SMC website for details on products that are compliant with international standards.

## Auto Switch Specifications

PLC: Programmable Logic Controller

D-M9□, D-M9□V (With indicator light)						
Auto switch model	D-M9N	D-M9NV	D-M9P	D-M9PV	D-M9B	D-M9BV
Electrical entry direction	In-line	Perpendicular	In-line	Perpendicular	In-line	Perpendicular
Wiring type	3-wire				2-wire	
Output type	NPN		PNP		—	
Applicable load	IC circuit, Relay, PLC				24 VDC relay, PLC	
Power supply voltage	5, 12, 24 VDC (4.5 to 28 V)				—	
Current consumption	10 mA or less				—	
Load voltage	28 VDC or less		—		24 VDC (10 to 28 VDC)	
Load current	40 mA or less				2.5 to 40 mA	
Internal voltage drop	0.8 V or less at 10 mA (2 V or less at 40 mA)				4 V or less	
Leakage current	100 μA or less at 24 VDC				0.8 mA or less	
Indicator light	Red LED illuminates when turned ON.					
Standards	CE/UKCA marking					

### Grommet

- 2-wire load current is reduced (2.5 to 40 mA).
- Using flexible cable as standard spec.



## Oilproof Flexible Heavy-duty Lead Wire Specifications

Auto switch model		D-M9N(V)	D-M9P(V)	D-M9B(V)
Sheath	Outside diameter [mm]	ø2.6		
Insulator	Number of cores	3 cores (Brown/Blue/Black)		2 cores (Brown/Blue)
	Outside diameter [mm]	ø0.88		
Conductor	Effective area [mm <sup>2</sup> ]	0.15		
	Strand diameter [mm]	ø0.05		
Min. bending radius [mm] (Reference values)		17		

- \* Refer to the **Web Catalog** for solid state auto switch common specifications.
- \* Refer to the **Web Catalog** for lead wire lengths.

### Caution

#### Precautions

Fix the auto switch with the existing screw installed on the auto switch body. The auto switch may be damaged if a screw other than the one supplied is used.

## Weight

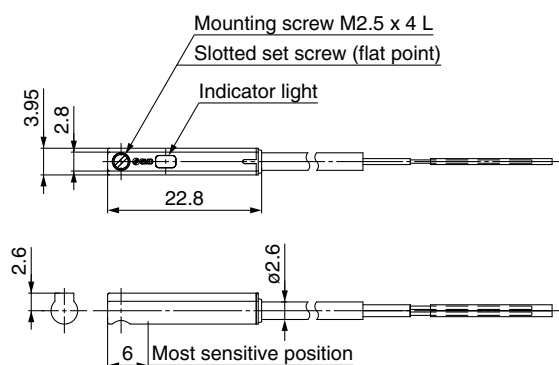
[g]

Auto switch model		D-M9N(V)	D-M9P(V)	D-M9B(V)
Lead wire length	0.5 m (Nil)	8	7	7
	1 m (M)	14	13	13
	3 m (L)	41	38	38
	5 m (Z)	68	63	63

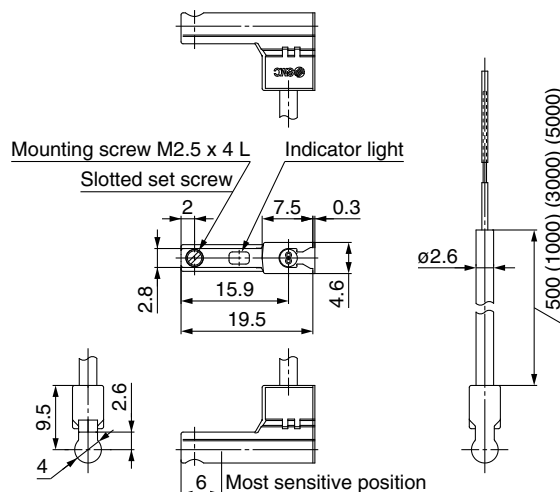
## Dimensions

[mm]

### D-M9□



### D-M9□V



# Normally Closed Solid State Auto Switch Direct Mounting Type D-M9NE(V)/D-M9PE(V)/D-M9BE(V)



Refer to the SMC website for details on products that are compliant with international standards.

PLC: Programmable Logic Controller

## Auto Switch Specifications

D-M9□E, D-M9□EV (With indicator light)						
Auto switch model	D-M9NE	D-M9NEV	D-M9PE	D-M9PEV	D-M9BE	D-M9BEV
Electrical entry direction	In-line	Perpendicular	In-line	Perpendicular	In-line	Perpendicular
Wiring type	3-wire				2-wire	
Output type	NPN		PNP		—	
Applicable load	IC circuit, Relay, PLC				24 VDC relay, PLC	
Power supply voltage	5, 12, 24 VDC (4.5 to 28 V)				—	
Current consumption	10 mA or less				—	
Load voltage	28 VDC or less		—		24 VDC (10 to 28 VDC)	
Load current	40 mA or less				2.5 to 40 mA	
Internal voltage drop	0.8 V or less at 10 mA (2 V or less at 40 mA)				4 V or less	
Leakage current	100 μA or less at 24 VDC				0.8 mA or less	
Indicator light	Red LED illuminates when turned ON.					
Standards	CE/UKCA marking					

## Oilproof Flexible Heavy-duty Lead Wire Specifications

Auto switch model	D-M9NE(V)	D-M9PE(V)	D-M9BE(V)
Sheath	Outside diameter [mm]	ø2.6	
Insulator	Number of cores	3 cores (Brown/Blue/Black)	2 cores (Brown/Blue)
	Outside diameter [mm]	ø0.88	
Conductor	Effective area [mm <sup>2</sup> ]	0.15	
	Strand diameter [mm]	ø0.05	
Min. bending radius [mm] (Reference values)			
17			

\* Refer to the **Web Catalog** for solid state auto switch common specifications.  
\* Refer to the **Web Catalog** for lead wire lengths.

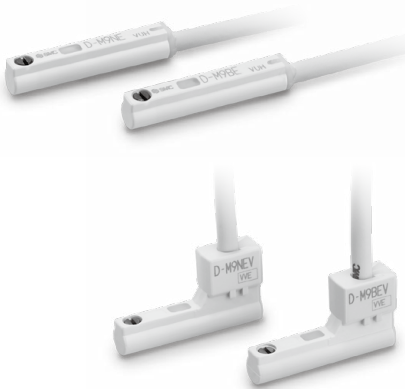
## Weight

Auto switch model	D-M9NE(V)	D-M9PE(V)	D-M9BE(V)
Lead wire length	0.5 m (Nil)	8	7
	1 m (M)*1	14	13
	3 m (L)	41	38
	5 m (Z)*1	68	63

\*1 The 1 m and 5 m options are produced upon receipt of order.

## Grommet

- Output signal turns on when no magnetic force is detected.
- Can be used for the actuator adopted by the solid state auto switch D-M9 series (excluding special order products)



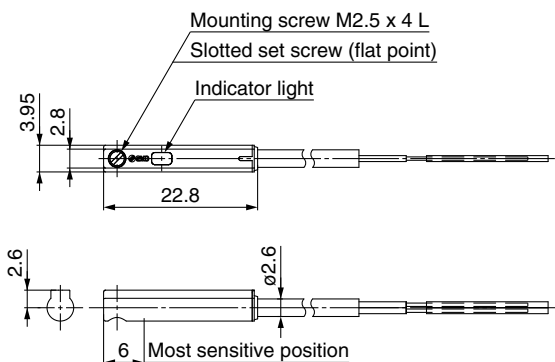
## Caution

### Precautions

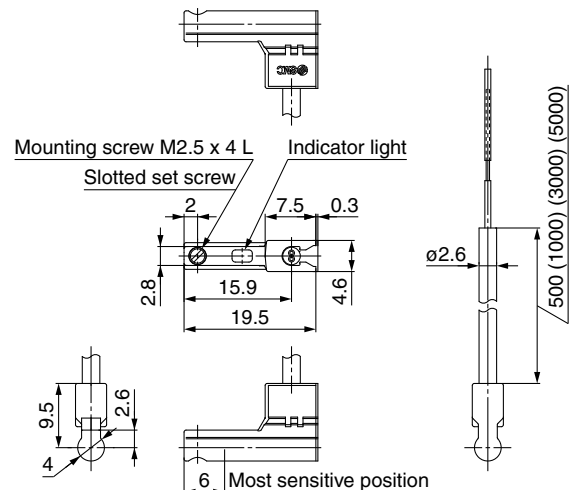
Fix the auto switch with the existing screw installed on the auto switch body. The auto switch may be damaged if a screw other than the one supplied is used.

## Dimensions

### D-M9□E



### D-M9□EV



# 2-Color Indicator Solid State Auto Switch Direct Mounting Type D-M9NW/D-M9PW/D-M9BW



Refer to the SMC website for details on products that are compliant with international standards.

PLC: Programmable Logic Controller

## Grommet

- 2-wire load current is reduced (2.5 to 40 mA).
- Using flexible cable as standard spec.
- The proper operating range can be determined by the color of the light. (Red → Green ← Red)



## Caution

### Precautions

Fix the auto switch with the existing screw installed on the auto switch body. The auto switch may be damaged if a screw other than the one supplied is used.

## Auto Switch Specifications

D-M9□W, D-M9□WV (With indicator light)			
Auto switch model	D-M9NW	D-M9PW	D-M9BW
Electrical entry direction	In-line		
Wiring type	3-wire		2-wire
Output type	NPN	PNP	—
Applicable load	IC circuit, Relay, PLC		24 VDC relay, PLC
Power supply voltage	5, 12, 24 VDC (4.5 to 28 V)		—
Current consumption	10 mA or less		
Load voltage	28 VDC or less	—	24 VDC (10 to 28 VDC)
Load current	40 mA or less		2.5 to 40 mA
Internal voltage drop	0.8 V or less at 10 mA (2 V or less at 40 mA)		4 V or less
Leakage current	100 μA or less at 24 VDC		0.8 mA or less
Indicator light	Operating range ..... Red LED illuminates. Proper operating range ..... Green LED illuminates.		
Standards	CE/UKCA marking		

## Oilproof Flexible Heavy-duty Lead Wire Specifications

Auto switch model		D-M9NW	D-M9PW	D-M9BW
Sheath	Outside diameter [mm]	ø2.6		
Insulator	Number of cores	3 cores (Brown/Blue/Black)		2 cores (Brown/Blue)
	Outside diameter [mm]	ø0.88		
Conductor	Effective area [mm <sup>2</sup> ]	0.15		
	Strand diameter [mm]	ø0.05		
Min. bending radius [mm] (Reference values)		17		

- \* Refer to the **Web Catalog** for solid state auto switch common specifications.
- \* Refer to the **Web Catalog** for lead wire lengths.

## Weight

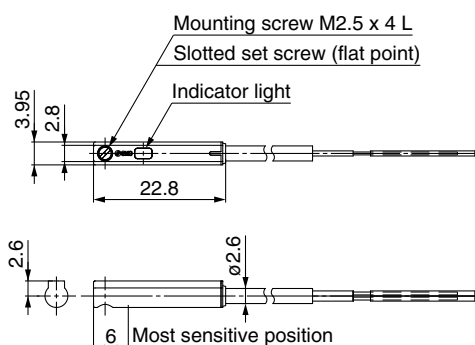
[g]

Auto switch model		D-M9NW	D-M9PW	D-M9BW
Lead wire length	0.5 m (Nil)	8	7	7
	1 m (M)	14	13	13
	3 m (L)	41	38	38
	5 m (Z)	68	63	63

## Dimensions

[mm]

### D-M9□W







# LEF Series Specific Product Precautions 1

Be sure to read this before handling the products. Refer to the back cover for safety instructions. For electric actuator and auto switch precautions, refer to the “Handling Precautions for SMC Products” and the “Operation Manual” on the SMC website: <https://www.smcworld.com>

## Design

### ⚠ Caution

- Do not apply a load in excess of the specification limits.**  
Select a suitable actuator by work load and allowable moment. If a load in excess of the specification limits is applied to the guide, adverse effects such as the generation of play in the guide, reduced accuracy, or reduced service life of the product may occur.
- Do not use the product in applications where excessive external force or impact force is applied to it.**  
This can cause a malfunction.

## Selection

### ⚠ Warning

- Do not increase the speed in excess of the specification limits.**  
Select a suitable actuator by the relationship of the allowable work load and speed, and the allowable speed of each stroke. If the product is used outside of the specification limits, adverse effects such as the generation of noise, reduced accuracy, or reduced service life of the product may occur.
- Do not use the product in applications where excessive external force or impact force is applied to it.**  
This can cause a malfunction.
- When the product repeatedly cycles with partial strokes (see the table below), operate it at a full stroke at least once every few dozens of cycles.**  
Failure to do so may result in the product running out of lubrication.

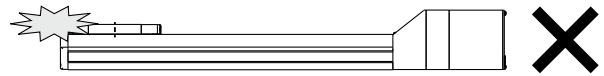
Model	Partial stroke
LEF□25	65 mm or less
LEF□32	70 mm or less
LEF□40	105 mm or less

- When external force is to be applied to the table, it is necessary to add the external force to the work load as the total carried load when selecting a size.**  
When a cable duct or flexible moving tube is attached to the actuator, the sliding resistance of the table will increase, which may lead to the malfunction of the product.
- Depending on the shape of the motor to be mounted, some of the product’s interior parts (hub, spider, etc.) may be visible from the motor mounting surface. If this is undesirable, please contact your nearest sales office for details on options such as covers.**

## Handling

### ⚠ Caution

- Never allow the table to collide with the stroke end.**  
When the driver parameters, origin or programs are set incorrectly, the table may collide with the stroke end of the actuator during operation. Be sure to check these points before use. If the table collides with the stroke end of the actuator, the guide, ball screw, belt, or internal stopper may break. This can result in abnormal operation.



Handle the actuator with care when it is used in the vertical direction as the workpiece will fall freely from its own weight.

- The actual speed of this actuator is affected by the work load and stroke.**  
Check the model selection section of the catalog.
- Do not apply a load, impact, or resistance in addition to the transferred load during return to origin.**
- Do not dent, scratch, or cause other damage to the body or table mounting surfaces.**  
Doing so may cause unevenness in the mounting surface, play in the guide, or an increase in the sliding resistance.
- Do not apply strong impact or an excessive moment while mounting a workpiece.**  
If an external force over the allowable moment is applied, it may cause play in the guide or an increase in the sliding resistance.
- Keep the flatness of the mounting surface within 0.1 mm/500 mm.**  
If a workpiece or base does not sit evenly on the body of the product, play in the guide or an increase in the sliding resistance may occur.
- Do not allow a workpiece to collide with the table during the positioning operation or within the positioning range.**
- Grease is applied to the dust seal band for sliding. When wiping off the grease to remove foreign matter, etc., be sure to apply it again.**
- When bottom mounted, the dust seal band may become warped.**

Model Selection

LEKFS

LEFS

LEFB

LEJS

LET-X11

LEY

LEYG

LESYH

Motor Mounting



# LEF Series Specific Product Precautions 2

Be sure to read this before handling the products. Refer to the back cover for safety instructions. For electric actuator and auto switch precautions, refer to the “Handling Precautions for SMC Products” and the “Operation Manual” on the SMC website: <https://www.smcworld.com>

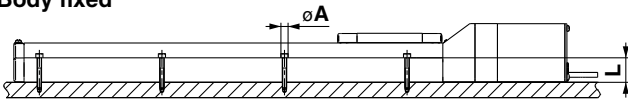
## Handling

### ⚠ Caution

#### 10. When mounting the product, use screws of adequate length and tighten them with adequate torque.

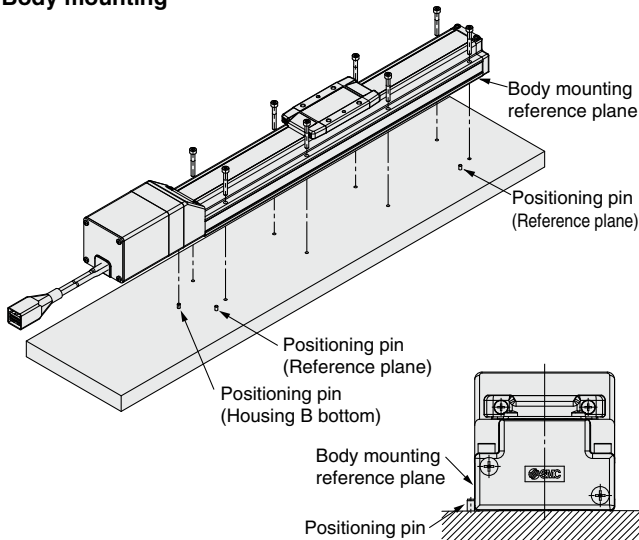
Tightening the screws with a higher torque than recommended may result in a malfunction, while tightening with a lower torque can result in the displacement of the mounting position or, in extreme conditions, the actuator could become detached from its mounting position.

#### Body fixed



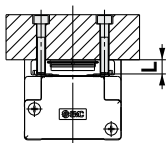
Model	Screw size	Max. tightening torque [N·m]	$\phi A$ [mm]	L [mm]
LEF□25	M4	1.5	4.5	24
LEF□32	M5	3.0	5.5	30
LEF□40	M6	5.2	6.6	31

#### Body mounting



The traveling parallelism is the reference plane for the body mounting reference plane. If the traveling parallelism for a table is required, set the reference plane against parallel pins, etc.

#### Workpiece fixed



Model	Screw size	Max. tightening torque [N·m]	L (Max. screw-in depth) [mm]
LEF□25	M5 x 0.8	3.0	8
LEF□32	M6 x 1	5.2	9
LEF□40	M8 x 1.25	12.5	13

To prevent the workpiece retaining screws from touching the body, use screws that are 0.5 mm or shorter than the maximum screw-in depth. If long screws are used, they may touch the body and cause a malfunction.

#### 11. Do not operate by fixing the table and moving the actuator body.

#### 12. The belt drive actuator cannot be used for vertical applications.

#### 13. Check the specifications for the minimum speed of each actuator.

Failure to do so may result in unexpected malfunctions such as knocking.

#### 14. In the case of the belt drive actuator, vibration may occur during operation at speeds within the actuator specifications due to the operating conditions. Change the speed setting to a speed that does not cause vibration.

## Maintenance

### ⚠ Warning

#### Maintenance frequency

Perform maintenance according to the table below.

Frequency	Appearance check	Internal check
Inspection before daily operation	○	—
Inspection every 6 months/1000 km/5 million cycles*1	○	○

\*1 Select whichever comes first.

#### ● Items for visual appearance check

1. Loose set screws, Abnormal amount of dirt, etc.
2. Check for visible damage, Check of cable joint
3. Vibration, Noise

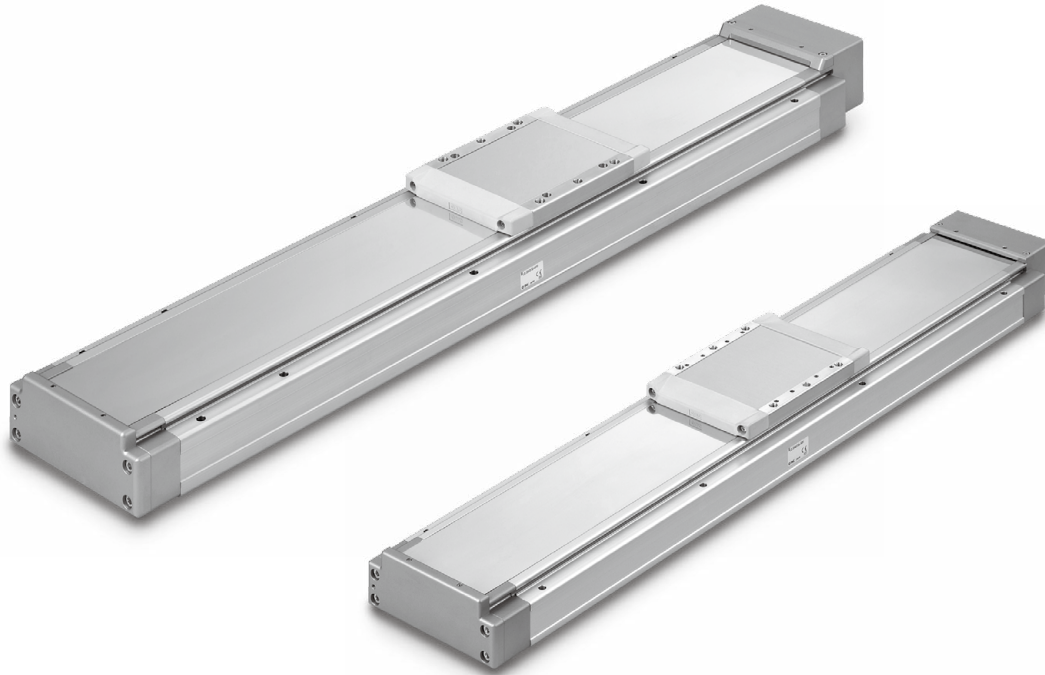
#### ● Items for internal check

1. Lubricant condition on moving parts
2. Loose or mechanical play in fixed parts or fixing screws

# High Rigidity Slider Type

## Ball Screw Drive *LEJS Series*

p. 93



Model Selection

LEKFS

LEFS

LEFB

LEJS

LET-X11

LEY

LEYG

LESYH

Motor Mounting

# Model Selection



LEJS Series ▶ p. 105    LEJS-M Series ▶ p. 109

## Selection Procedure

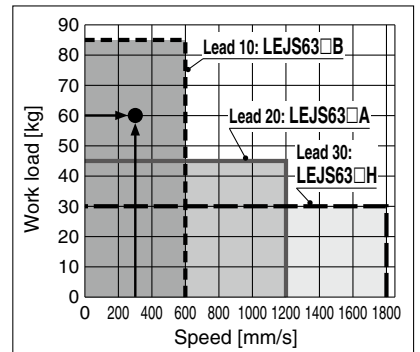
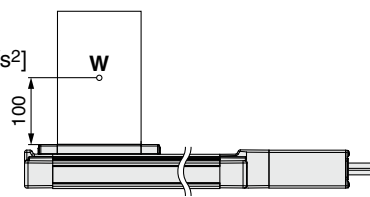


### Selection Example

The model selection method shown below corresponds to SMC's standard motor. For use in combination with a motor from a different manufacturer, check the available product information of the motor to be used.

#### Operating conditions

- Work load: 60 [kg]
  - Speed: 300 [mm/s]
  - Acceleration/Deceleration: 3000 [mm/s<sup>2</sup>]
  - Stroke: 300 [mm]
  - Mounting orientation: Horizontal
  - External force: 10 [N]
- Workpiece mounting condition:



<Speed-Work Load Graph>  
(LEJS63)

#### Step 1 Check the speed-work load.

Select a model based on the workpiece mass and speed which are within the range of the actuator body specifications while referencing the speed-work load graph (guide) on page 94.

Selection example) The LEJS63□B-300 can be temporarily selected as a possible candidate based on the graph shown on the right side.

\* Refer to the selection method of motor manufacturers for regeneration resistance.

#### Step 2 Check the cycle time.

Refer to method 1 for a rough estimate, and method 2 for a more precise value.

##### Method 1: Check the cycle time graph. (pages 95, 96)

The graph is based on the maximum speed of each size.

##### Method 2: Calculation

###### Cycle time:

T can be found from the following equation.

$$T = T1 + T2 + T3 + T4 \text{ [s]}$$

- T1 and T3 can be found by the following equation.

$$T1 = V/a1 \text{ [s]} \quad T3 = V/a2 \text{ [s]}$$

The acceleration and deceleration values have upper limits depending on the workpiece mass and the duty ratio. Confirm that they do not exceed the upper limit, by referring to the "Work load-Acceleration/Deceleration Graph (Guide)" on pages 97 to 100.

For the ball screw type, there is an upper limit of the speed depending on the stroke. Confirm that it does not exceed the upper limit, by referring to the specifications on page 106.

- T2 can be found from the following equation.

$$T2 = \frac{L - 0.5 \cdot V \cdot (T1 + T3)}{V} \text{ [s]}$$

- T4 varies depending on the motor type and load. The value below is recommended.

$$T4 = 0.05 \text{ [s]}$$

\* The conditions for the settling time vary depending on the motor or driver to be used.

###### Calculation example)

T1 to T4 can be calculated as follows.

$$T1 = V/a1 = 300/3000 = 0.1 \text{ [s]}$$

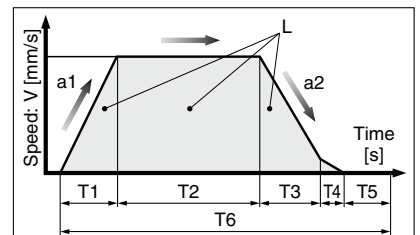
$$T3 = V/a2 = 300/3000 = 0.1 \text{ [s]}$$

$$T2 = \frac{L - 0.5 \cdot V \cdot (T1 + T3)}{V} = \frac{300 - 0.5 \cdot 300 \cdot (0.1 + 0.1)}{300} = 0.90 \text{ [s]}$$

$$T4 = 0.05 \text{ [s]}$$

The cycle time can be found as follows.

$$T = T1 + T2 + T3 + T4 = 0.1 + 0.90 + 0.1 + 0.05 = 1.15 \text{ [s]}$$



- L : Stroke [mm]
- V : Speed [mm/s]
- a1 : Acceleration [mm/s<sup>2</sup>]
- a2 : Deceleration [mm/s<sup>2</sup>]

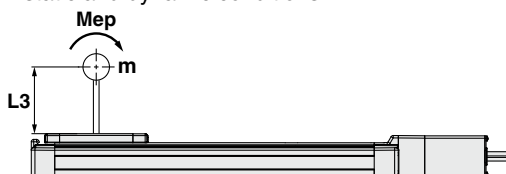
- T1: Acceleration time [s]  
Time until reaching the set speed
- T2: Constant speed time [s]  
Time while the actuator is operating at a constant speed
- T3: Deceleration time [s]  
Time from the beginning of the constant speed operation to stop
- T4: Settling time [s]  
Time until positioning is completed
- T5: Resting time [s]  
Time the product is not running
- T6: Total time [s]  
Total time from T1 to T5

Duty ratio: Ratio of T to T6  
 $T \div T6 \times 100$

#### Step 3 Check the allowable moment. <Static allowable moment> (page 94)

#### <Dynamic allowable moment> (page 101)

Confirm the moment that applies to the actuator is within the allowable range for both static and dynamic conditions.

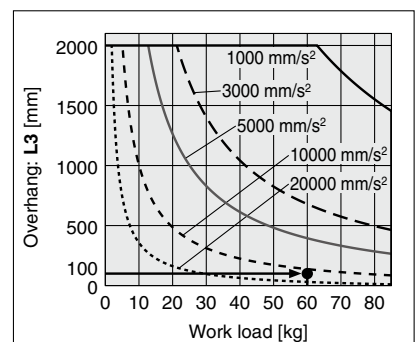


###### Selection example)

Select the LEJS63□B-300 from the graph on the right side.

Confirm that the external force is within the allowable external force (20 [N]).

(The external force is the resistance due to cable duct, flexible trunking or air tubing.)



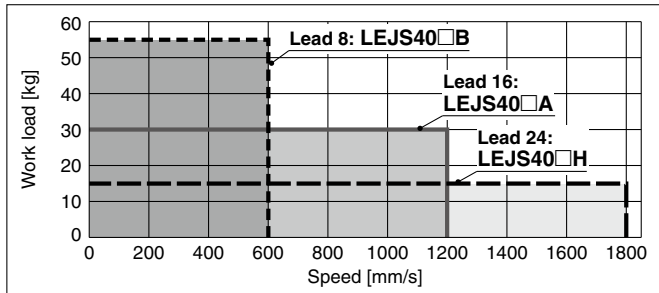
<Dynamic Allowable Moment>  
(LEJS63)

- \* The values shown below are allowable values of the actuator body. Do not use the actuator so that it exceeds these specification ranges.
- \* The allowable speed is restricted depending on the stroke. Select it by referring to the "Allowable Stroke Speed."

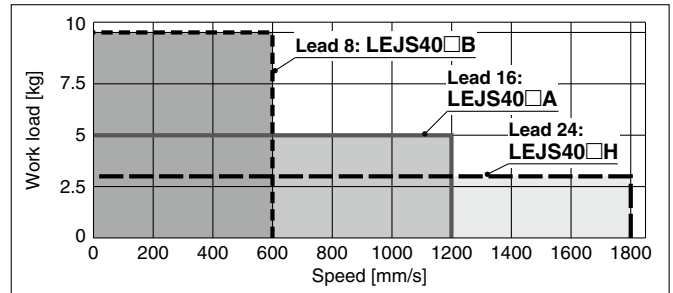
## Speed-Work Load Graph (Guide)

### LEJS40/Ball Screw Drive

#### Horizontal

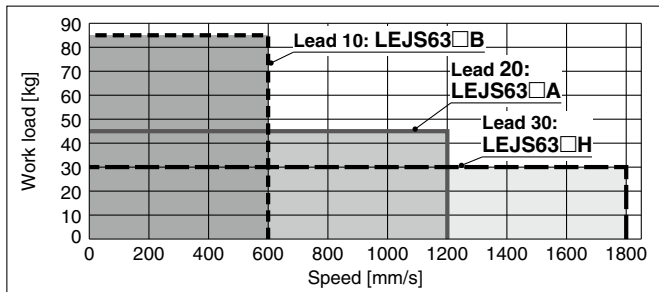


#### Vertical

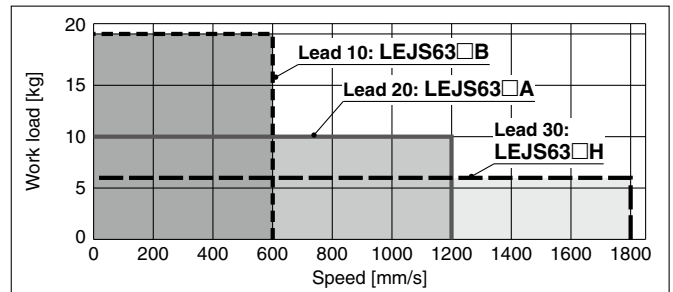


### LEJS63/Ball Screw Drive

#### Horizontal

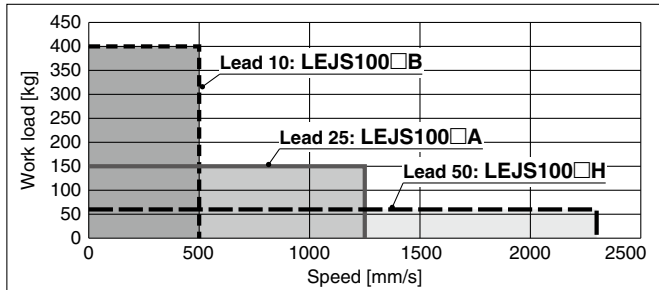


#### Vertical

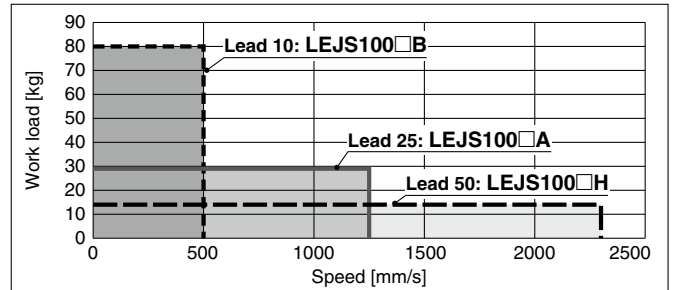


### LEJS100/Ball Screw Drive

#### Horizontal



#### Vertical



## Allowable Stroke Speed

[mm/s]

Model	Motor	Lead		Stroke [mm]																																
		Symbol	[mm]	Up to 200	Up to 300	Up to 400	Up to 500	Up to 600	Up to 700	Up to 800	Up to 900	Up to 1000	Up to 1100	Up to 1200	Up to 1300	Up to 1400	Up to 1500																			
LEJS40	100 W equivalent	H	24	1800			1580			1170			910			720			580			480			410			—			—			—		
		A	16	1200			1050			780			600			480			390			320			270			—			—			—		
		B	8	600			520			390			300			240			190			160			130			—			—			—		
		(Motor rotation speed)		(4500 rpm)			(3938 rpm)			(2925 rpm)			(2250 rpm)			(1800 rpm)			(1463 rpm)			(1200 rpm)			(1013 rpm)			—			—			—		
LEJS63	200 W equivalent	H	30	—			1800			1390			1110			900			750			630			540			470			410					
		A	20	—			1200			930			740			600			500			420			360			310			270					
		B	10	—			600			460			370			300			250			210			180			150			130					
		(Motor rotation speed)		—			(3600 rpm)			(2790 rpm)			(2220 rpm)			(1800 rpm)			(1500 rpm)			(1260 rpm)			(1080 rpm)			(930 rpm)			(810 rpm)					
LEJS100	750 W equivalent	H	50	—			2300			1900			1600			1400			1200			1000			900			900								
		A	25	—			1250			950			800			700			600			500			450			450								
		B	10	—			500			380			320			280			240			200			180			180								
		(Motor rotation speed)		—			(2760 rpm)			(2280 rpm)			(1920 rpm)			(1680 rpm)			(1440 rpm)			(1200 rpm)			(1080 rpm)			(1050 rpm)								

## Static Allowable Moment\*1

[N·m]

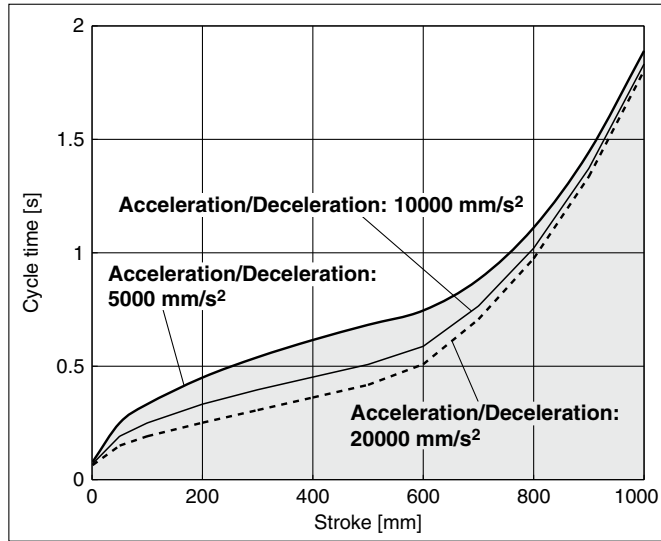
Model	Size	Pitching	Yawing	Rolling
LEJS	40	83.9	88.2	88.2
	63	121.5	135.1	135.1
	100	805	771	939

\*1 The static allowable moment is the amount of static moment which can be applied to the actuator when it is stopped. If the product is exposed to impact or repeated load, be sure to take adequate safety measures when using the product.

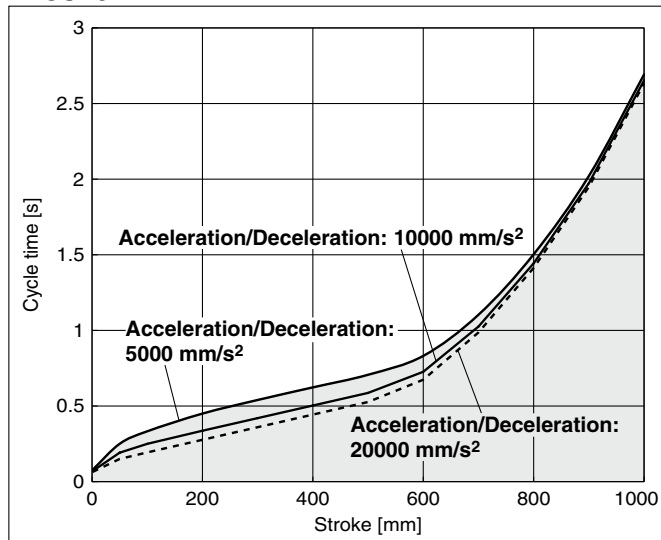
## Cycle Time Graph (Guide)

### LEJS40/Ball Screw Drive

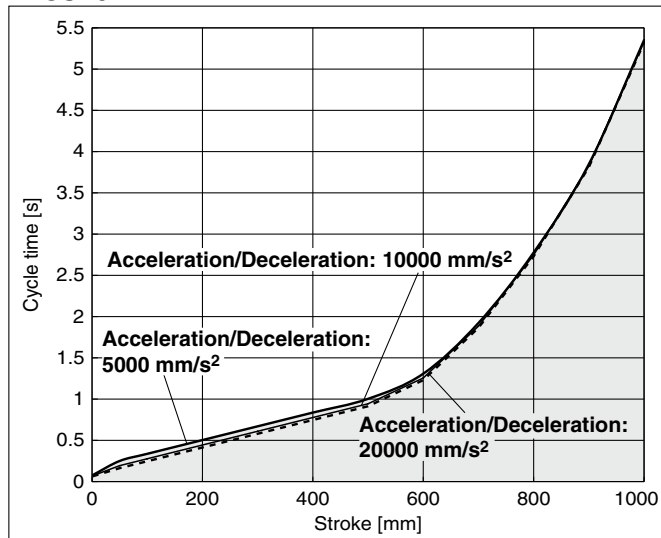
#### LEJS40□H



#### LEJS40□A

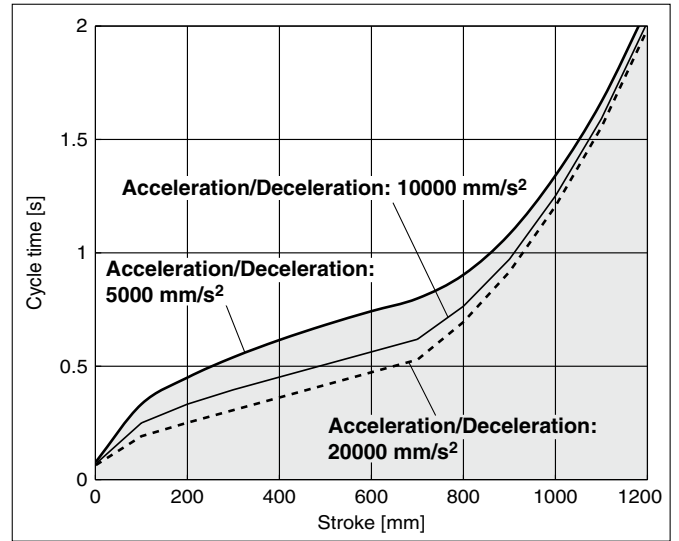


#### LEJS40□B

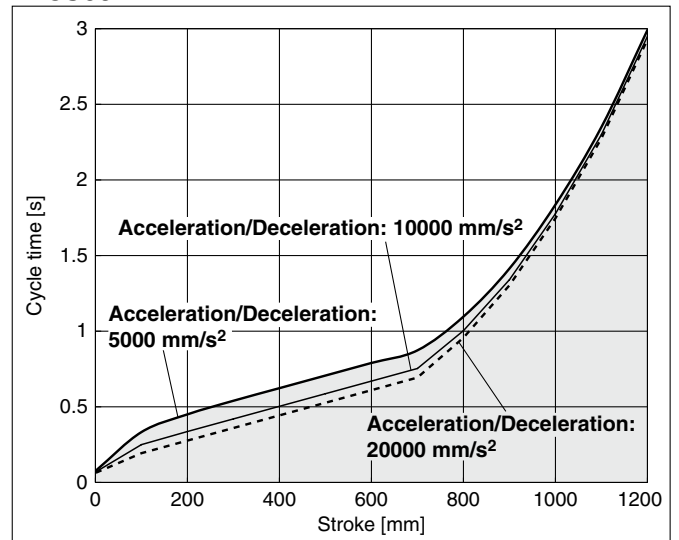


### LEJS63/Ball Screw Drive

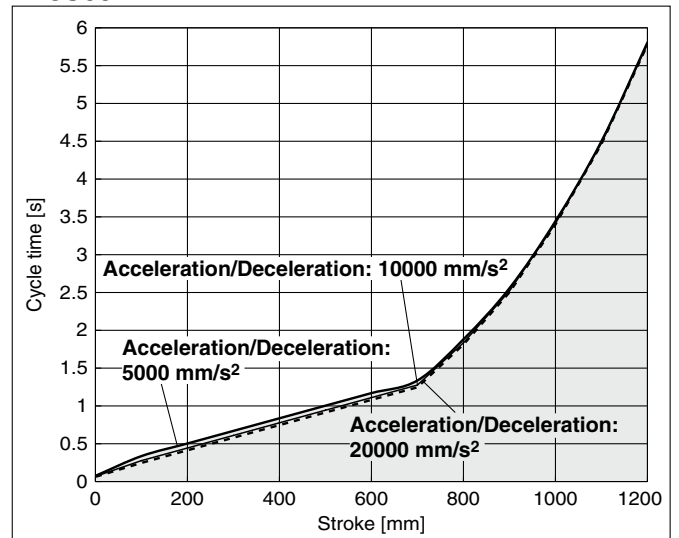
#### LEJS63□H



#### LEJS63□A



#### LEJS63□B



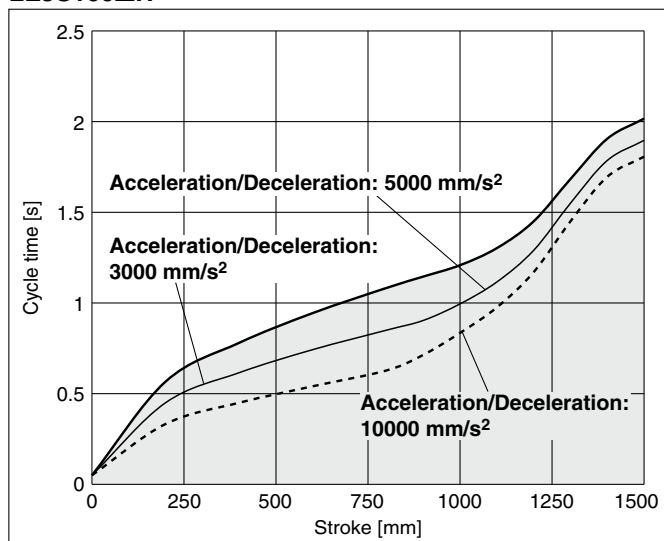
\* These graphs show the cycle time for each acceleration/deceleration.

\* These graphs show the cycle time for each stroke at the maximum speed.

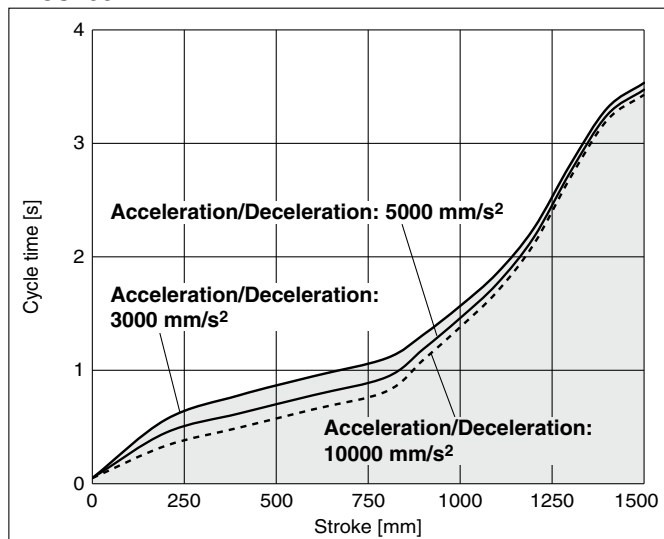
## Cycle Time Graph (Guide)

### LEJS100/Ball Screw Drive

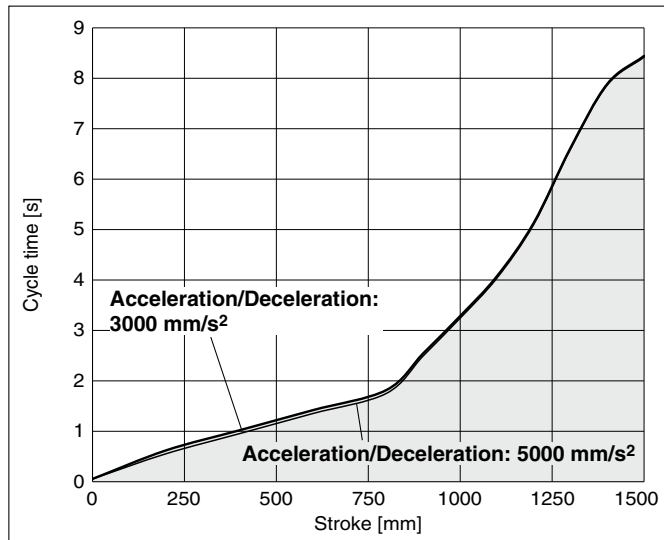
#### LEJS100□H



#### LEJS100□A



#### LEJS100□B



\* These graphs show the cycle time for each acceleration/deceleration.  
\* These graphs show the cycle time for each stroke at the maximum speed.

Model Selection

LEKFS

LEFS

LEFB

LEJS

LET-X11

LEY

LEYG

LESYH

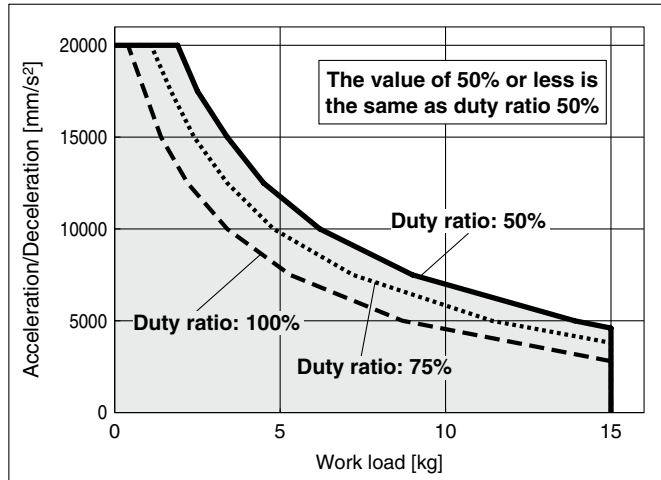
Motor Mounting



## Work Load–Acceleration/Deceleration Graph (Guide)

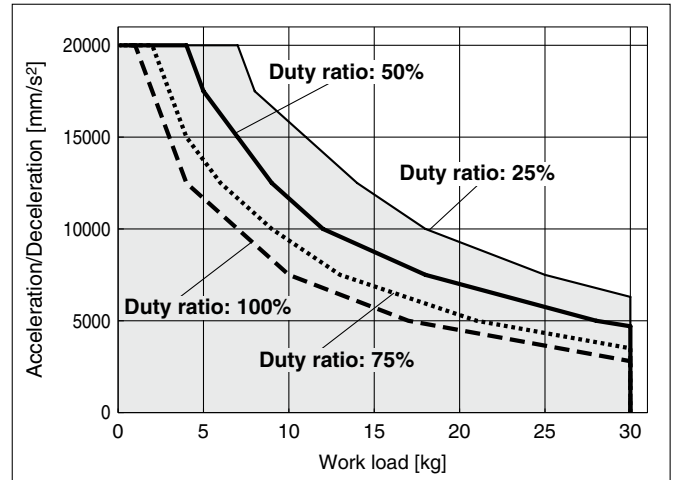
### LEJS40/Ball Screw Drive: Horizontal

#### LEJS40□H

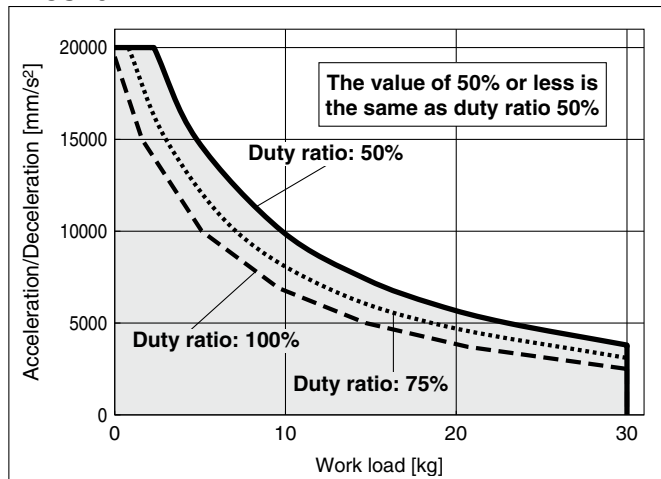


### LEJS63/Ball Screw Drive: Horizontal

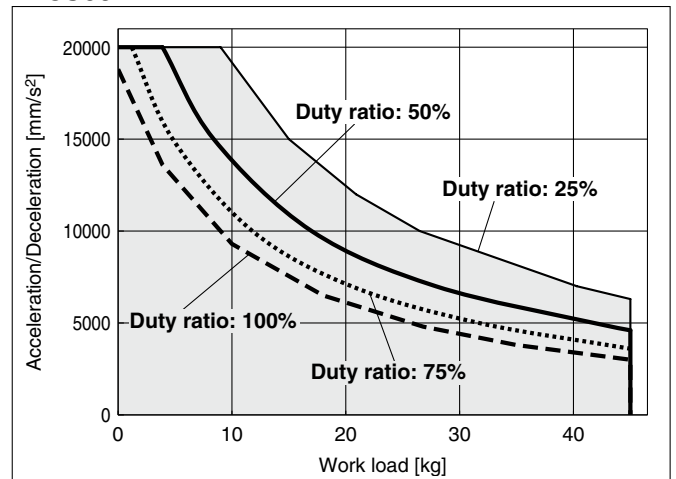
#### LEJS63□H



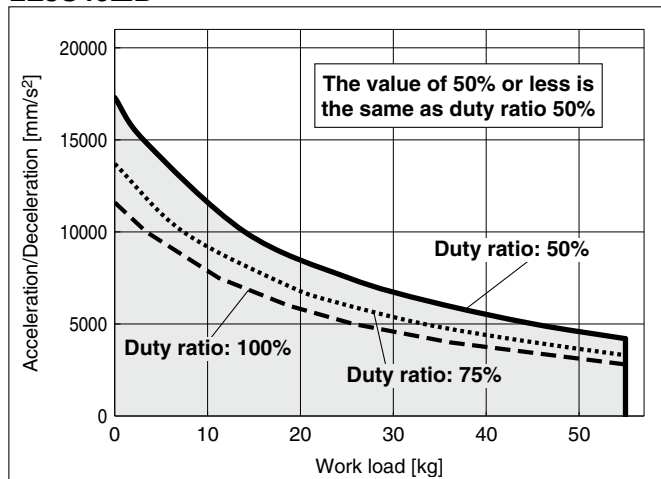
#### LEJS40□A



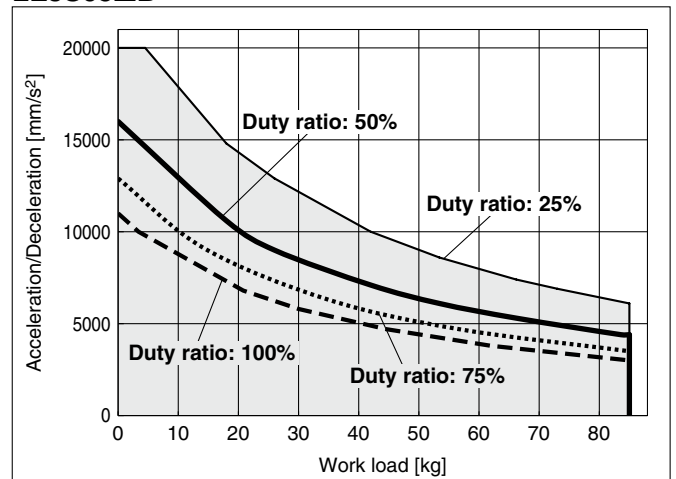
#### LEJS63□A



#### LEJS40□B



#### LEJS63□B

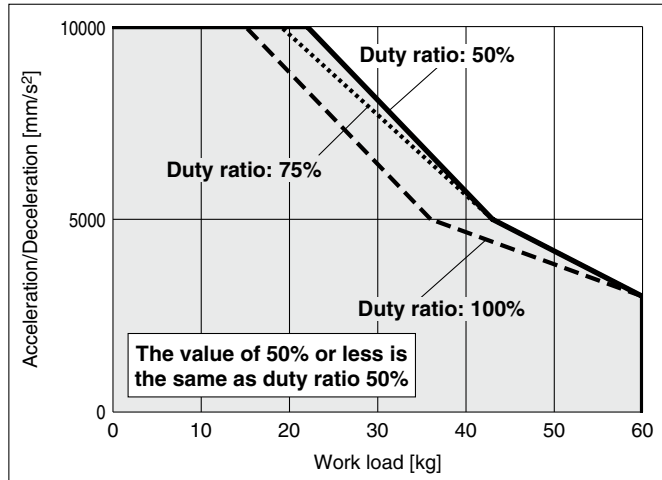


These graphs are examples of when the standard motor is mounted.  
Determine the duty ratio after taking into account the load factor of the motor or driver to be used.

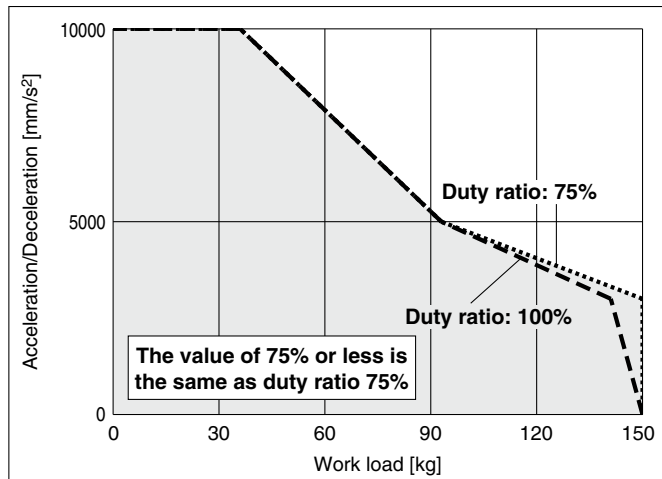
## Work Load–Acceleration/Deceleration Graph (Guide)

### LEJS100/Ball Screw Drive: Horizontal

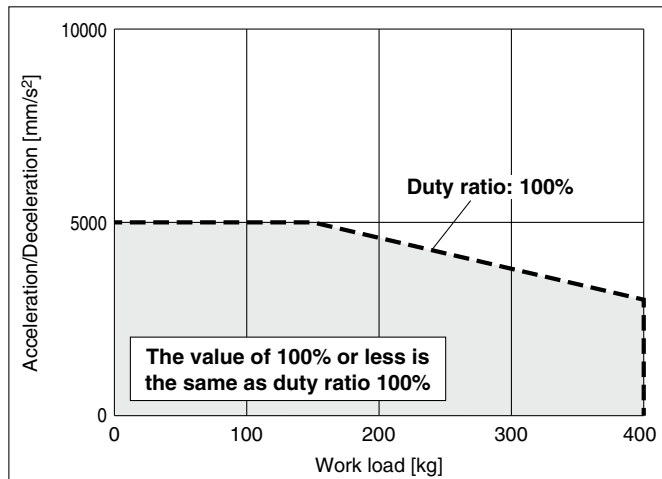
#### LEJS100□H



#### LEJS100□A



#### LEJS100□B



These graphs are examples of when the standard motor is mounted.  
Determine the duty ratio after taking into account the load factor of the motor or driver to be used.

Model Selection

LEKFS

LEFS

LEFB

LEJS

LET-X11

LEY

LEYG

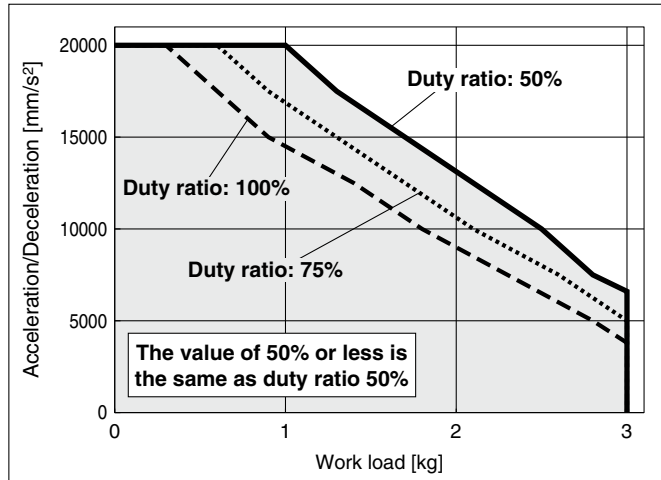
LESYH

Motor Mounting

## Work Load–Acceleration/Deceleration Graph (Guide)

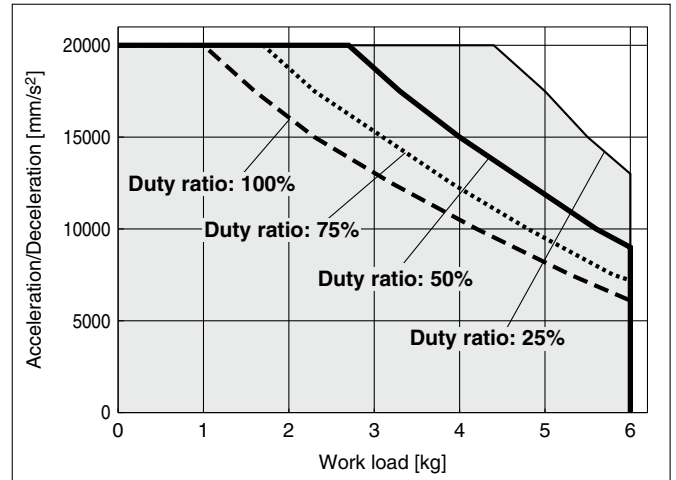
### LEJS40/Ball Screw Drive: Vertical

#### LEJS40□H

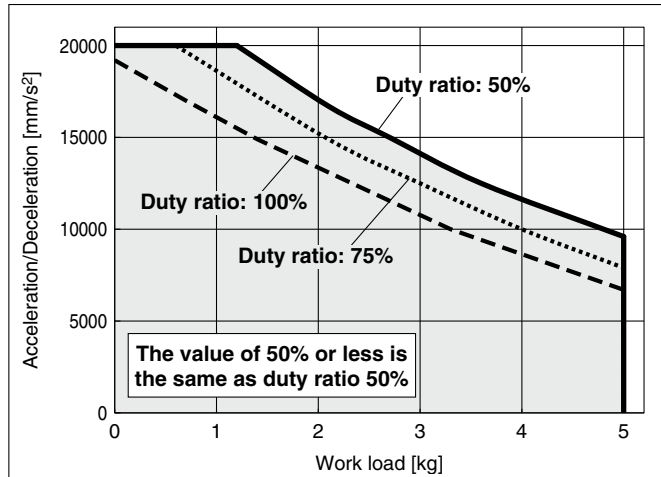


### LEJS63/Ball Screw Drive: Vertical

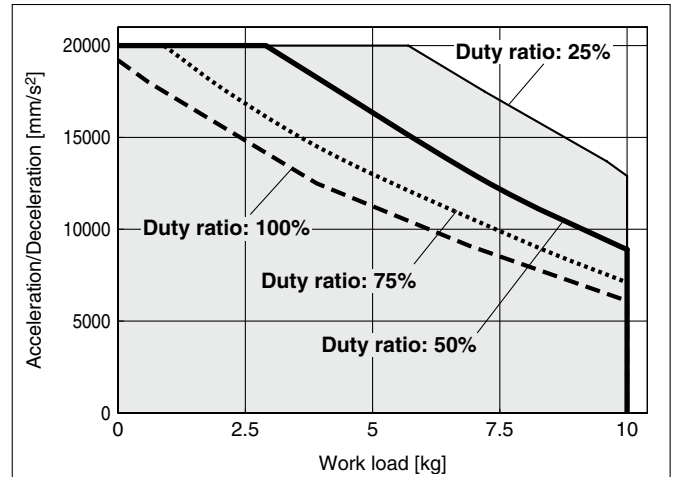
#### LEJS63□H



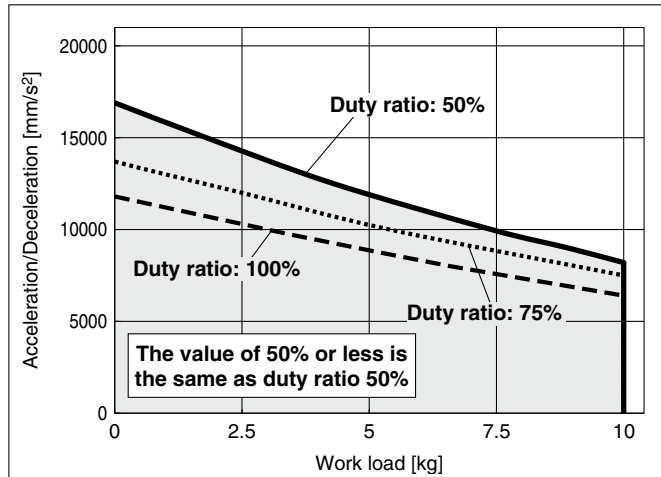
#### LEJS40□A



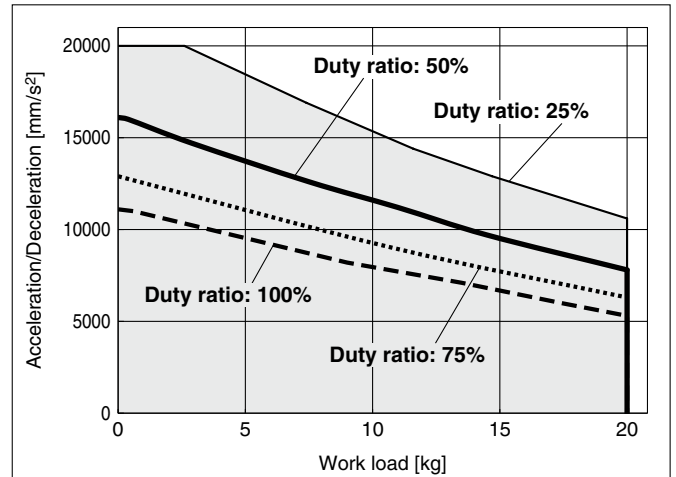
#### LEJS63□A



#### LEJS40□B



#### LEJS63□B

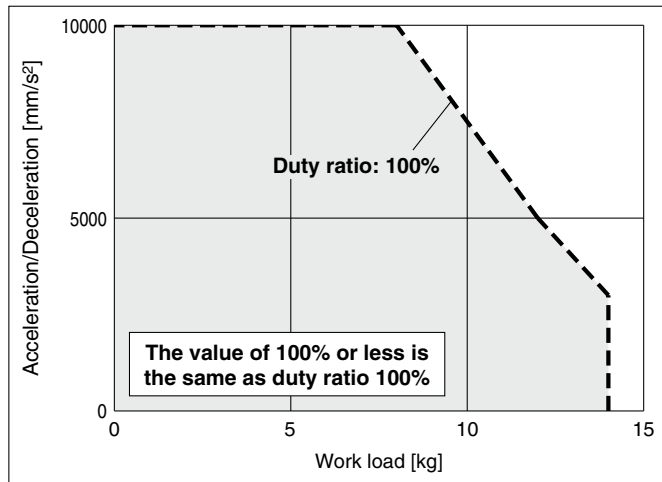


These graphs are examples of when the standard motor is mounted.  
Determine the duty ratio after taking into account the load factor of the motor or driver to be used.

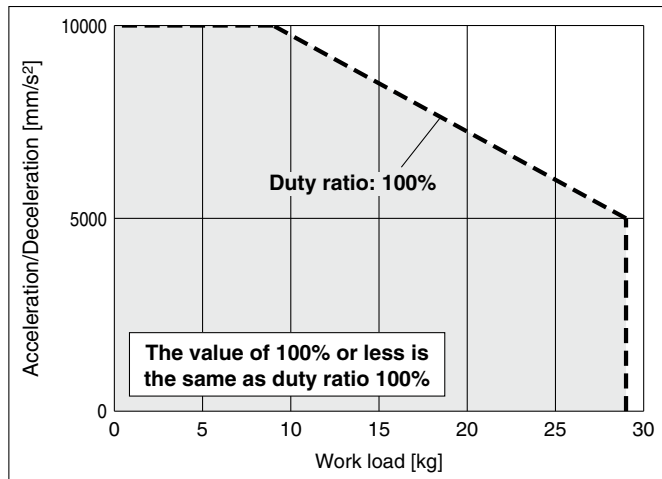
## Work Load–Acceleration/Deceleration Graph (Guide)

### LEJS100/Ball Screw Drive: Vertical

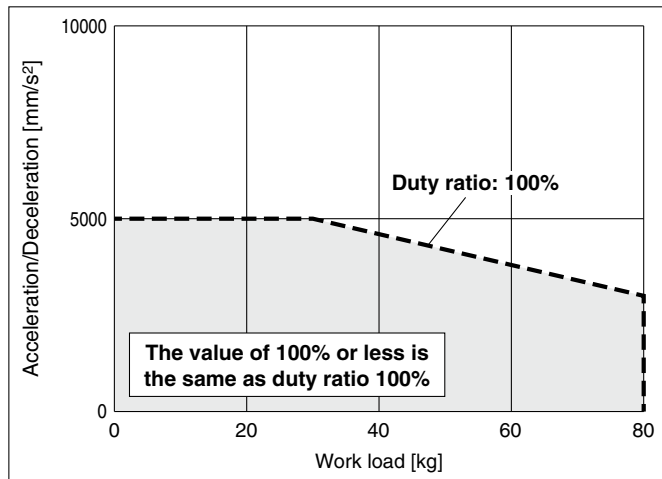
#### LEJS100□H



#### LEJS100□A



#### LEJS100□B



These graphs are examples of when the standard motor is mounted.  
Determine the duty ratio after taking into account the load factor of the motor or driver to be used.

Model Selection

LEKFS

LEFS

LEFB

LEJS

LET-X11

LEY

LEYG


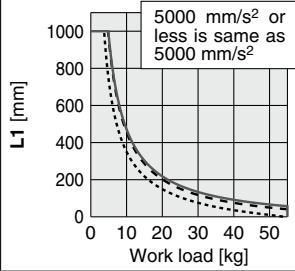
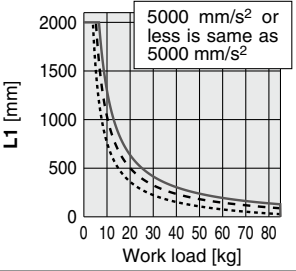
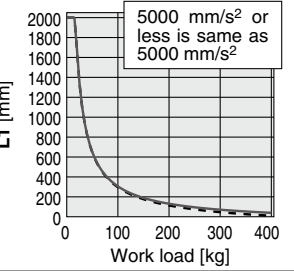
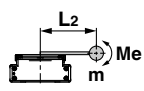
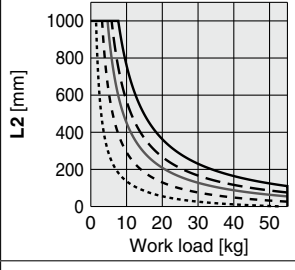
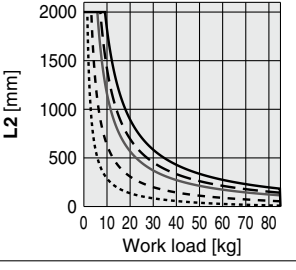
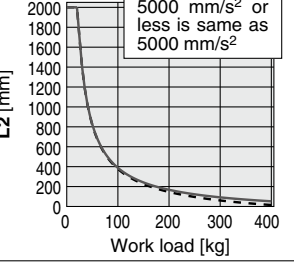

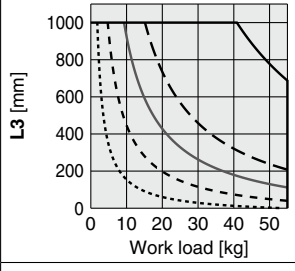
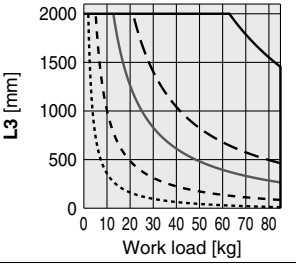
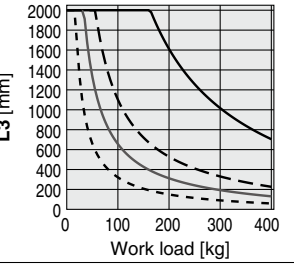

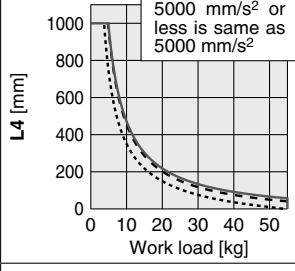
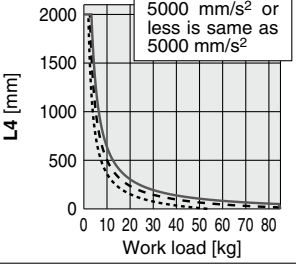
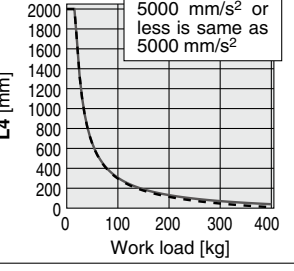
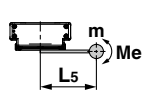
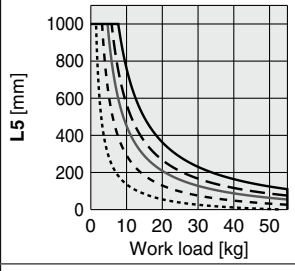
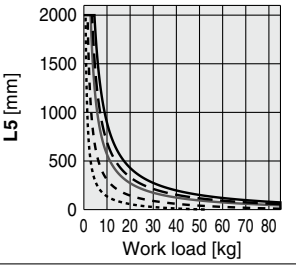
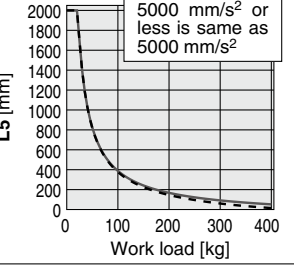
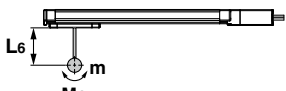
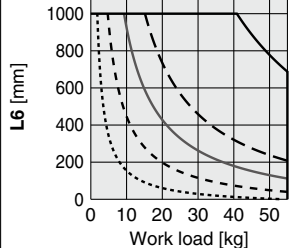
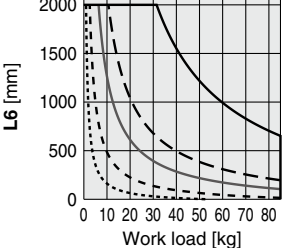
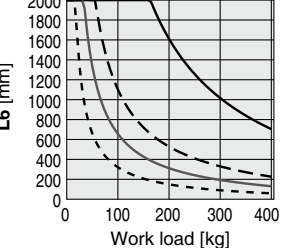
LESYH

Motor Mounting

\* These graphs show the amount of allowable overhang (guide unit) when the center of gravity of the work-piece overhangs in one direction. When selecting the overhang, refer to the "Calculation of Guide Load Factor" or the Electric Actuator Model Selection Software for confirmation: <https://www.smcworld.com>

## Dynamic Allowable Moment

Acceleration/Deceleration ——— 1000 mm/s<sup>2</sup>    - - - 3000 mm/s<sup>2</sup>    ——— 5000 mm/s<sup>2</sup>  
 - - - 10000 mm/s<sup>2</sup>    ······ 20000 mm/s<sup>2</sup>

Orientation	Load overhanging direction m : Work load [kg] Me: Allowable moment [N·m] L : Overhang to the work load center of gravity [mm]	Model		
		LEJS40	LEJS63	LEJS100
Horizontal	X 			
	Y 			
	Z 			
Bottom	X 			
	Y 			
	Z 			

\* These graphs show the amount of allowable overhang (guide unit) when the center of gravity of the work-piece overhangs in one direction. When selecting the overhang, refer to the "Calculation of Guide Load Factor" or the Electric Actuator Model Selection Software for confirmation: <https://www.smcworld.com>

## Dynamic Allowable Moment

**Acceleration/Deceleration**      ——— 1000 mm/s<sup>2</sup>      - - - 3000 mm/s<sup>2</sup>      ——— 5000 mm/s<sup>2</sup>  
 - - - 10000 mm/s<sup>2</sup>      ····· 20000 mm/s<sup>2</sup>

Orientation		Load overhanging direction	Model		
		$m$ : Work load [kg] $Me$ : Allowable moment [N·m] $L$ : Overhang to the work load center of gravity [mm]	<b>LEJS40</b>	<b>LEJS63</b>	<b>LEJS100</b>
Wall	X				
	Y				
	Z				
Vertical	Y				
	Z				

- Model Selection
- LEKFS
- LEFS
- LEFB
- LEJS
- LET-X11
- LEY
- LEYG
- LESYH
- Motor Mounting

## Calculation of Guide Load Factor

- Decide operating conditions.

Model: LEJS

Size: 40/63

Mounting orientation: Horizontal/Bottom/Wall/Vertical

Acceleration [ $\text{mm/s}^2$ ]: **a**

Work load [kg]: **m**

Work load center position [mm]: **Xc/Yc/Zc**

- Select the target graph while referencing the model, size, and mounting orientation.

- Based on the acceleration and work load, find the overhang [mm]: **Lx/Ly/Lz** from the graph.

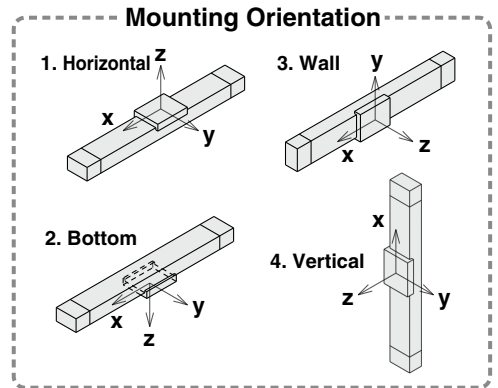
- Calculate the load factor for each direction.

$$\alpha_x = Xc/Lx, \alpha_y = Yc/Ly, \alpha_z = Zc/Lz$$

- Confirm the total of  $\alpha_x$ ,  $\alpha_y$ , and  $\alpha_z$  is 1 or less.

$$\alpha_x + \alpha_y + \alpha_z \leq 1$$

When 1 is exceeded, consider a reduction of acceleration and work load, or a change of the work load center position and series.



### Example

- Operating conditions

Model: LEJS

Size: 40

Mounting orientation: Horizontal

Acceleration [ $\text{mm/s}^2$ ]: 5000

Work load [kg]: 20

Work load center position [mm]: **Xc = 0, Yc = 50, Zc = 200**

- Select the graph on page 101, top and left side first row.

- Lx = 220 mm, Ly = 210 mm, Lz = 430 mm**

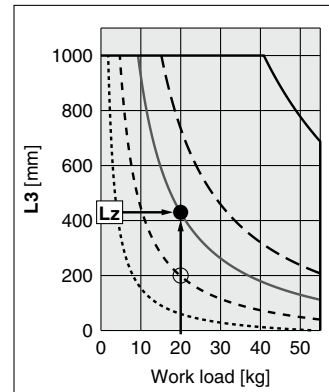
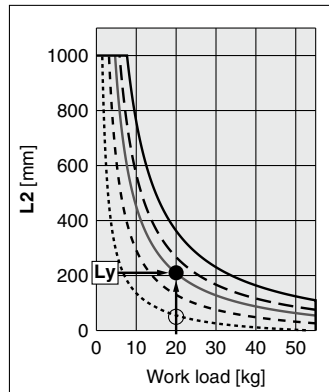
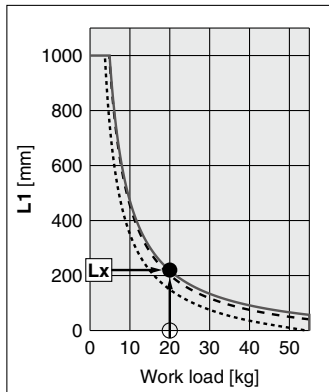
- The load factor for each direction can be found as follows.

$$\alpha_x = 0/220 = 0$$

$$\alpha_y = 50/210 = 0.24$$

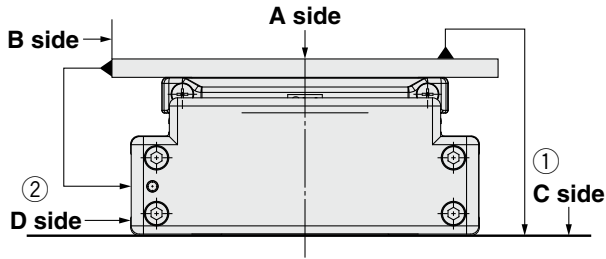
$$\alpha_z = 200/430 = 0.47$$

- $\alpha_x + \alpha_y + \alpha_z = 0.71 \leq 1$**





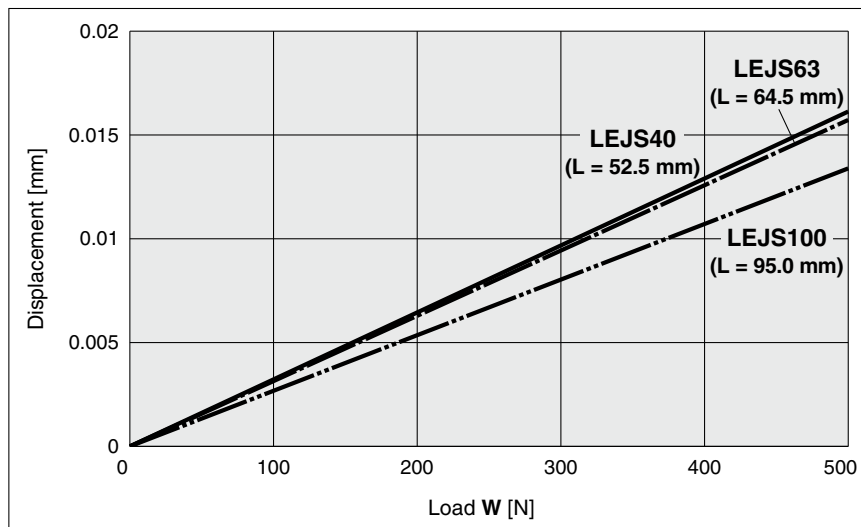
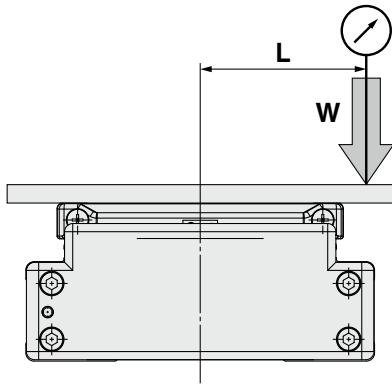
### Table Accuracy (Reference Value)



Model	Traveling parallelism [mm] (Every 300 mm)	
	① C side traveling parallelism to A side	② D side traveling parallelism to B side
LEJS40	0.05	0.03
LEJS63	0.05	0.03
LEJS100	0.05	0.04

\* Traveling parallelism does not include the mounting surface accuracy.

### Table Displacement (Reference Value)



\* This displacement is measured when a 15 mm aluminum plate is mounted and fixed on the table. (Table clearance is included.)

Model Selection

LEKFS

LEFS

LEFB

LEJS

LET-X11

LEY

LEYG

LESYH

Motor Mounting

# Electric Actuator/High Rigidity Slider Type Ball Screw Drive

## LEJS Series LEJS40, 63



LEJS-M Series ▶ p. 109

### How to Order

**LEJS H 40 NZ A - 500**

①      ②      ③      ④      ⑤

**① Accuracy**

Nil	Basic type
H	High-precision type

**② Size**

40
63

**③ Mounting type**

NZ
NY
NX
NW*1
NV*1
NU*1
NT*1

\*1 Size 63 only

**④ Lead [mm]**

Symbol	LEJS40	LEJS63
H	24	30
A	16	20
B	8	10

**⑤ Stroke [mm]**

200
to
1500

\* For details, refer to the table below.

**Applicable Stroke Table**

●: Standard

Model	Stroke [mm]	200	300	400	500	600	700	800	900	1000	1200	1500
LEJS40		●	●	●	●	●	●	●	●	●	●	—
LEJS63		—	●	●	●	●	●	●	●	●	●	●

\* Please contact SMC for non-standard strokes as they are produced as special orders.

For auto switches, refer to pages 116 to 120.

**Compatible Motors and Mounting Types\*2**

Applicable motor model		Size/Mounting type										
Manufacturer	Series	40			63							
		NZ	NY	NX	NZ	NY	NX	NW	NV	NU	NT	
Mitsubishi Electric Corporation	MELSERVO JN/J4/J5	●	—	—	●	—	—	—	—	—	—	—
YASKAWA Electric Corporation	Σ-V/7/X	●*1	—	—	●	—	—	—	—	—	—	—
SANYO DENKI CO., LTD.	SANMOTION R	●	—	—	●	—	—	—	—	—	—	—
OMRON Corporation	OMNUC G5/1S	●	—	—	—	●	—	—	—	—	—	—
Panasonic Corporation	MINAS A5/A6	● (MHMF only)	●	—	—	●	—	—	—	—	—	—
FANUC CORPORATION	βis (-B)	●	—	—	● (β1 only)	—	—	●	—	—	—	—
NIDEC SANKYO CORPORATION	S-FLAG	●	—	—	●	—	—	—	—	—	—	—
KEYENCE CORPORATION	SV/SV2	●*1	—	—	●	—	—	—	—	—	—	—
FUJI ELECTRIC CO., LTD.	ALPHA7	●	—	—	●	—	—	—	—	—	—	—
Rockwell Automation, Inc. (Allen-Bradley)	Kinetix MP/VP/TL	● (TL only)	—	—	—	—	● (MP/VP only)	—	—	—	—	● (TL only)
Beckhoff Automation GmbH	AM 30/31/80/81	●	—	—	—	—	● (80/81 only)	—	● (30 only)	● (31 only)	—	—
Siemens AG	SIMOTICS S-1FK7	—	—	●	—	—	●	—	—	—	—	—
Delta Electronics, Inc.	ASDA-A2	●	—	—	●	—	—	—	—	—	—	—
ANCA Motion	AMD2000	●	—	—	●	—	—	—	—	—	—	—

\*1 For some motors, the connector may protrude from the motor body. Be sure to check for interference with the mounting surface before selecting a motor.

\*2 The compatible motors and mounting types are typical examples. Select the mounting type after referring to the "Motor Mounting, Applicable Motor Dimensions" tables on the following "Dimensions" pages.

## Specifications

- Values in this specifications table are the allowable values of the actuator body with the standard motor mounted.
- Do not use the actuator so that it exceeds these values.

Model		LEJS40					LEJS63			
Stroke [mm]*1		200, 300, 400, 500, 600, 700, 800 900, 1000, 1200					300, 400, 500, 600, 700, 800, 900 1000, 1200, 1500			
Work load [kg]*2		Horizontal	15	30	55	30	45	85		
		Vertical	3	5	10	6	10	20		
Speed*3 [mm/s]	Stroke range	Up to 500	1800	1200	600	1800	1200	600		
		501 to 600	1580	1050	520					
		601 to 700	1170	780	390					
				701 to 800	910	600	300	1390	930	460
				801 to 900	720	480	240	1110	740	370
				901 to 1000	580	390	190	900	600	300
				1001 to 1100	480	320	160	750	500	250
				1101 to 1200	410	270	130	630	420	210
				1201 to 1300	—	—	—	540	360	180
				1301 to 1400	—	—	—	470	310	150
				1401 to 1500	—	—	—	410	270	130
Max. acceleration/deceleration [mm/s <sup>2</sup> ]		20000								
Positioning repeatability [mm]		Basic type	±0.02							
		High-precision type	±0.01							
Lost motion [mm]*4		Basic type	0.1 or less							
		High-precision type	0.05 or less							
Ball screw specifications		Thread size [mm]	ø12			ø15				
		Lead [mm]	24	16	8	30	20	10		
		Shaft length [mm]	Stroke + 118.5			Stroke + 126.5				
Impact/Vibration resistance [m/s <sup>2</sup> ]*5		50/20								
Actuation type		Ball screw								
Guide type		Linear guide								
Static allowable moment*6 [N·m]		Mep (Pitching)	83.9			121.5				
		Mey (Yawing)	88.2			135.1				
		Mer (Rolling)	88.2			135.1				
Operating temperature range [°C]		5 to 40								
Operating humidity range [%RH]		90 or less (No condensation)								
Enclosure		IP30 (Excludes motor mounting part)								
Other specifications*7		Actuation unit weight [kg]	0.86			1.37				
		Other inertia [kg·cm <sup>2</sup> ]	0.031			0.129				
		Friction coefficient	0.05							
		Mechanical efficiency	0.8							
Reference motor specifications*8		AC servo motor (100 V/200 V)								
		Rated output capacity [W]	100			200				
		Rated torque [N·m]	0.32			0.64				

- \*1 Please contact SMC for non-standard strokes as they are produced as special orders.
- \*2 Check the "Speed-Work Load Graph (Guide)" on page 94.
- \*3 The allowable speed changes according to the stroke.
- \*4 A reference value for correcting errors in reciprocal operation
- \*5 Impact resistance: No malfunction occurred when the actuator was tested with a drop tester in both an axial direction and a perpendicular direction to the lead screw. (The test was performed with the actuator in the initial state.)  
Vibration resistance: No malfunction occurred in a test ranging between 45 to 2000 Hz. The test was performed in both an axial direction and a perpendicular direction to the lead screw. (The test was performed with the actuator in the initial state.)
- \*6 The static allowable moment is the amount of static moment which can be applied to the actuator when it is stopped.  
If the product is exposed to impact or repeated load, be sure to take adequate safety measures when using the product.
- \*7 Each value is only to be used as a guide to select a motor of the appropriate capacity.
- \*8 For other specifications, refer to the specifications of the motor that is to be installed.
- \* Sensor magnet position is located in the table center.  
For detailed dimensions, refer to the "Auto Switch Mounting Position."
- \* Do not allow collisions at either end of the table traveling distance.  
Additionally, when running the positioning operation, do not set within 2 mm of both ends.
- \* Please contact SMC for the manufacture of intermediate strokes.  
(LEJS40/Manufacturable stroke range: 200 to 1200 mm, LEJS63/Manufacturable stroke range: 300 to 1500 mm)

## Weight

Model	LEJS40									
Stroke [mm]	200	300	400	500	600	700	800	900	1000	1200
Product weight [kg]	5.0	5.8	6.5	7.3	8.1	8.8	9.6	10.4	11.1	12.7

Model	LEJS63									
Stroke [mm]	300	400	500	600	700	800	900	1000	1200	1500
Product weight [kg]	10.4	11.7	12.9	14.2	15.4	16.7	17.9	19.1	21.6	25.4

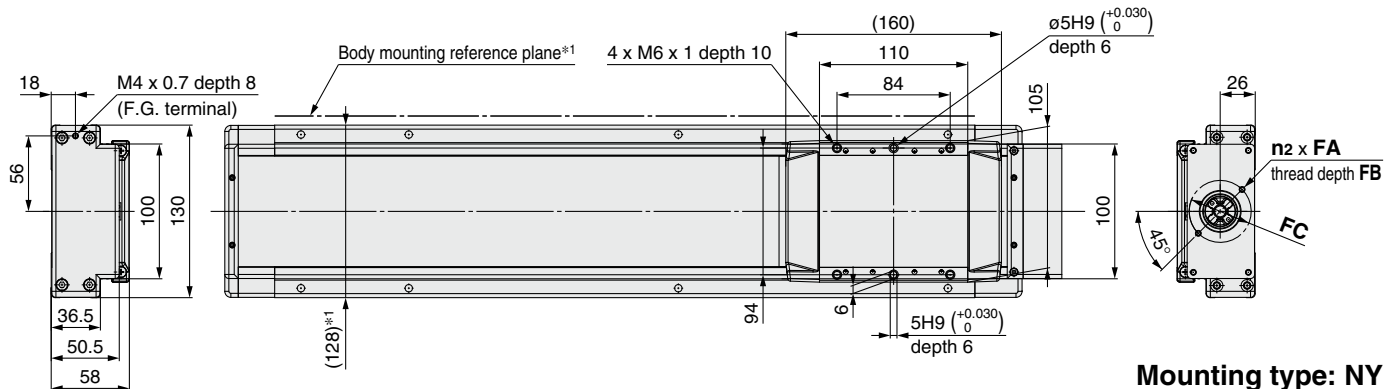
# LEJS Series

Motorless Type

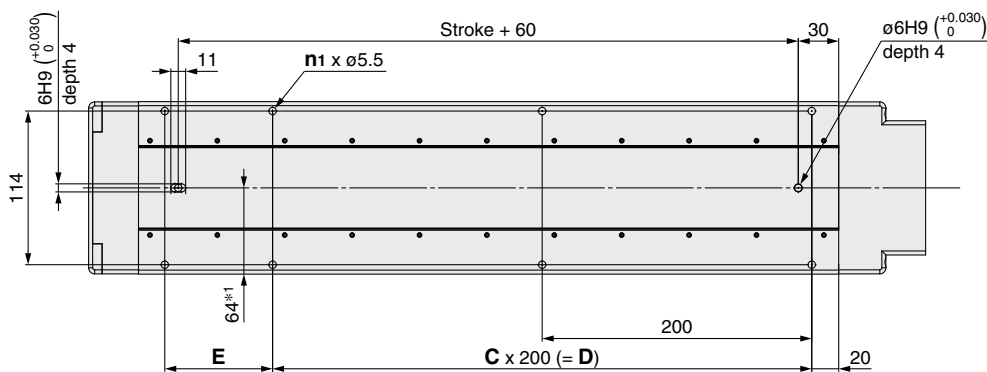
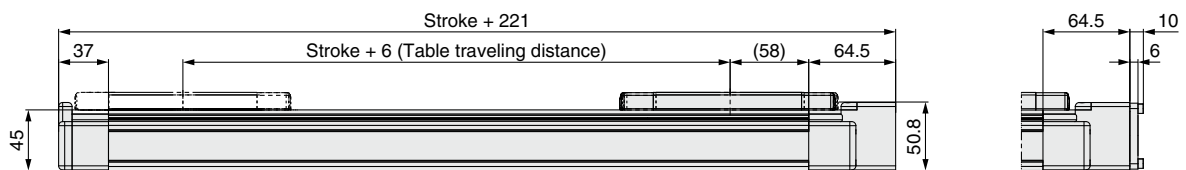
Refer to the "Motor Mounting" on page 113 for details about motor mounting and included parts.

## Dimensions: Ball Screw Drive

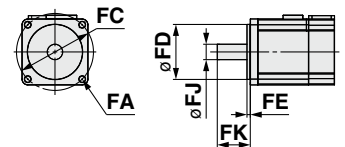
### LEJS40



Mounting type: NY  
LEJS40NY□-□



Applicable motor dimensions



\*1 When mounting the actuator using the body mounting reference plane, use a pin. Set the height of the pin to be 5 mm or more because of round chamfering. (Recommended height: 6 mm)

### Dimensions

Model	n1	C	D	E	[mm]
LEJS□40N□□-200	6	1	200	80	
LEJS□40N□□-300	6	1	200	180	
LEJS□40N□□-400	8	2	400	80	
LEJS□40N□□-500	8	2	400	180	
LEJS□40N□□-600	10	3	600	80	
LEJS□40N□□-700	10	3	600	180	
LEJS□40N□□-800	12	4	800	80	
LEJS□40N□□-900	12	4	800	180	
LEJS□40N□□-1000	14	5	1000	80	
LEJS□40N□□-1200	16	6	1200	80	

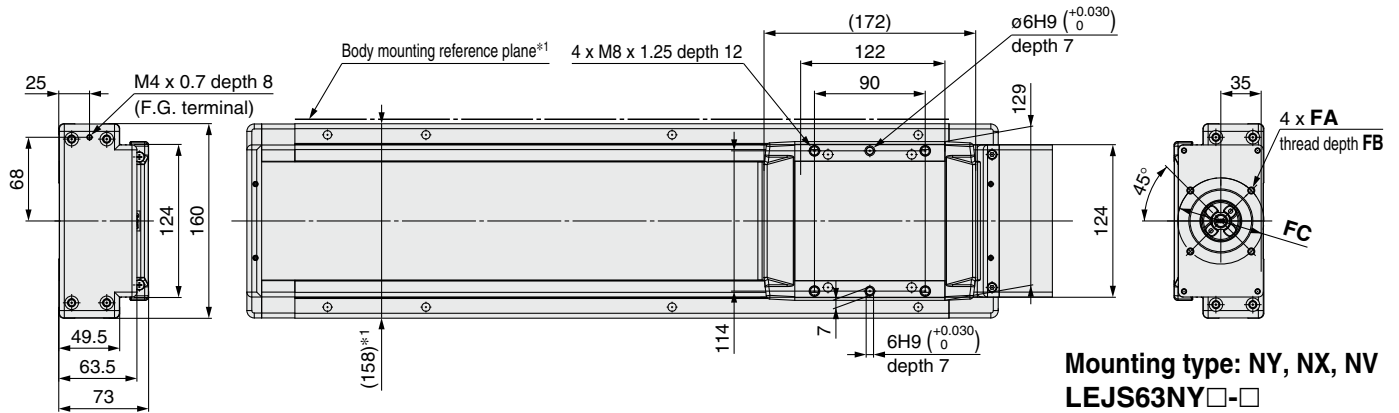
### Motor Mounting, Applicable Motor Dimensions

Mounting type	n2	FA		FB	FC	FD	FE (Max.)	FJ	FK	[mm]
		Mounting type	Applicable motor							
NZ	2	M4 x 0.7	ø4.5	7	ø46	30	3.5	8	25 ±1	
NY	4	M3 x 0.5	ø3.4	6	ø45	30	3.5	8	25 ±1	
NX	2	M4 x 0.7	ø4.5	7	ø46	30	3.5	8	18 ±1	

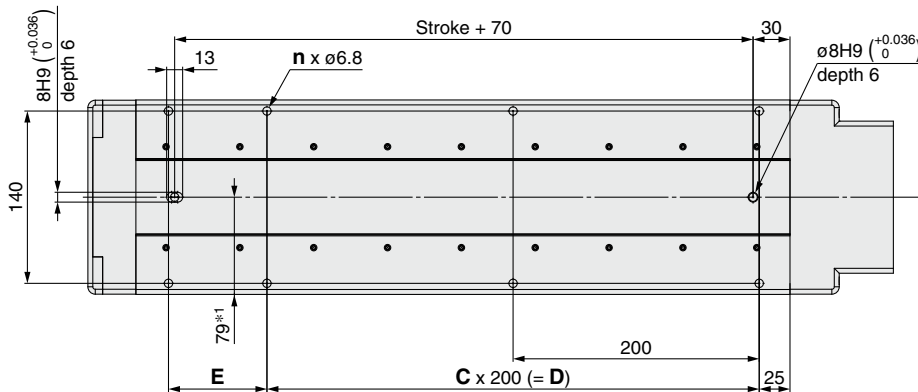
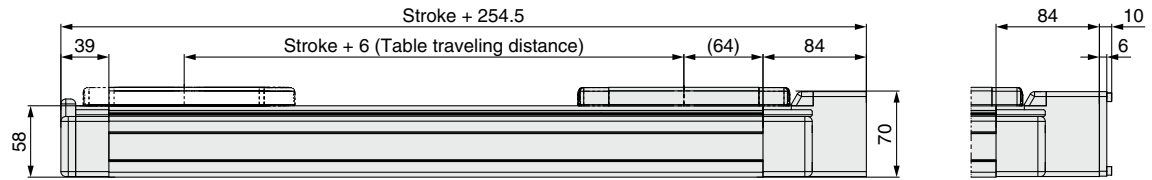
Refer to the "Motor Mounting" on page 113 for details about motor mounting and included parts.

**Dimensions: Ball Screw Drive**

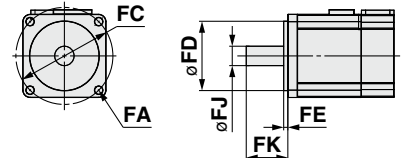
**LEJS63**



Mounting type: NY, NX, NV  
**LEJS63NY**□-□  
**LEJS63NX**□-□  
**LEJS63NV**□-□



**Applicable motor dimensions**



\*1 When mounting the actuator using the body mounting reference plane, use a pin. Set the height of the pin to be 5 mm or more because of round chamfering. (Recommended height: 6 mm)

Model	n	C	D	E
LEJS□63N□□-300	6	1	200	180
LEJS□63N□□-400	8	2	400	80
LEJS□63N□□-500	8	2	400	180
LEJS□63N□□-600	10	3	600	80
LEJS□63N□□-700	10	3	600	180
LEJS□63N□□-800	12	4	800	80
LEJS□63N□□-900	12	4	800	180
LEJS□63N□□-1000	14	5	1000	80
LEJS□63N□□-1200	16	6	1200	80
LEJS□63N□□-1500	18	7	1400	180

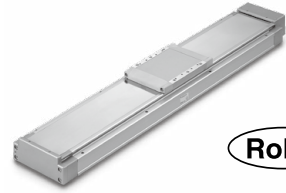
Mounting type	FA		FB	FC	FD	FE (Max.)	FJ	FK
	Mounting type	Applicable motor						
<b>NZ</b>	M5 x 0.8	ø5.8	7	ø70	50	3.3	14	30 ±1
<b>NY</b>	M4 x 0.7	ø4.5	6	ø70	50	3.3	11	30 ±1
<b>NX</b>	M5 x 0.8	ø5.8	6	ø63	40	3.5	9	20 ±1
<b>NW</b>	M5 x 0.8	ø5.8	7	ø70	50	3.3	9	25 ±1
<b>NV</b>	M4 x 0.7	ø4.5	6	ø63	40	3.5	9	20 ±1
<b>NU</b>	M5 x 0.8	ø5.8	7	ø70	50	3.3	11	23 ±1
<b>NT</b>	M5 x 0.8	ø5.8	7	ø70	50	3.3	12	30 ±1

**Built-in Intermediate Supports Type**

These specifications enable the maximum speed to be realized throughout the entire stroke.

# Electric Actuator/High Rigidity Slider Type Ball Screw Drive

## LEJS63□-□M Series



LEJS Series ▶ p. 105

### How to Order

LEJS **H** 63 **NZ** **A** - **790** **M**

①
②
③
④
⑤
⑥

**① Accuracy**

Nil	Basic type
H	High-precision type

**② Size**

63
----

**③ Mounting type**

NZ
NY
NX
NW
NV
NU
NT

**④ Lead [mm]**

H	30
A	20
B	10

**⑤ Stroke [mm]\*1**

●Standard ○Produced upon receipt of order

790	890	990	1190	1490	1790
●	●	○	○	○	○

\*1 Please contact SMC for non-standard strokes as they are produced as special orders.

**⑥ Built-in intermediate supports**

M	Built-in intermediate supports
---	--------------------------------

### Specifications

Lead [mm]		30	20	10	
Speed [mm/s]	Stroke range	790	1800	1200	600
		890			
		990			
		1190			
		1490			
		1790			

For the model selection method, refer to page 93. Specifications other than those listed are the same as the standard product. Refer to page 106 for details. For details on the construction, refer to the **Web Catalog**.

For auto switches, refer to pages 116 to 120.

### Compatible Motors and Mounting Types\*2

Applicable motor model		Size/Mounting type						
Manufacturer	Series	63						
		NZ	NY	NX	NW	NV	NU	NT
Mitsubishi Electric Corporation	MELSERVO JN/J4/J5	●	—	—	—	—	—	—
YASKAWA Electric Corporation	Σ-V/7/X	●*1	—	—	—	—	—	—
SANYO DENKI CO., LTD.	SANMOTION R	●	—	—	—	—	—	—
OMRON Corporation	OMNUC G5/1S	—	●	—	—	—	—	—
Panasonic Corporation	MINAS A5/A6	—	●	—	—	—	—	—
FANUC CORPORATION	βis (-B)	● (β1 only)	—	—	●	—	—	—
NIDEC SANKYO CORPORATION	S-FLAG	●	—	—	—	—	—	—
KEYENCE CORPORATION	SV/SV2	●*1	—	—	—	—	—	—
FUJI ELECTRIC CO., LTD.	ALPHA7	●	—	—	—	—	—	—
Rockwell Automation, Inc. (Allen-Bradley)	Kinetix MP/VP/TL	—	—	● (MP/VP only)	—	—	—	● (TL only)
Beckhoff Automation GmbH	AM 30/31/80/81	—	—	● (80/81 only)	—	● (30 only)	● (31 only)	—
Siemens AG	SIMOTICS S-1FK7	—	—	●	—	—	—	—
Delta Electronics, Inc.	ASDA-A2	●	—	—	—	—	—	—
ANCA Motion	AMD2000	●	—	—	—	—	—	—

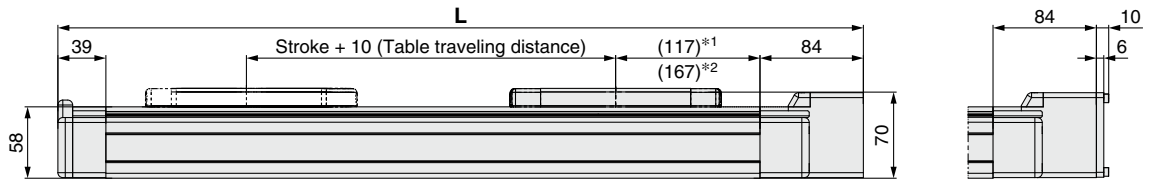
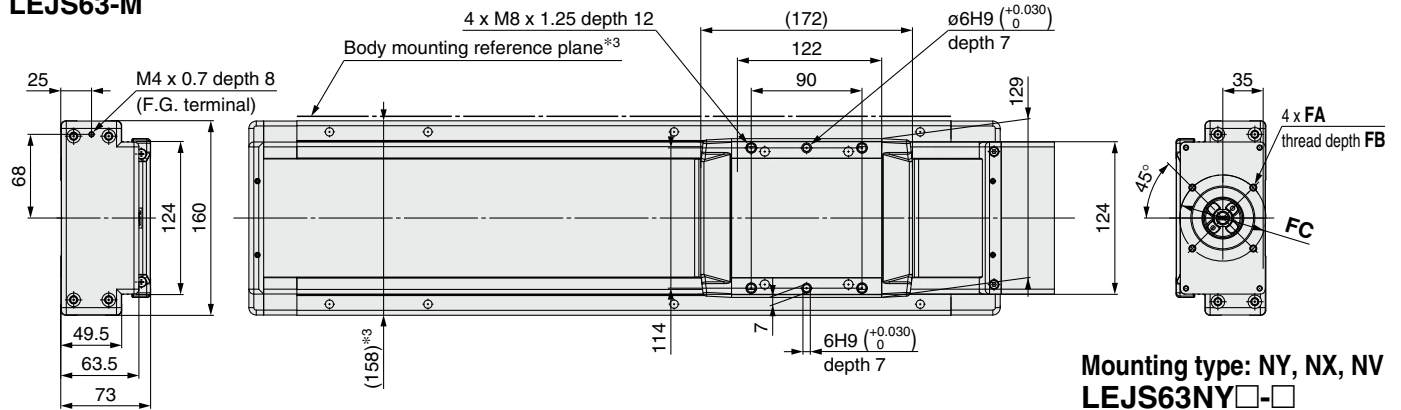
\*1 For some motors, the connector may protrude from the motor body. Be sure to check for interference with the mounting surface before selecting a motor.

\*2 The compatible motors and mounting types are typical examples. Select the mounting type after referring to the "Motor Mounting, Applicable Motor Dimensions" tables on the following "Dimensions" pages.

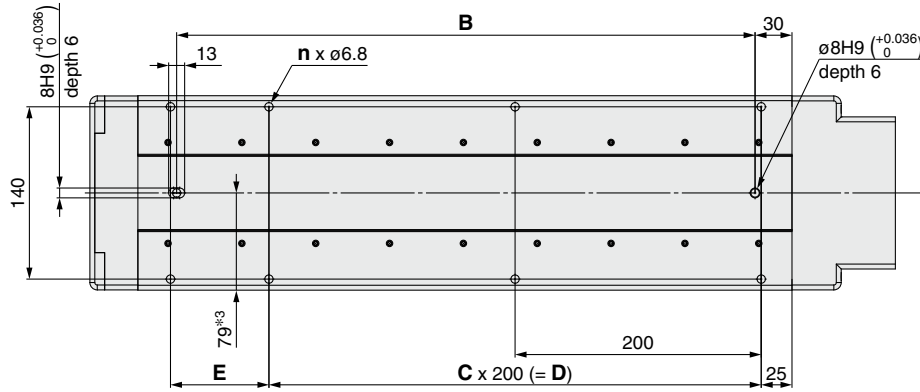
**Dimensions: Ball Screw Drive**

The motor mounting method and the included parts are the same as the standard product. Refer to page 113 for details.

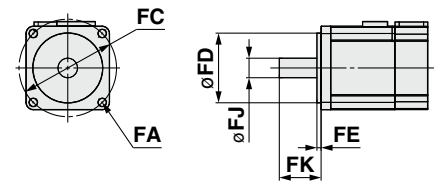
**LEJS63-M**



\*1 Upper dimension: 790 to 1190 mm stroke  
\*2 Lower dimension: 1490 to 1790 mm stroke



**Applicable motor dimensions**



\*3 When mounting the actuator using the body mounting reference plane, use a pin. Set the height of the pin to be 5 mm or more because of round chamfering. (Recommended height: 6 mm)

**Caution**

1. During operation, the intermediate support mechanism emits a collision noise due to the structure.
2. Compared to the standard product, the entire length of the product will be longer for each stroke. For details, refer to the dimensions.
3. The stopper type origin position return method cannot be used as the return to origin method (due to the bumper).

**Dimensions and Weight** [mm]

Model	L	B	n	C	D	E	Product weight [kg]
LEJS□63N□□-790M	1154.5	970	12	4	800	180	18.4
LEJS□63N□□-890M	1254.5	1070	14	5	1000	80	19.7
LEJS□63N□□-990M	1354.5	1170	14	5	1000	180	20.9
LEJS□63N□□-1190M	1554.5	1370	16	6	1200	180	23.4
LEJS□63N□□-1490M	1954.5	1770	20	8	1600	180	28.9
LEJS□63N□□-1790M	2254.5	2070	24	10	2000	80	32.7

**Motor Mounting, Applicable Motor Dimensions** [mm]

Mounting type	FA		FB	FC	FD	FE (Max.)	FJ	FK
	Mounting type	Applicable motor						
NZ	M5 x 0.8	ø5.8	7	ø70	50	3.3	14	30 ±1
NY	M4 x 0.7	ø4.5	6	ø70	50	3.3	11	30 ±1
NX	M5 x 0.8	ø5.8	6	ø63	40	3.5	9	20 ±1
NW	M5 x 0.8	ø5.8	7	ø70	50	3.3	9	25 ±1
NV	M4 x 0.7	ø4.5	6	ø63	40	3.5	9	20 ±1
NU	M5 x 0.8	ø5.8	7	ø70	50	3.3	11	23 ±1
NT	M5 x 0.8	ø5.8	7	ø70	50	3.3	12	30 ±1



Motorless Type

# Electric Actuator/High Rigidity Slider Type Ball Screw Drive LEJS100-X400



RoHS

## How to Order

LEJS100 N **B** - **500** T - X400

Motorless type • ①      ②      • With top cover type

### ① Lead [mm]

H	50
A	25
B	10

### ② Stroke [mm]

200	200
300	300
400	400
500	500
600	600
800	800
1000	1000
1200	1200
1500	1500

## Specifications

Stroke*1 [mm]		200, 300, 400, 500, 600, 800, 1000, 1200, 1500			
Lead [mm]		50		25	
Work load*2 [kg]	Horizontal	3000 [mm/s <sup>2</sup> ]	60	150	400
		5000 [mm/s <sup>2</sup> ]	43	93	150
		10000 [mm/s <sup>2</sup> ]	22	36	—
	Vertical	3000 [mm/s <sup>2</sup> ]	14	29	80
		5000 [mm/s <sup>2</sup> ]	12	29	30
		10000 [mm/s <sup>2</sup> ]	8	9	—
Max. speed*3 [mm/s]	Stroke range	200 to 800	2300	1250	500
		1000	1600	800	320
		1200	1200	600	240
		1500	900	450	180
Max. acceleration/deceleration [mm/s <sup>2</sup> ]		10000			
Positioning repeatability [mm]		±0.01			
Lost motion*4 [mm]		0.05 or less			
Ball screw specifications	Thread size [mm]	ø25			
	Shaft length [mm]	Stroke + 284.5			
Impact/Vibration resistance*5 [m/s <sup>2</sup> ]		50/20			
Actuation type		Ball screw			
Guide type		Linear guide			
Static allowable moment*6 [N·m]	Mep (Pitching)	805			
	Mey (Yawing)	771			
	Mer (Rolling)	939			
Operating temperature range [°C]		5 to 40			
Operating humidity range [%RH]		90 or less (No condensation)			
Enclosure		IP10 (Excludes motor mounting part)			
Other*7 specifications	Actuation unit weight [kg]	4.58			
	Other inertia [kg·cm <sup>2</sup> ]	0.43			
	Friction coefficient	0.05			
	Mechanical efficiency	0.8			
Reference motor specifications	Motor type	AC servo motor (200 VAC)			
	Rated output capacity [W]	750			
	Rated torque [N·m]	2.4			
	Rated rotation [rpm]	3000			

\*1 Strokes other than those listed in the table above are available as special orders. Please contact SMC for further details.

\*2 For details, refer to "Speed-Work Load Graph (Guide)" on page 94.

\*3 The allowable speed changes according to the stroke.

\*4 A reference value for correcting errors in reciprocal operation

\*5 Impact resistance: No malfunction occurred when the actuator was tested with a drop tester in both an axial direction and a perpendicular direction to the lead screw. (The test was performed with the actuator in the initial state.)

Vibration resistance: No malfunction occurred in a test ranging between 45 to 2000 Hz. The test was performed in both an axial direction and a perpendicular direction to the lead screw. (The test was performed with the actuator in the initial state.)

\*6 The static allowable moment is the amount of static moment which can be applied to the actuator when it is stopped. If the product is exposed to impact or repeated load, be sure to take adequate safety measures when using the product.

\*7 Each value is only to be used as a guide to select a motor of the appropriate capacity.

\* Values in this specifications table are the allowable values of the actuator body with the standard motor mounted. Do not use the actuator so that it exceeds these values.

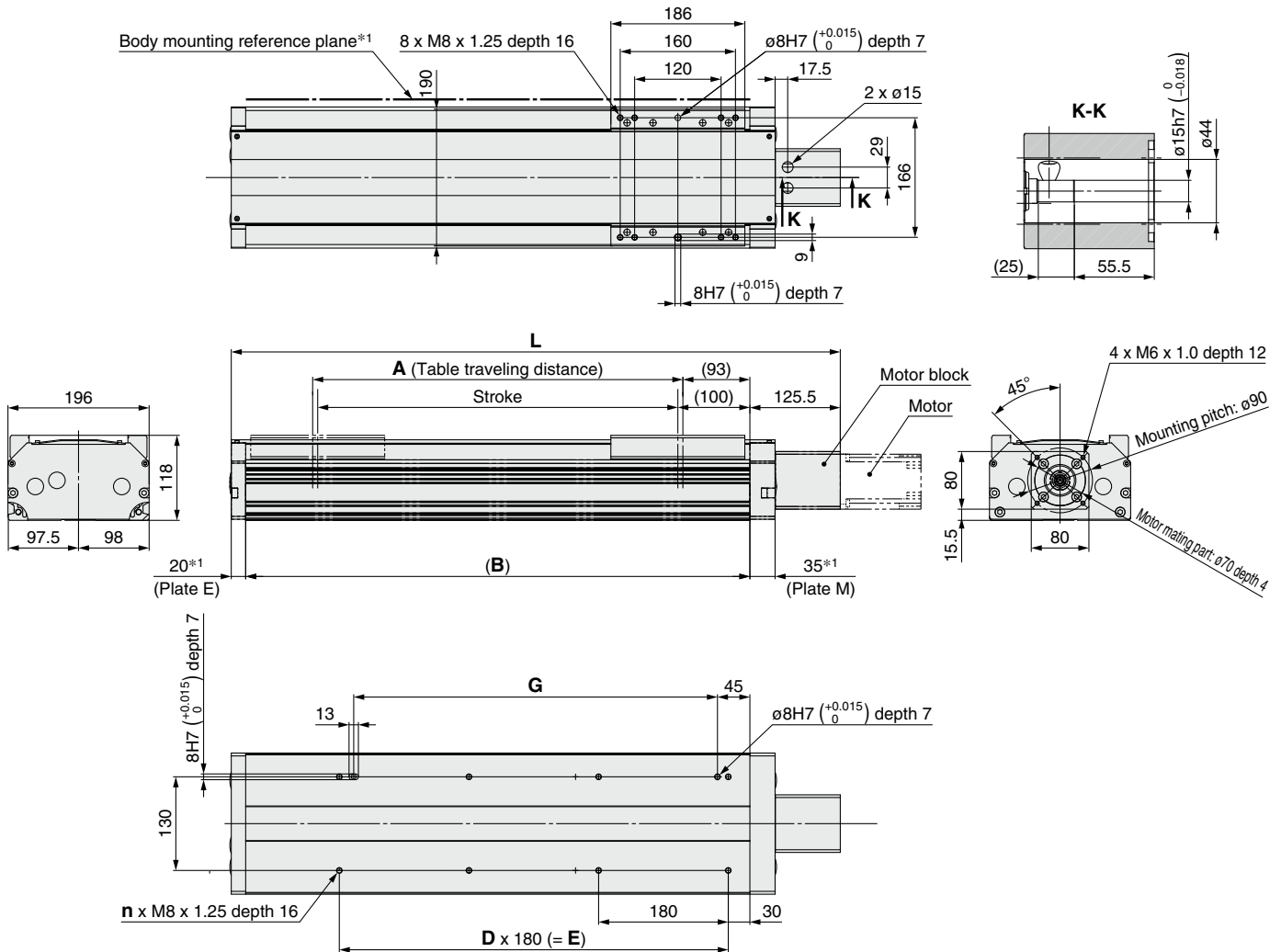
\* Before mounting the coupling, remove any dust, oil, etc., adhered to the shaft and the inner surface of the coupling.

\* This product does not come with a motor, motor mounting screws, or couplings. They should be prepared separately by the customer.

\* Take measures to prevent the loosening of the motor mounting screws.

\* Do not allow collisions at either end of the table traveling distance. Additionally, when running the positioning operation, do not set within 7 mm of both ends.

**Dimensions**



**Recommended coupling**

Manufacturer	Part no.
Nabeya Bi-tech Kaisha	MJT-40C-RD-15-19
Miki Pulley Co., Ltd	ALS-040-B-15B-19B
KTR Japan Co., Ltd.	ROTEX-GS19-98Sha-GS-2.5-ø15-2.5-ø19
SUNGIL Machinery Co., Ltd.	SJCB-40C-GR-15X19

\*1 When mounting the actuator using the body mounting reference plane, set the height of the opposite surface or pin to be 5 mm or more. (Recommended height: 6 mm)

The surfaces of plates M and E on the ends of the product may slightly protrude from the body mounting reference plane (Body/B dimension range). Be sure to provide a clearance of 1 mm or more to avoid interference.

**Dimensions and Weight**

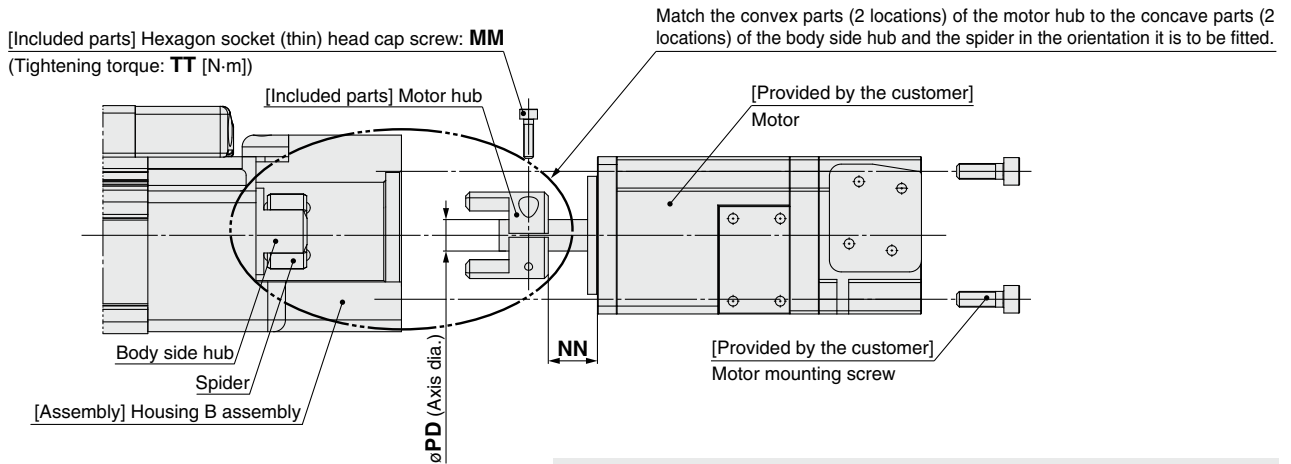
Stroke	L	A	B	n	D	E	G	Weight [kg]
200	545.5	214	400	6	2	360	325	17.6
300	645.5	314	500	6	2	360	325	19.7
400	745.5	414	600	8	3	540	505	21.8
500	845.5	514	700	8	3	540	505	23.9
600	945.5	614	800	10	4	720	685	26
800	1145.5	814	1000	12	5	900	865	30.2
1000	1345.5	1014	1200	14	6	1080	1045	34.3
1200	1545.5	1214	1400	16	7	1260	1225	38.5
1500	1845.5	1514	1700	20	9	1620	1585	44.8

# LEJS Series

Motorless Type

- When mounting a hub, remove all oil content, dust, and dirt adhered to the shaft and the inside of the hub.
- This product does not include the motor and motor mounting screws. (Provided by the customer)  
Prepare a motor with a round shaft end.
- Take measures to prevent the loosening of the motor mounting screws.

## Motor Mounting



### Mounting procedure

- 1) Secure the motor hub to the motor (provided by the customer) with the MM hexagon socket head cap screw.
- 2) Check the motor hub position, and then insert it.
- 3) Secure the motor to the housing B assembly with the motor mounting screws (provided by the customer).

### Dimensions

Size	Mounting type	MM	TT	NN	PD
40	NZ	M2.5 x 10	0.65	12.5	8
	NY	M2.5 x 10	0.65	12.5	8
	NX	M2.5 x 10	0.65	7	8
63	NZ	M3 x 12	1.5	18	14
	NY	M4 x 12	2.7	18	11
	NX	M4 x 12	2.7	8	9
	NW	M4 x 12	2.7	12	9
	NV	M4 x 12	2.7	8	9
	NU	M4 x 12	2.7	12	11
	NT	M3 x 12	1.5	18	12

### Included Parts List

#### Size: 40

Description	Quantity	Note
Motor hub	1	—
Hexagon socket head cap screw (to secure the hub)	1	M2.5 x 10: Mounting type "NZ," "NY," "NX"

#### Size: 63

Description	Quantity	Note
Motor hub	1	—
Hexagon socket head cap screw (to secure the hub)	1	M3 x 12: Mounting type "NZ," "NT"
Hexagon socket thin head cap screw (to secure the hub)		M4 x 12: Mounting type "NY," "NX," "NW," "NV," "NU"

# LEJS Series Motor Mounting Parts

## Motor Flange Option

As the mounting type "NZ" is selected for the model and this option is mounted, the mounting types that can be used are shown below.

## How to Order

LEJ-MF **63** D-**NY**

①

②

### ① Size

40	For LEJ40
63	For LEJ63

### ② Mounting type

NY
NX
NW
NV
NU
NT

\* Component parts vary depending on the mounting type. Refer to the "Component Parts" on page 115.

## Compatible Motors and Mounting Types\*2

Applicable motor model		Size/Mounting type									
Manufacturer	Series	40			63						
		NZ	NY	NX	NZ	NY	NX	NW	NV	NU	NT
Mitsubishi Electric Corporation	MELSERVO JN/J4/J5	●	—	—	●	—	—	—	—	—	—
YASKAWA Electric Corporation	$\Sigma$ -V/7/X	●*1	—	—	●	—	—	—	—	—	—
SANYO DENKI CO., LTD.	SANMOTION R	●	—	—	●	—	—	—	—	—	—
OMRON Corporation	OMNUC G5/1S	●	—	—	—	●	—	—	—	—	—
Panasonic Corporation	MINAS A5/A6	● (MHMF only)	●	—	—	●	—	—	—	—	—
FANUC CORPORATION	$\beta$ is (-B)	●	—	—	● ( $\beta$ 1 only)	—	—	●	—	—	—
NIDEC SANKYO CORPORATION	S-FLAG	●	—	—	●	—	—	—	—	—	—
KEYENCE CORPORATION	SV/SV2	●*1	—	—	●	—	—	—	—	—	—
FUJI ELECTRIC CO., LTD.	ALPHA7	●	—	—	●	—	—	—	—	—	—
Rockwell Automation, Inc. (Allen-Bradley)	Kinetix MP/VP/TL	● (TL only)	—	—	—	—	● (MP/VP only)	—	—	—	● (TL only)
Beckhoff Automation GmbH	AM 30/31/80/81	●	—	—	—	—	● (80/81 only)	—	● (30 only)	● (31 only)	—
Siemens AG	SIMOTICS S-1FK7	—	—	●	—	—	●	—	—	—	—
Delta Electronics, Inc.	ASDA-A2	●	—	—	●	—	—	—	—	—	—
ANCA Motion	AMD2000	●	—	—	●	—	—	—	—	—	—

\*1 For some motors, the connector may protrude from the motor body. Be sure to check for interference with the mounting surface before selecting a motor.

\*2 The compatible motors and mounting types are typical examples. Select the mounting type after referring to the "Motor Mounting, Applicable Motor Dimensions" tables on the following actuator body "Dimensions" pages.

Model Selection

LEKFS

LEFS

LEFB

LEJS

LET-X11

LEY

LEYG

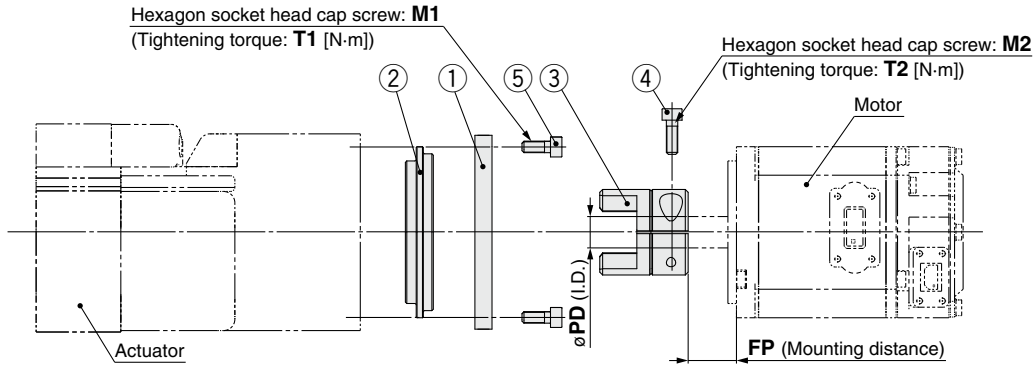
LESYH

Motor Mounting

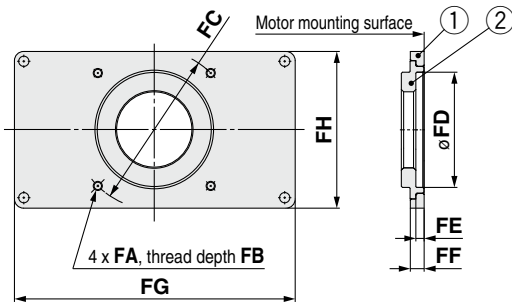
# LEJS Series

Motorless Type

## Dimensions: Motor Flange Option



### Motor plate details



### Dimensions

Size	Mounting type	FA	FB	FC	FD	FE	FF	FG	FH	M1	T1	M2	T2	PD	FP
40	NY	M3 x 0.5	6	$\phi 45$	30	3.5	6	99	49	M4 x 12	2.7	M2.5 x 10	0.65	8	12.5
	NX	—	—	—	—	—	—	—	—	—	—	M2.5 x 10	0.65	8	7
63	NY	M4 x 0.7	6	$\phi 70$	50	3.5	6	123	68	M4 x 12	2.7	M4 x 12	2.7	11	18
	NX	M5 x 0.8	6	$\phi 63$	40	3.5	6	123	68	M4 x 12	2.7	M4 x 12	2.7	9	8
	NW	—	—	—	—	—	—	—	—	—	—	M4 x 12	2.7	9	12
	NV	M4 x 0.7	6	$\phi 63$	40	3.5	6	123	68	M4 x 12	2.7	M4 x 12	2.7	9	8
	NU	—	—	—	—	—	—	—	—	—	—	M4 x 12	2.7	11	12
	NT	—	—	—	—	—	—	—	—	—	—	M3 x 12	1.5	12	18

### Component Parts

#### Size: 40

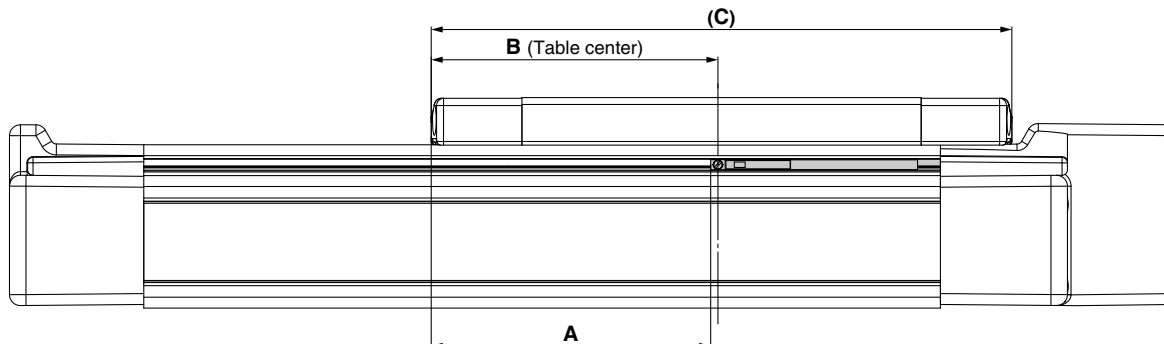
No.	Description	Quantity	
		Mounting type	
		NY	NX
1	Motor plate	1	—
2	Ring	1	—
3	Hub (Motor side)	1	1
4	Hexagon socket thin head cap screw	1	1
5	Hexagon socket head cap screw	4	—

#### Size: 63

No.	Description	Quantity					
		Mounting type					
		NY	NX	NW	NV	NU	NT
1	Motor plate	1	1	—	1	—	—
2	Ring	1	1	—	1	—	—
3	Hub (Motor side)	1	1	1	1	1	1
4	Hexagon socket thin head cap screw	1	1	1	1	1	1
5	Hexagon socket head cap screw	4	4	—	4	—	—

# LEJS40, 63 Series Auto Switch Mounting

## Auto Switch Mounting Position



[mm]					
Model	Size	A	B	C	Operating range
LEJS	40	77	80	160	5.5
	63	83	86	172	7.0

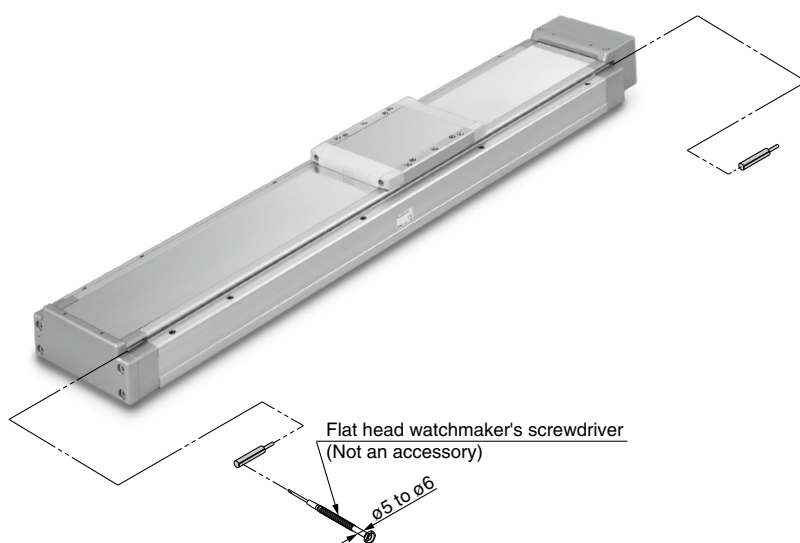
\* Since the operating range is provided as a guideline including hysteresis, it cannot be guaranteed (assuming approximately  $\pm 30\%$  dispersion). It may change substantially depending on the ambient environment.

## Auto Switch Mounting

When mounting the auto switches, they should be inserted into the actuator's auto switch mounting groove as shown in the drawing below. After setting in the mounting position, use a flat head watchmaker's screwdriver to tighten the auto switch mounting screw that is included.

### Auto Switch Mounting Screw Tightening Torque

Auto switch model	Tightening torque [N·m]
D-M9□(V) D-M9□W(V)	0.10 to 0.15



\* When tightening the auto switch mounting screw (included with the auto switch), use a watchmaker's screwdriver with a handle diameter of about 5 to 6 mm.

Model  
Selection

LEKFS

LEFS

LEFB

LEJS

LET-X11

LEY

LEYG

LESYH

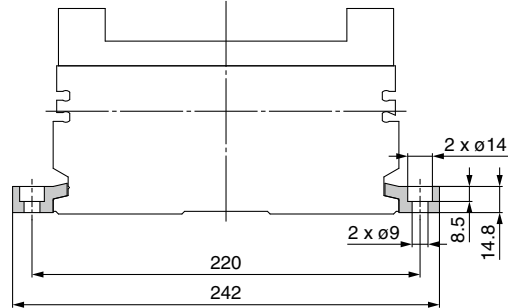
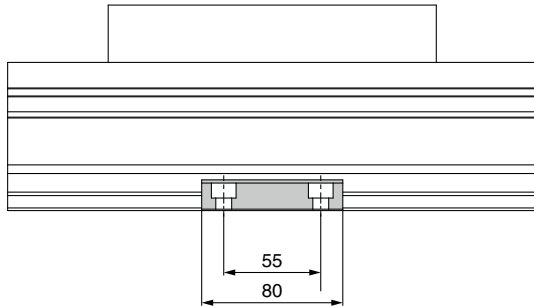
Motor  
Mounting

# LEJS100-X400

# Side Supports/Auto Switch Mounting

## Side Supports

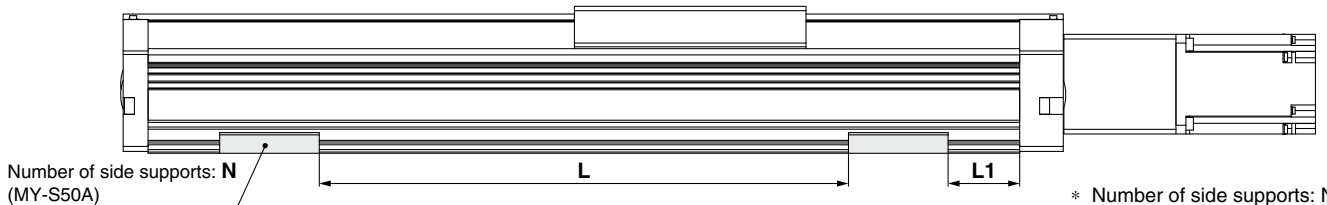
Side supports: MY-S50A



\* The side supports consist of a set of right and left brackets.

## Usage Guide for Side Supports

When mounting with the side supports, be sure to use the number of side supports (N) and the support spacing (L1) shown in the figure and table below as a guide.



\* Number of side supports: N is the combined number of left and right supports.

Stroke	N (Qty.)	L1 [mm]	Screw size	Max. tightening torque [N·m]
200	6	15	M8 x 1.25	12.5
300	6			
400	6			
500	6			
600	8			
800	8			
1000	10			
1200	10			
1500	14			

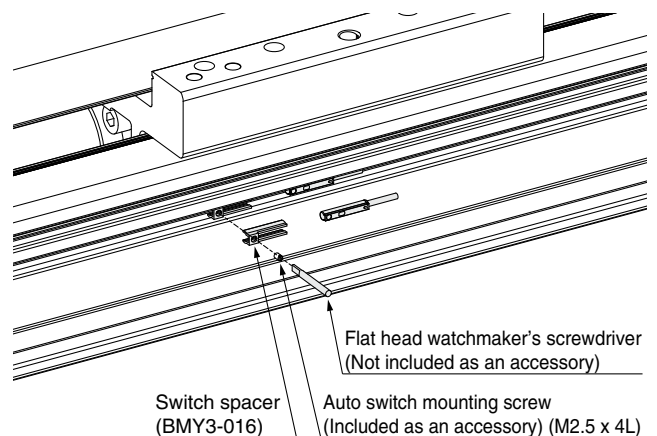
- Secure the side supports using the support spacing (L) in the table above.
- When mounting with the side supports, use in combination with the pin on the bottom of the body.
- For vertical or bottom mounting, please refrain from using only the side supports.

## Auto Switch Mounting

When mounting an auto switch, first, hold a switch spacer between your fingers and press it into the slot. When doing this, confirm that it is set in the correct mounting orientation, or reinsert it if necessary. Next, insert the auto switch into the slot and slide it until it is positioned under the switch spacer. After confirming the mounting position, use a flat head watchmaker's screwdriver to tighten the included auto switch mounting screw.

### Auto Switch Mounting Screw Tightening Torque

Auto switch model	Tightening torque
D-M9□(V)	0.10 to 0.15
D-M9□W(V)	





# Solid State Auto Switch Direct Mounting Type D-M9N(V)/D-M9P(V)/D-M9B(V)



Refer to the SMC website for details on products that are compliant with international standards.

PLC: Programmable Logic Controller

## Grommet

- 2-wire load current is reduced (2.5 to 40 mA).
- Using flexible cable as standard spec.



## Caution

### Precautions

Fix the auto switch with the existing screw installed on the auto switch body. The auto switch may be damaged if a screw other than the one supplied is used.

## Auto Switch Specifications

D-M9□, D-M9□V (With indicator light)						
Auto switch model	D-M9N	D-M9NV	D-M9P	D-M9PV	D-M9B	D-M9BV
Electrical entry direction	In-line	Perpendicular	In-line	Perpendicular	In-line	Perpendicular
Wiring type	3-wire				2-wire	
Output type	NPN		PNP		—	
Applicable load	IC circuit, Relay, PLC				24 VDC relay, PLC	
Power supply voltage	5, 12, 24 VDC (4.5 to 28 V)				—	
Current consumption	10 mA or less				—	
Load voltage	28 VDC or less		—		24 VDC (10 to 28 VDC)	
Load current	40 mA or less				2.5 to 40 mA	
Internal voltage drop	0.8 V or less at 10 mA (2 V or less at 40 mA)				4 V or less	
Leakage current	100 μA or less at 24 VDC				0.8 mA or less	
Indicator light	Red LED illuminates when turned ON.					
Standards	CE/UKCA marking					

## Oilproof Flexible Heavy-duty Lead Wire Specifications

Auto switch model		D-M9N(V)	D-M9P(V)	D-M9B(V)
Sheath	Outside diameter [mm]	ø2.6		
Insulator	Number of cores	3 cores (Brown/Blue/Black)		2 cores (Brown/Blue)
	Outside diameter [mm]	ø0.88		
Conductor	Effective area [mm <sup>2</sup> ]	0.15		
	Strand diameter [mm]	ø0.05		
Min. bending radius [mm] (Reference values)		17		

\* Refer to the **Web Catalog** for solid state auto switch common specifications.

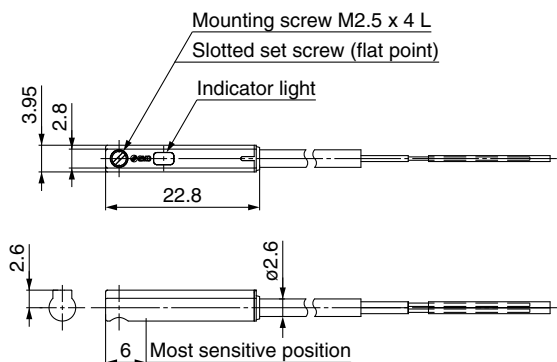
\* Refer to the **Web Catalog** for lead wire lengths.

## Weight

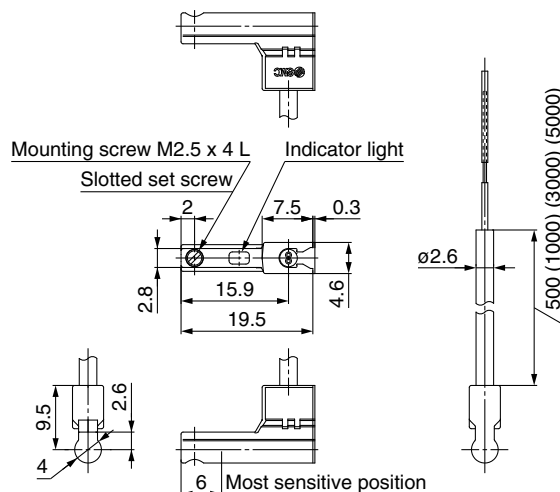
Auto switch model		D-M9N(V)	D-M9P(V)	D-M9B(V)
Lead wire length	0.5 m (Nil)	8	7	7
	1 m (M)	14	13	13
	3 m (L)	41	38	38
	5 m (Z)	68	63	63

## Dimensions

### D-M9□



### D-M9□V



Model Selection

LEKFS

LEFS

LEFB

LEUS

LET-X11

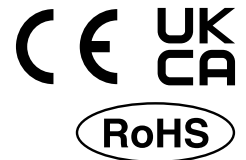
LEY

LEYG

LESYH

Motor Mounting

# Normally Closed Solid State Auto Switch Direct Mounting Type D-M9NE(V)/D-M9PE(V)/D-M9BE(V)



Refer to the SMC website for details on products that are compliant with international standards.

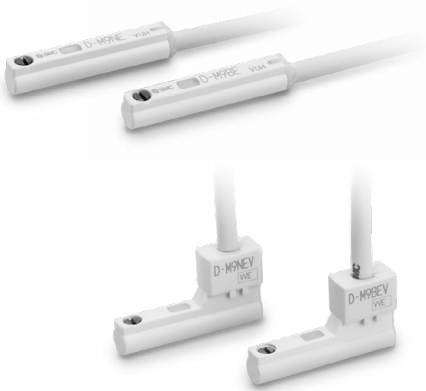
## Auto Switch Specifications

PLC: Programmable Logic Controller

D-M9□E, D-M9□EV (With indicator light)						
Auto switch model	D-M9NE	D-M9NEV	D-M9PE	D-M9PEV	D-M9BE	D-M9BEV
Electrical entry direction	In-line	Perpendicular	In-line	Perpendicular	In-line	Perpendicular
Wiring type	3-wire				2-wire	
Output type	NPN		PNP		—	
Applicable load	IC circuit, Relay, PLC				24 VDC relay, PLC	
Power supply voltage	5, 12, 24 VDC (4.5 to 28 V)				—	
Current consumption	10 mA or less				—	
Load voltage	28 VDC or less		—		24 VDC (10 to 28 VDC)	
Load current	40 mA or less				2.5 to 40 mA	
Internal voltage drop	0.8 V or less at 10 mA (2 V or less at 40 mA)				4 V or less	
Leakage current	100 μA or less at 24 VDC				0.8 mA or less	
Indicator light	Red LED illuminates when turned ON.					
Standards	CE/UKCA marking					

### Grommet

- Output signal turns on when no magnetic force is detected.
- Can be used for the actuator adopted by the solid state auto switch D-M9 series (excluding special order products)



## Oilproof Flexible Heavy-duty Lead Wire Specifications

Auto switch model		D-M9NE(V)	D-M9PE(V)	D-M9BE(V)
Sheath	Outside diameter [mm]	ø2.6		
Insulator	Number of cores	3 cores (Brown/Blue/Black)		2 cores (Brown/Blue)
	Outside diameter [mm]	ø0.88		
Conductor	Effective area [mm <sup>2</sup> ]	0.15		
	Strand diameter [mm]	ø0.05		
Min. bending radius [mm] (Reference values)		17		

- \* Refer to the **Web Catalog** for solid state auto switch common specifications.
- \* Refer to the **Web Catalog** for lead wire lengths.

### Caution

#### Precautions

Fix the auto switch with the existing screw installed on the auto switch body. The auto switch may be damaged if a screw other than the one supplied is used.

## Weight

[g]

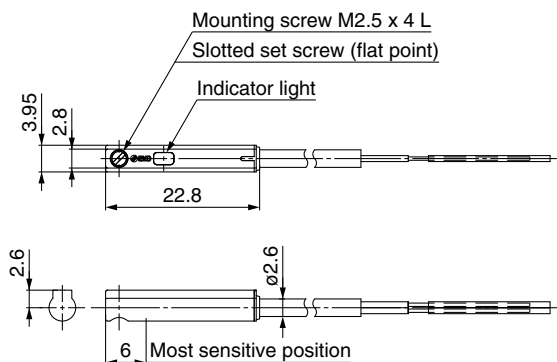
Auto switch model		D-M9NE(V)	D-M9PE(V)	D-M9BE(V)
Lead wire length	0.5 m (Nil)	8	7	7
	1 m (M)*1	14	13	13
	3 m (L)	41	38	38
	5 m (Z)*1	68	63	63

\*1 The 1 m and 5 m options are produced upon receipt of order.

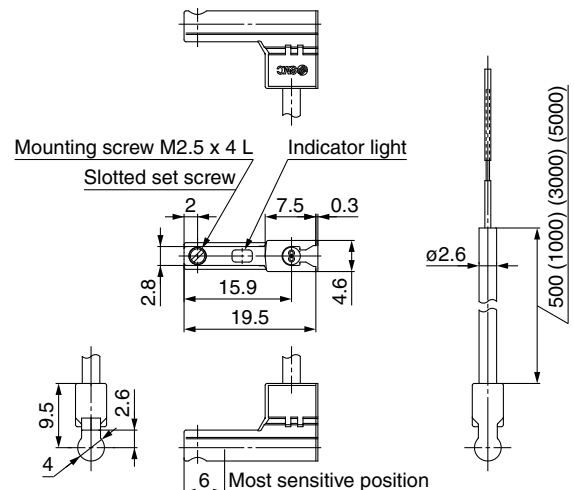
## Dimensions

[mm]

### D-M9□E



### D-M9□EV



# 2-Color Indicator Solid State Auto Switch Direct Mounting Type D-M9NW(V)/D-M9PW(V)/D-M9BW(V)



Refer to the SMC website for details on products that are compliant with international standards.

## Auto Switch Specifications

PLC: Programmable Logic Controller

D-M9□W, D-M9□WV (With indicator light)						
Auto switch model	D-M9NW	D-M9NWV	D-M9PW	D-M9PWV	D-M9BW	D-M9BWV
Electrical entry direction	In-line	Perpendicular	In-line	Perpendicular	In-line	Perpendicular
Wiring type	3-wire				2-wire	
Output type	NPN		PNP		—	
Applicable load	IC circuit, Relay, PLC				24 VDC relay, PLC	
Power supply voltage	5, 12, 24 VDC (4.5 to 28 V)				—	
Current consumption	10 mA or less				—	
Load voltage	28 VDC or less		—		24 VDC (10 to 28 VDC)	
Load current	40 mA or less				2.5 to 40 mA	
Internal voltage drop	0.8 V or less at 10 mA (2 V or less at 40 mA)				4 V or less	
Leakage current	100 μA or less at 24 VDC				0.8 mA or less	
Indicator light	Operating range ..... Red LED illuminates. Proper operating range ..... Green LED illuminates.					
Standards	CE/UKCA marking					

## Oilproof Flexible Heavy-duty Lead Wire Specifications

Auto switch model		D-M9NW(V)	D-M9PW(V)	D-M9BW(V)
Sheath	Outside diameter [mm]	ø2.6		
Insulator	Number of cores	3 cores (Brown/Blue/Black)		2 cores (Brown/Blue)
	Outside diameter [mm]	ø0.88		
Conductor	Effective area [mm <sup>2</sup> ]	0.15		
	Strand diameter [mm]	ø0.05		
Min. bending radius [mm] (Reference values)		17		

- \* Refer to the **Web Catalog** for solid state auto switch common specifications.
- \* Refer to the **Web Catalog** for lead wire lengths.

## Weight

[g]

Auto switch model		D-M9NW(V)	D-M9PW(V)	D-M9BW(V)
Lead wire length	0.5 m (Nil)	8	7	7
	1 m (M)	14	13	13
	3 m (L)	41	38	38
	5 m (Z)	68	63	63

## Grommet

- 2-wire load current is reduced (2.5 to 40 mA).
- Using flexible cable as standard spec.
- The proper operating range can be determined by the color of the light. (Red → Green ← Red)



## Caution

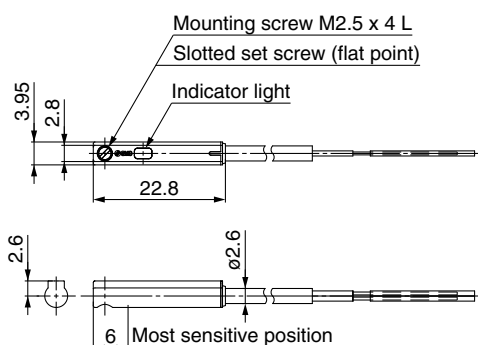
### Precautions

Fix the auto switch with the existing screw installed on the auto switch body. The auto switch may be damaged if a screw other than the one supplied is used.

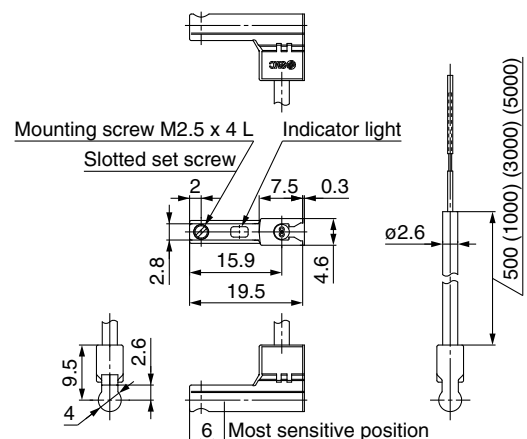
## Dimensions

[mm]

### D-M9□W



### D-M9□WV





# LEJS Series Specific Product Precautions 1

Be sure to read this before handling the products. Refer to the back cover for safety instructions. For electric actuator and auto switch precautions, refer to the “Handling Precautions for SMC Products” and the “Operation Manual” on the SMC website: <https://www.smcworld.com>

## Design

### ⚠ Caution

#### 1. Do not apply a load in excess of the specification limits.

Select a suitable actuator by work load and allowable moment. If a load in excess of the specification limits is applied to the guide, adverse effects such as the generation of play in the guide, reduced accuracy, or reduced service life of the product may occur.

#### 2. Do not use the product in applications where excessive external force or impact force is applied to it.

The product can be damaged. The components including the motor are manufactured to precise tolerances. So that even a slight deformation may cause a malfunction or seizure.

## Selection

### ⚠ Warning

#### 1. Do not increase the speed in excess of the specification limits.

Select a suitable actuator by the relationship of the allowable work load and speed, and the allowable speed of each stroke. If the product is used outside of the specification limits, adverse effects such as the generation of noise, reduced accuracy, or reduced service life of the product may occur.

#### 2. When the product repeatedly cycles with partial strokes (100 mm or less), lubrication can run out. Operate it at a full stroke at least once a day or every a thousand cycles.

#### 3. When external force is to be applied to the table, it is necessary to add the external force to the work load as the total carried load when selecting a size.

When a cable duct or flexible moving tube is attached to the actuator, the sliding resistance of the table will increase, which may lead to the malfunction of the product.

#### 4. Depending on the shape of the motor to be mounted, some of the product's interior parts (hub, spider, etc.) may be visible from the motor mounting surface. If this is undesirable, please contact your nearest sales office for details on options such as covers.

## Handling

### ⚠ Caution

#### 1. Never allow the table to collide with the end of stroke.

When the driver parameters, origin or programs are set incorrectly, the table may collide with the stroke end of the actuator during operation. Be sure to check these points before use.

If the table collides with the stroke end of the actuator, the guide, ball screw, belt, or internal stopper may break. This can result in abnormal operation.



Handle the actuator with care when it is used in the vertical direction as the workpiece will fall freely from its own weight.

#### 2. The actual speed of this actuator is affected by the work load and stroke.

Check the model selection section of the catalog.

#### 3. Do not apply a load, impact, or resistance in addition to the transferred load during return to origin.

#### 4. Do not dent, scratch, or cause other damage to the body or table mounting surfaces.

Doing so may cause unevenness in the mounting surface, play in the guide, or an increase in the sliding resistance.

#### 5. Do not apply strong impact or an excessive moment while mounting the product or a workpiece.

If an external force over the allowable moment is applied, it may cause play in the guide or an increase in the sliding resistance.

#### 6. Keep the flatness of the mounting surface within 0.1 mm/500 mm.

If a workpiece or base does not sit evenly on the body of the product, play in the guide or an increase in the sliding resistance may occur.

In the case of overhang mounting (including cantilever), use a support plate or support guide to avoid deflection of the actuator body.

#### 7. When mounting the actuator, use all mounting holes.

If all mounting holes are not used, it influences the specifications, e.g., the amount of displacement of the table increases.

#### 8. Do not allow a workpiece to collide with the table during the positioning operation or within the positioning range.

#### 9. Do not apply external force to the dust seal band.

Particularly during the transportation



# LEJS Series Specific Product Precautions 2

Be sure to read this before handling the products. Refer to the back cover for safety instructions. For electric actuator and auto switch precautions, refer to the “Handling Precautions for SMC Products” and the “Operation Manual” on the SMC website: <https://www.smcworld.com>

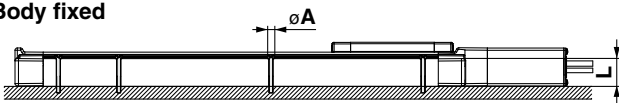
## Handling

### ⚠ Caution

#### 10. When mounting the product, use screws of adequate length and tighten them with adequate torque.

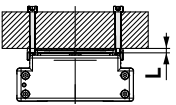
Tightening the screws with a higher torque than recommended may result in a malfunction, while tightening with a lower torque can result in the displacement of the mounting position or, in extreme conditions, the actuator could become detached from its mounting position.

#### Body fixed



Model	Screw size	Max. tightening torque [N·m]	$\phi A$ [mm]	L [mm]
LEJS40	M5	3.0	5.5	36.5
LEJS63	M6	5.2	6.8	49.5

#### Workpiece fixed

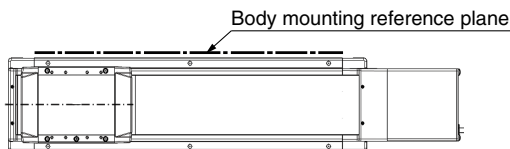


Model	Screw size	Max. tightening torque [N·m]	L (Max. screw-in depth) [mm]
LEJS40	M6 x 1	5.2	10
LEJS63	M8 x 1.25	12.5	12

To prevent the workpiece retaining screws from touching the body, use screws that are 0.5 mm or shorter than the maximum screw-in depth. If long screws are used, they may touch the body and cause a malfunction.

#### 11. Do not operate by fixing the table and moving the actuator body.

#### 12. When mounting the actuator using the body mounting reference plane, use a pin. Set the height of the pin to be 5 mm or more because of round chamfering. (Recommended height: 6 mm)



## Maintenance

### ⚠ Warning

#### Maintenance frequency

Perform maintenance according to the table below.

Frequency	Appearance check	Internal check
Inspection before daily operation	○	—
Inspection every 6 months/1000 km/5 million cycles*1	○	○

\*1 Select whichever comes first.

#### • Items for visual appearance check

1. Loose set screws, Abnormal amount of dirt, etc.
2. Check for visible damage, Check of cable joint
3. Vibration, Noise

#### • Items for internal check

1. Lubricant condition on moving parts
  - \* For lubrication, use lithium grease No. 2.
2. Loose or mechanical play in fixed parts or fixing screws

Model Selection

LEKFS

LEFS

LEFB

LEJS

LET-X11

LEY

LEYG

LESYH

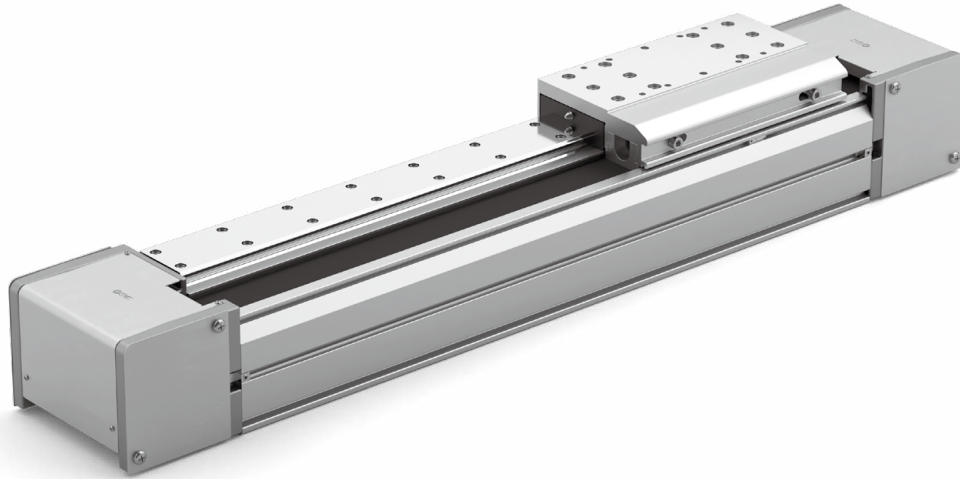
Motor Mounting



# Large Slider Type

Belt Drive *LET-X11 Series*

p. 125



Model Selection

LEKFS

LEFS

LEFB

LEJS

LET-X11

LEY

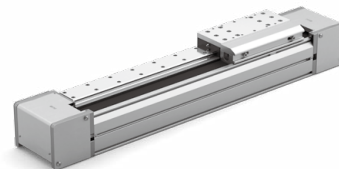
LEYG

LESYH

Motor Mounting



# Model Selection



LET-X11 Series ▶ p. 133

## Selection Procedure

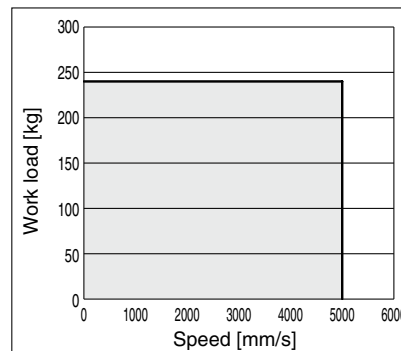
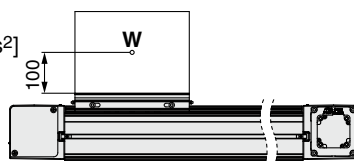


### Selection Example

The model selection method shown below corresponds to SMC's standard motor. For use in combination with a motor from a different manufacturer, check the available product information of the motor to be used.

#### Operating conditions

- Work load: 100 [kg]
- Speed: 300 [mm/s]
- Acceleration/Deceleration: 3000 [mm/s<sup>2</sup>]
- Stroke: 300 [mm]
- Mounting orientation: Horizontal
- External force: 10 [N]
- Workpiece mounting condition:



<Speed-Work Load Graph>  
(LET100)

#### Step 1 Check the speed-work load.

Select a model based on the workpiece mass and speed which are within the range of the actuator body specifications while referencing the speed-work load graph (guide) on page 126.

Selection example) The LET100NNS-300-X11 can be temporarily selected as a possible candidate based on the graph shown on the right side.

\* Refer to the selection method of motor manufacturers for regeneration resistance.

#### Step 2 Check the cycle time.

Refer to method 1 for a rough estimate, and method 2 for a more precise value.

##### Method 1: Check the cycle time graph. (page 127)

The graph is based on the maximum speed of each size.

##### Method 2: Calculation

###### Cycle time:

T can be found from the following equation.

$$T = T1 + T2 + T3 + T4 \text{ [s]}$$

- T1 and T3 can be found by the following equation.

$$T1 = V/a1 \text{ [s]} \quad T3 = V/a2 \text{ [s]}$$

The acceleration and deceleration values have upper limits depending on the workpiece mass and the duty ratio. Confirm that they do not exceed the upper limit, by referring to the "Work load-Acceleration/Deceleration Graph (Guide)" on pages 128 and 129.

- T2 can be found from the following equation.

$$T2 = \frac{L - 0.5 \cdot V \cdot (T1 + T3)}{V} \text{ [s]}$$

- T4 varies depending on the motor type and load. The value below is recommended.

$$T4 = 0.05 \text{ [s]}$$

\* The conditions for the settling time vary depending on the motor or driver to be used.

###### Calculation example)

T1 to T4 can be calculated as follows.

$$T1 = V/a1 = 300/3000 = 0.1 \text{ [s]}$$

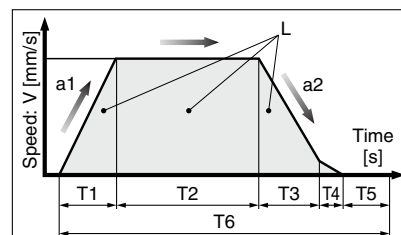
$$T3 = V/a2 = 300/3000 = 0.1 \text{ [s]}$$

$$T2 = \frac{L - 0.5 \cdot V \cdot (T1 + T3)}{V} = \frac{300 - 0.5 \cdot 300 \cdot (0.1 + 0.1)}{300} = 0.90 \text{ [s]}$$

$$T4 = 0.05 \text{ [s]}$$

The cycle time can be found as follows.

$$T = T1 + T2 + T3 + T4 = 0.1 + 0.90 + 0.1 + 0.05 = 1.15 \text{ [s]}$$



L : Stroke [mm]  
V : Speed [mm/s]  
a1 : Acceleration [mm/s<sup>2</sup>]  
a2 : Deceleration [mm/s<sup>2</sup>]

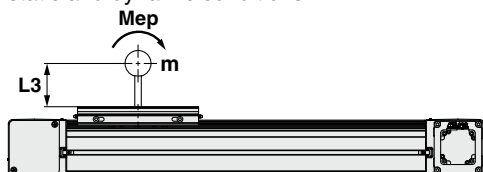
- T1: Acceleration time [s]  
Time until reaching the set speed
- T2: Constant speed time [s]  
Time while the actuator is operating at a constant speed
- T3: Deceleration time [s]  
Time from the beginning of the constant speed operation to stop
- T4: Settling time [s]  
Time until positioning is completed
- T5: Resting time [s]  
Time the product is not running
- T6: Total time [s]  
Total time from T1 to T5

Duty ratio: Ratio of T to T6  
 $T \div T6 \times 100$

#### Step 3 Check the allowable moment. <Static allowable moment> (page 126)

#### <Dynamic allowable moment> (page 130)

Confirm the moment that applies to the actuator is within the allowable range for both static and dynamic conditions.

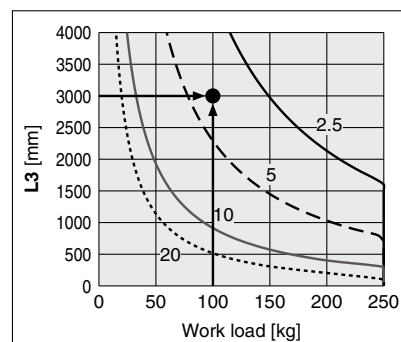


###### Selection example)

Select the LET100NNS-300-X11 from the graph on the right side.

Confirm that the external force is within the allowable external force (20 [N]).

(The external force is the resistance due to cable duct, flexible trunking or air tubing.)

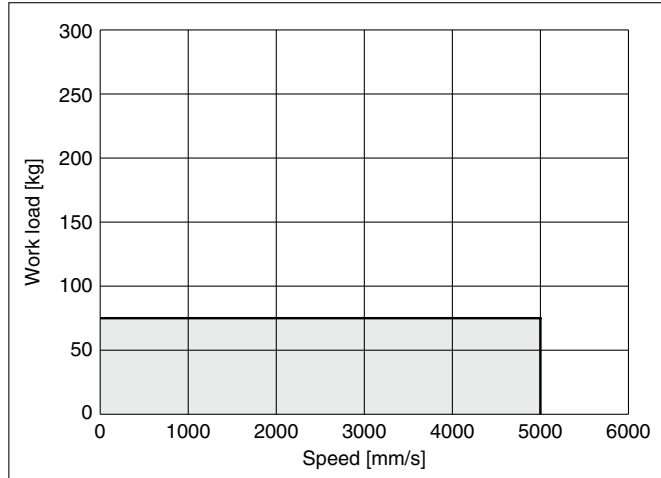


<Dynamic Allowable Moment>  
(LET100)

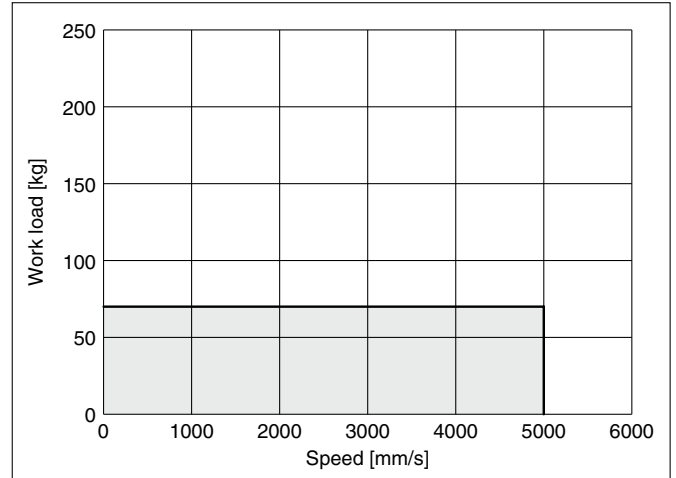
**Speed-Work Load Graph (Guide)** \* The values shown below are allowable values of the actuator body. Do not use the actuator so that it exceeds these specification ranges.

**LET80**

**Horizontal**

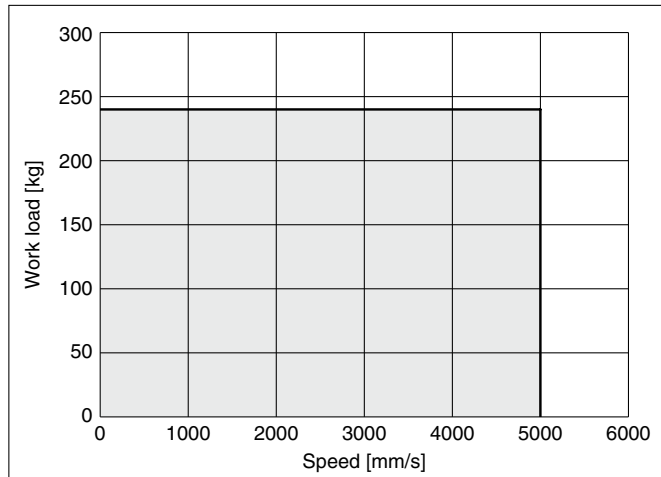


**Vertical**

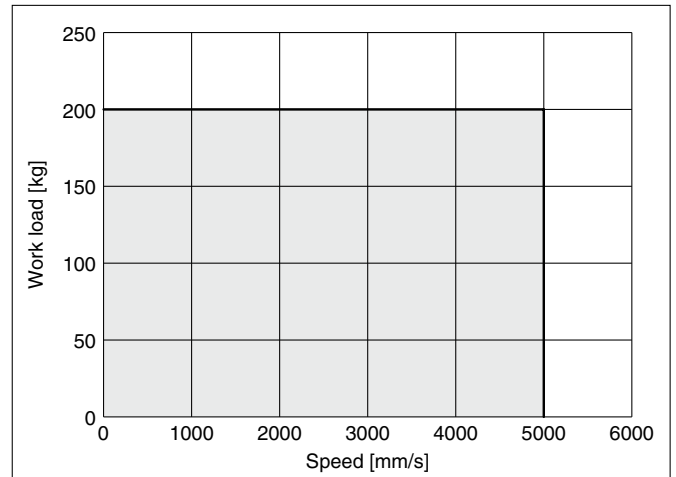


**LET100**

**Horizontal**



**Vertical**



**Static Allowable Moment\*1**

Model	Size	[N·m]		
		Pitching	Yawing	Rolling
LET	80	380	380	114
	100	1157	1157	529

\*1 The static allowable moment is the amount of static moment which can be applied to the actuator when it is stopped.  
If the product is exposed to impact or repeated load, be sure to take adequate safety measures when using the product.

Model Selection

LEKFS

LEFS

LEFB

LEJS

LET-X11

LEY

LEYG

LESYH

Motor Mounting

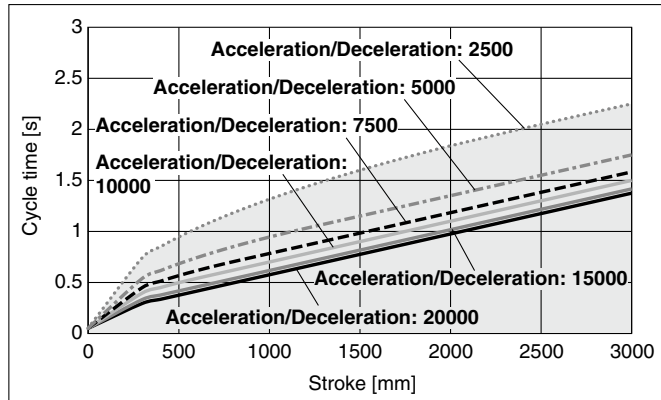
# LET-X11 Series

Motorless Type

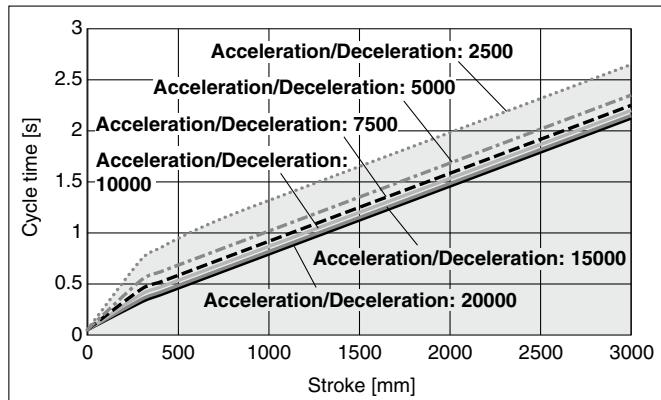
## Cycle Time Graph (Guide)

### LET80

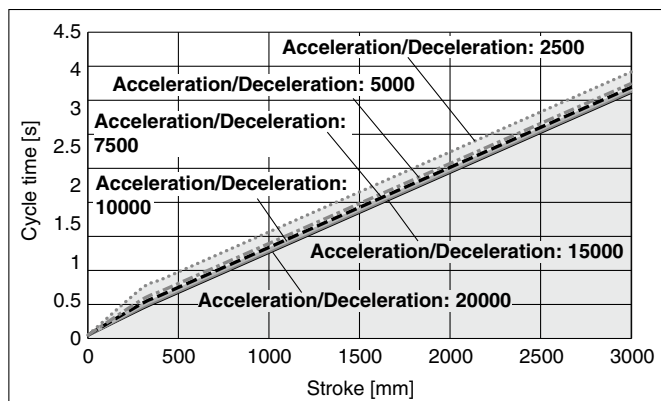
Reduction ratio: 1/3



Reduction ratio: 1/5

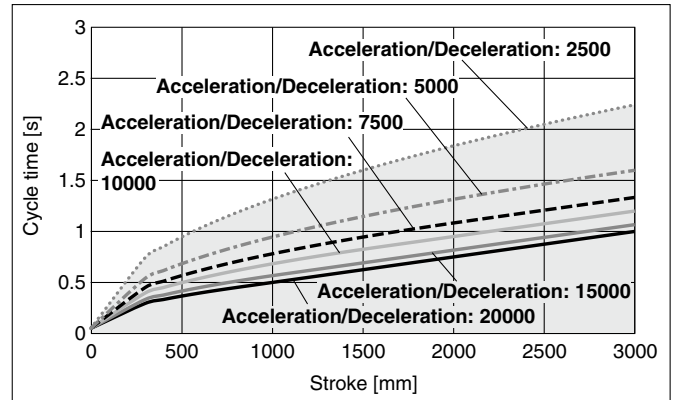


Reduction ratio: 1/9

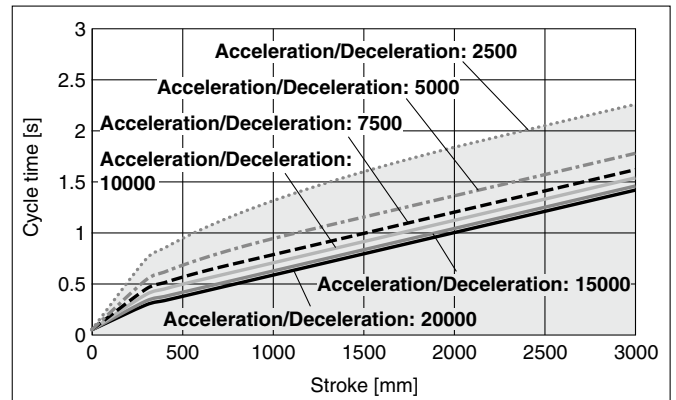


### LET100

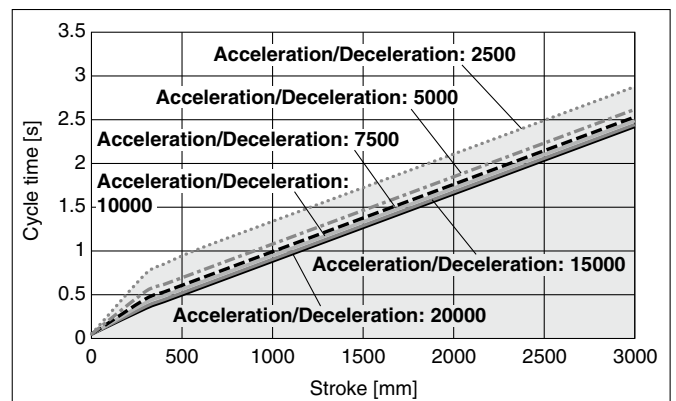
Reduction ratio: 1/3



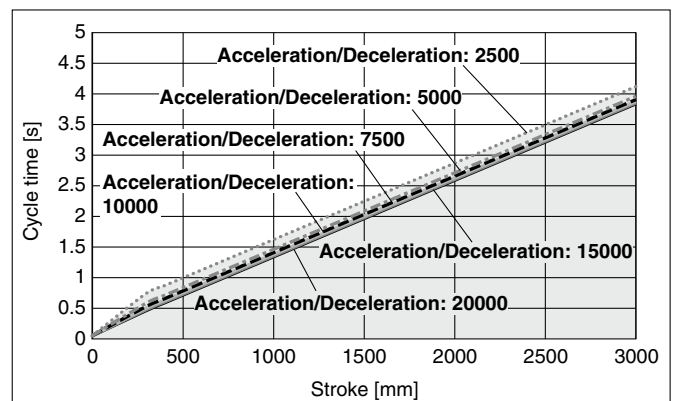
Reduction ratio: 1/5



Reduction ratio: 1/9



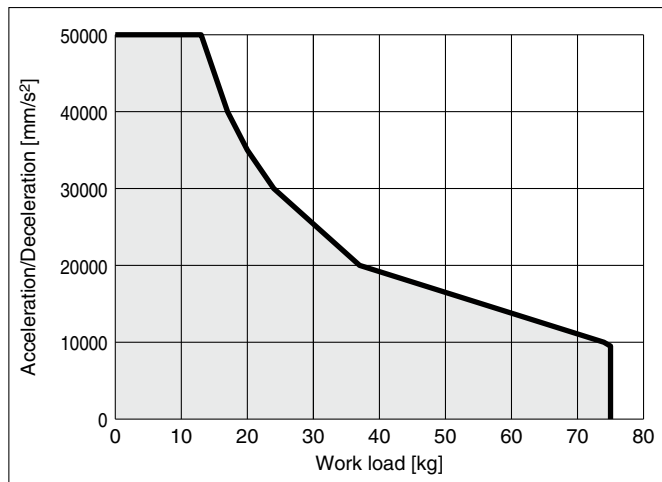
Reduction ratio: 1/15



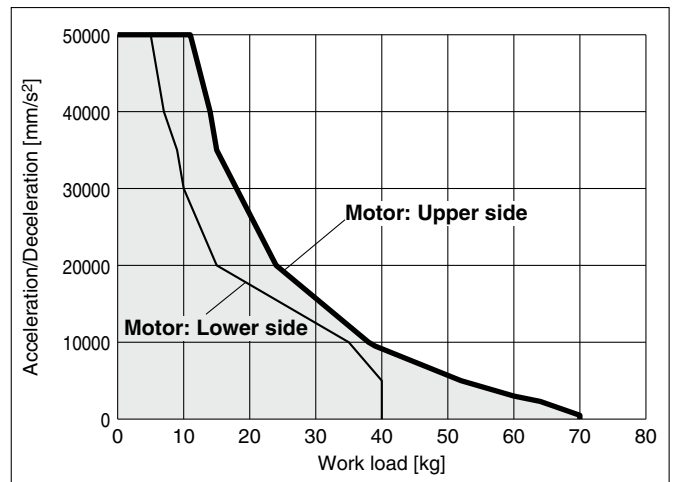
- \* These graphs are examples of when the standard motor and the reducer (motor flange option) are mounted.
- \* These graphs show the cycle time for each acceleration/deceleration.
- \* These graphs show the cycle time for each stroke at the maximum speed.

**Work Load–Acceleration/Deceleration Graph (Guide)**

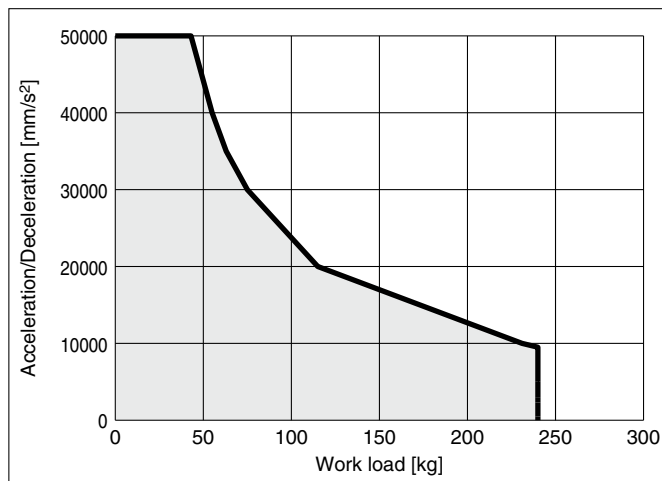
**LET80/Belt Drive: Horizontal**



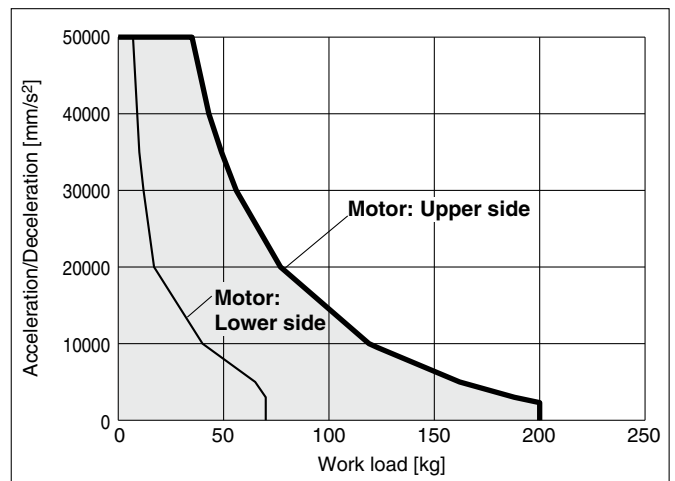
**LET80/Belt Drive: Vertical\*1**



**LET100/Belt Drive: Horizontal**



**LET100/Belt Drive: Vertical\*1**



\*1 For vertical actuator mounting, the specifications differ depending on the mounting position of the motor.  
 Be aware that actuator specifications will be reduced if the motor is mounted on the lower side (the ground side).

These graphs are examples. Determine after taking into account the load factor of the motor or driver to be used.

Model Selection

LEKFS

LEFS

LEFB

LEJS

LET-X11

LEY

LEYG

LESYH

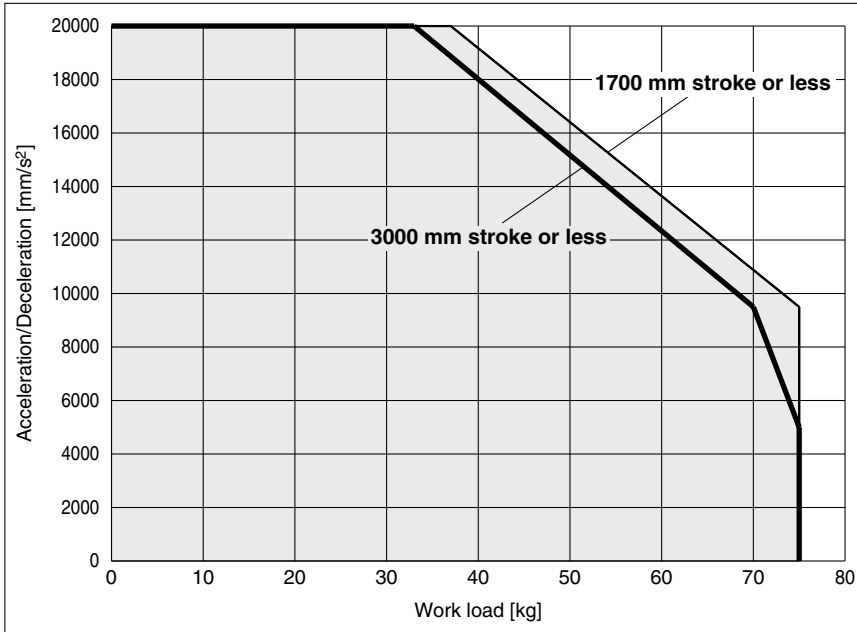
Motor Mounting

# LET-X11 Series

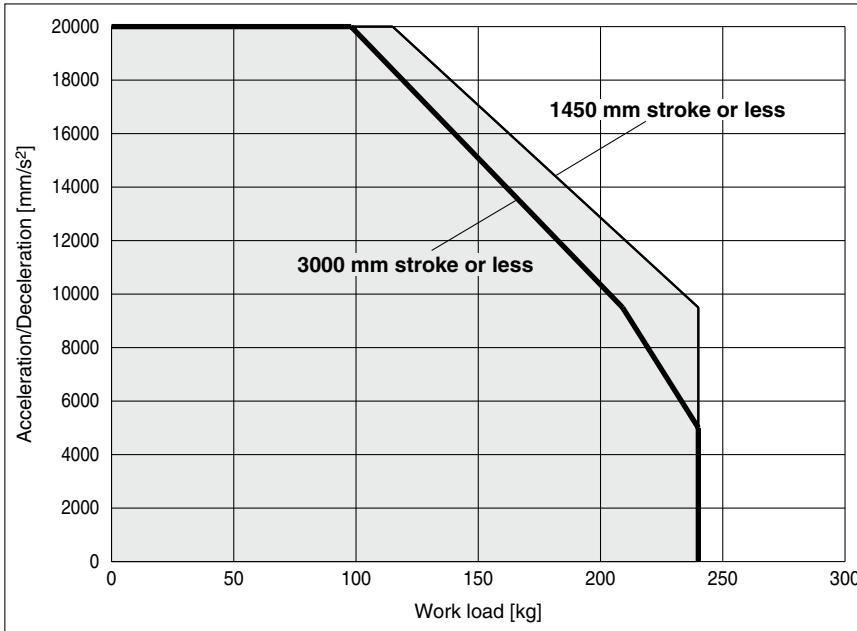
Motorless Type

## Work Load by Stroke–Acceleration/Deceleration Graph (Guide)

### LET80



### LET100



\* These graphs show the amount of allowable overhang (guide unit) when the center of gravity of the workpiece overhangs in one direction. When selecting the overhang, refer to the "Calculation of Guide Load Factor" or the Electric Actuator Model Selection Software for confirmation: <https://www.smcworld.com>

## Dynamic Allowable Moment

Acceleration/Deceleration ——— 2500 mm/s<sup>2</sup> ——— 5000 mm/s<sup>2</sup> - - - - 10000 mm/s<sup>2</sup> ······ 20000 mm/s<sup>2</sup>

Orientation	Load overhanging direction m : Work load [kg] Me: Allowable moment [N-m] L : Overhang to the work load center of gravity [mm]	Model	
		LET80	LET100
Horizontal	X 		
	Y 		
	Z 		
Bottom	X 		
	Y 		
	Z 		

Model Selection

LEKFS

LEFS

LEFB

LEJS

LET-X11

LEY

LEYG

LESYH

Motor Mounting

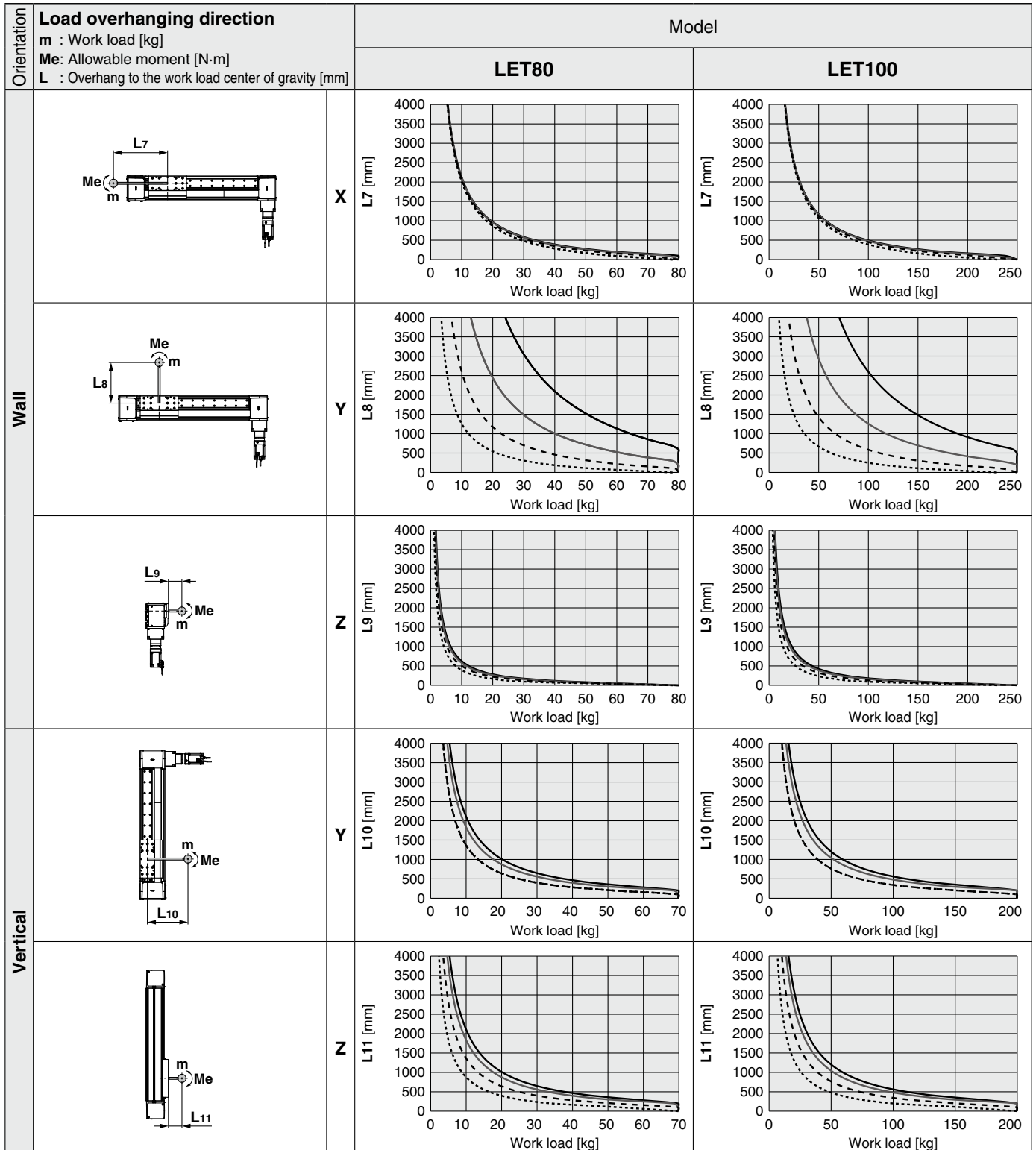
# LET-X11 Series

Motorless Type

\* These graphs show the amount of allowable overhang (guide unit) when the center of gravity of the workpiece overhangs in one direction. When selecting the overhang, refer to the "Calculation of Guide Load Factor" or the Electric Actuator Model Selection Software for confirmation: <https://www.smcworld.com>

## Dynamic Allowable Moment

Acceleration/Deceleration ——— 2500 mm/s<sup>2</sup> ——— 5000 mm/s<sup>2</sup> - - - - 10000 mm/s<sup>2</sup> ······ 20000 mm/s<sup>2</sup>





## Calculation of Guide Load Factor

- Decide operating conditions.

Model: LET-X11

Size: 80/100

Mounting orientation: Horizontal/Bottom/Wall/Vertical

Acceleration [mm/s<sup>2</sup>]: **a**

Work load [kg]: **m**

Work load center position [mm]: **Xc/Yc/Zc**

- Select the target graph while referencing the model, size, and mounting orientation.

- Based on the acceleration and work load, find the overhang [mm]: **Lx/Ly/Lz** from the graph.

- Calculate the load factor for each direction.

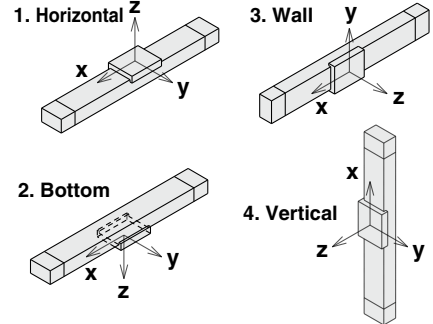
$$\alpha_x = Xc/Lx, \alpha_y = Yc/Ly, \alpha_z = Zc/Lz$$

- Confirm the total of  $\alpha_x$ ,  $\alpha_y$ , and  $\alpha_z$  is 1 or less.

$$\alpha_x + \alpha_y + \alpha_z \leq 1$$

When 1 is exceeded, please consider a reduction of acceleration and work load, or a change of the work load center position and series.

### Mounting orientation



### Example

- Operating conditions

Model: LET-X11

Size: 100

Mounting orientation: Horizontal

Acceleration [mm/s<sup>2</sup>]: 5000

Work load [kg]: 100

Work load center position [mm]: **Xc = 0, Yc = 50, Zc = 200**

- Select the graph on the top right side of page 130.

- Lx = 500 mm, Ly = 200 mm, Lz = 1450 mm**

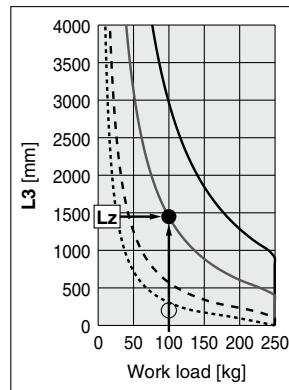
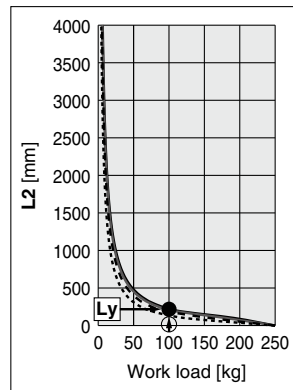
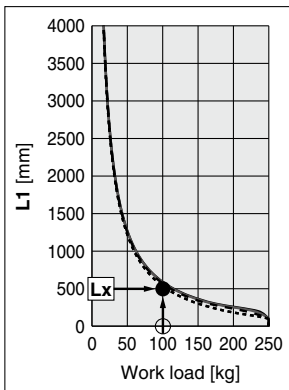
- The load factor for each direction can be found as follows.

$$\alpha_x = 0/500 = 0$$

$$\alpha_y = 50/200 = 0.25$$

$$\alpha_z = 200/1450 = 0.14$$

- $\alpha_x + \alpha_y + \alpha_z = 0.39 \leq 1$



Model Selection

LEKFS

LEFS

LEFB

LEJS

LET-X11

LEY

LEYG

LESYH

Motor Mounting

# Electric Actuator/Large Slider Type Belt Drive

## LET-X11 Series LET80, 100



### How to Order

Motorless Type **LET 100 NNS - 300 - X11**



**1 Size**

80
100

**2 Motor type\*1**

Symbol	Motor type
NN	Without motor flange

\*1 A motor flange is not included with the product.

**3 Lead [mm]**

Symbol	LET80	LET100
S	130	240

**4 Stroke [mm]**

300	300
to	to
3000	3000

\* For details, refer to the applicable stroke table below.

#### Applicable Stroke Table

Size	Stroke [mm]												
	300	400	500	600	700	800	900	1000	1200	1500	2000	2500	3000
80/100	●	●	●	●	●	●	●	●	●	●	●	●	●

\* Please contact SMC for non-standard strokes as they are produced as special orders.

For auto switches, refer to pages 140 to 143.

#### Compatible Motors and Mounting Types

Applicable motor model		Size/Mounting type	
Manufacturer	Series	80	100
		NN	
Mitsubishi Electric Corporation	MELSERVO-J4/J5	●	●
YASKAWA Electric Corporation	Σ-V/7/X	●	●
NIDEC SANKYO CORPORATION	S-FLAG	●	●
KEYENCE CORPORATION	SV/SV2	●	●
Delta Electronics, Inc.	ASDA-A2	●	●
SANYO DENKI CO., LTD.	SANMOTION R	●	—
FANUC CORPORATION	β is (-B)	● (β1 only)	—
FUJI ELECTRIC CO., LTD.	ALPHA7	●	—
ANCA Motion	AMD2000	●	—

\* For some motors, the connector may protrude from the motor body. Be sure to check for interference with the mounting surface before selecting a motor.

## Specifications

• Do not use the actuator so that it exceeds these values.

Model		LET80	LET100	
Actuator specifications	Stroke [mm]*1	300 to 1000 (Every 100st), 1200, 1500 to 3000 (Every 500st)	300 to 1000 (Every 100st), 1200, 1500 to 3000 (Every 500st)	
	Max. work load [kg]	Horizontal	75	240
		Vertical	70	200
	Speed [mm/s]*2	5000		
	Max. acceleration/deceleration [mm/s <sup>2</sup> ]	50000		
	Positioning repeatability [mm]	±0.08		
	Lead [mm]	130	240	
	Max. force [N]	800	2500	
	Impact/Vibration resistance [m/s <sup>2</sup> ]*3	50/5		
	Actuation type	Belt		
	Guide type	Linear guide		
	Static allowable moment*4 [N·m]	Mp	380	1157
		My	380	1157
		Mr	114	529
Operating temperature range [°C]	5 to 40			
Operating humidity range [%RH]	90 or less (No condensation)			
Enclosure	IP20 (Excludes motor mounting part)			
Other specifications *5	Actuation unit weight [kg]	2.09 + (0.27 × 10 <sup>-3</sup> ) × [ST]	6.77 + (0.52 × 10 <sup>-3</sup> ) × [ST]	
	Other inertia [kg·cm <sup>2</sup> ]	5.76	27.54	
	Friction coefficient	0.05		
	Mechanical efficiency	0.8		

- \*1 Please contact SMC for non-standard strokes as they are produced as special orders.
- \*2 For details, refer to the "Speed-Work Load Graph (Guide)" on page 126.
- \*3 Impact resistance: No malfunction occurred when the actuator was tested with a drop tester in both an axial direction and a perpendicular direction to the lead screw. (The test was performed with the actuator in the initial state.)  
Vibration resistance: No malfunction occurred in a test ranging between 45 to 2000 Hz. The test was performed in both an axial direction and a perpendicular direction to the lead screw. (The test was performed with the actuator in the initial state.)
- \*4 The static allowable moment is the amount of static moment which can be applied to the actuator when it is stopped.  
If the product is exposed to impact or repeated load, be sure to take adequate safety measures when using the product.
- \*5 Each value is only to be used as a guide to select a motor.
- \* Sensor magnet position is located in the table center.  
For detailed dimensions, refer to the "Auto Switch Mounting Position" on page 140.
- \* Do not allow collisions at either end of the table traveling distance.  
Also, when performing positioning operation, do not command a range of [LET80: 22 mm, LET100: 25 mm] from both ends.
- \* For the manufacturing of intermediate strokes, please contact SMC.  
(LET80/Manufacturable stroke range: 300 to 3000 mm, LET100/Manufacturable stroke range: 300 to 3000 mm)

## Weight

Size	Stroke [mm]												
	300	400	500	600	700	800	900	1000	1200	1500	2000	2500	3000
<b>80</b>	14.1	15.8	17.5	19.0	20.7	22.4	23.9	25.6	28.9	33.8	42.0	50.2	58.4
<b>100</b>	36.5	39.3	42.3	45.1	47.9	50.8	53.8	56.6	62.3	70.9	85.3	99.7	114.1

Model Selection

LEKFS

LEFS

LEFB

LEJS

LET-X11

LEY

LEYG

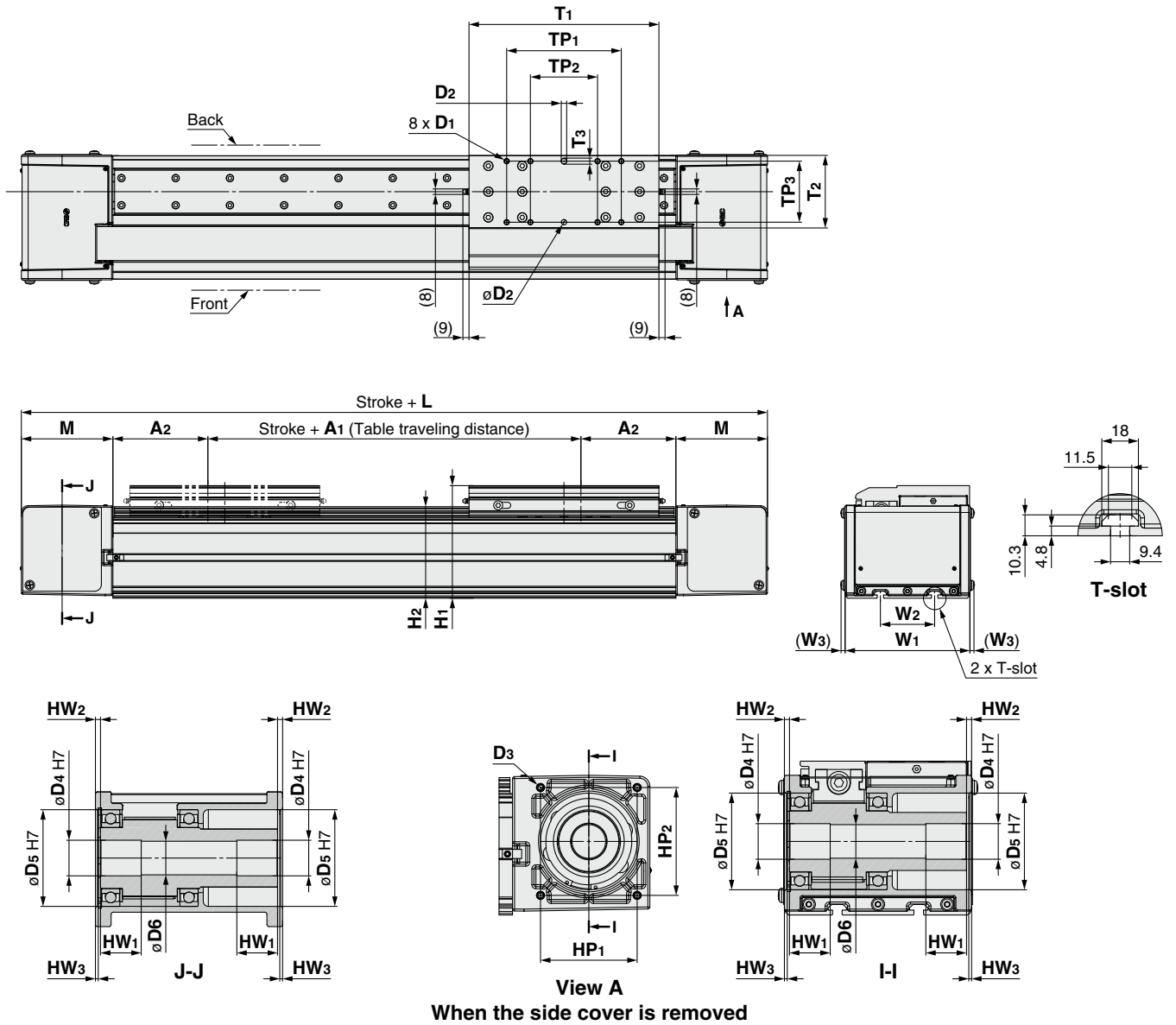
LESYH

Motor Mounting

# LET-X11 Series

Motorless Type

## Dimensions



When the side cover is removed

Size	L	A1	A2	M	H1	H2	D1	D2	D3	D4	D5	D6	W1
80	440	44	100	98	109.4	86.9	M5 x 0.8 depth 7.5	6 H7 depth 5	M6 x 1.0 depth 9	25	62	23	119
100	600	50	140	135	166	135	M8 x 1.25 depth 12	8 H7 depth 7	M8 x 1.25 depth 12	35	95	33	184

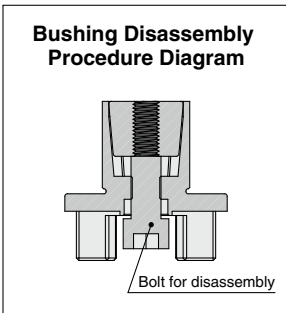
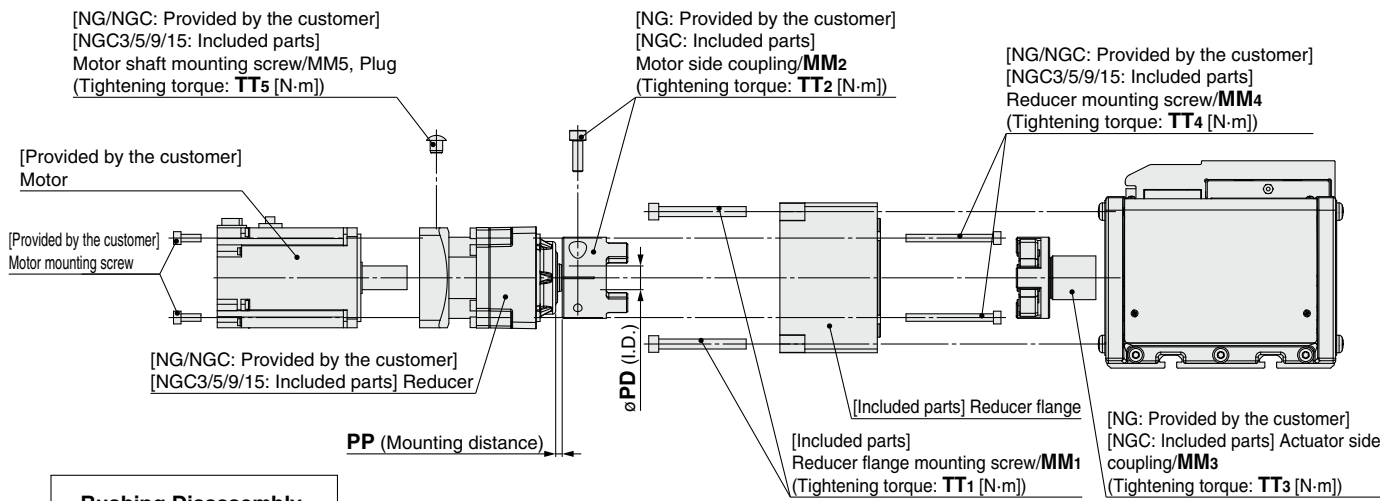
  

Size	W2	W3	HP1	HP2	HW1	HW2	HW3	TP1	TP2	TP3	T1	T2	T3
80	40	4.7	86	60	35	3	2.4	116	76	55	200	68	7
100	80	6	95	106	40	5	2.8	169	99	90	280	107	9

[mm]

- When mounting a hub, remove all oil content, dust, and dirt adhered to the shaft and the inside of the hub.
- This product does not include the motor and motor mounting screws. (Provided by the customer)  
Prepare a motor with a round shaft end.
- Take measures to prevent the loosening of the motor mounting screws.

## Motor Mounting



The outer diameter (O.D.) of the coupling to be used must not exceed the corresponding dimensions shown below.

Size	Coupling O.D.
80	ø55 mm or less
100	ø80 mm or less

### Mounting procedure

- 1) After attaching the motor to the reducer using the motor shaft mounting screw, attach a plug.
- 2) Attach the motor to the reducer using the motor mounting screws (provided by the customer).
- 3) Attach the motor side coupling to the reducer using the screw included with the coupling.
- 4) Attach the motor flange to the reducer using the reducer mounting screws.
- 5) Insert the divided actuator side coupling into the actuator, and tighten it with the bolt supplied with the coupling.\*1
- 6) Attach the reducer flange to the actuator using the reducer flange mounting screws.  
(Align the two sides of the coupling so that they fit together.)

- \*1 Follow the procedures below to loosen the actuator side coupling.
1. Remove the fastening bolt.
  2. Insert the bolt for disassembly into the actuator side coupling.
  3. Tighten the bolt for disassembly.

### Bolt for Disassembly Size

Size	Reduction ratio	Bolt for disassembly size
80	1/3	M8
	1/5, 1/9	M10
100	Common	M12

Size	Flange type	MM1	TT1	MM2	TT2	MM3	TT3	MM4	TT4	MM5	TT5	PP	PD
LET80	NGA, NGB	M6	5.2	M5	8	M6	10	—					
	NGCA							—					
	NGC3							M5	3	M4	4.3	4.5	12h6
	NGCB							M6	13	M8	20	—	
	NGC5, NGC9							M6	5.2	M5	8.7	5.2	19h7
LET100	NGA, NGB	M8	12.5	M8	30	M10	40	—					
	NGCA							—					
	NGC3, NGC5							M6	5.2	M6	15	5.2	19h7
	NGCB							M8	30	M10	40	—	
	NGC9, NGC15							M8	13	M6	15	10.2	24h7

\* The units in the table are as follows: TT □ ±10% [N·m], PP [mm], and PD [mm].

# LET-X11 Series Motor Mounting Parts

## How to Order

Flange Assembly **LET-MF 100-NGA**

①

②

① Size

80
100

② Flange type

Size	Symbol	Motor type	(Note)	Reducer flange A	Reducer flange B	Coupling (For flange A)	Coupling (For flange B)	Reducer
LET80	NGA	Mounting type GA	With motor flange	●				
	NGB	Mounting type GB	With motor flange		●			
	NGCA	Mounting type GA + Coupling included	With coupling	●		●		
	NGCB	Mounting type GB + Coupling included	With coupling		●		●	
	NGC3	Mounting type GA + With reducer*1, *2, *3	Reduction ratio 1/3	●		●		●
	NGC5	Mounting type GB + With reducer*1, *2, *3	Reduction ratio 1/5		●		●	●
	NGC9	Mounting type GB + With reducer*1, *2, *3	Reduction ratio 1/9		●		●	●
LET100	NGA	Mounting type GA	With motor flange	●				
	NGB	Mounting type GB	With motor flange		●			
	NGCA	Mounting type GA + Coupling included	With coupling	●		●		
	NGCB	Mounting type GB + Coupling included	With coupling		●		●	
	NGC3	Mounting type GA + With reducer*1, *2, *3	Reduction ratio 1/3	●		●		●
	NGC5	Mounting type GA + With reducer*1, *2, *3	Reduction ratio 1/5	●		●		●
	NGC9	Mounting type GB + With reducer*1, *2, *3	Reduction ratio 1/9		●		●	●
	NGC15	Mounting type GB + With reducer*1, *2, *3	Reduction ratio 1/15		●		●	●

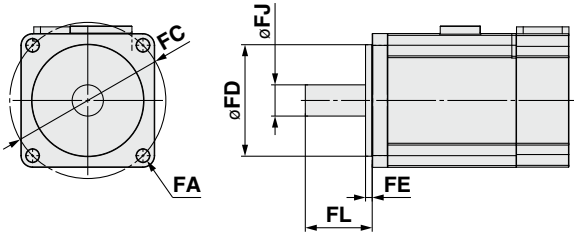
\*1 The coupling is the one for the 400 W/750 W specification.

\*2 The LET-MF80-NGC15 cannot be selected.

\*3 There are 2 types of reducer flange and coupling available according to the shape of the reducer.

**Dimensions: Motor Flange Option**

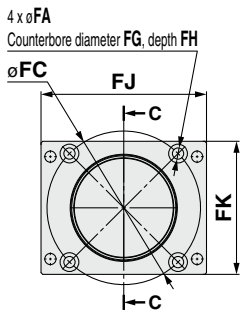
**Applicable motor**



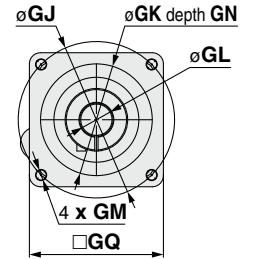
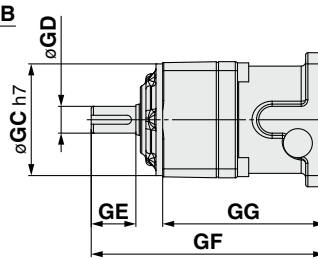
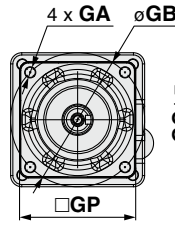
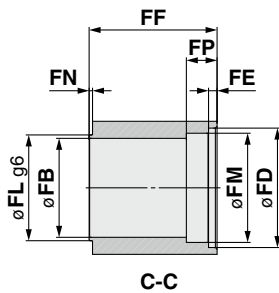
**Dimensions**

Size	FA	FC	FD	FE (Max.)	FJ	FL
80	ø5.5	ø70	50	4.6	14	29 to 31
100	ø6.6	ø90	70	4.5	19	40 to 44

**Reducer flange**



**Reducer**



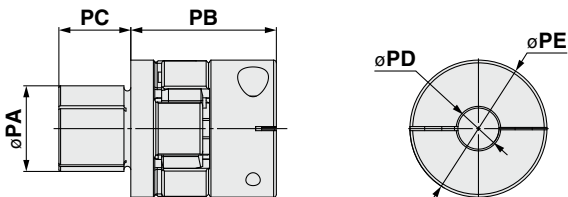
**Reducer Flange Dimensions**

Size	Flange type	FA	FB	FC	FD	FE	FF	FG	FH	FJ	FK	FL	FM	FN	FP
80	A	5.5	43	60	50 <sup>+0.04</sup> / <sub>+0.01</sub>	5	55	9.5	18	97	78	62	47	2	11
	B	6.6	58	90	70 <sup>+0.06</sup> / <sub>+0.03</sub>	5	75	11	22	97	78	62	69	2	18
100	A	6.6	70	90	70 <sup>+0.06</sup> / <sub>+0.03</sub>	5	80.5	11	23.5	110	120	95	70	2.5	20
	B	9	70	115	90 <sup>+0.06</sup> / <sub>+0.03</sub>	5	86	14	25.5	110	120	95	90	2.5	20

**Reducer Dimensions**

Size	Reduction ratio	GA	GB	GC	GD	GE	GF	GG	GJ	GK	GL	GM	GN	GP	GQ
80	1/3	M5 x 12	60	50	12h7	20	104.5	72.5	70	50	14	M5 x 8.5	4	52	60
	1/5	M6 x 20	90	70	19h7	30	139.5	89.5	70	50	14	M5 x 10	4	81	60
	1/9	M6 x 20	90	70	19h7	30	139.5	89.5	70	50	14	M5 x 10	4	81	60
100	1/3, 1/5	M6 x 20	90	70	19h7	30	143.5	93.5	90	70	19	M6 x 10	7.5	81	80
	1/9	M8 x 20	115	90	24h7	40	158.5	97.5	90	70	19	M6 x 10	7.5	101	80
	1/15	M8 x 20	115	90	24h7	40	171	110	90	70	19	M6 x 10	7.5	101	80

**Coupling**



**Dimensions**

Size	Reduction ratio	PA	PB	PC	PD	PE
80	1/3	25	42.5	21	12	40
	1/5, 1/9	25	55.3	31	19	55
100	1/3, 1/5	35	62.3	37	19	65
	1/9, 1/15	35	62.3	37	24	65

Model Selection

LEKFS

LEFS

LEFB

LEJS

LET-X11

LEY

LEYG

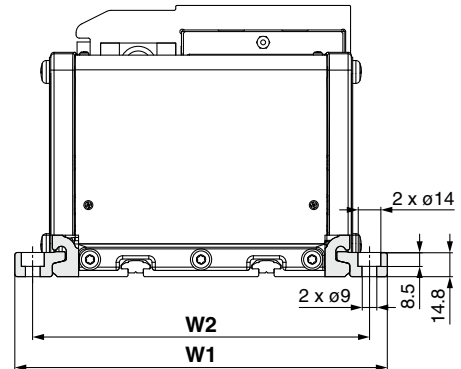
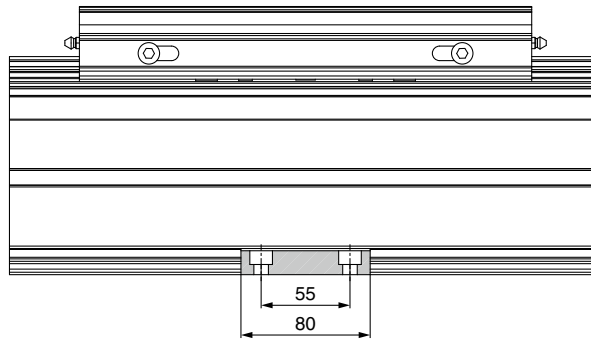
LESYH

Motor Mounting

# LET-X11 Series

## Side Supports

### MY-S50A



### Side Support Intervals

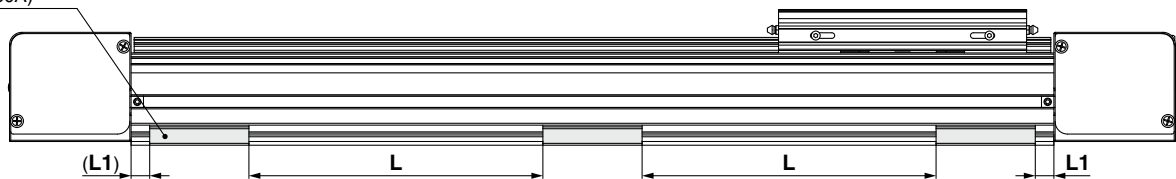
Size	W1	W2
80	162	140
100	228	206

\* The side supports consist of a set of right and left brackets.

## Usage Guide for Side Supports

When mounting with the side supports, be sure to use the number of side supports (N) and the support spacing (L1) shown in the figure and table below as a guide.

Number of side supports: N  
(MY-S50A)



\* Number of side supports: N is the combined number of left and right supports.

Stroke	Screw size	Max. tightening torque [N·mm]	L1 [mm]	Number of side supports: N [pcs.]	
				80	100
Up to 600	M8 x 1.25	12.5	15	6	8
Up to 900				8	10
Up to 1200				10	12
Up to 2000				12	14
Up to 3000				14	16

\* Secure the side supports using the support spacing (L) in the table above.

## Electric Actuator Mounting T-nuts

The T-nuts are used for mounting using the T-slots of the actuator.

When mounting with T-nuts only, mount the product while referring to ⑨ (Mount using more than the number of T-nuts used to secure the body.) in the "Handling" section of the Specific Product Precautions.

### T-nut (12 pcs.) LET - T 80 - 08

① ②

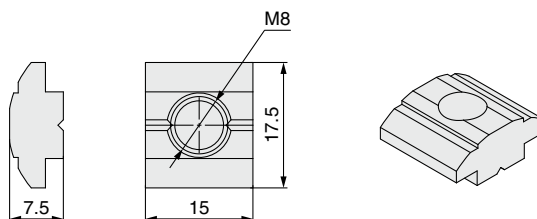
#### ① Size

80

\* The T-nuts are the same size for the LET80 and 100.

#### ② Thread size

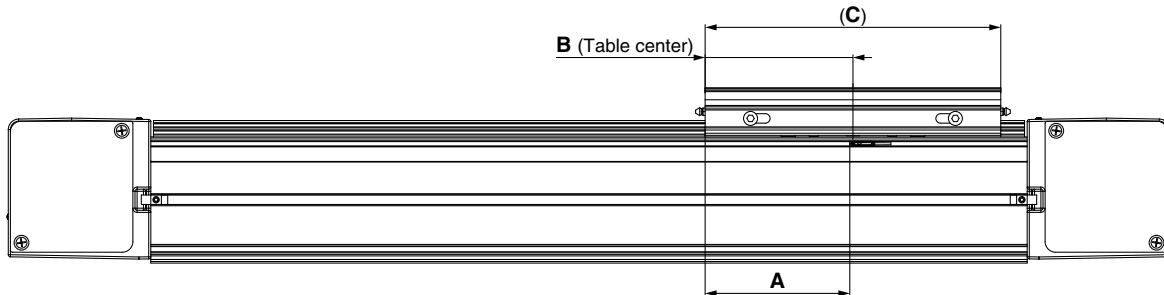
Symbol	Thread
08	M8





# LET-X11 Series Auto Switch Mounting

## Auto Switch Mounting Position



Model	Size	A	B	C	Operating range
LET80	80	97	100	200	6
LET100	100	137	140	280	7

\* The operating range is a guideline including hysteresis, not meant to be guaranteed. There may be large variations (as much as  $\pm 30\%$ ) depending on the ambient environment.

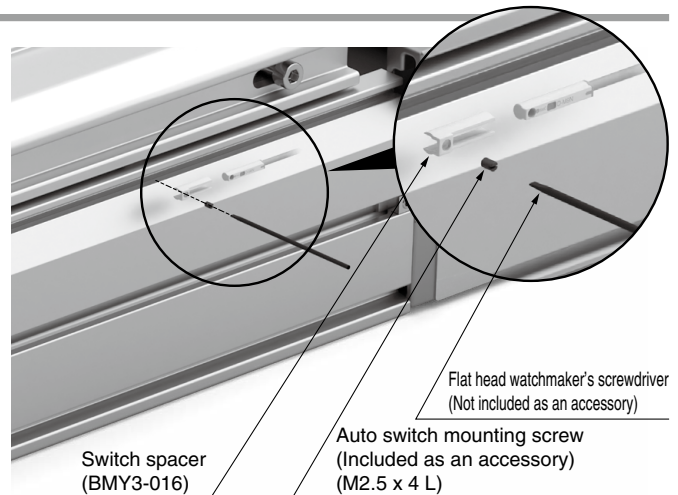
## Auto Switch Mounting (Size: 80, 100)

When mounting an auto switch, first, hold a switch spacer between your fingers and press it into the slot. When doing this, confirm that it is set in the correct mounting orientation, or reinsert it if necessary. Next, insert the auto switch into the slot and slide it until it is positioned under the switch spacer.

After confirming the mounting position, use a flat head watchmaker's screwdriver to tighten the included auto switch mounting screw.

## Auto Switch Mounting Screw Tightening Torque [N·m]

Auto switch model	Tightening torque
D-M9□(V) D-M9□W(V)	0.10 to 0.15



Model Selection

LEKFS

LEFS

LEFB

LEJS

LET-X11

LEY

LEYG

LESYH

Motor Mounting

# Solid State Auto Switch Direct Mounting Type D-M9N(V)/D-M9P(V)/D-M9B(V)



Refer to the SMC website for details on products that are compliant with international standards.

## Auto Switch Specifications

PLC: Programmable Logic Controller

D-M9□, D-M9□V (With indicator light)						
Auto switch model	D-M9N	D-M9NV	D-M9P	D-M9PV	D-M9B	D-M9BV
Electrical entry direction	In-line	Perpendicular	In-line	Perpendicular	In-line	Perpendicular
Wiring type	3-wire				2-wire	
Output type	NPN		PNP		—	
Applicable load	IC circuit, Relay, PLC				24 VDC relay, PLC	
Power supply voltage	5, 12, 24 VDC (4.5 to 28 V)				—	
Current consumption	10 mA or less				—	
Load voltage	28 VDC or less		—		24 VDC (10 to 28 VDC)	
Load current	40 mA or less				2.5 to 40 mA	
Internal voltage drop	0.8 V or less at 10 mA (2 V or less at 40 mA)				4 V or less	
Leakage current	100 μA or less at 24 VDC				0.8 mA or less	
Indicator light	Red LED illuminates when turned ON.					
Standards	CE/UKCA marking					

### Grommet

- 2-wire load current is reduced (2.5 to 40 mA).
- Using flexible cable as standard spec.



## Oilproof Flexible Heavy-duty Lead Wire Specifications

Auto switch model		D-M9N(V)	D-M9P(V)	D-M9B(V)
Sheath	Outside diameter [mm]	ø2.6		
Insulator	Number of cores	3 cores (Brown/Blue/Black)		2 cores (Brown/Blue)
	Outside diameter [mm]	ø0.88		
Conductor	Effective area [mm <sup>2</sup> ]	0.15		
	Strand diameter [mm]	ø0.05		
Min. bending radius [mm] (Reference values)		17		

- \* Refer to the **Web Catalog** for solid state auto switch common specifications.
- \* Refer to the **Web Catalog** for lead wire lengths.

### Caution

#### Precautions

Fix the auto switch with the existing screw installed on the auto switch body. The auto switch may be damaged if a screw other than the one supplied is used.

## Weight

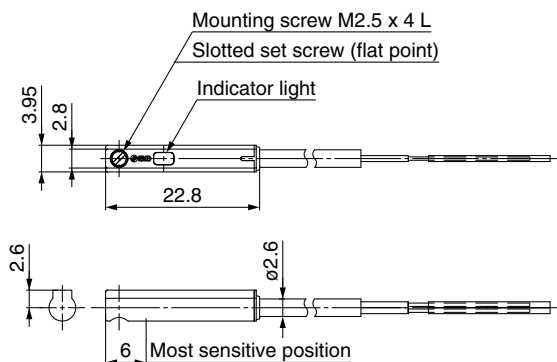
[g]

Auto switch model		D-M9N(V)	D-M9P(V)	D-M9B(V)
Lead wire length	0.5 m (Nil)	8	7	7
	1 m (M)	14	13	13
	3 m (L)	41	38	38
	5 m (Z)	68	63	63

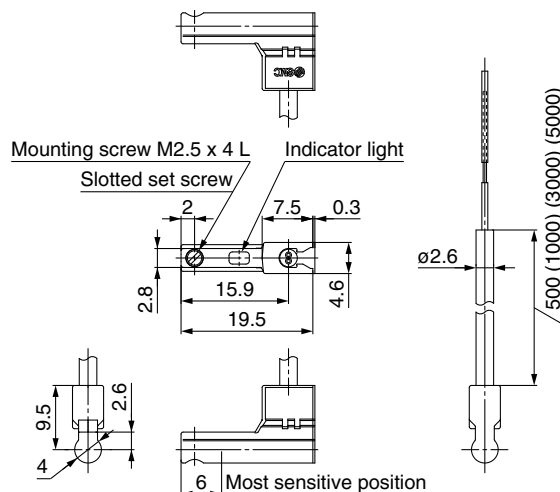
## Dimensions

[mm]

### D-M9□



### D-M9□V



# Normally Closed Solid State Auto Switch Direct Mounting Type D-M9NE(V)/D-M9PE(V)/D-M9BE(V)



Refer to the SMC website for details on products that are compliant with international standards.

PLC: Programmable Logic Controller

## Auto Switch Specifications

D-M9□E, D-M9□EV (With indicator light)						
Auto switch model	D-M9NE	D-M9NEV	D-M9PE	D-M9PEV	D-M9BE	D-M9BEV
Electrical entry direction	In-line	Perpendicular	In-line	Perpendicular	In-line	Perpendicular
Wiring type	3-wire				2-wire	
Output type	NPN		PNP		—	
Applicable load	IC circuit, Relay, PLC				24 VDC relay, PLC	
Power supply voltage	5, 12, 24 VDC (4.5 to 28 V)				—	
Current consumption	10 mA or less				—	
Load voltage	28 VDC or less		—		24 VDC (10 to 28 VDC)	
Load current	40 mA or less				2.5 to 40 mA	
Internal voltage drop	0.8 V or less at 10 mA (2 V or less at 40 mA)				4 V or less	
Leakage current	100 μA or less at 24 VDC				0.8 mA or less	
Indicator light	Red LED illuminates when turned ON.					
Standards	CE/UKCA marking					

## Oilproof Flexible Heavy-duty Lead Wire Specifications

Auto switch model		D-M9NE(V)	D-M9PE(V)	D-M9BE(V)
Sheath	Outside diameter [mm]	ø2.6		
Insulator	Number of cores	3 cores (Brown/Blue/Black)		2 cores (Brown/Blue)
	Outside diameter [mm]	ø0.88		
Conductor	Effective area [mm <sup>2</sup> ]	0.15		
	Strand diameter [mm]	ø0.05		
Min. bending radius [mm] (Reference values)		17		

\* Refer to the **Web Catalog** for solid state auto switch common specifications.  
\* Refer to the **Web Catalog** for lead wire lengths.

## Grommet

- Output signal turns on when no magnetic force is detected.
- Can be used for the actuator adopted by the solid state auto switch D-M9 series (excluding special order products)



## Caution

### Precautions

Fix the auto switch with the existing screw installed on the auto switch body. The auto switch may be damaged if a screw other than the one supplied is used.

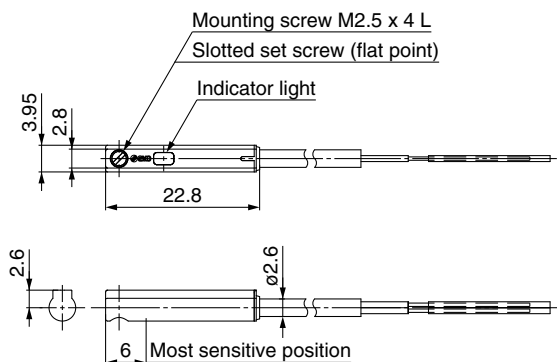
## Weight

Auto switch model		D-M9NE(V)	D-M9PE(V)	D-M9BE(V)
Lead wire length	0.5 m (Nil)	8	7	7
	1 m (M)*1	14	13	13
	3 m (L)	41	38	38
	5 m (Z)*1	68	63	63

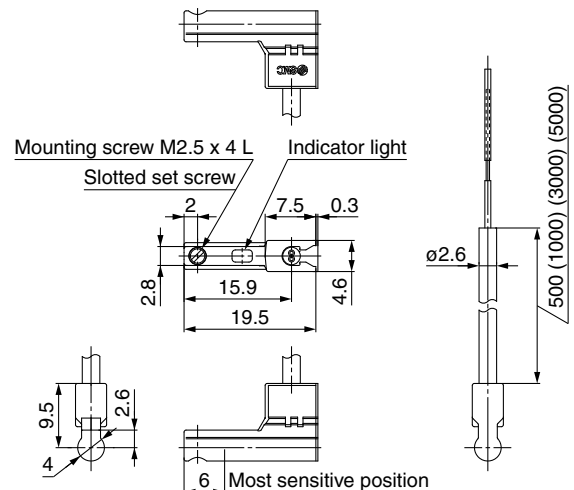
\*1 The 1 m and 5 m options are produced upon receipt of order.

## Dimensions

### D-M9□E



### D-M9□EV



# 2-Color Indicator Solid State Auto Switch Direct Mounting Type D-M9NW(V)/D-M9PW(V)/D-M9BW(V)



Refer to the SMC website for details on products that are compliant with international standards.

## Auto Switch Specifications

PLC: Programmable Logic Controller

D-M9□W, D-M9□WV (With indicator light)						
Auto switch model	D-M9NW	D-M9NWV	D-M9PW	D-M9PWV	D-M9BW	D-M9BWV
Electrical entry direction	In-line	Perpendicular	In-line	Perpendicular	In-line	Perpendicular
Wiring type	3-wire				2-wire	
Output type	NPN		PNP		—	
Applicable load	IC circuit, Relay, PLC				24 VDC relay, PLC	
Power supply voltage	5, 12, 24 VDC (4.5 to 28 V)				—	
Current consumption	10 mA or less				—	
Load voltage	28 VDC or less		—		24 VDC (10 to 28 VDC)	
Load current	40 mA or less				2.5 to 40 mA	
Internal voltage drop	0.8 V or less at 10 mA (2 V or less at 40 mA)				4 V or less	
Leakage current	100 μA or less at 24 VDC				0.8 mA or less	
Indicator light	Operating range ..... Red LED illuminates. Proper operating range ..... Green LED illuminates.					
Standards	CE/UKCA marking					

### Grommet

- 2-wire load current is reduced (2.5 to 40 mA).
- Using flexible cable as standard spec.
- The proper operating range can be determined by the color of the light. (Red → Green ← Red)



### Caution

#### Precautions

Fix the auto switch with the existing screw installed on the auto switch body. The auto switch may be damaged if a screw other than the one supplied is used.

## Oilproof Flexible Heavy-duty Lead Wire Specifications

Auto switch model		D-M9NW(V)	D-M9PW(V)	D-M9BW(V)
Sheath	Outside diameter [mm]	ø2.6		
Insulator	Number of cores	3 cores (Brown/Blue/Black)		2 cores (Brown/Blue)
	Outside diameter [mm]	ø0.88		
Conductor	Effective area [mm <sup>2</sup> ]	0.15		
	Strand diameter [mm]	ø0.05		
Min. bending radius [mm] (Reference values)		17		

- \* Refer to the **Web Catalog** for solid state auto switch common specifications.
- \* Refer to the **Web Catalog** for lead wire lengths.

## Weight

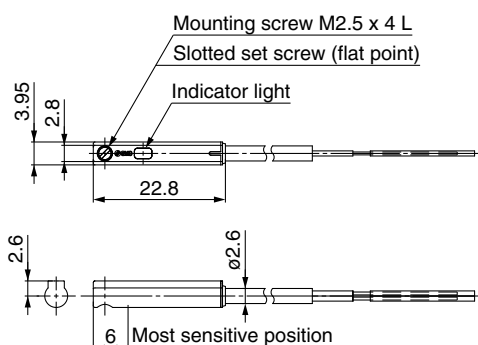
[g]

Auto switch model		D-M9NW(V)	D-M9PW(V)	D-M9BW(V)
Lead wire length	0.5 m (Nil)	8	7	7
	1 m (M)	14	13	13
	3 m (L)	41	38	38
	5 m (Z)	68	63	63

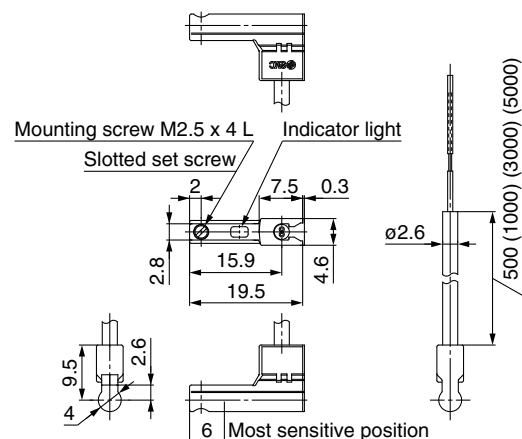
## Dimensions

[mm]

### D-M9□W



### D-M9□WV





# LET-X11 Series Specific Product Precautions 1

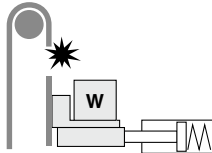
Be sure to read this before handling the products. Refer to the back cover for safety instructions. For electric actuator and auto switch precautions, refer to the “Handling Precautions for SMC Products” and the “Operation Manual” on the SMC website: <https://www.smcworld.com>

## Design

### Warning

1. When mounting it vertically, at an angle, or in other situations where there is a height difference, install safety measures from the outside. (Latches, movable bolts, fall prevention devices, etc.)

- Design the structure so that the human body does not come into direct contact with the driven object or moving parts of the actuator. Install a protective cover to prevent direct contact with the human body, or if there is a risk of contact, install a sensor or the like to ensure a safe structure such as an emergency stop before contact is made.
- Even after the actuator has stopped, do not approach the movable range until it is sufficiently safe.
- The load may fall due to a power outage or a broken belt, which may cause serious damage to the human body or the machine.
- Be sure to select a motor with brake.
- Implement safety measures externally to prevent damage from falling due to broken belt. (Latches, movable bolts, fall prevention devices, etc.)



### Caution

1. Do not apply a load in excess of the specification limits.

Select a suitable actuator by work load and allowable moment. If a load in excess of the specification limits is applied to the guide, adverse effects such as the generation of play in the guide, reduced accuracy, or reduced service life of the product may occur.

2. Do not use the product in applications where excessive external force or impact force is applied to it.

The product can be damaged. The components, including the motor, are manufactured to precise tolerances. Even a slight deformation may cause a malfunction or seizure.

## Selection

### Warning

1. Do not increase the speed in excess of the specification limits.

Select a suitable actuator by the relationship between the allowable work load and speed, and the allowable speed of each stroke. If the product is used outside of the specification limits, adverse effects such as the generation of noise, reduced accuracy, or reduced service life of the product may occur.

2. When the product repeatedly cycles with partial strokes (100 mm or less), lubrication can run out. Operate it at a full stroke at least once a day or every a thousand cycles.

3. When external force is to be applied to the table, it is necessary to add the external force to the work load as the total carried load when selecting a size.

When a cable duct or flexible moving tube is attached to the actuator, the sliding resistance of the table will increase, which may lead to the malfunction of the product.

4. Use the acceleration/deceleration within the range that does not exceed the specification limit.

This can cause malfunctions such as tooth skipping of the belt.

5. Do not operate the motor in a state where the torque exceeds 100% of the rated value without reaching the set speed.

This can cause malfunctions such as tooth skipping of the belt.

## Selection

### Warning

6. If the actuator is to be installed in a position other than horizontal installation, use an actuator with a lock.

If you use an actuator without a lock, there is no holding force when the power or servo is turned off, so the workpiece may drop.

## Handling

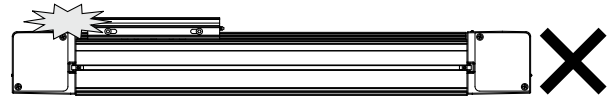
### Warning

1. Do not allow the table (slider) to hit the end of stroke.

If an incorrect input instruction is given, such as using it outside the specification range or changing the driver setting/origin position to give an operation instruction outside the actual stroke, the table (slider) can conflict. Perform a trial run to confirm that the table does not hit the end of stroke.

If the table collides with the stroke end, the guide, belt, housing, etc., will be damaged and will not operate normally.

Also, take measures against drops since the workpiece will drop freely due to its own weight when it is vertical.



### Caution

1. The actual speed of this actuator is affected by the work load and stroke.

Check the model selection section of the catalog.

2. Do not apply a load, impact, or resistance in addition to the transferred load during return to origin.

3. Do not dent, scratch, or cause other damage to the body or table mounting surfaces.

Doing so may cause unevenness in the mounting surface, play in the guide, or an increase in the sliding resistance.

4. Do not apply strong impact or an excessive moment while mounting the product or a workpiece.

If an external force over the allowable moment is applied, it may cause play in the guide or an increase in the sliding resistance.

5. Keep the flatness of the mounting surface within 0.1 mm/500 mm.

If a workpiece or base does not sit evenly on the body of the product, play in the guide or an increase in the sliding resistance may occur.

In the case of overhang mounting (including cantilever), use a support plate, etc., to avoid deflection of the actuator body.

6. When installing this product, fix it with more side supports and T-nuts than the number of installations.

Reducing the number of mounting units will affect performance, such as increasing the displacement of the table.

7. Do not allow a workpiece to collide with the table during the positioning operation or within the positioning range.

Particularly during the transportation

Model Selection

LEKFS

LEFS

LEFB

LEJS

LET-X11

LEY

LEYG

LESYH

Motor Mounting



# LET-X11 Series Specific Product Precautions 2

Be sure to read this before handling the products. Refer to the back cover for safety instructions. For electric actuator and auto switch precautions, refer to the “Handling Precautions for SMC Products” and the “Operation Manual” on the SMC website: <https://www.smcworld.com>

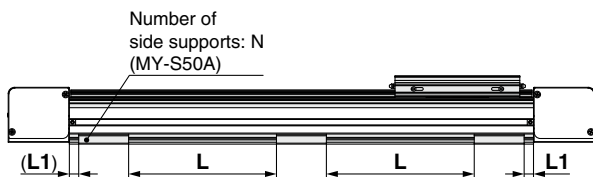
## Handling

### Caution

**8. When mounting the actuator, use bolts with adequate size and tighten them with adequate torque.**

Tightening the screws with a higher torque than the maximum may cause malfunction, whilst tightening with a lower torque can cause the displacement of the mounting position or fall.

#### Side support mounting

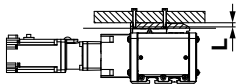


\* Number of side supports: N is the combined number of left and right supports.

Stroke	Bolt size	Max. tightening torque [N·m]	L1 [mm]	Mounting quantity	
				80	100
Up to 600	M8 x 1.25	12.5 ±10%	15	6	8
Up to 900				8	10
Up to 1200				10	12
Up to 2000				12	14
Up to 3000				14	16

\* Fix the support interval (L) of the side support at equal intervals.  
\* Please use MY-S50A for the side support used for installation.

#### Workpiece mounting



Size	Bolt size	Max. tightening torque [N·mm]	L (Max. screw-in depth) [mm]
80	M5 x 0.8	3	9
100	M8 x 1.25	12.5	15

**9. Do not operate by fixing the table and moving the actuator body.**

**10. Vibration may occur during operation, this could be caused by the operating conditions.**

**If it occurs, adjust response value of auto tuning of driver to be lower.**

**During the first auto tuning noise may occur, the noise will stop when the tuning is complete.**

**11. When the fluctuations in the load are caused during operation, malfunction, noise, or alarm generation may occur. (In the case of the AC servo motor)**

The gain tuning may not be suitable for fluctuating loads. Adjust the gain properly by following the instructions in the driver manual.

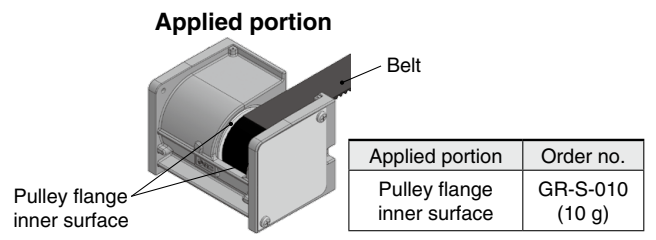
**12. When lifting the product, be careful not to overturn or drop it.**

Doing so may damage the product.

**13. Depending on the acceleration and stroke, this actuator may make noise when the belt comes into contact with the pulley flange.**

Perform one of the following.

- Decrease acceleration.
- Apply grease to the inner surface of the pulley flange (belt contact surface).



## Maintenance

### Warning

#### Maintenance frequency

Perform maintenance according to the table below.

Frequency	Appearance check	Internal check	Belt check
Inspection before daily operation	○	—	—
Inspection every 6 months/1000 km/5 million cycles*1	○	○	○

\*1 Select whichever comes first.

#### • Items for visual appearance check

- Loose set screws, Abnormal amount of dirt, etc.
- Check for visible damage, Check of cable joint
- Vibration, Noise

#### • Items for internal check

- Lubricant condition on moving parts
  - \* For lubrication, use lithium grease No. 2.
- Loose or mechanical play in fixed parts or fixing screws

#### • Items for belt check

Stop operation immediately and replace the belt when any of the following occur. In addition, ensure your operating environment and conditions satisfy the requirements specified for the product.

##### a. Facing cloth wear

The facing cloth fibers have become fuzzy, the rubber quality has gone down, and the texture of the facing cloth has become unclear.

##### b. Peeling off or wearing of the side of the belt

Belt corner has become rounded and frayed threads stick out

##### c. Belt partially cut

Belt is partially cut, Foreign matter caught in the teeth of other parts is causing damage

##### d. A vertical line on belt teeth is visible

Damage which is made when the belt runs on the flange

##### e. Rubber back of the belt is softened and sticky

##### f. Cracks on the back of the belt are visible



**Rod Type *LEY Series***

p. 147



Model Selection

LEKFS

LEFS

LEFB

LEJS

**Guide Rod Type *LEYG Series***

p. 169



LET-X11

LEY

LEYG

LESYH

Motor Mounting



## Selection Procedure

### Positioning Control Selection Procedure

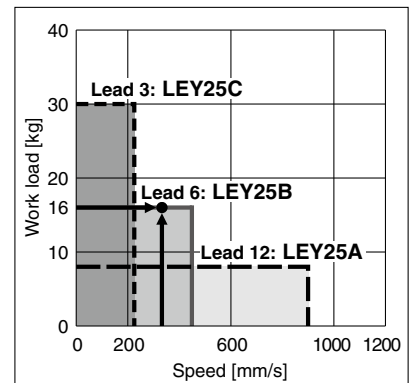


### Selection Example

The model selection method shown below corresponds to SMC's standard motor. For use in combination with a motor from a different manufacturer, check the available product information of the motor to be used.

#### Operating conditions

- Work load: 16 [kg]
- Speed: 300 [mm/s]
- Acceleration/Deceleration: 5000 [mm/s<sup>2</sup>]
- Stroke: 300 [mm]
- Workpiece mounting condition: Vertical upward downward transfer



<Speed-Vertical Work Load Graph> (LEY25)

#### Step 1 Check the work load-speed. <Speed-Vertical Work Load Graph>

Select a model based on the workpiece mass and speed which are within the range of the actuator body specifications while referencing the speed-vertical work load graph on page 149.

Selection example) The **LEY25B** can be temporarily selected as a possible candidate based on the graph shown on the right side.

\* It is necessary to mount a guide outside the actuator when used for horizontal transfer. When selecting the target model, refer to horizontal work load in the specifications on pages 154 and 155 and, the precautions.

\* Refer to the selection method of motor manufacturers for regeneration resistance.

#### Step 2 Check the cycle time.

Calculate the cycle time using the following calculation method.

##### Cycle time:

T can be found from the following equation.

$$T = T1 + T2 + T3 + T4 \text{ [s]}$$

- T1: Acceleration time and T3: Deceleration time can be found by the following equation.

$$T1 = V/a1 \text{ [s]} \quad T3 = V/a2 \text{ [s]}$$

- T2: Constant speed time can be found from the following equation.

$$T2 = \frac{L - 0.5 \cdot V \cdot (T1 + T3)}{V} \text{ [s]}$$

- T4: Settling time varies depending on the motor type and load. The value below is recommended.

$$T4 = 0.05 \text{ [s]}$$

\* The conditions for the settling time vary depending on the motor or driver to be used.

Calculation example)

T1 to T4 can be calculated as follows.

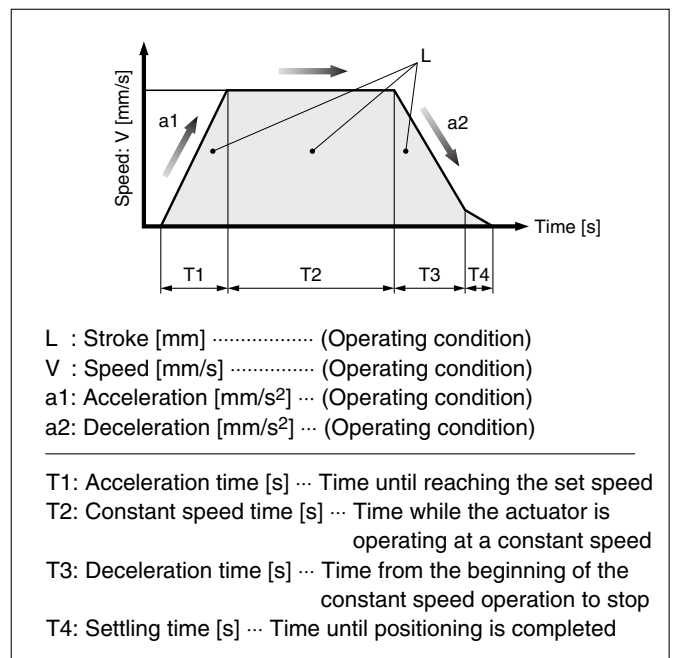
$$T1 = V/a1 = 300/5000 = 0.06 \text{ [s]}, \quad T3 = V/a2 = 300/5000 = 0.06 \text{ [s]}$$

$$T2 = \frac{L - 0.5 \cdot V \cdot (T1 + T3)}{V} = \frac{300 - 0.5 \cdot 300 \cdot (0.06 + 0.06)}{300} = 0.94 \text{ [s]}$$

$$T4 = 0.05 \text{ [s]}$$

The cycle time can be found as follows.

$$T = T1 + T2 + T3 + T4 = 0.06 + 0.94 + 0.06 + 0.05 = 1.11 \text{ [s]}$$

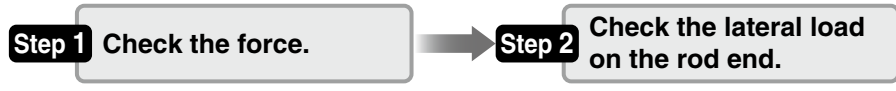


Based on the above calculation result, the **LEY25B-300** should be selected.



**Selection Procedure**

**Pushing Control Selection Procedure**

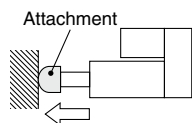


**Selection Example**

The model selection method shown below corresponds to SMC's standard motor. For use in combination with a motor from a different manufacturer, check the available product information of the motor to be used.

**Operating conditions**

- Mounting condition: Horizontal (pushing)
- Attachment weight: 0.5 [kg]
- Force: 255 [N]
- Speed: 100 [mm/s]
- Stroke: 300 [mm]



**Step 1 Check the force.**  
**<Force Conversion Graph>**

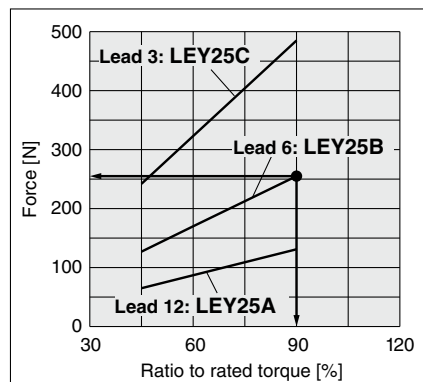
Select a model based on the ratio to rated torque and force while referencing the force conversion graph.

Selection example)

Based on the graph shown on the right side,

- Ratio to rated torque: 90 [%]
- Force: 255 [N]

The LEY25B can be temporarily selected as a possible candidate.



**<Force Conversion Graph>**  
**(LEY25)**

**Step 2 Check the lateral load on the rod end.**  
**<Graph of Allowable Lateral Load on the Rod End>**

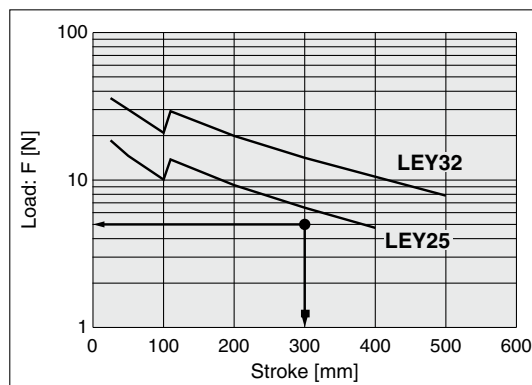
Confirm the allowable lateral load on the rod end of the actuator: LEY25B, which has been selected temporarily while referencing the graph of allowable lateral load on the rod end.

Selection example)

Based on the graph shown on the right side,

- Attachment weight: 0.5 [kg] ≈ 5 [N]
- Product stroke: 300 [mm]

The lateral load on the rod end is within the allowable range.



**<Graph of Allowable Lateral Load on the Rod End>**

**Based on the above calculation result, the LEY25B-300 should be selected.**

- Model Selection
- LEKFS
- LEFS
- LEFB
- LEJS
- LET-X11
- LEY
- LEYG
- LESYH
- Motor Mounting

# LEY Series

Motorless Type

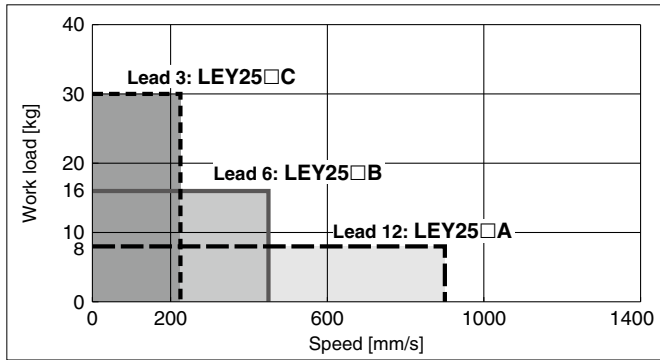
Size 25, 32, 63, 100

\* The values shown below are allowable values of the actuator body. Do not use the actuator so that it exceeds these specification ranges.

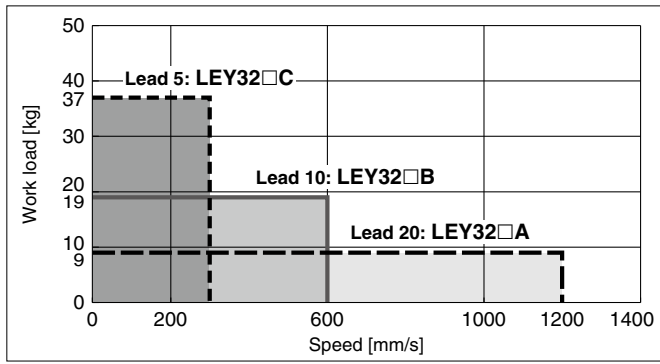
\* The allowable speed is restricted depending on the stroke. Select it by referring to the "Allowable Stroke Speed."

## Speed-Vertical Work Load Graph

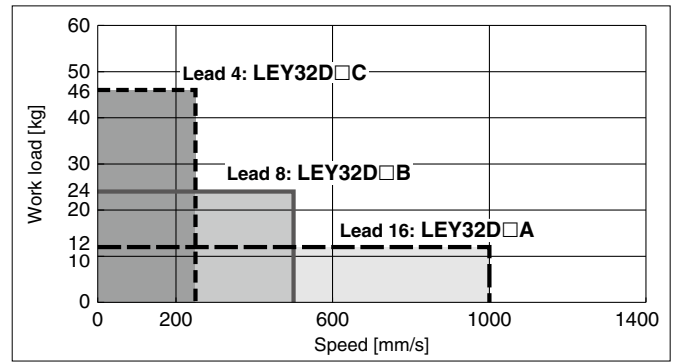
### LEY25□ (Motor mounting position: Parallel/In-line)



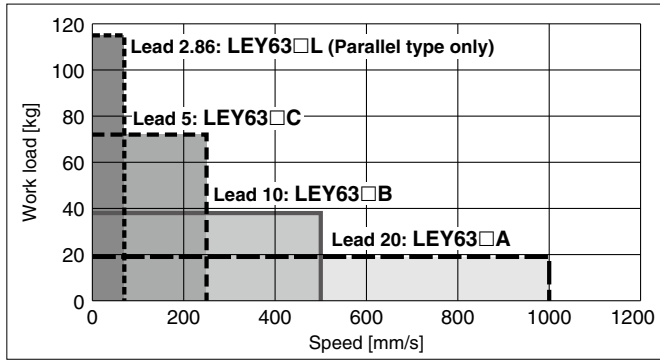
### LEY32□ (Motor mounting position: Parallel)



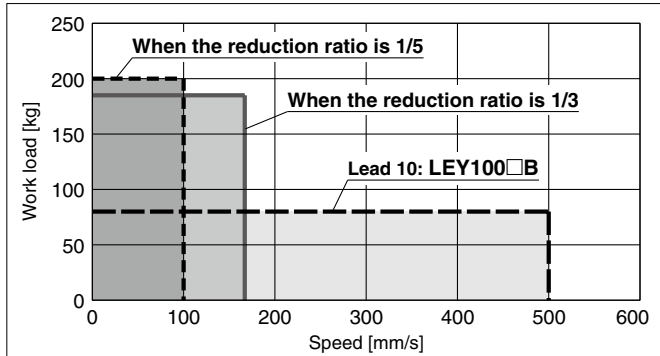
### LEY32D (Motor mounting position: In-line)



### LEY63□ (Motor mounting position: Parallel/In-line)



### LEY100□ (Motor mounting position: Parallel/In-line)



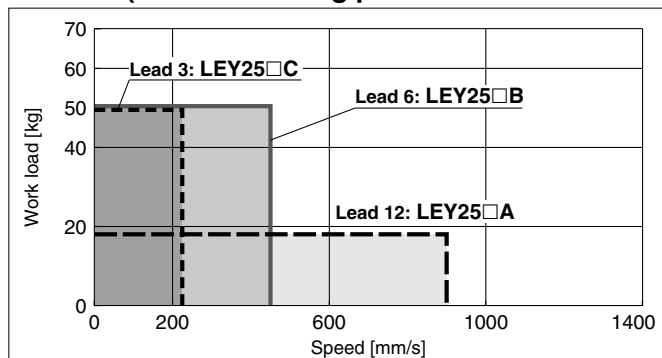
\* Each value is the value when a reducer is built into the product.

\* The values shown below are allowable values of the actuator body. Do not use the actuator so that it exceeds these specification ranges.

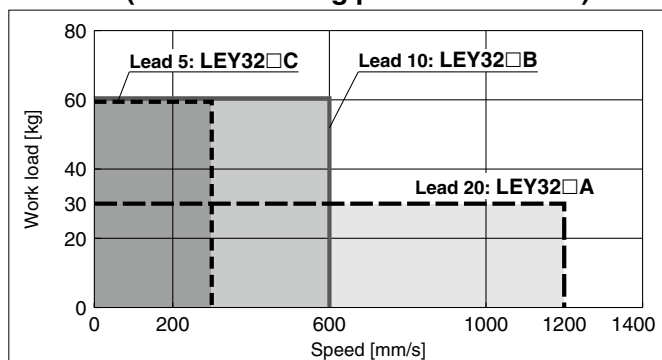
\* The allowable speed is restricted depending on the stroke. Select it by referring to the "Allowable Stroke Speed."

## Speed–Horizontal Work Load Graph

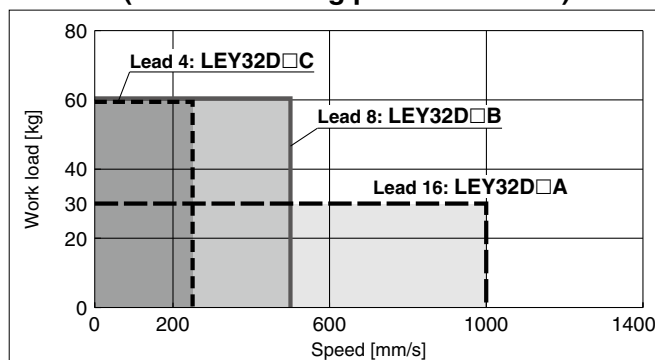
### LEY25□ (Motor mounting position: Parallel/In-line)



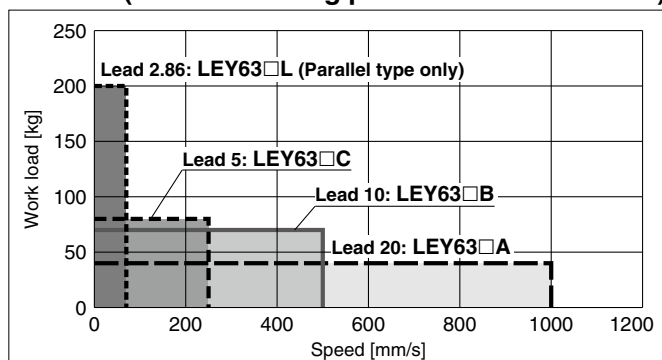
### LEY32□ (Motor mounting position: Parallel)



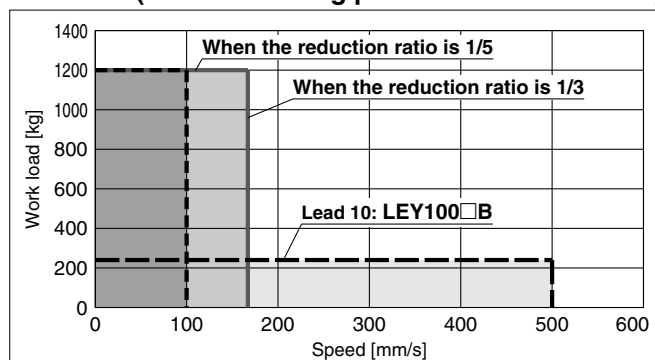
### LEY32D (Motor mounting position: In-line)



### LEY63□ (Motor mounting position: Parallel/In-line)



### LEY100□ (Motor mounting position: Parallel/In-line)



\* Each value is the value when a reducer is built into the product.

## Allowable Stroke Speed

Model	Motor	Lead		Stroke [mm]									
		Symbol	[mm]	Up to 100	Up to 200	Up to 300	Up to 400	Up to 500	Up to 600	Up to 700	Up to 800	Up to 900	Up to 1000
LEY25□ (Motor mounting position: Parallel/In-line)	100 W equivalent	A	12		900		600	—	—	—	—	—	—
		B	6		450		300	—	—	—	—	—	—
		C	3		225		150	—	—	—	—	—	—
		(Motor rotation speed)			(4500 rpm)		(3000 rpm)	—	—	—	—	—	—
LEY32□ (Motor mounting position: Parallel)	200 W equivalent	A	20			1200		800	—	—	—	—	—
		B	10			600		400	—	—	—	—	—
		C	5			300		200	—	—	—	—	—
		(Motor rotation speed)				(3600 rpm)		(2400 rpm)	—	—	—	—	—
LEY32D (Motor mounting position: In-line)	200 W equivalent	A	16			1000		640	—	—	—	—	—
		B	8			500		320	—	—	—	—	—
		C	4			250		160	—	—	—	—	—
		(Motor rotation speed)				(3750 rpm)		(2400 rpm)	—	—	—	—	—
LEY63□ (Motor mounting position: Parallel/In-line)	400 W equivalent	A	20			1000		800	600	500	—	—	—
		B	10			500		400	300	250	—	—	—
		C	5			250		200	150	125	—	—	—
		(Motor rotation speed)					(3000 rpm)		(2400 rpm)	(1800 rpm)	(1500 rpm)	—	—
		L	2.86*1				70		—	—	—	—	—
(Motor rotation speed)						(1470 rpm)	—	—	—	—	—		
LEY100□ (Motor mounting position: Parallel/In-line)	750 W equivalent	B	10			500		370	285	225	180	150	
		*2	3.3			167		123	95	75	60	50	
		*3	2			100		74	57	45	36	30	
		(Motor rotation speed)					(3000 rpm)		(2225 rpm)	(1708 rpm)	(1353 rpm)	(1098 rpm)	(908 rpm)

\*1 Equivalent lead which includes the screw lead 5 and the pulley ratio 4:7 \*2 Value when a reducer (reduction ratio 1/3) is built into the product \*3 Value when a reducer (reduction ratio 1/5) is built into the product

# LEY Series

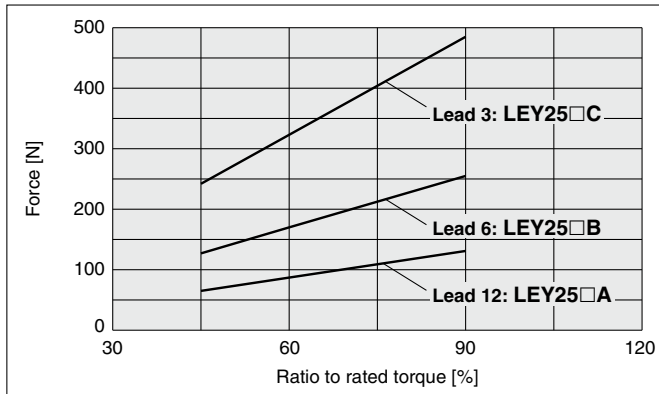
Motorless Type

Size 25, 32, 63, 100

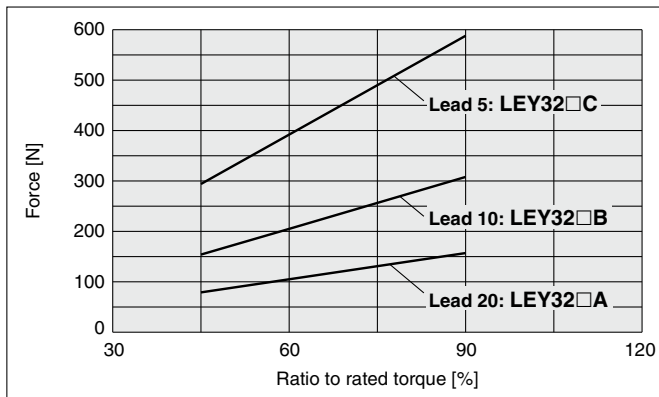
## Force Conversion Graph (Guide)

\* These graphs show an example of when the standard motor is mounted. Calculate the force based on used motor and driver.

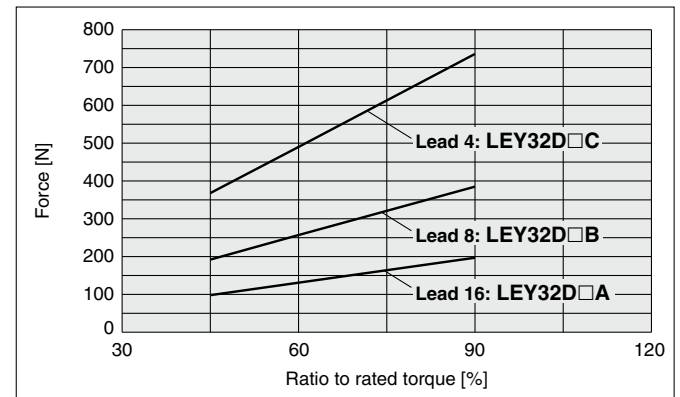
### LEY25□ (Motor mounting position: Parallel/In-line)



### LEY32□ (Motor mounting position: Parallel)

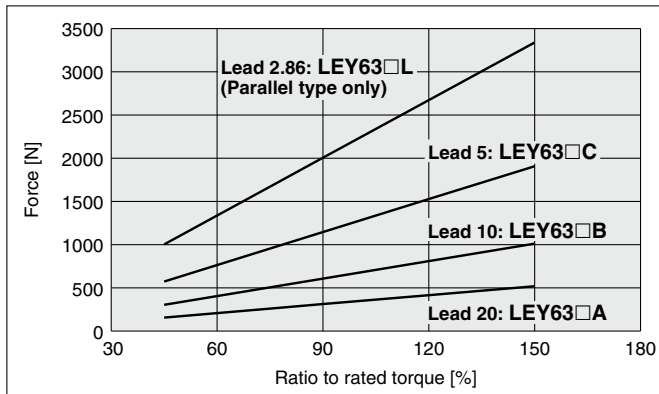


### LEY32D□ (Motor mounting position: In-line)

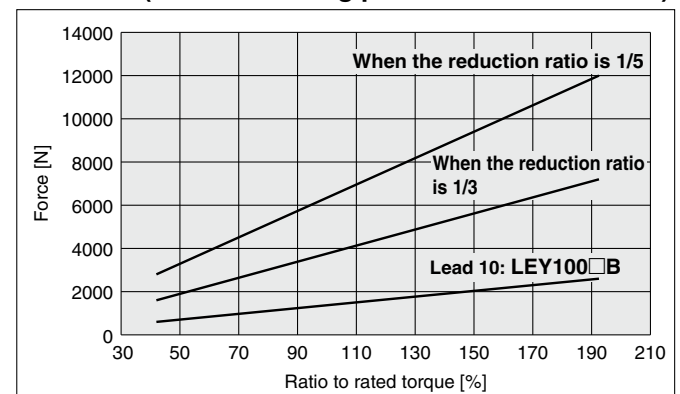


\* When using the force control or speed control, set the maximum value to be no more than 90% of the rated torque.

### LEY63□ (Motor mounting position: Parallel/In-line)

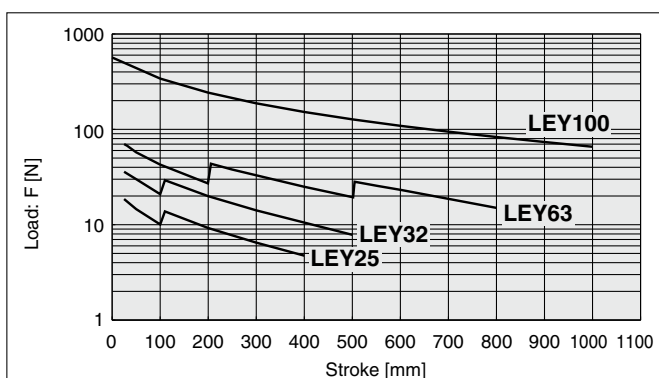


### LEY100□ (Motor mounting position: Parallel/In-line)

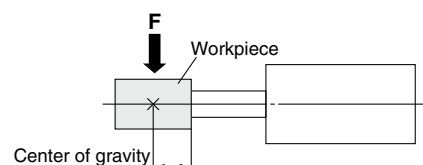


\* Each value is the value when a reducer is built into the product.

## Graph of Allowable Lateral Load on the Rod End (Guide)



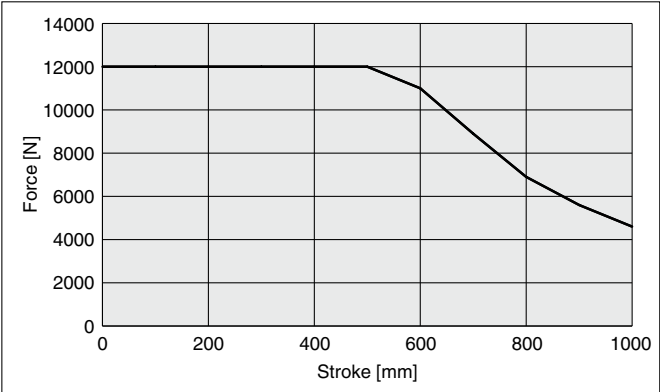
[Stroke] = [Product stroke] + [Distance from the rod end to the center of gravity of the workpiece]



### Force–Stroke Graph

\* The values shown below are allowable values of the actuator body.  
Do not use the actuator so that it exceeds these specification ranges.

LEY100□ (Motor mounting position: Parallel/In-line)



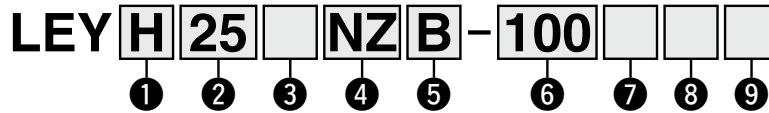
Model Selection
LEKFS
LEFS
LEFB
LEJS
LET-X11
LEY
LEYG
LESYH
Motor Mounting

# Electric Actuator Rod Type

## LEY Series LEY25, 32, 63



### How to Order



#### ① Accuracy

<b>Nil</b>	Basic type
<b>H</b>	High-precision type

#### ② Size

<b>25</b>
<b>32</b>
<b>63</b>

#### ④ Mounting type

<b>NZ</b>	<b>NU</b>
<b>NY</b>	<b>NT</b>
<b>NX</b>	<b>NM1</b>
<b>NW</b>	<b>NM2</b>
<b>NV</b>	<b>NM3</b>

#### ⑤ Lead [mm]

Symbol	LEY25	LEY32	LEY63
<b>A</b>	12	16 (20)	20
<b>B</b>	6	8 (10)	10
<b>C</b>	3	4 (5)	5
<b>L</b>	—	—	2.86*1

#### ⑥ Stroke [mm]

<b>30</b>	30
<b>to</b>	to
<b>800</b>	800

\* Refer to the applicable stroke table.

#### ③ Motor mounting position

<b>Nil</b>	Top side parallel
<b>R</b>	Right side parallel
<b>L</b>	Left side parallel
<b>D</b>	In-line

#### ⑧ Rod end thread

<b>Nil</b>	Rod end female thread
<b>M</b>	Rod end male thread (1 rod end nut is included.)

#### ⑦ Dust-tight/Water-jet-proof <Only available for LEY63>

Symbol	LEY25/32	LEY63
<b>Nil</b>	IP4x equivalent	IP5x equivalent (Dust protected)
<b>P</b>	—	IP65 equivalent (Dust-tight/Water-jet-proof)/With vent hole tap

- \* When using the dust-tight/water-jet-proof (IP65 equivalent), correctly mount the fitting and tubing to the vent hole tap, and then place the end of the tubing in an area not exposed to dust or water.
- \* The fitting and tubing should be provided separately by the customer. Select [Applicable tubing O.D.: ø4 or more, Connection thread: Rc1/8].
- \* Cannot be used in environments exposed to cutting oil, etc. Take appropriate protective measures.
- \* For details on enclosure, refer to the "Enclosure" on pages 193 and 194.

#### Applicable Stroke Table

Stroke [mm]	30	50	100	150	200	250	300	350	400	450	500	600	700	800	Manufacturable stroke range
<b>LEY25</b>	●	●	●	●	●	●	●	●	●	—	—	—	—	—	15 to 400
<b>LEY32</b>	●	●	●	●	●	●	●	●	●	●	●	—	—	—	20 to 500
<b>LEY63</b>	—	●	●	●	●	●	●	●	●	●	●	●	●	●	50 to 800

\* Please contact SMC for non-standard strokes as they are produced as special orders.

#### ⑨ Mounting\*1

Symbol	Type	Motor mounting position	
		Parallel	In-line
<b>Nil</b>	Ends tapped/Body bottom tapped*2	●	●
<b>L</b>	Foot	●	—
<b>F</b>	Rod flange*2	●*4	●
<b>G</b>	Head flange*2	●*5	—
<b>D</b>	Double clevis*3	●	—

- \*1 The mounting bracket is shipped together with the product but does not come assembled.
- \*2 For the horizontal cantilever mounting with the ends tapped, rod flange, or head flange types, use the actuator within the following stroke range.
  - LEY25: 200 mm or less, LEY32: 100 mm or less, LEY63: 400 mm or less
- \*3 For the mounting with the double clevis type, use the actuator within the following stroke range.
  - LEY25: 200 mm or less, LEY32: 200 mm or less
- \*4 If the stroke of the LEY25 is 30 mm or less, the rod flange may interfere with the motor.
- \*5 The head flange type is not available for the in-line type and the LEY32/63.

#### Compatible Motors and Mounting Types\*4

Applicable motor model		Size/Mounting type																					
Manufacturer	Series	25						32						63									
		NZ	NY	NX	NM1	NM2	NM3	NZ	NY	NX	NW	NV	NU	NT	NM1	NM2	NZ	NY	NX	NW	NV	NU	NT
Mitsubishi Electric Corporation	MELSERVO JN/J4/J5	●	—	—	—	—	—	●	—	—	—	—	—	—	—	—	●	—	—	—	—	—	—
YASKAWA Electric Corporation	Σ-V7/X	●*3	—	—	—	—	—	●	—	—	—	—	—	—	—	—	●	—	—	—	—	—	—
SANYO DENKI CO., LTD.	SANMOTION R	●	—	—	—	—	—	●	—	—	—	—	—	—	—	—	●	—	—	—	—	—	—
OMRON Corporation	OMNUC G5/1S	●	—	—	—	—	—	●	—	—	—	—	—	—	—	—	●	—	—	—	—	—	—
Panasonic Corporation	MINAS A5/A6	● (MHMF only)	●	—	—	—	—	—	●	—	—	—	—	—	—	—	—	●	—	—	—	—	—
FANUC CORPORATION	βis (-B)	●	—	—	—	—	—	● (β1 only)	—	—	—	—	—	—	—	—	● (β1 only)	—	—	—	●	—	—
NIDEC SANKYO CORPORATION	S-FLAG	●	—	—	—	—	—	●	—	—	—	—	—	—	—	—	●	—	—	—	—	—	—
KEYENCE CORPORATION	SV/SV2	●*3	—	—	—	—	—	●	—	—	—	—	—	—	—	—	●	—	—	—	—	—	—
FUJI ELECTRIC CO., LTD.	ALPHA7	●	—	—	—	—	—	●	—	—	—	—	—	—	—	—	●	—	—	—	—	—	—
MinebeaMitsumi Inc.	Hybrid stepping motors	—	—	—	—	—	—	●*1	—	—	—	—	—	—	—	—	—	—	—	—	—	—	—
Shinano Kenshi Co., Ltd.	CSB-BZ	—	—	—	—	—	—	●*1	—	—	—	—	—	—	—	—	—	—	—	—	—	—	—
ORIENTAL MOTOR Co., Ltd.	α STEP AR/AZ	—	—	—	—	—	—	—	—	—	—	—	—	—	—	—	—	—	—	—	—	—	—
FASTECH Co., Ltd.	Ezi-SERVO	—	—	—	—	—	—	—	—	—	—	—	—	—	—	—	—	—	—	—	—	—	—
Rockwell Automation, Inc. (Allen-Bradley)	Kinetix MP/VP/TL	● (TL only)	—	—	—	—	—	—	—	—	—	—	—	—	—	—	—	—	—	—	—	—	—
Beckhoff Automation GmbH	AM 30/31/80/81	●	—	—	—	—	—	—	—	—	—	—	—	—	—	—	—	—	—	—	—	—	—
Siemens AG	SIMOTICS S-1FK7	—	—	—	—	—	—	—	—	—	—	—	—	—	—	—	—	—	—	—	—	—	—
Delta Electronics, Inc.	ASDA-A2	●	—	—	—	—	—	—	—	—	—	—	—	—	—	—	—	—	—	—	—	—	—
ANCA Motion	AMD2000	●	—	—	—	—	—	—	—	—	—	—	—	—	—	—	—	—	—	—	—	—	—

- \*1 Motor mounting position: In-line only \*2 Motor mounting position: Parallel only
- \*3 For some motors, the connector may protrude from the motor body. Be sure to check for interference with the mounting surface before selecting a motor.
- \*4 The compatible motors and mounting types are typical examples. Select the mounting type after referring to the "Motor Mounting, Applicable Motor Dimensions" tables on the following "Dimensions" pages.

For auto switches, refer to pages 189 to 192.

## Specifications

- Values in this specifications table are the allowable values of the actuator body with the standard motor mounted.
- Do not use the actuator so that it exceeds these values.

Model		LEY25 (Parallel) LEY25D (In-line)				LEY32 (Parallel)				LEY32D (In-line)		
Actuator specifications	Work load [kg]	Horizontal*1	18	50	50	30	60	60	30	60	60	
		Vertical	8	16	30	9	19	37	12	24	46	
	Force [N]*2 (Set value: Rated torque 45 to 90%)		65 to 131	127 to 255	242 to 485	79 to 157	154 to 308	294 to 588	98 to 197	192 to 385	368 to 736	
	Max.*3 speed [mm/s]	Stroke range	Up to 300	900	450	225	1200	600	300	1000	500	250
			305 to 400	600	300	150						
			405 to 500	—	—	—	800	400	200	640	320	160
	Pushing speed [mm/s]*4		35 or less				30 or less					
	Max. acceleration/deceleration [mm/s <sup>2</sup> ]		5000									
	Positioning repeatability [mm]	Basic type		±0.02								
		High-precision type		±0.01								
	Lost motion*5 [mm]	Basic type		0.1 or less								
		High-precision type		0.05 or less								
	Ball screw specifications	Thread size [mm]		ø10				ø12				
		Lead [mm] *9 (including pulley ratio 1.25:1)	12	6	3	16	8	4	16	8	4	
Shaft length [mm]			Stroke + 93.5				Stroke + 104.5					
Impact/Vibration resistance [m/s <sup>2</sup> ]*6		50/20										
Actuation type		Ball screw + Belt (Parallel) Ball screw (In-line)				Ball screw + Belt [Pulley ratio 1.25:1]			Ball screw			
Guide type		Sliding bushing (Piston rod)										
Operating temperature range [°C]		5 to 40										
Operating humidity range [%RH]		90 or less (No condensation)										
Enclosure		IP40 (Excludes motor mounting part)										
*Other specifications	Actuation unit weight [kg] (* [ST]: Stroke)		0.15 + (0.69 × 10 <sup>-3</sup> ) × [ST]: 100 st or less 0.16 + (0.69 × 10 <sup>-3</sup> ) × [ST]: Over 100 st				0.24 + (1.40 × 10 <sup>-3</sup> ) × [ST]: 100 st or less 0.28 + (1.40 × 10 <sup>-3</sup> ) × [ST]: Over 100 st					
	Other inertia [kg·cm <sup>2</sup> ]		0.012 (LEY25), 0.015 (LEY25D)				0.035 (LEY32), 0.061 (LEY32D)					
	Friction coefficient		0.05									
	Mechanical efficiency		0.8									
Reference motor spec. *8	Motor type		AC servo motor									
	Rated output capacity [W]		100				200					
	Rated torque [N·m]		0.32				0.64					

- \*1 This is the maximum value of the horizontal work load. An external guide is necessary to support the load (Friction coefficient of guide: 0.1 or less). The actual work load changes according to the condition of the external guide. Confirm the load using the actual device.
- \*2 The force setting range for the force control (Speed control mode, Torque control mode)  
The force changes according to the set value. Set it with reference to the "Force Conversion Graph (Guide)" on page 151.
- \*3 The allowable speed changes according to the stroke.
- \*4 The allowable collision speed for collision with the workpiece
- \*5 A reference value for correcting errors in reciprocal operation

- \*6 Impact resistance: No malfunction occurred when the actuator was tested with a drop tester in both an axial direction and a perpendicular direction to the lead screw. (The test was performed with the actuator in the initial state.)  
Vibration resistance: No malfunction occurred in a test ranging between 45 to 2000 Hz. The test was performed in both an axial direction and a perpendicular direction to the lead screw. (The test was performed with the actuator in the initial state.)
- \*7 Each value is only to be used as a guide to select a motor of the appropriate capacity.
- \*8 For other specifications, refer to the specifications of the motor that is to be installed.

## Weight

### Product Weight

Series	LEY25 (Motor mounting position: Parallel)										LEY32 (Motor mounting position: Parallel)									
Stroke [mm]	30	50	100	150	200	250	300	350	400	30	50	100	150	200	250	300	350	400	450	500
Product weight [kg]	0.8	0.9	1.1	1.3	1.5	1.7	1.8	2.0	2.2	1.4	1.5	1.8	2.3	2.6	2.9	3.1	3.4	3.7	4.0	4.3

Series	LEY25D (Motor mounting position: In-line)										LEY32D (Motor mounting position: In-line)									
Stroke [mm]	30	50	100	150	200	250	300	350	400	30	50	100	150	200	250	300	350	400	450	500
Product weight [kg]	0.8	0.9	1.1	1.3	1.5	1.7	1.9	2.0	2.2	1.4	1.6	1.8	2.3	2.6	2.9	3.2	3.4	3.7	4.0	4.3

### Additional Weight

Size		25	32
Rod end male thread	Male thread	0.03	0.03
	Nut	0.02	0.02
Foot bracket (2 sets including mounting bolt)		0.08	0.14
Rod flange (including mounting bolt)		0.17	0.20
Head flange (including mounting bolt)			
Double clevis (including pin, retaining ring, and mounting bolt)		0.16	0.22

Model Selection

LEKFS

LEFS

LEFB

LEJS

LET-X11

LEY

LEYG

LESYH

Motor Mounting

## Specifications

- Values in this specifications table are the allowable values of the actuator body with the standard motor mounted.
- Do not use the actuator so that it exceeds these values.

Model		LEY63D (In-line)					LEY63 (Parallel)			
Work load [kg]	Horizontal*1	40	70	80	40	70	80	200		
	Vertical	19	38	72	19	38	72	115		
Force [N]*2 (Set value: Rated torque 45 to 150%)		156 to 521	304 to 1012	573 to 1910	156 to 521	304 to 1012	573 to 1910	1003 to 3343		
Max.*3 speed [mm/s]	Stroke range	Up to 500	1000	500	250	1000	500	250	70	
		505 to 600	800	400	200	800	400	200		
		605 to 700	600	300	150	600	300	150		
		705 to 800	500	250	125	500	250	125		
Pushing speed [mm/s]*4		30 or less								
Max. acceleration/deceleration [mm/s <sup>2</sup> ]		5000							3000	
Positioning repeatability [mm]	Basic type	±0.02								
	High-precision type	±0.01								
Lost motion*5 [mm]	Basic type	0.1 or less								
	High-precision type	0.05 or less								
Ball screw specifications	Thread size [mm]	ø20								
	Lead [mm]	20	10	5	20	10	5	5 (2.86)		
	Shaft length [mm]	Stroke + 147								
Impact/Vibration resistance [m/s <sup>2</sup> ]*6		50/20								
Actuation type		Ball screw			Ball screw + Belt [Pulley ratio 1:1]			Ball screw + Belt [Pulley ratio 4:7]		
Guide type		Sliding bushing (Piston rod)								
Operating temperature range [°C]		5 to 40								
Operating humidity range [%RH]		90 or less (No condensation)								
Enclosure		IP40 (Excludes motor mounting part)								
*Other specifications	Actuation unit weight [kg] (* [ST]: Stroke)	0.84 + (2.77 × 10 <sup>-3</sup> ) × [ST]: 200 st or less 0.94 + (2.77 × 10 <sup>-3</sup> ) × [ST]: Over 200 st, 500 st or less 1.03 + (2.77 × 10 <sup>-3</sup> ) × [ST]: Over 500 st								
	Other inertia [kg·cm <sup>2</sup> ]	0.056 (LEY63D)			0.110		0.053			
	Friction coefficient	0.05								
	Mechanical efficiency	0.8								
*Reference motor spec.	Motor type	AC servo motor								
	Rated output capacity [W]	400								
	Rated torque [N·m]	1.27								

- \*1 This is the maximum value of the horizontal work load. An external guide is necessary to support the load (Friction coefficient of guide: 0.1 or less). The actual work load changes according to the condition of the external guide. Confirm the load using the actual device.
- \*2 The force setting range for the force control (Speed control mode, Torque control mode)  
The force changes according to the set value. Set it with reference to the "Force Conversion Graph (Guide)" on page 151.
- \*3 The allowable speed changes according to the stroke.
- \*4 The allowable collision speed for collision with the workpiece
- \*5 A reference value for correcting errors in reciprocal operation

- \*6 Impact resistance: No malfunction occurred when the actuator was tested with a drop tester in both an axial direction and a perpendicular direction to the lead screw. (The test was performed with the actuator in the initial state.)  
Vibration resistance: No malfunction occurred in a test ranging between 45 to 2000 Hz. The test was performed in both an axial direction and a perpendicular direction to the lead screw. (The test was performed with the actuator in the initial state.)
- \*7 Each value is only to be used as a guide to select a motor of the appropriate capacity.
- \*8 For other specifications, refer to the specifications of the motor that is to be installed.

## Weight

### Product Weight

Model	LEY63D (Motor mounting position: In-line)												
Stroke [mm]	50	100	150	200	250	300	350	400	450	500	600	700	800
Product weight [kg]	3.7	4.2	4.8	5.3	6.5	7.0	7.6	8.2	8.8	9.3	11.0	12.1	13.3

Model	LEY63 (Motor mounting position: Parallel)												
Stroke [mm]	50	100	150	200	250	300	350	400	450	500	600	700	800
Product weight [kg]	3.5	4.0	4.7	5.2	6.4	6.9	7.5	8.0	8.6	9.1	10.8	12.0	13.1

### Additional Weight

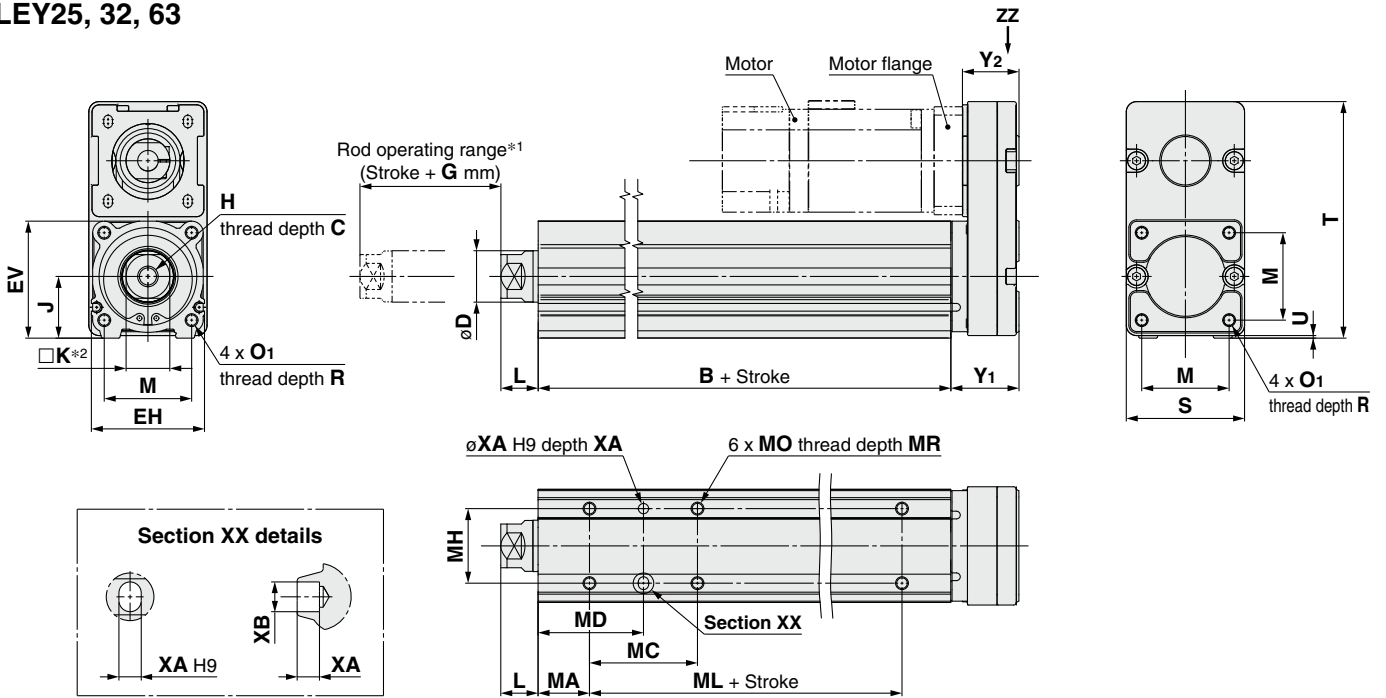
Size		63
Rod end male thread	Male thread	0.12
	Nut	0.04
Rod flange (including mounting bolt)		0.51
Foot bracket (2 sets including mounting bolt)		0.26
Double clevis (including pin, retaining ring, and mounting bolt)		0.58



Refer to the "Motor Mounting" on pages 177 and 178 for details about motor mounting and included parts.

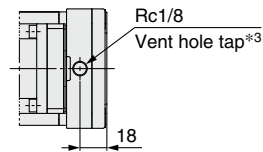
**Dimensions: Top/Right/Left Side Parallel Motor**

**LEY25, 32, 63**



- \*1 Do not allow collisions at either end of the rod operating range at a speed exceeding "pushing speed." Additionally, when running the positioning operation, do not set within 2 mm of both ends for size 25, 32, and do not set within 4 mm of both ends for size 63.
- \*2 The direction of rod end width across flats (□K) differs depending on the products.

**IP65 equivalent (Dust-tight/Water-jet-proof):  
LEY63□□□-□P (View ZZ)**



- \*3 When using the dust-tight/water-jet-proof (IP65 equivalent), correctly mount the fitting and tubing to the vent hole tap, and then place the end of the tubing in an area not exposed to dust or water. The fitting and tubing should be provided separately by the customer. Select [Applicable tubing O.D.: ø4 or more, Connection thread: Rc1/8].

**Dimensions**

Size	Stroke range [mm]	B	C	D	EH	EV	H	J	K	L	M	O <sub>1</sub>	R	S	T	U	Y <sub>1</sub>	Y <sub>2</sub>	G
25	30 to 100	89.5	13	20	44	45.5	M8 x 1.25	24	17	12.5	34	M5 x 0.8	8	46	92	1	26.5	22	4
	105 to 400	114.5																	
32	20 to 100	96	13	25	51	56.5	M8 x 1.25	31	22	16.5	40	M6 x 1.0	10	60	118	1	34	27	4
	105 to 500	126																	
63	50 to 200	123	21	40	76	82	M16 x 2	44	36	33.4	60	M8 x 1.25	16	80	146	4	32.2	29	8
	205 to 500	158																	
	505 to 800	193																	

\* The L measurement is when the unit is at the retracted stroke end position.

Size	Stroke range [mm]	MA	MC	MD	MH	ML	MO	MR	XA	XB
25	30 to 35		24	32						
	40 to 100		42	41		50	M5 x 0.8	6.5	4	5
	105 to 120	20	59	49.5	29	75				
	125 to 200		76	58						
205 to 400		22	36							
32	30 to 35		22	36		50	M6 x 1	8.5	5	6
	40 to 100	25	36	43	30	80				
	105 to 120		53	51.5						
	125 to 200		70	60						
63	205 to 500		70	60						
	50 to 70		24	50		65	M8 x 1.25	10	6	7
	75 to 120		45	60.5	44	100				
	125 to 200	38	58	67		135				
	205 to 500		86	81						
505 to 800										

# LEY Series

Motorless Type

Size 25, 32, 63

Refer to the "Motor Mounting" on pages 177 and 178 for details about motor mounting and included parts.

## Dimensions: Top/Right/Left Side Parallel Motor

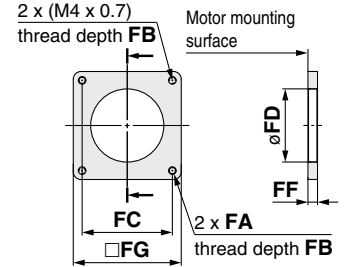
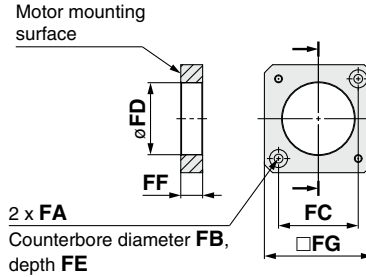
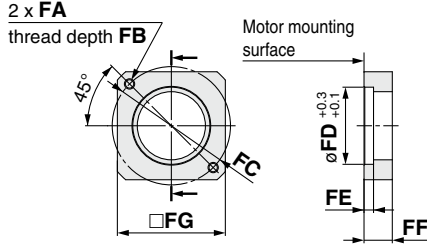
### Motor flange dimensions

LEY25: NZ, NY, NX

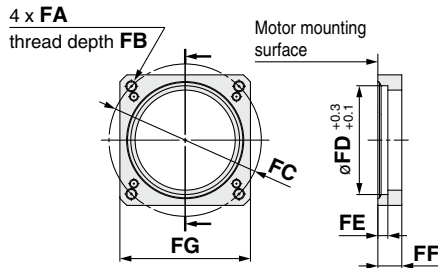
LEY32: NZ, NY, NW, NU, NT

LEY25: NM1, NM2, NM3

LEY32: NM1, NM2



LEY63: NZ, NY, NW, NT



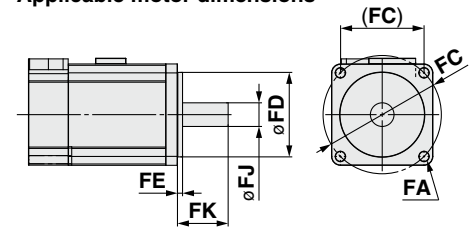
### Motor Mounting, Applicable Motor Dimensions

[mm]

Size	Mounting type	FA		FB	FC	FD	FE (Max.)	FF	FG	FJ	FK
		Mounting type	Applicable motor								
25	NZ	M4 x 0.7	ø4.5	7.5	ø46	30	3.7	11	42	8	25 ±1
	NY	M3 x 0.5	ø3.4	5.5	ø45	30	5	11	38	8	25 ±1
	NX	M4 x 0.7	ø4.5	7	ø46	30	3.7	8	42	8	18 ±1
	NM1	ø3.4	M3	7	□31	28	3.5	8.5	42	5*1	24 ±1
	NM2	ø3.4	M3	7	□31	28	3.5	8.5	42	6	20 ±1
32	NZ	M5 x 0.8	ø5.5	8.5	ø70	50	4.6	13	60	14	30 ±1
	NY	M4 x 0.7	ø4.5	7	ø70	50	4.6	13	60	11	30 ±1
	NW	M5 x 0.8	ø5.5	8.5	ø70	50	4.6	13	60	9	25 ±1
	NU	M5 x 0.8	ø5.5	8.5	ø70	50	4.6	13	60	11	23 ±1
	NT	M5 x 0.8	ø5.5	8.5	ø70	50	4.6	17	60	12	30 ±1
	NM1	M4 x 0.7	ø4.5	(5) □47.1	38.1	—	5	56.4	6.35*1	—	20 ±1
63	NM2	M4 x 0.7	ø4.5	8	□50	38.1	—	11.5	60	10	24 ±1
	NZ	M5 x 0.8	ø5.5	8.5	ø70	50	4.6	11	60	14	30 ±1
	NW	M5 x 0.8	ø5.5	8.5	ø70	50	4.6	11	60	9	25 ±1
	NY	M4 x 0.7	ø4.5	8	ø70	50	4.6	11	60	14	30 ±1
63	NT	M5 x 0.8	ø5.5	8.5	ø70	50	4.6	14.5	60	12	30 ±1

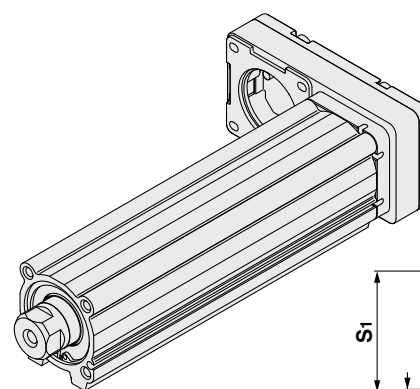
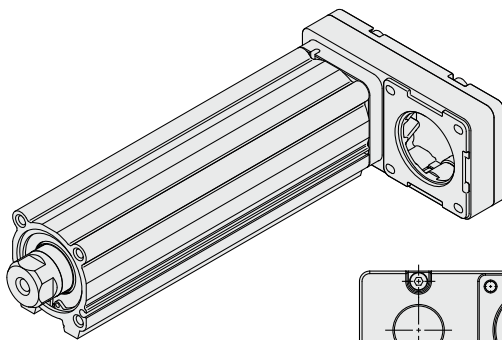
\*1 Shaft type: D-cut shaft

### Applicable motor dimensions

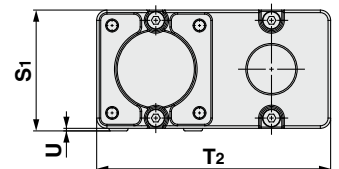
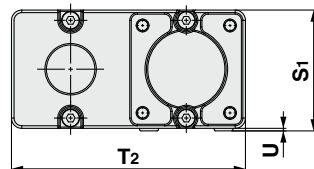


Left side parallel motor type: LEY32L  
25  
63

Right side parallel motor type: LEY32R  
25  
63



Size	S1	T2	U
25	47	91	1
32	61	117	1
63	84	142	4

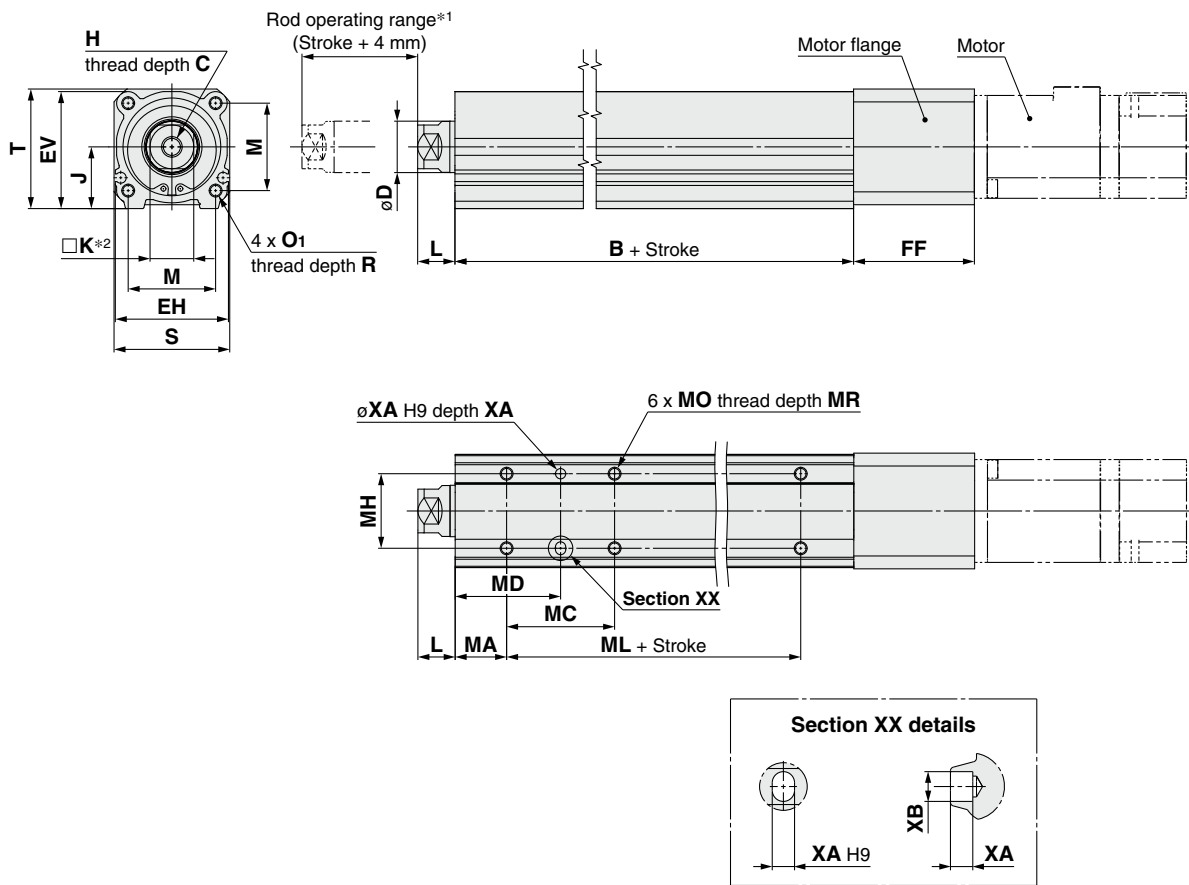


\* When the motor is mounted on the left or right side in parallel, the groove for auto switch on the side to which the motor is mounted is hidden.

Refer to the "Motor Mounting" on page 181 for details about motor mounting and included parts.

**Dimensions: In-line Motor**

**LEY25, 32**



\*1 Do not allow collisions at either end of the rod operating range at a speed exceeding "pushing speed." Additionally, when running the positioning operation, do not set within 2 mm of both ends.  
\*2 The direction of rod end width across flats (□K) differs depending on the products.

**Dimensions**

Size	Stroke range [mm]	B	C	D	EH	EV	H	J	K	L	M	O <sub>1</sub>	R	S	T	U
25	30 to 100	89.5	13	20	44	45.5	M8 x 1.25	24	17	12.5	34	M5 x 0.8	8	45	46.5	1.5
	105 to 400	114.5														
32	30 to 100	96	13	25	51	56.5	M8 x 1.25	31	22	16.5	40	M6 x 1.0	10	60	61	1
	105 to 500	126														

\* The L measurement is when the unit is at the retracted stroke end position.

Size	Stroke range [mm]	MA	MC	MD	MH	ML	MO	MR	XA	XB
25	30 to 35	20	24	32	29	50	M5 x 0.8	6.5	4	5
	40 to 100		42	41		75				
	105 to 120		59	49.5						
	125 to 200		76	58						
	205 to 400		76	58						
32	30 to 35	25	22	36	30	50	M6 x 1.0	8.5	5	6
	40 to 100		36	43		80				
	105 to 120		53	51.5						
	125 to 200		70	60						
	205 to 500		70	60						

Model Selection

LEKFS

LEFS

LEFB

LEJS

LET-X11

LEY

LEYG

LESYH

Motor Mounting

# LEY Series

Motorless Type

Size 25, 32

Refer to the "Motor Mounting" on page 181 for details about motor mounting and included parts.

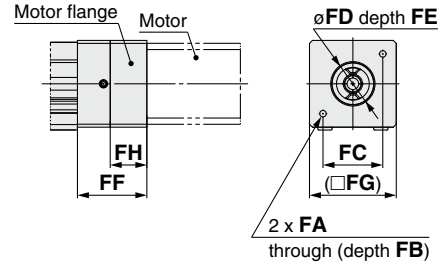
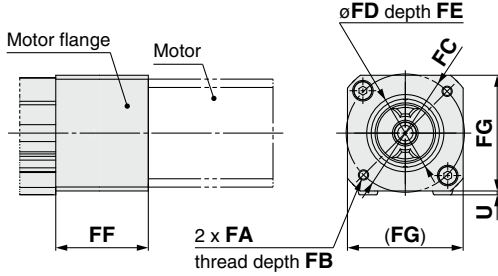
## Dimensions: In-line Motor

### Motor flange dimensions

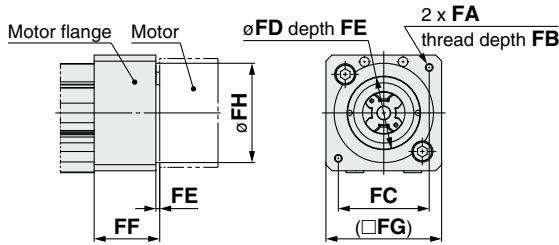
LEY25: NZ, NY, NX

LEY32: NZ, NY, NX, NW, NV, NU, NT

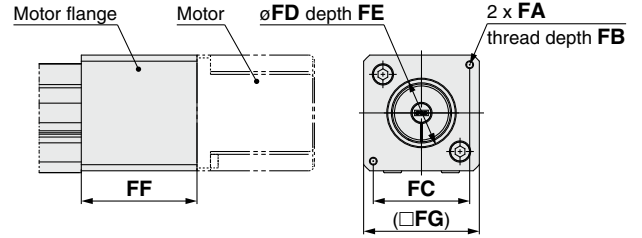
LEY25: NM1, NM2



LEY32: NM1



LEY32: NM2



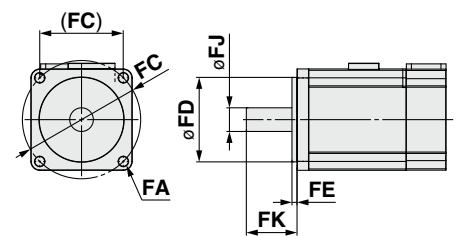
### Motor Mounting, Applicable Motor Dimensions

[mm]

Size	Mounting type	FA		FB	FC	FD	FE (Max.)	FF	FG	FH	FJ	FK
		Mounting type	Applicable motor									
25	NZ	M4 x 0.7	ø4.5	7.5	ø46	30	3.7	47	45	—	8	25 ±1
	NY	M3 x 0.5	ø3.4	6	ø45	30	4	47	45	—	8	25 ±1
	NX	M4 x 0.7	ø4.5	7.5	ø46	30	3.7	47	45	—	8	18 ±1
	NM1	ø3.4	M3	17	□31	22	2.5	36	45	19	5*1	18 to 25
	NM2	ø3.4	M3	28	□31	22	2.5	47	45	30	6	20 ±1
32	NZ	M5 x 0.8	ø5.8	8.5	ø70	50	3.3	60	60	—	14	30 ±1
	NY	M4 x 0.7	ø4.5	8	ø70	50	3.3	60	60	—	11	30 ±1
	NX	M5 x 0.8	ø5.8	8.5	ø63	40	3.5	63	60	—	9	20 ±1
	NW	M5 x 0.8	ø5.8	8.5	ø70	50	3.3	60	60	—	9	25 ±1
	NV	M4 x 0.7	ø4.5	8	ø63	40	3.3	63	60	—	9	20 ±1
	NU	M5 x 0.8	ø5.8	8.5	ø70	50	3.3	60	60	—	11	23 ±1
	NT	M5 x 0.8	ø5.8	8.5	ø70	50	3.3	60	60	—	12	30 ±1
		NM1	M4 x 0.7	ø4.5	9.5	□47.1	38.1	2	34	60	51.5	6.35*1
	NM2	M4 x 0.7	ø4.5	8	□50	36	3.3	60	60	—	10	24 ±1

\*1 Shaft type: D-cut shaft

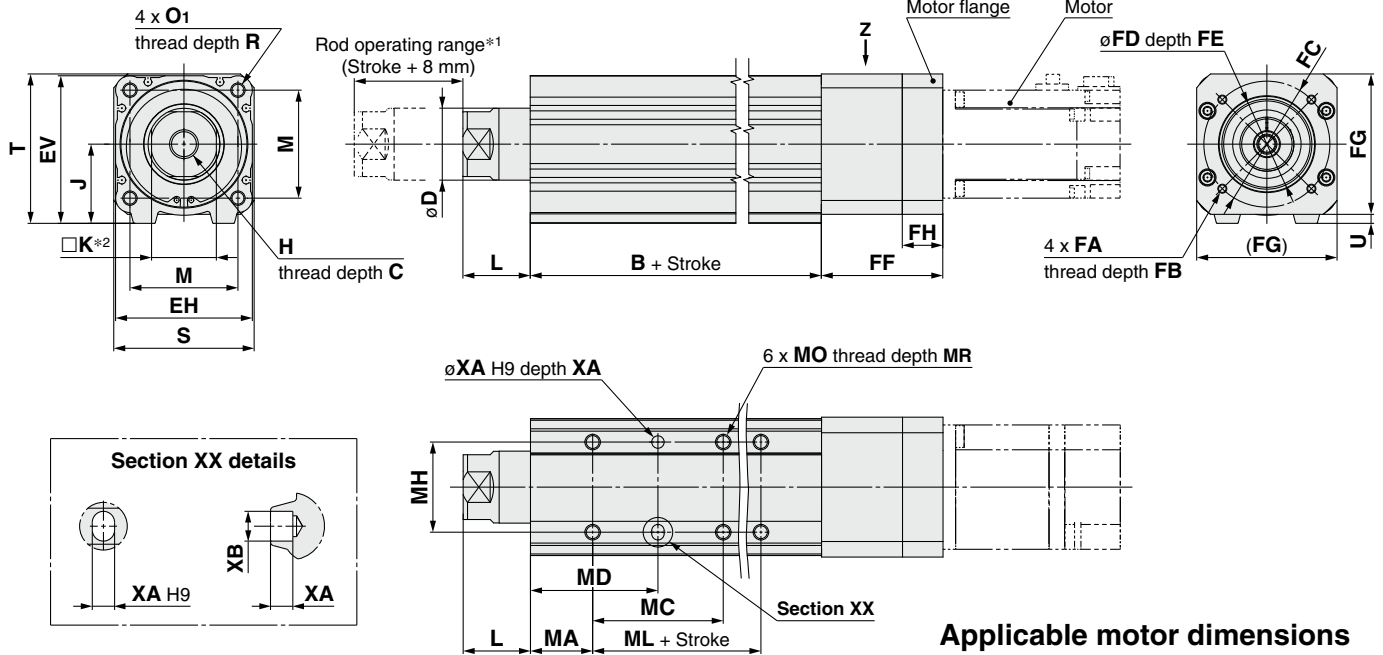
### Applicable motor dimensions



Refer to the "Motor Mounting" on page 182 for details about motor mounting and included parts.

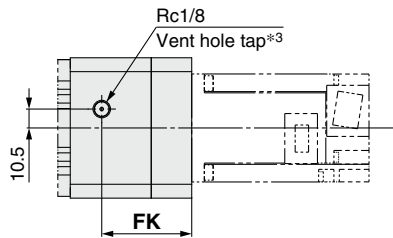
**Dimensions: In-line Motor**

**LEY63**



- \*1 Do not allow collisions at either end of the rod operating range at a speed exceeding "pushing speed." Additionally, when running the positioning operation, do not set within 4 mm of both ends.
- \*2 The direction of rod end width across flats (□K) differs depending on the products.

**IP65 equivalent (Dust-tight/Water-jet-proof): LEY63DN□□-□P (View Z)**



- \*3 When using the dust-tight/water-jet-proof (IP65 equivalent), correctly mount the fitting and tubing to the vent hole tap, and then place the end of the tubing in an area not exposed to dust or water. The fitting and tubing should be provided separately by the customer. Select [Applicable tubing O.D.: ø4 or more, Connection thread: Rc1/8].

**Dimensions**

Size	Stroke range [mm]	B	C	D	EH	EV	H	J	K	L	M	O <sub>1</sub>	R	S	T	U
63	50 to 200	123	21	40	76	82	M16 x 2	44	36	33.4	60	M8 x 1.25	16	78	83	5
	205 to 500	158														
	505 to 800	193														

\* The L measurement is when the unit is at the retracted stroke end position.

Size	Stroke range [mm]	MA	MC	MD	MH	ML	MO	MR	XA	XB	
63	50 to 70	38	24	50	44	65	M8 x 1.25	10	6	7	
	75 to 120		45	60.5							
	125 to 200		58	67							
	205 to 500		86	81							100
	505 to 800										135

**Motor Mounting, Applicable Motor Dimensions**

Size	Mounting type	FA		FB	FC	FD	FE (Max.)	FF	FG	FH	FK	FJ	FL
		Mounting type	Applicable motor										
63	NZ	M5 x 0.8	ø5.5	10	ø70	50	3.5	67.7	78	22.5	50	14	30 ±1
	NY	M4 x 0.7	ø4.5	8	ø70	50	3.5	67.7	78	22.5	50	14	30 ±1
	NX	M5 x 0.8	ø5.5	10	ø63	40	3.5	72.7	78	27.5	55	9	20 ±1
	NW	M5 x 0.8	ø5.5	10	ø70	50	3.5	67.7	78	22.5	50	9	25 ±1
	NV	M4 x 0.7	ø4.5	8	ø63	40	3.5	72.7	78	27.5	55	9	20 ±1
	NU	M5 x 0.8	ø5.5	10	ø70	50	3.5	67.7	78	22.5	50	11	23 ±1
NT	M5 x 0.8	ø5.5	10	ø70	50	3.5	67.7	78	22.5	50	12	30 ±1	

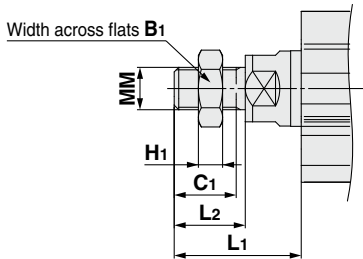
# LEY Series

Motorless Type

Size 25, 32, 63

## Dimensions

Rod end male thread: LEY32□□B-□□M  
 25 A  
 63 C

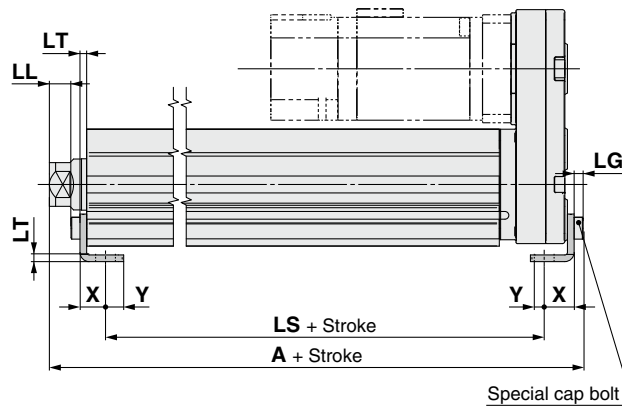
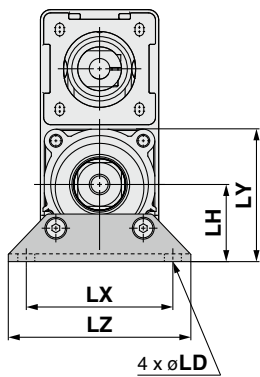


- \* Refer to the **Web Catalog** for details on the rod end nut and mounting bracket.
- \* Refer to the precautions on pages 194 and 195 when mounting end brackets such as knuckle joint or workpieces.

Size	B1	C1	H1	L1	L2	MM
25	22	20.5	8	36	23.5	M14 x 1.5
32	22	20.5	8	40	23.5	M14 x 1.5
63	27	26	11	72.4	39	M18 x 1.5

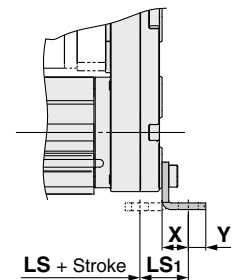
\* The L1 measurement is when the unit is at the retracted stroke end position.

Foot: LEY32□□B-□□□L  
 25 A  
 63 C



Included parts  
 · Foot bracket  
 · Body mounting bolt

### Outward mounting



### Foot

Size	Stroke range [mm]	A	LS	LS <sub>1</sub>	LL	LD	LG	LH	LT	LX	LY	LZ	X	Y
25	30 to 100	134.6	98.8	19.8	6.4	6.6	3.5	30	2.6	57	51.5	71	11.2	5.8
	105 to 400	159.6	123.8											
32	30 to 100	153.7	114	19.2	9.3	6.6	4	36	3.2	76	61.5	90	11.2	7
	105 to 500	183.7	144											
63	50 to 200	196.8	133.2	25.2	25.2	9	5	50	3.2	95	88	110	14.2	8
	205 to 500	231.8	168.2											
	505 to 800	266.8	203.2											

Material: Carbon steel (Chromating)

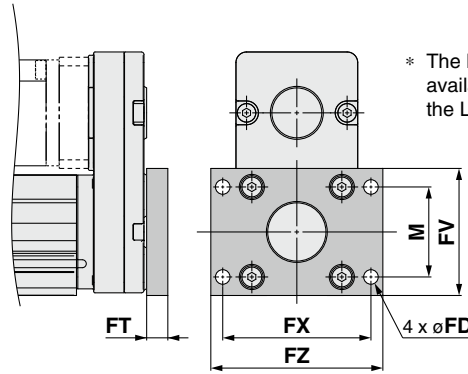
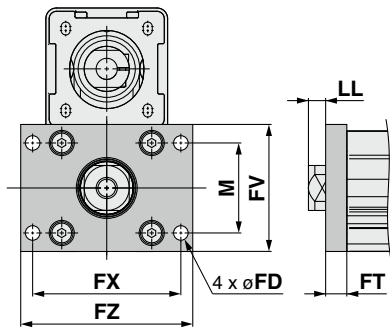
\* The A and LL measurements are when the unit is at the retracted stroke end position.

\* When the motor mounting is the right or left side parallel type, the head side foot bracket should be mounted outward.

**Dimensions**

Rod flange: LEY32□□B-□□□F  
25 A  
63 C

Head flange: LEY25□□B-□□□G  
A  
C



\* The head flange type is not available for the in-line type and the LEY32/63.

Included parts  
· Flange  
· Body mounting bolt

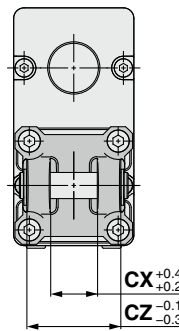
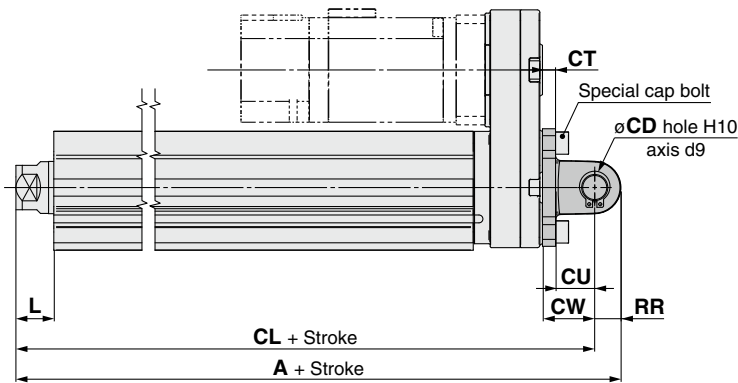
**Rod/Head Flange** [mm]

Size	FD	FT	FV	FX	FZ	LL	M
25	5.5	8	48	56	65	4.5	34
32	5.5	8	54	62	72	8.5	40
63	9	9	80	92	108	24.4	60

Material: Carbon steel (Nickel plating)

\* The LL measurement is when the unit is at the retracted stroke end position.

Double clevis: LEY32□□B-□□□□D  
25 A  
63 C



Included parts  
· Double clevis  
· Body mounting bolt  
· Clevis pin  
· Retaining ring

\* Refer to the **Web Catalog** for details on the rod end nut and mounting bracket.

**Double Clevis** [mm]

Size	Stroke range [mm]	A	CL	CD	CT	CU	CW	CX	CZ	L	RR
25	30 to 100	158.5	148.5	10	5	14	20	18	36	12.5	10
	105 to 200	183.5	173.5								
32	30 to 100	178.5	168.5	10	6	14	22	18	36	16.5	10
	105 to 200	208.5	198.5								
63	50 to 200	232.6	218.6	14	8	22	30	22	44	33.4	14
	205 to 300	267.6	253.6								

Material: Cast iron (Coating)

\* The A, CL, and L measurements are when the unit is at the retracted stroke end position.

Model Selection

LEKFS

LEFS

LEFB

LEJS

LET-X11

LEY

LEYG

LESYH

Motor Mounting

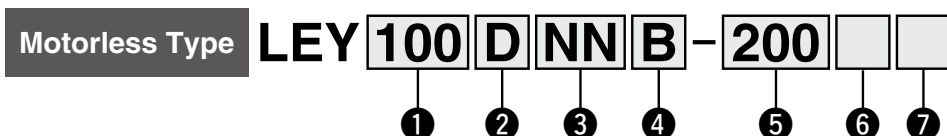
# Electric Actuator/ Rod Type

## LEY Series LEY100

RoHS



### How to Order



#### 1 Size

100

#### 2 Motor mounting position

Nil	Parallel
D	In-line

#### 3 Motor type\*1

Symbol	Type	Note
NN	ø80-M5 thread hole	

\*1 Order the motor adapter, motor flange, and return box separately. Refer to pages 167 and 168 for details.

#### 4 Lead [mm]

Symbol	LEY100
B	10

#### 5 Stroke [mm]

100	100
to	to
1000	1000

\* For details, refer to the applicable stroke table below.

#### 6 Rod end thread

Nil	Rod end female thread
M	Rod end male thread (1 rod end nut is included.)

#### 7 Mounting\*1

Symbol	Type	Motor mounting position	
		Parallel	In-line
Nil	Ends tapped*2	●	●
L	Foot bracket (in-line)	—	●
H	Foot bracket	●	●
F	Rod flange*2	●	●
D	Double clevis*3	●	—

\*1 The mounting bracket is shipped together with the product but does not come assembled.

\*2 Do not mount using the "ends tapped" or "flange" options for the horizontal type with one end secured.

\*3 Double clevis type: Use within the stroke limit of 400 or less and the thrust limit of 6000 or less.

#### Applicable Stroke Table

Size	Stroke [mm]										Manufacturable stroke range
	100	200	300	400	500	600	700	800	900	1000	
100	●	●	●	●	●	●	●	●	●	●	100 to 1000

\* Please contact SMC for non-standard strokes as they are produced as special orders.

#### Compatible Motors and Mounting Types

Manufacturer	Series	NN
Mitsubishi Electric Corporation	MELSERVO-J4/J5	●
YASKAWA Electric Corporation	Σ-V/7/X	●
NIDEC SANKYO CORPORATION	S-FLAG	●
KEYENCE CORPORATION	SV/SV2	●
Delta Electronics, Inc.	ASDA-A2	●



## Specifications

- \* The values in this specifications table are the allowable values of the actuator body with the standard motor mounted.
- \* Do not use the actuator so that it exceeds these values.

Model			LEY100□NNB	
Actuator specifications	Stroke [mm] <sup>*9</sup>		100, 200, 300, 400, 500, 600, 700, 800, 900, 1000	
	Work load [kg]	Horizontal <sup>*1</sup>	240/1200 [When equipped with reducer (reduction ratio 1/5)]	
		Vertical	80/200 [When equipped with reducer (reduction ratio 1/5)]	
	Rated force [N]/Set value: Rated torque 87% <sup>*2</sup>		1100/5500 [When equipped with reducer (reduction ratio 1/5)]	
	Max. force [N]/Set value: Max. torque 192% <sup>*2 *3</sup>		2600/12000 [When equipped with reducer (reduction ratio 1/5)]	
	Max. speed [mm/s] <sup>*4</sup>	Stroke range	Up to 500	500
			600	370
			700	285
			800	225
			900	180
			1000	150
	Pushing speed [mm/s] <sup>*5</sup>		20 or less	
	Max. acceleration/deceleration [mm/s <sup>2</sup> ]		3000/2000 [When equipped with reducer (reduction ratio 1/5)]	
	Positioning repeatability [mm]		±0.02	
	Lost motion [mm] <sup>*6</sup>		0.1 or less	
Ball screw specifications	Thread size [mm]	ø32		
	Lead [mm]	10		
	Shaft length [mm]	Stroke + 202		
Impact/Vibration resistance [m/s <sup>2</sup> ] <sup>*7</sup>		Motor mounting position: In-line 50/20, Motor mounting position: Parallel 50/15		
Actuation type		Motor mounting position: In-line/Ball screw, Motor mounting position: Parallel/Ball screw + Belt		
Guide type		Sliding bushing (Piston rod)		
Operating temperature range [°C]		5 to 40		
Operating humidity range [%RH]		90 or less (No condensation)		
Enclosure		IP40 (Excludes motor mounting part)		
Other specifications <sup>*8</sup>	Actuation unit weight [kg] (* [ST]: Stroke)		2.80 + (7.50 × 10 <sup>-3</sup> ) × [ST]	
	Other inertia [kg-cm]		0.047	
	Friction coefficient		0.05	
	Mechanical efficiency		0.9	
Reference motor spec.	Motor type		AC servo motor	
	Rated output capacity [W]		750	
	Rated torque [N-m]		2.4	
	Rated rotation [rpm]		3000	

- \*1 This is the max. value of the horizontal work load. An external guide is necessary to support the load (Friction coefficient of guide: 0.1 or less). The actual work load changes according to the condition of the external guide. Confirm the load using the actual device.
- \*2 The force setting range for the force control (Speed control mode, Torque control mode)  
The force changes according to the set value. Set it with reference to the "Force Conversion Graph (Guide)" on page 151.
- \*3 The max. force changes according to the stroke. Check the "Force-Stroke Graph" on page 152.  
For "double clevis type": Maximum thrust limited to 6000 or less
- \*4 The allowable speed changes according to the stroke.
- \*5 The allowable collision speed for collision with the workpiece
- \*6 A reference value for correcting errors in reciprocal operation
- \*7 Impact resistance: No malfunction occurred when the actuator was tested with a drop tester in both an axial direction and a perpendicular direction to the lead screw. (The test was performed with the actuator in the initial state.)  
Vibration resistance: No malfunction occurred in a test ranging between 45 to 2000 Hz. The test was performed in both an axial direction and a perpendicular direction to the lead screw. (The test was performed with the actuator in the initial state.)
- \*8 Each value is only to be used as a guide to select a motor of the appropriate capacity.
- \*9 For "double clevis type": Stroke limited to 400 or less.

## Weight

### Product Weight

Stroke [mm]		[kg]									
		100	200	300	400	500	600	700	800	900	1000
LEY100DNNB	Motorless	8.1	9.8	11.4	13.1	14.7	16.3	18.0	19.6	21.3	22.9

### Additional Weight

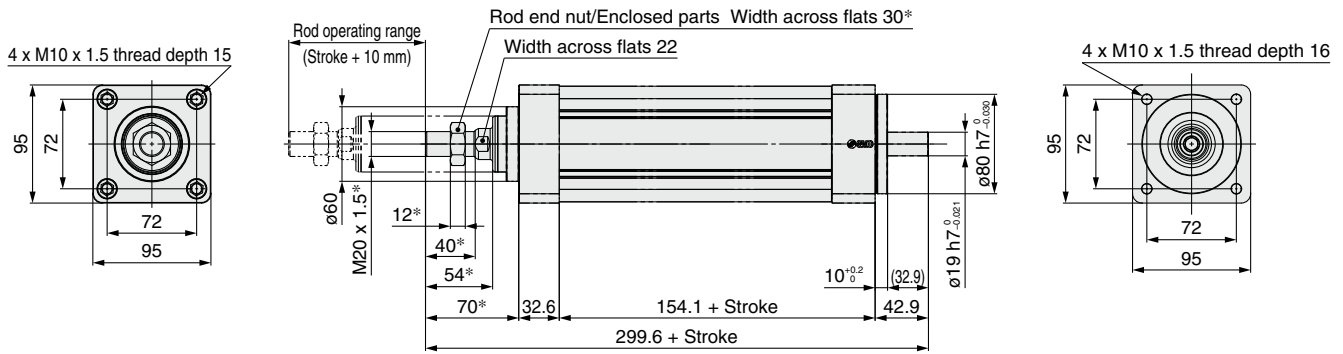
Size		100
Motor option	With lock	1.0
	Male thread	0.11
Rod end thread	Nut	0.05
	Foot bracket (in-line)	0.8
Mounting	Foot bracket	1.4
	Flange	1.1
	Double clevis	1.3

Refer to the "Motor Mounting" on pages 179, 180, and 183 for details about motor mounting and included parts.

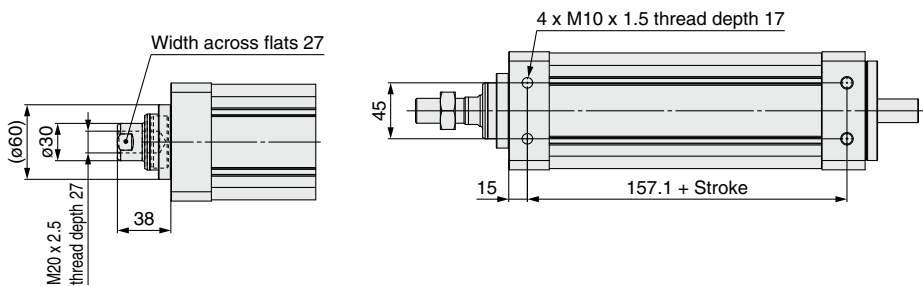
## Dimensions: Parallel/In-line

### LEY100

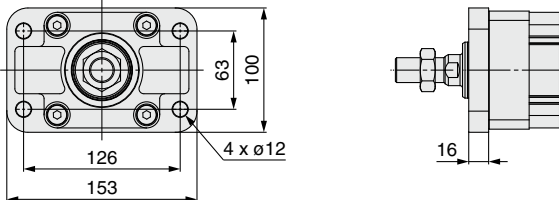
Dimensions with \* indicate the dimensions when a male rod end is selected.



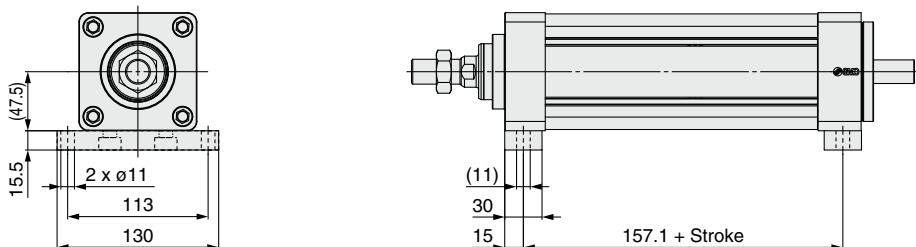
### Rod end female thread: LEY100□NNB-□□□



### Rod flange: LEY100□NNB-□□□F



### Foot bracket: LEY100□NNB-□□□L

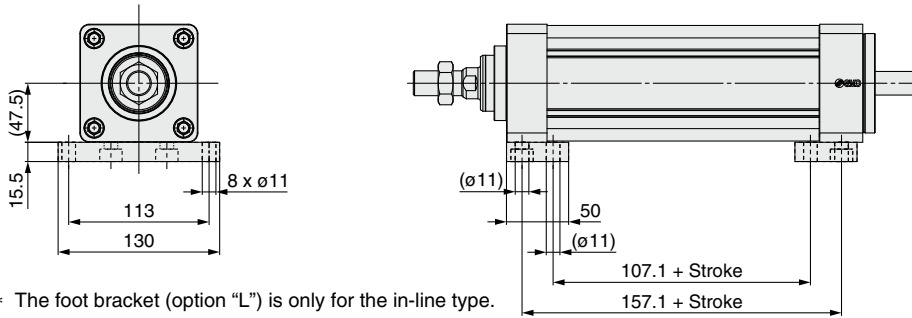


\* The foot bracket (option "L") is only for the in-line type.

Refer to the "Motor Mounting" on pages 179, 180, and 183 for details about motor mounting and included parts.

**Dimensions: Parallel/In-line**

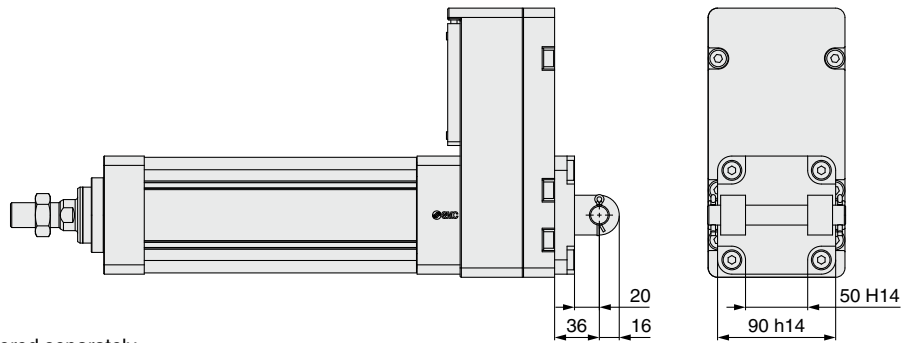
**Foot bracket: LEY100NN□-□□□H**



\* The foot bracket (option "L") is only for the in-line type.

**Double clevis: LEY100NNB-□□□D**

- Included parts
- Double clevis
  - Body mounting bolt
  - Clevis pin
  - Retaining ring



\* The motor flange assembly needs to be ordered separately.  
\* The diagram shows the assembled motor flange assembly.

Model Selection

LEKFS

LEFS

LEFB

LEJS

LET-X11

LEY

LEYG

LESYH

Motor Mounting

# LEY100 Series Options

## Motor Flange Assembly

Motor mounting position: In-line

Motor flange LEY - MF 100 D - NZ

1

### 1 Mounting Type

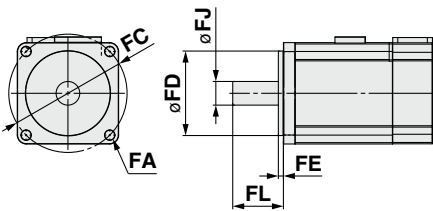
Mounting type	Component parts						
	A Motor adapter	B Motor flange		C Coupling		D Reducer	
		Mounting type NZ□	Mounting type NG□	O.D. $\phi$ 40	O.D. $\phi$ 55	Reduction ratio 1/3	Reduction ratio 1/5
NZ	●	●	—	△	—	—	—
NZC	●	●	—	●	—	—	—
NG	●	—	●	—	△	—	△
NGC	●	—	●	—	●	—	△
NGC3	●	—	●	—	●	●	—
NGC5	●	—	●	—	●	—	●
N	●	—	△	—	△	—	△

- \* The parts marked with a ● are component parts. The parts marked with a △ should be prepared by the customer as necessary.
- \* Component parts A, B, C, and D come with mounting screws.
- \* The motor mounting screws should be provided by the customer.

### Compatible Motors

Manufacturer	Series	NZC/NGC3/NGC5
Mitsubishi Electric Corporation	MELSERVO-J4/J5	●
YASKAWA Electric Corporation	$\Sigma$ -V/7/X	●
NIDEC SANKYO CORPORATION	S-FLAG	●
KEYENCE CORPORATION	SV/SV2	●
Delta Electronics, Inc.	ASDA-A2	●

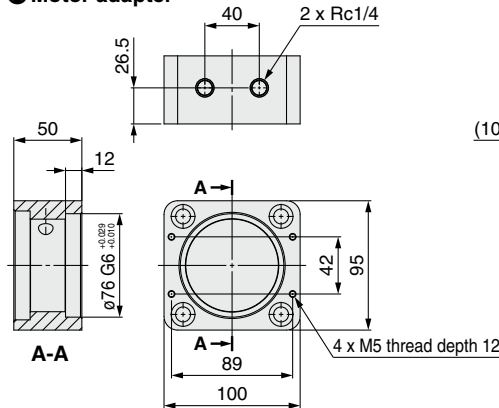
### Applicable motor dimensions



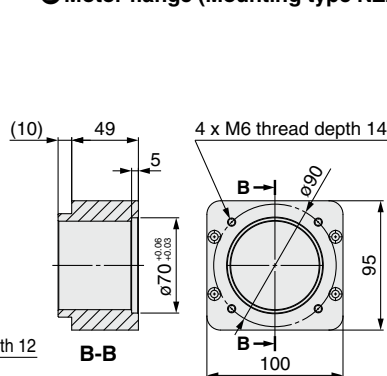
### Applicable Motor Dimensions

Size	FA	FC	FD	FE (Max.)	FJ	FL
100	$\phi$ 6.6	$\phi$ 90	70	4.5	19	40 to 44

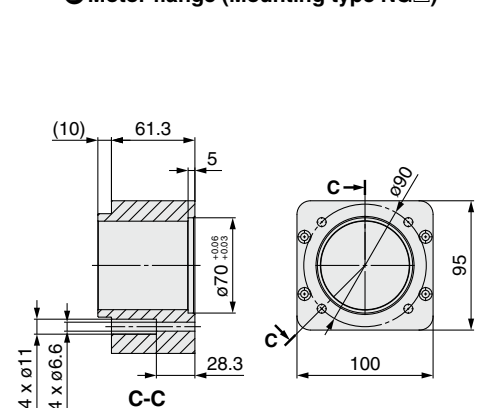
### A Motor adapter



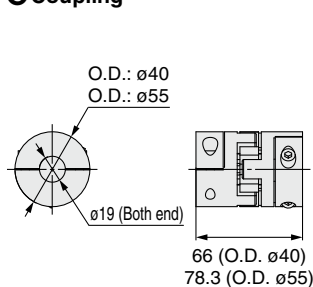
### B Motor flange (Mounting type NZ□)



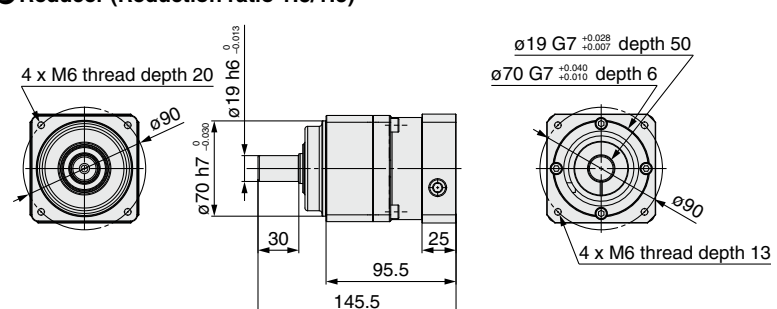
### B Motor flange (Mounting type NG□)



### C Coupling



### D Reducer (Reduction ratio 1:3/1:5)



## Motor Flange Assembly

Motor mounting position: Parallel

Motor flange **LEY - MF 100 P - NG**

1

### 1 Motor flange type

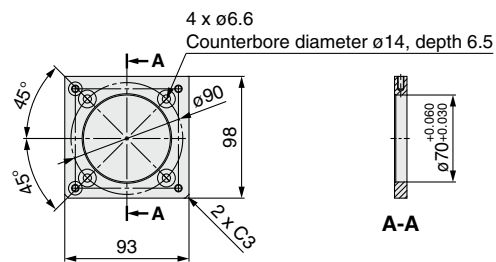
Symbol	Motor type	Component parts							
		A. Return box	B. Return plate	C. Pulley		D. Timing belt	E. Motor flange	F. Reducer	
				Actuator side	Motor side			Reduction ratio 1/3	Reduction ratio 1/5
<b>NG</b>	Mounting type G	●	●	●	●	●	●	—	—
<b>NG3</b>	Mounting type G + With reducer*	●	●	●	●	●	●	●	—
<b>NG5</b>	Mounting type G + With reducer*	●	●	●	●	●	●	—	●
<b>N</b>	Without motor flange	●	●	●	△	●	△	△	

\* The parts marked with a ● are component parts. The parts marked with a △ should be prepared by the customer as necessary.

\* Component parts come with mounting screws.

\* The motor mounting screws should be provided by the customer.

### E Motor flange



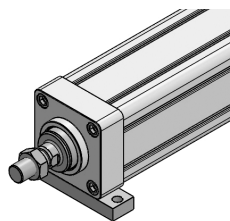
## Mounting Bracket

**LEY - L 100**

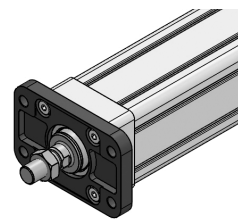
1

### 1 Mounting bracket

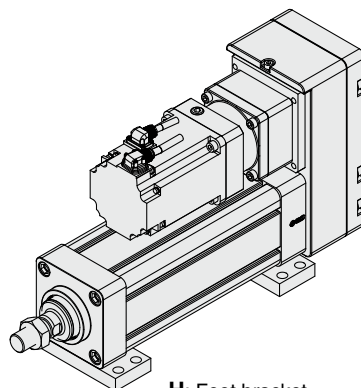
Symbol	Mounting bracket
<b>L</b>	Foot bracket (in-line)
<b>H</b>	Foot bracket
<b>F</b>	Flange
<b>D</b>	Double clevis



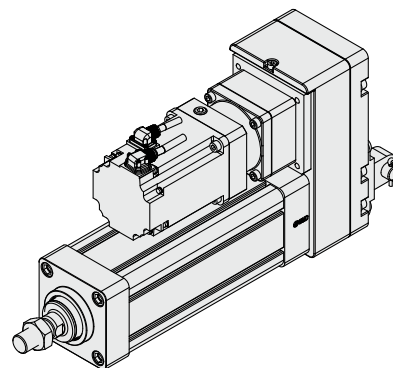
L: Foot bracket



F: Flange



H: Foot bracket



D: Double clevis

# Model Selection



LEYG Series ▶ p. 173

## Moment Load Graph

The model selection method shown below corresponds to SMC's standard motor.  
For use in combination with a motor from a different manufacturer, check the available product information of the motor to be used.

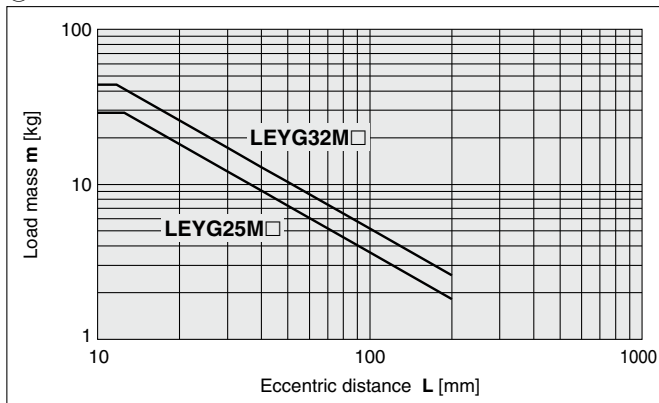
### Selection Conditions

Mounting orientation		Vertical	Horizontal	
Max. speed [mm/s]		"Speed-Vertical Work Load Graph"	200 or less	Over 200
Bearing	Sliding bearing	Graph ①, ②	Graph ⑤, ⑥*1	Graph ⑦, ⑧
	Ball bushing bearing	Graph ③, ④	Graph ⑨, ⑩	Graph ⑪, ⑫

\*1 For the sliding bearing type, the speed is restricted with a horizontal/moment load.

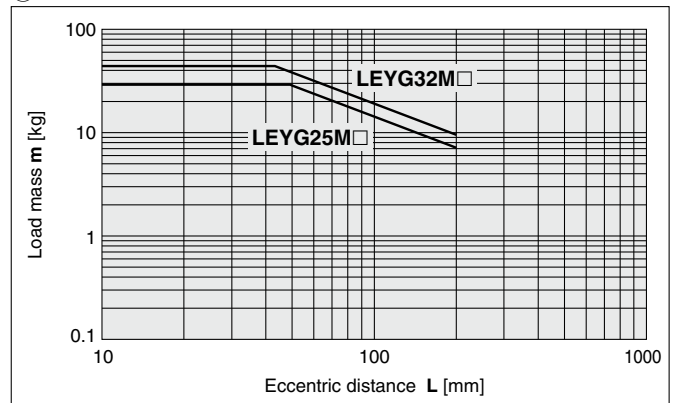
### Vertical Mounting, Sliding Bearing

#### ① 70 mm stroke or less



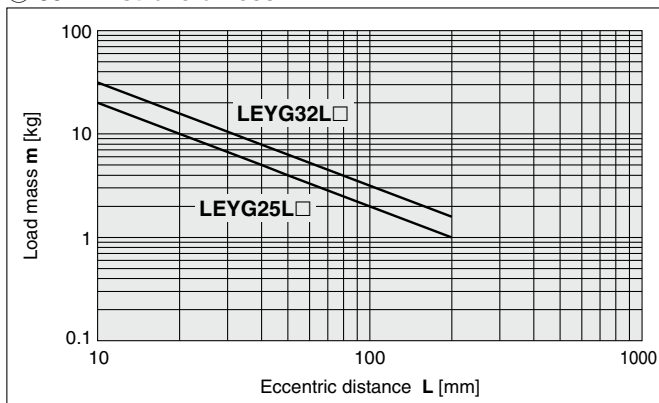
\* The limit of vertical load mass varies depending on "lead" and "speed."  
Check the "Speed-Vertical Work Load Graph" on page 171.

#### ② Over 75 mm stroke



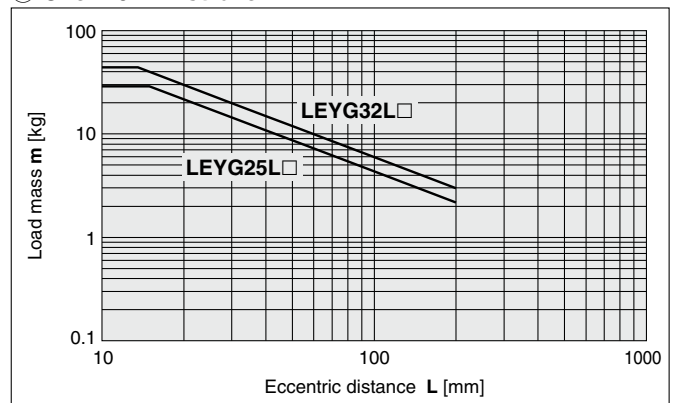
### Vertical Mounting, Ball Bushing Bearing

#### ③ 35 mm stroke or less



\* The limit of vertical load mass varies depending on "lead" and "speed."  
Check the "Speed-Vertical Work Load Graph" on page 171.

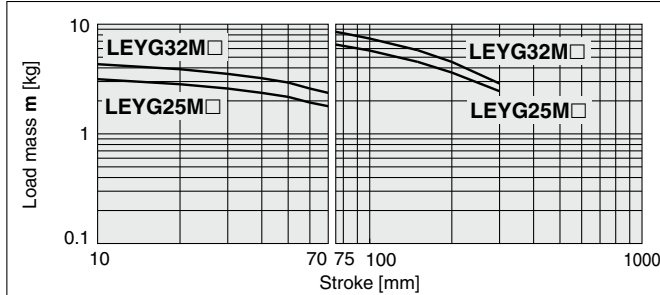
#### ④ Over 40 mm stroke



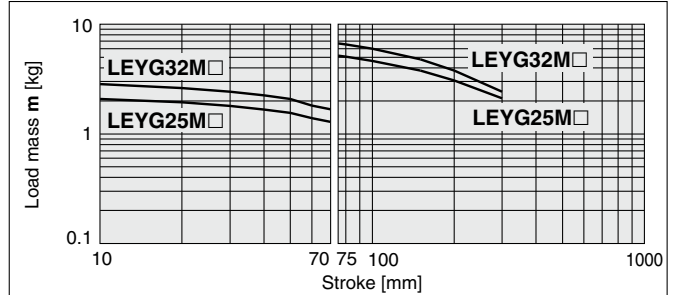
## Moment Load Graph

### Horizontal Mounting, Sliding Bearing

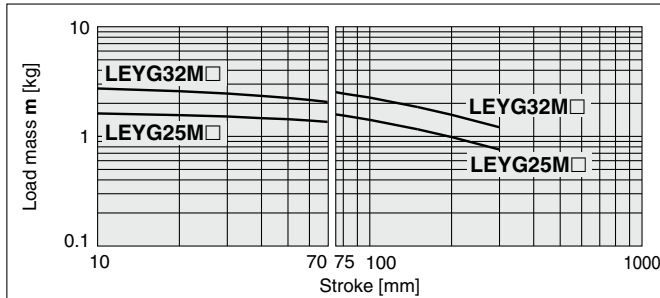
⑤ L = 50 mm Max. speed = 200 mm/s or less



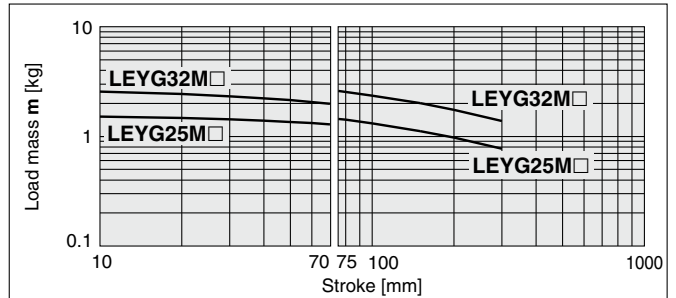
⑥ L = 100 mm Max. speed = 200 mm/s or less



⑦ L = 50 mm Max. speed = Over 200 mm/s

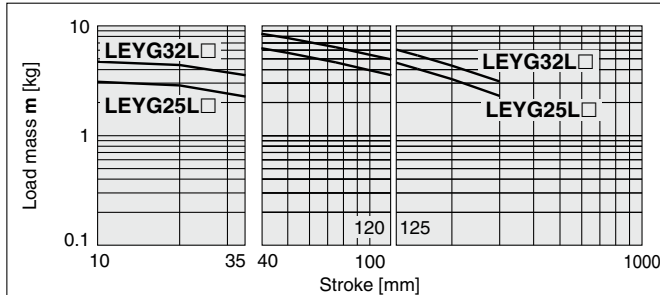


⑧ L = 100 mm Max. speed = Over 200 mm/s

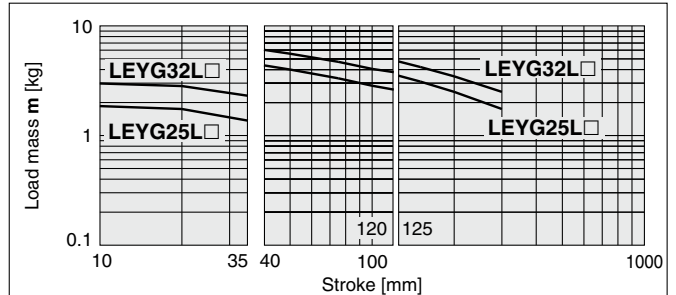


### Horizontal Mounting, Ball Bushing Bearing

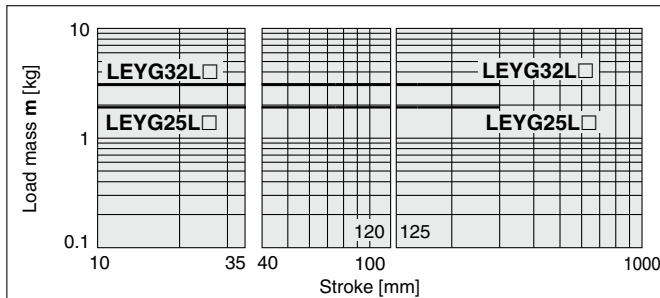
⑨ L = 50 mm Max. speed = 200 mm/s or less



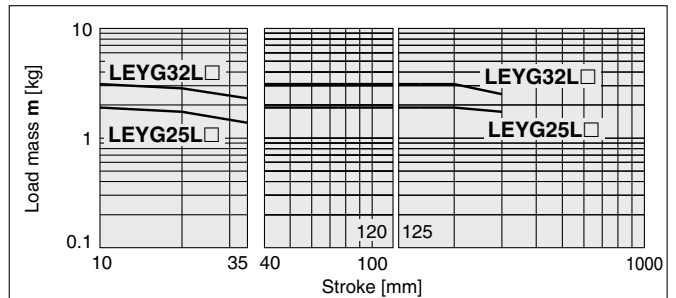
⑩ L = 100 mm Max. speed = 200 mm/s or less



⑪ L = 50 mm Max. speed = Over 200 mm/s

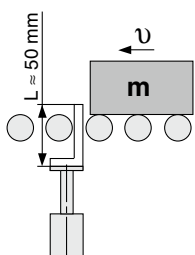


⑫ L = 100 mm Max. speed = Over 200 mm/s



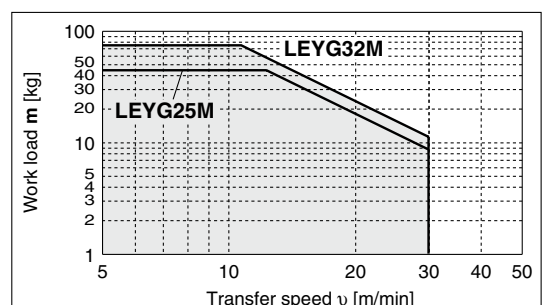
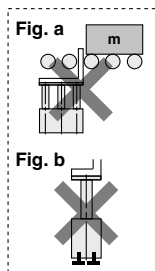
## Operating Range when Used as a Stopper

### LEYG□M (Sliding bearing)



#### ⚠ Caution Handling Precautions

- \* When used as a stopper, select a model with a stroke of 30 mm or less.
- \* LEYG□L (ball bushing bearing) cannot be used as a stopper.
- \* Workpiece collision in series with guide rod cannot be permitted (Fig. a).
- \* The body should not be mounted on the end. It must be mounted on the top or bottom (Fig. b).



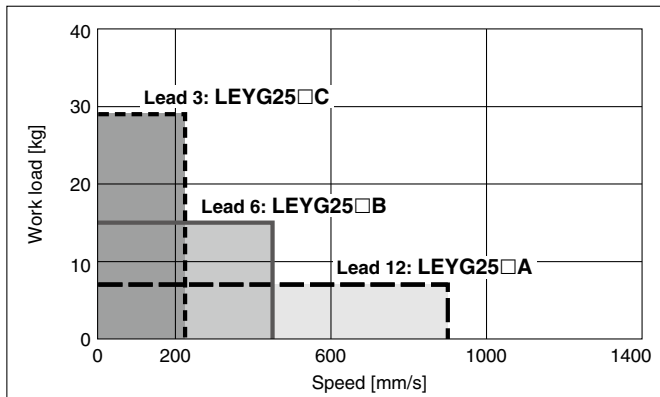
# LEYG Series

Motorless Type

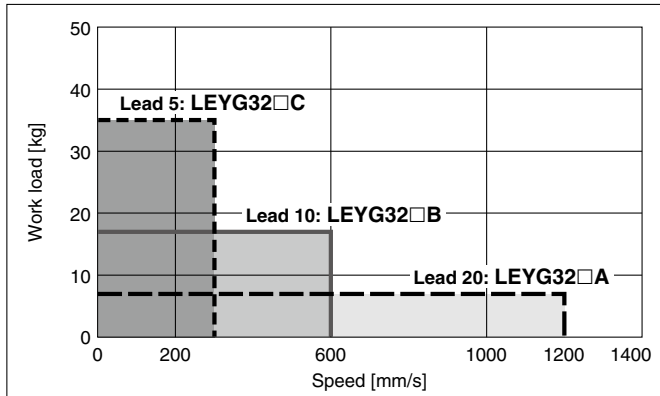
## Speed-Vertical Work Load Graph

\* These graphs show the work load when the external guide is used together. When using the LEYG alone, refer to pages 169 and 170.  
\* The values shown below are allowable values of the actuator body. Do not use the actuator so that it exceeds these specification ranges.

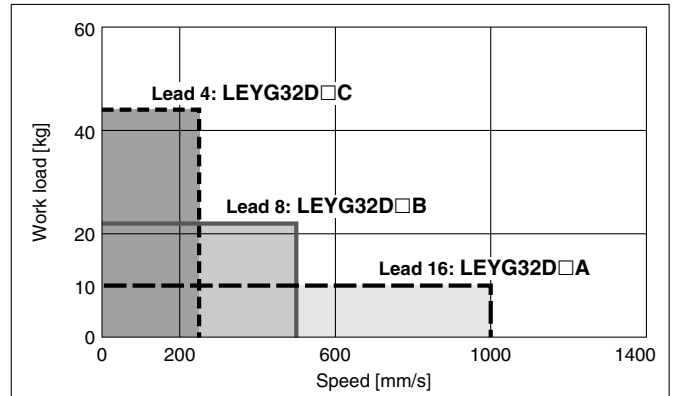
### LEYG25 (Motor mounting position: Parallel/In-line)



### LEYG32 (Motor mounting position: Parallel)



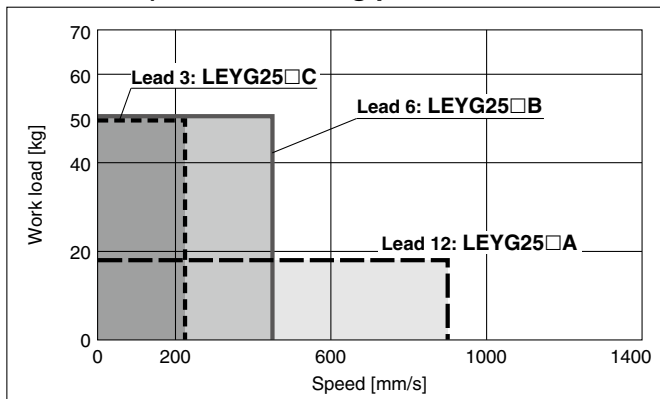
### LEYG32D (Motor mounting position: In-line)



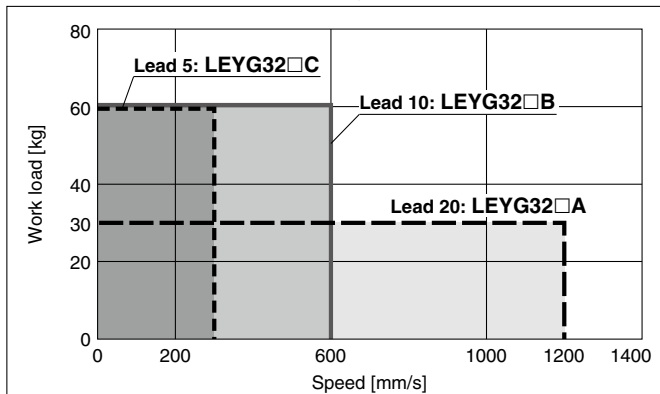
## Speed-Horizontal Work Load Graph

\* These graphs show the work load when the external guide is used together. When using the LEYG alone, refer to pages 169 and 170.

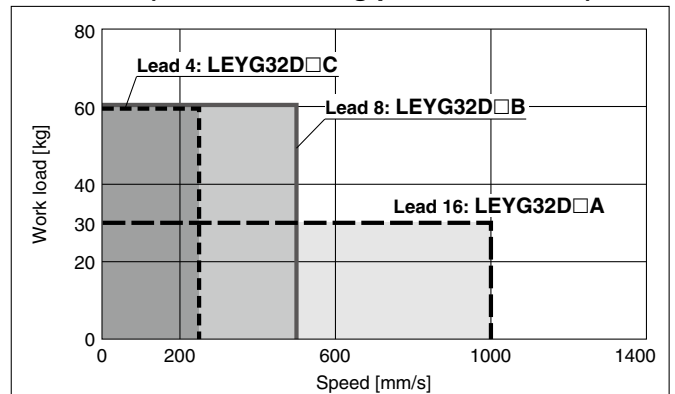
### LEYG25 (Motor mounting position: Parallel/In-line)



### LEYG32 (Motor mounting position: Parallel)



### LEYG32D (Motor mounting position: In-line)

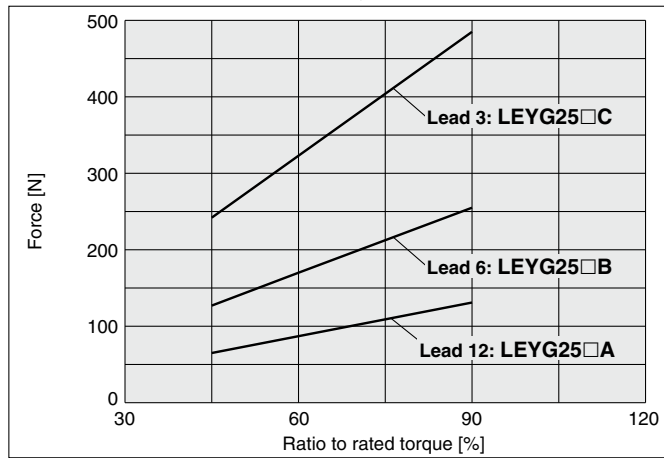




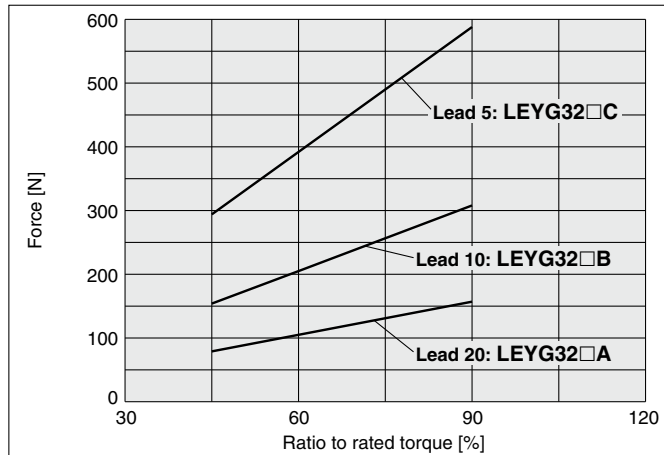
## Force Conversion Graph

\* These graphs show an example of when the standard motor is mounted. Calculate the force based on used motor and driver.

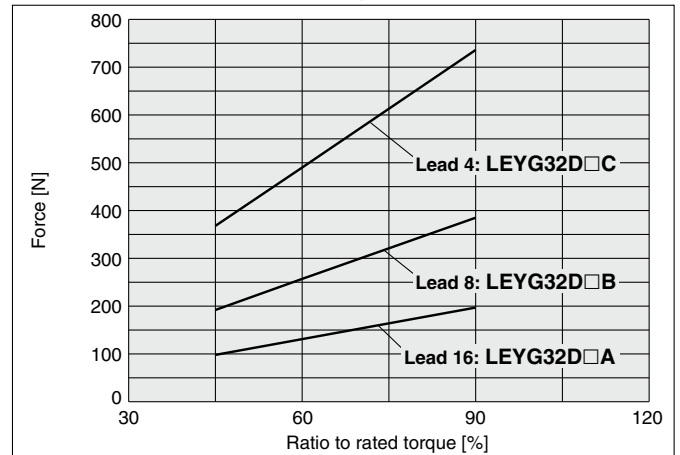
### LEYG25□ (Motor mounting position: Parallel/In-line)



### LEYG32□ (Motor mounting position: Parallel)



### LEYG32D (Motor mounting position: In-line)



\* When using the force control or speed control, set the maximum value to be no more than 90% of the rated torque.

Model Selection

LEKFS

LEFS

LEFB

LEJS

LET-X11

LEY

LEYG

LESYH

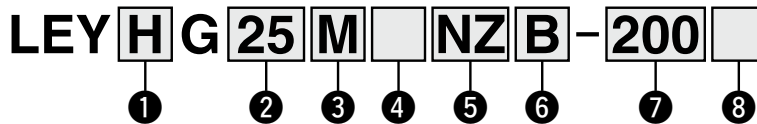
Motor Mounting

# Electric Actuator Guide Rod Type

## LEYG Series LEYG25, 32



### How to Order



#### ① Accuracy

Nil	Basic type
H	High-precision type

#### ② Size

25
32

#### ③ Bearing type

M	Sliding bearing
L	Ball bushing bearing

#### ④ Motor mounting position

Nil	Top side parallel
D	In-line

#### ⑤ Mounting type

NZ
NY
NX
NW
NV
NU
NT
NM1
NM2
NM3

#### ⑥ Lead [mm]

Symbol	LEYG25	LEYG32*1
A	12	16 (20)
B	6	8 (10)
C	3	4 (5)

\*1 The values shown in ( ) are the leads for the size 32 top side parallel motor type. Except mounting type NM1 (Equivalent leads which include the pulley ratio [1.25:1])

#### ⑦ Stroke [mm]

30	30
to	to
300	300

\* Refer to the applicable stroke table.

#### ⑧ Guide option

Nil	Without option
F	With grease retaining function

\* Only available for sliding bearing

\* Refer to the "Compatible Motors."

#### Applicable Stroke Table

Model	Stroke [mm]	●: Standard						Manufacturable stroke range
		30	50	100	150	200	250	
LEYG25		●	●	●	●	●	●	15 to 300
LEYG32		●	●	●	●	●	●	20 to 300

\* Please contact SMC for non-standard strokes as they are produced as special orders.

#### Use of auto switches for the guide rod type LEYG series

- Auto switches must be inserted from the front side with the rod (plate) sticking out.
- Auto switches cannot be fixed with the parts hidden behind the guide attachment (the side of the rod that sticks out).
- Please contact SMC when using auto switches on the side of the rod that sticks out, as it is produced as a special order.

For auto switches, refer to pages 189 to 192.

#### Compatible Motors and Mounting Types\*4

Applicable motor model		Size/Mounting type															
Manufacturer	Series	25						32									
		NZ	NY	NX	NM1	NM2	NM3	NZ	NY	NX	NW	NV	NU	NT	NM1	NM2	
Mitsubishi Electric Corporation	MELSERVO JN/J4/J5	●	—	—	—	—	—	●	—	—	—	—	—	—	—	—	—
YASKAWA Electric Corporation	Σ-V/7/X	●*3	—	—	—	—	—	●	—	—	—	—	—	—	—	—	—
SANYO DENKI CO., LTD.	SANMOTION R	●	—	—	—	—	—	●	—	—	—	—	—	—	—	—	—
OMRON Corporation	OMNUC G5/1S	●	—	—	—	—	—	—	●	—	—	—	—	—	—	—	—
Panasonic Corporation	MINAS A5/A6	● (MHMF only)	●	—	—	—	—	—	●	—	—	—	—	—	—	—	—
FANUC CORPORATION	βis (-B)	●	—	—	—	—	—	● (β1 only)	—	—	●	—	—	—	—	—	—
NIDEC SANKYO CORPORATION	S-FLAG	●	—	—	—	—	—	●	—	—	—	—	—	—	—	—	—
KEYENCE CORPORATION	SV/SV2	●*3	—	—	—	—	—	●	—	—	—	—	—	—	—	—	—
FUJI ELECTRIC CO., LTD.	ALPHA7	●	—	—	—	—	—	●	—	—	—	—	—	—	—	—	—
MinebeaMitsumi Inc.	Hybrid stepping motors	—	—	—	—	●*1	—	—	●*2	—	—	—	—	—	—	—	●
Shinano Kenshi Co., Ltd.	CSB-BZ	—	—	—	—	●*1	—	—	●*2	—	—	—	—	—	—	—	—
ORIENTAL MOTOR Co., Ltd.	α STEP AR/AZ	—	—	—	—	—	—	—	—	—	—	—	—	—	—	—	● (46 only)
FASTECH Co., Ltd.	Ezi-SERVO	—	—	—	—	●	—	—	—	—	—	—	—	—	—	—	●
Rockwell Automation, Inc. (Allen-Bradley)	Kinetix MP/VP/TL	● (TL only)	—	—	—	—	—	—	—	—	—	—	—	—	—	—	● (TL only)
Beckhoff Automation GmbH	AM 30/31/80/81	●	—	—	—	—	—	—	—	—	—	—	—	—	—	—	—
Siemens AG	SIMOTICS S-1FK7	—	—	—	●	—	—	—	—	—	—	—	—	—	—	—	—
Delta Electronics, Inc.	ASDA-A2	●	—	—	—	—	—	—	●	—	—	—	—	—	—	—	—
ANCA Motion	AMD2000	●	—	—	—	—	—	—	●	—	—	—	—	—	—	—	—

\*1 Motor mounting position: In-line only \*2 Motor mounting position: Parallel only

\*3 For some motors, the connector may protrude from the motor body. Be sure to check for interference with the mounting surface before selecting a motor.

\*4 The compatible motors and mounting types are typical examples. Select the mounting type after referring to the "Motor Mounting, Applicable Motor Dimensions" tables on the following "Dimensions" pages.

## Specifications

- Values in this specifications table are the allowable values of the actuator body with the standard motor mounted.
- Do not use the actuator so that it exceeds these values.

Model		LEYG25 <sup>M</sup> <sub>L</sub> (Parallel) LEYG25 <sup>M</sup> <sub>L</sub> D (In-line)			LEYG32 <sup>M</sup> <sub>L</sub> (Parallel)			LEYG32 <sup>M</sup> <sub>L</sub> D (In-line)			
Actuator specifications	Work load [kg]	Horizontal*1	18	50	50	30	60	60	30	60	60
		Vertical	7	15	29	7	17	35	10	22	44
	Force [N]*2 (Set value: Rated torque 30 to 90%)		65 to 131	127 to 255	242 to 485	79 to 157	154 to 308	294 to 588	98 to 197	192 to 385	368 to 736
	Max. speed [mm/s]		900	450	225	1200	600	300	1000	500	250
	Pushing speed [mm/s]*3		35 or less			30 or less					
	Max. acceleration/deceleration [mm/s <sup>2</sup> ]		5000								
	Positioning repeatability [mm]	Basic type	±0.02								
		High-precision type	±0.01								
	Lost motion*4 [mm]	Basic type	0.1 or less								
		High-precision type	0.05 or less								
	Ball screw specifications	Thread size [mm]	ø10			ø12					
		Lead [mm] *8 (including pulley ratio 1.25:1)	12	6	3	16 (20)*8	8 (10)*8	4 (5)*8	16	8	4
		Shaft length [mm]	Stroke + 93.5			Stroke + 104.5					
	Impact/Vibration resistance [m/s <sup>2</sup> ]*5		50/20								
Actuation type		Ball screw + Belt (LEY□□) Ball screw (LEY□D)			Ball screw + Belt [Pulley ratio 1.25:1]			Ball screw			
Guide type		Sliding bearing (LEYG□M), Ball bushing bearing (LEYG□L)									
Operating temperature range [°C]		5 to 40									
Operating humidity range [%RH]		90 or less (No condensation)									
Enclosure		IP40 (Excludes motor mounting part)									
Other specifications	Actuation unit weight [kg] (* [ST]: Stroke)	Sliding bearing LEYG□M	0.29 + (2.20 × 10 <sup>-3</sup> ) × [ST]: 185 st or less 0.34 + (1.92 × 10 <sup>-3</sup> ) × [ST]: Over 185 st			0.48 + (2.91 × 10 <sup>-3</sup> ) × [ST]: 180 st or less 0.55 + (2.62 × 10 <sup>-3</sup> ) × [ST]: Over 180 st					
		Ball bushing bearing LEYG□L	0.33 + (1.69 × 10 <sup>-3</sup> ) × [ST]: 110 st or less 0.36 + (1.80 × 10 <sup>-3</sup> ) × [ST]: Over 110 st			0.50 + (2.40 × 10 <sup>-3</sup> ) × [ST]: 110 st or less 0.55 + (2.51 × 10 <sup>-3</sup> ) × [ST]: Over 110 st					
	Other inertia [kg·cm <sup>2</sup> ]		0.012 (LEYG25) 0.015 (LEYG25D)			0.035 (LEYG32)			0.061 (LEYG32D)		
	Friction coefficient		0.05								
	Mechanical efficiency		0.8								
Reference *7 motor spec.	Motor type		AC servo motor								
	Rated output capacity [W]		100			200					
	Rated torque [N·m]		0.32			0.64					

- \*1 This is the maximum value of the horizontal work load. An external guide is necessary to support the load (Friction coefficient of guide: 0.1 or less). The actual work load changes according to the condition of the external guide. Confirm the load using the actual device.
- \*2 The force setting range for the force control (Speed control mode, Torque control mode)  
The force changes according to the set value. Set it with reference to the "Force Conversion Graph" on page 172.
- \*3 The allowable collision speed for collision with the workpiece
- \*4 A reference value for correcting errors in reciprocal operation

- \*5 Impact resistance: No malfunction occurred when the actuator was tested with a drop tester in both an axial direction and a perpendicular direction to the lead screw. (The test was performed with the actuator in the initial state.)  
Vibration resistance: No malfunction occurred in a test ranging between 45 to 2000 Hz. The test was performed in both an axial direction and a perpendicular direction to the lead screw. (The test was performed with the actuator in the initial state.)
- \*6 Each value is only to be used as a guide to select a motor of the appropriate capacity.
- \*7 For other specifications, refer to the specifications of the motor that is to be installed.

## Weight

### Product Weight

Model	LEYG25 <sup>M</sup> <sub>L</sub> (Motor mounting position: Parallel)								LEYG32 <sup>M</sup> <sub>L</sub> (Motor mounting position: Parallel)							
	Stroke [mm]	30	50	100	150	200	250	300	30	50	100	150	200	250	300	
Sliding bearing LEYG□M	1.3	1.5	1.8	2.2	2.6	2.9	3.2	2.2	2.5	3.1	3.8	4.4	4.8	5.3		
Ball bushing bearing LEYG□L	1.3	1.5	1.8	2.2	2.5	2.8	3.0	2.2	2.5	2.9	3.6	4.1	4.6	5.0		

Model	LEYG25 <sup>M</sup> <sub>L</sub> D (Motor mounting position: In-line)								LEYG32 <sup>M</sup> <sub>L</sub> D (Motor mounting position: In-line)							
	Stroke [mm]	30	50	100	150	200	250	300	30	50	100	150	200	250	300	
Sliding bearing LEYG□M	1.3	1.5	1.8	2.3	2.6	2.9	3.2	2.3	2.5	3.1	3.8	4.4	4.9	5.3		
Ball bushing bearing LEYG□L	1.3	1.6	1.8	2.2	2.5	2.8	3.0	2.3	2.5	2.9	3.7	4.1	4.6	5.0		

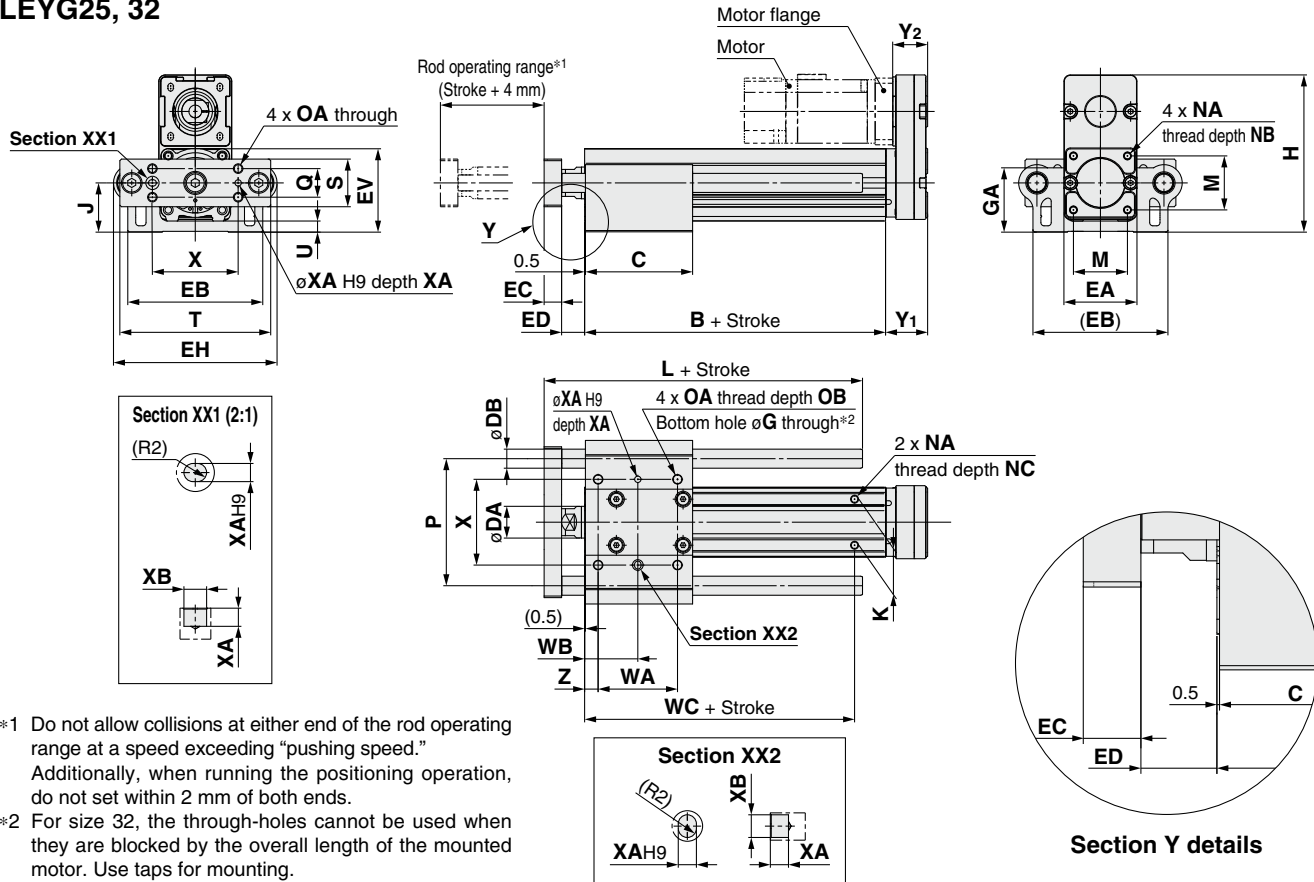
# LEYG Series

Motorless Type

Refer to the "Motor Mounting" on page 177 for details about motor mounting and included parts.

## Dimensions: Top Side Parallel Motor

### LEYG25, 32



- \*1 Do not allow collisions at either end of the rod operating range at a speed exceeding "pushing speed." Additionally, when running the positioning operation, do not set within 2 mm of both ends.
- \*2 For size 32, the through-holes cannot be used when they are blocked by the overall length of the mounted motor. Use taps for mounting.

LEYG□L (Ball bushing bearing) [mm]			
Size	Stroke range [mm]	L	DB
25	30 to 110	91	10
	115 to 190	115	
	195 to 300	133	
32	30 to 110	97.5	13
	115 to 190	116.5	
	195 to 300	134	

LEYG□M (Sliding bearing) [mm]			
Size	Stroke range [mm]	L	DB
25	30 to 55	67.5	12
	60 to 185	100.5	
	190 to 300	138	
32	30 to 50	74	16
	55 to 180	107	
	185 to 300	144	

\* The motor mounting and applicable motor dimensions are the same as those of the LEY series. Refer to page 177.

### LEYG□M, LEYG□L Common

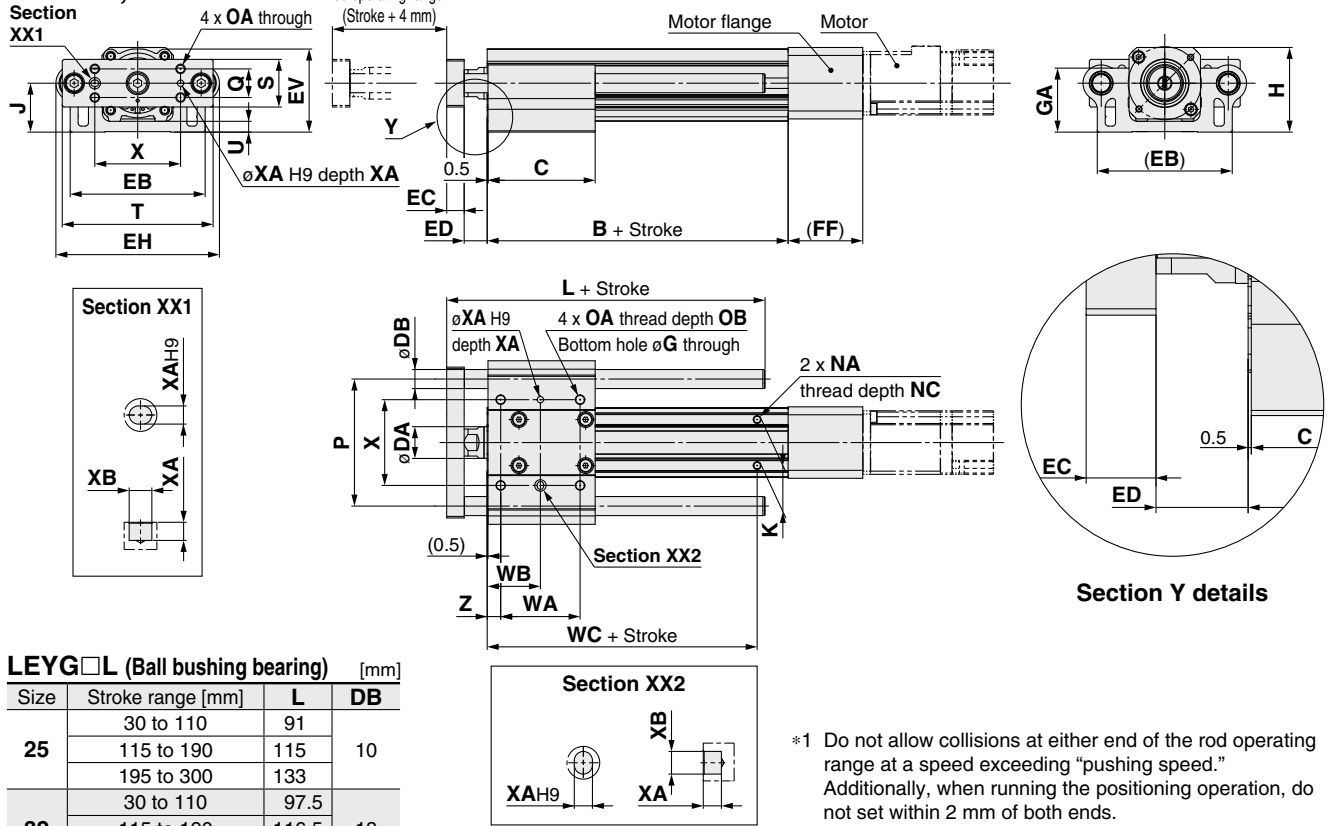
[mm]																		
Size	Stroke range [mm]	B	C	DA	EA	EB	EH	EV	EC	ED	G	GA	H	J	K	M	NA	NB
25	30 to 35	89.5	50	20	46	85	103	52.3	11	12.5	5.4	40.3	98.8	30.8	29	34	M5 x 0.8	8
	40 to 100		67.5															
	105 to 120		84.5															
	125 to 200		102															
32	30 to 35	96	55	25	60	101	123	63.8	12	16.5	5.4	50.3	125.3	38.3	30	40	M6 x 1.0	10
	40 to 100		68															
	105 to 120		85															
	125 to 200		102															
25	30 to 35	6.5	M6 x 1.0	12	80	18	30	95	6.8	35	26	70	54	4	5	26.5	22	8.5
	40 to 100									50	33.5							
	105 to 120									70	43.5							
	125 to 200									85	51							
32	30 to 35	8.5	M6 x 1.0	12	95	28	40	117	7.3	40	28.5	75	64	5	6	34	27	8.5
	40 to 100									50	33.5							
	105 to 120									70	43.5							
	125 to 200									85	51							

\* The ED measurement is when the unit is at the retracted stroke end position.

Refer to the "Motor Mounting" on page 181 for details about motor mounting and included parts.

**Dimensions: In-line Motor**

**LEYG25, 32**



**LEYG□L (Ball bushing bearing)** [mm]

Size	Stroke range [mm]	L	DB
25	30 to 110	91	10
	115 to 190	115	
	195 to 300	133	
32	30 to 110	97.5	13
	115 to 190	116.5	
	195 to 300	134	

**LEYG□M (Sliding bearing)** [mm]

Size	Stroke range [mm]	L	DB
25	30 to 55	67.5	12
	60 to 185	100.5	
	190 to 300	138	
32	30 to 50	74	16
	55 to 180	107	
	185 to 300	144	

\*1 Do not allow collisions at either end of the rod operating range at a speed exceeding "pushing speed." Additionally, when running the positioning operation, do not set within 2 mm of both ends.

\* The motor mounting and applicable motor dimensions are the same as those of the LEY series. Refer to page 181.

**LEYG□M, LEYG□L Common**

Size	Stroke range [mm]	B	C	DA	EB	EH	EV	EC	ED	G	GA	H	J	K	NA	
25	30 to 35	89.5	50	20	85	103	52.3	11	12.5	5.4	40.3	53.3	30.8	29	M5 x 0.8	
	40 to 100		67.5													
	105 to 120		84.5													
	125 to 200		102													
	205 to 300		114.5													
32	30 to 35	96	55	25	101	123	63.8	12	16.5	5.4	50.3	68.3	38.3	30	M6 x 1.0	
	40 to 100		68													
	105 to 120		85													
	125 to 200		102													
	205 to 300		126													
Size	Stroke range [mm]	NC	OA	OB	P	Q	S	T	U	WA	WB	WC	X	XA	XB	Z
25	30 to 35	6.5	M6 x 1.0	12	80	18	30	95	6.8	35	26	70	54	4	5	8.5
	40 to 100									50	33.5					
	105 to 120									70	43.5					
	125 to 200									85	51					
	205 to 300									85	51					
32	30 to 35	8.5	M6 x 1.0	12	95	28	40	117	7.3	40	28.5	75	64	5	6	8.5
	40 to 100									50	33.5					
	105 to 120									70	43.5					
	125 to 200									85	51					
	205 to 300									85	51					

\* The ED measurement is when the unit is at the retracted stroke end position.

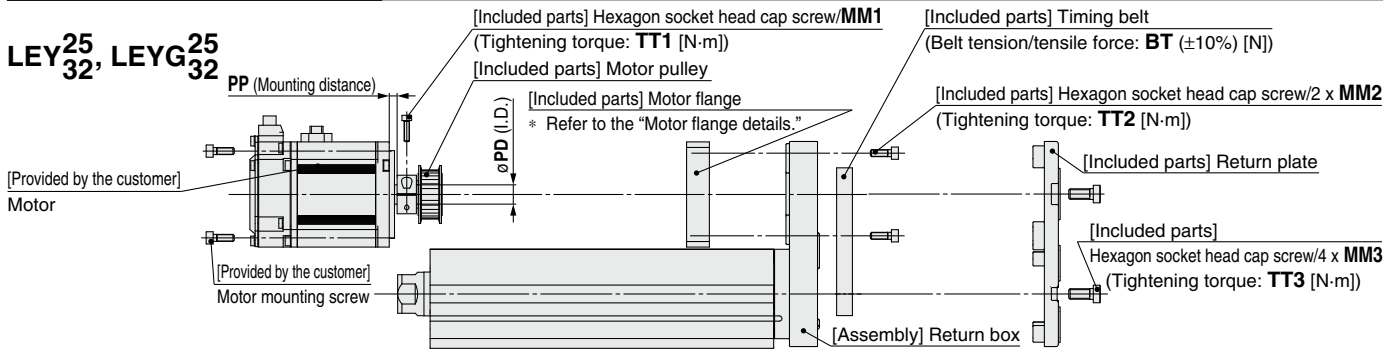
# LEY/LEYG Series

Motorless Type

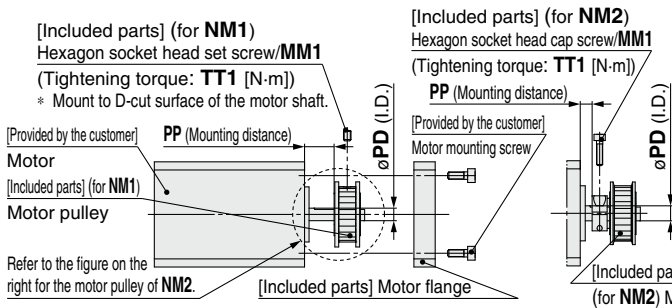
- The motor and motor mounting screws should be provided by the customer.
- Motor shaft type should be cylindrical for the NZ, NY, NW, NM2 mounting types, and D-cut type for the NM1 and NM3 mounting type.
- When mounting a pulley, remove all oil content, dust, and dirt adhered to the shaft and the inside of the pulley.
- Take measures to prevent the loosening of the motor mounting screws and hexagon socket head set screws.

## Motor Mounting: Parallel

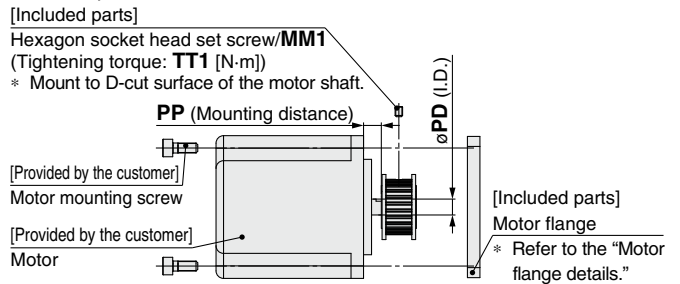
LEY25, LEYG25  
32, LEYG32



## LEY25, LEYG25: NM1, NM2, NM3



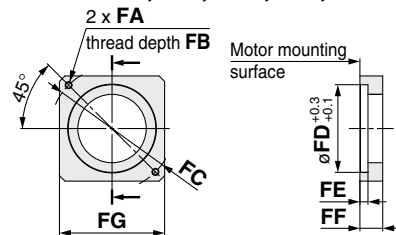
## LEY32, LEYG32: NM1



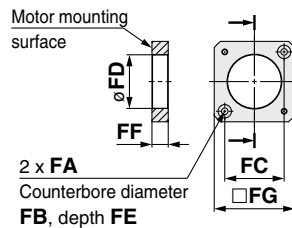
### Motor flange details

#### LEY25: NZ, NY, NX

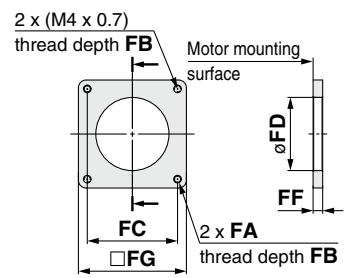
#### LEY32: NZ, NY, NW, NU, NT



#### LEY25: NM1, NM2, NM3



#### LEY32: NM1, NM2



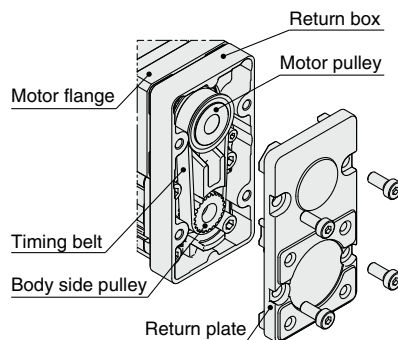
### Dimensions

Size	Mounting type	MM1	TT1	MM2	TT2	MM3	TT3	PD	PP	FA	FB	FC	FD	FE	FF	FG	BT
25	NZ	M2.5 x 10	1.0	M3 x 8	0.63	M4 x 10	1.5	8	7.5	M4 x 0.7	7.5	ø46	30	3.7	11	42	19
	NY	M2.5 x 10	1.0	M3 x 8	0.63	M4 x 10	1.5	8	7.5	M3 x 0.5	5.5	ø45	30	5	11	38	19
	NX	M2.5 x 10	1.0	M3 x 8	0.63	M4 x 10	1.5	8	4.5	M4 x 0.7	7	ø46	30	3.7	8	42	19
	NM1	M3 x 5	0.63	M3 x 8	0.63	M4 x 10	1.5	5	11.8	ø3.4	7	□31	28	3.5	8.5	42	19
	NM2	M2.5 x 10	1.0	M3 x 8	0.63	M4 x 10	1.5	6	4.8	ø3.4	7	□31	28	3.5	8.5	42	19
32	NM3	M3 x 5	0.63	M3 x 8	0.63	M4 x 10	1.5	5	8.8	ø3.4	7	□31	28	3.5	5.5	42	19
	NZ	M3 x 12	1.5	M4 x 12	1.5	M6 x 14	5.2	14	4.5	M5 x 0.8	8.5	ø70	50	4.6	13	60	30
	NY	M3 x 12	1.5	M4 x 12	1.5	M6 x 14	5.2	11	4.5	M4 x 0.7	7	ø70	50	4.6	13	60	30
	NW	M4 x 12	3.6	M4 x 12	1.5	M6 x 14	5.2	9	4.5	M5 x 0.8	8.5	ø70	50	4.6	13	60	30
	NU	M3 x 12	1.5	M4 x 12	1.5	M6 x 14	5.2	11	4.5	M5 x 0.8	8.5	ø70	50	4.6	13	60	30
	NT	M3 x 12	1.5	M4 x 12	1.5	M6 x 14	5.2	12	8.5	M5 x 0.8	8.5	ø70	50	4.6	17	60	30
	NM1	M3 x 5	0.63	M4 x 12	1.5	M6 x 14	5.2	6.35	8	M4 x 0.7	(5)	□47.1	38.2	—	5	56.4	30
NM2	M3 x 12	1.5	M4 x 12	1.5	M6 x 14	5.2	10	3	M4 x 0.7	8	□50	38.2	—	11.5	60	30	

### Motor Mounting Diagram

#### Mounting procedure

- 1) Secure the motor pulley to the motor (provided by the customer) with the MM1 hexagon socket head cap screw or hexagon socket head set screw.
- 2) Secure the motor to the motor flange with the motor mounting screws (provided by the customer).
- 3) Put the timing belt on the motor pulley and body side pulley, and then secure it temporarily with the MM2 hexagon socket head cap screws. (Refer to the mounting diagram.)
- 4) Apply the belt tension/tensile force: BT and tighten the timing belt with the MM2 hexagon socket head cap screws. (The reference level is the elimination of the belt deflection.)
- 5) Secure the return plate with the MM3 hexagon socket head cap screws.



### Included Parts List

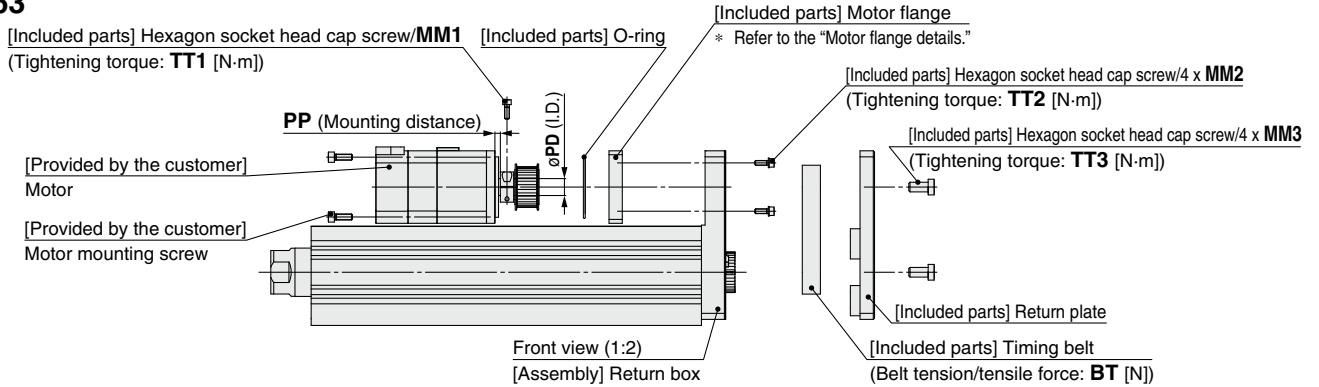
#### Size: 25, 32

Description	Quantity		
	Mounting type		
	NZ/NY/NW/NT/NM2	NM1/NM3	
Motor flange	1	1	
Motor pulley	1	1	
Return plate	1	1	
Timing belt	1	1	
Hexagon socket head cap screw (to mount the return plate)	4	4	
Hexagon socket head cap screw (to mount the motor flange)	2	2	
Hexagon socket head cap screw (to secure the pulley)	1	—	
Hexagon socket head set screw (to secure the pulley)	—	1	



## Motor Mounting: Parallel

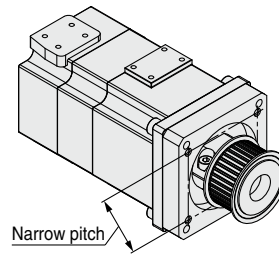
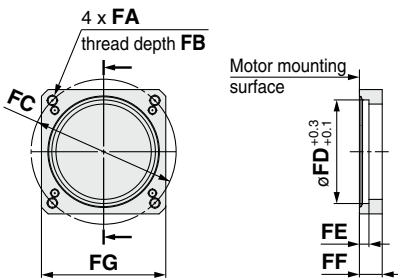
### LEY63



### Motor flange details

#### LEY63: NZ, NY, NW, NT

⚠ Be careful about the motor flange mounting direction.



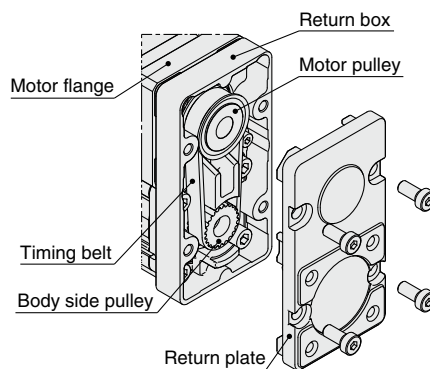
### Dimensions

Motor type	MM1	TT1	MM2	TT2	MM3	TT3	PD	PP	FA	FB	FC	FD	FE	FF	FG	BT
NZ	M4 x 12	3.6	M4 x 12	2.7	M8 x 16	12.5	14	4.5	M5 x 0.8	8.5	ø70	50	4.6	11	60	98
NY	M4 x 12	3.6	M4 x 12	2.7	M8 x 16	12.5	14	4.5	M4 x 0.7	8	ø70	50	4.6	11	60	98
NW	M4 x 12	3.6	M4 x 12	2.7	M8 x 16	12.5	9	4.5	M5 x 0.8	8.5	ø70	50	4.6	11	60	98
NT	M4 x 12	3.6	M4 x 12	2.7	M8 x 16	12.5	12	8	M5 x 0.8	8.5	ø70	50	4.6	14.5	60	98

### Motor Mounting Diagram

#### Mounting procedure

- 1) Secure the motor pulley to the motor (provided by the customer) with the MM1 hexagon socket head cap screw.
- 2) Secure the motor to the motor flange with the motor mounting screws (provided by the customer).
- 3) Put the timing belt on the motor pulley and body side pulley, and then secure it temporarily with the MM2 hexagon socket head cap screws. (Refer to the mounting diagram.)
- 4) Apply the belt tension/tensile force: BT and tighten the timing belt with the MM2 hexagon socket head cap screws. (The reference level is the elimination of the belt deflection.)
- 5) Secure the return plate with the MM3 hexagon socket head cap screws.



### Included Parts List

#### Size: 63

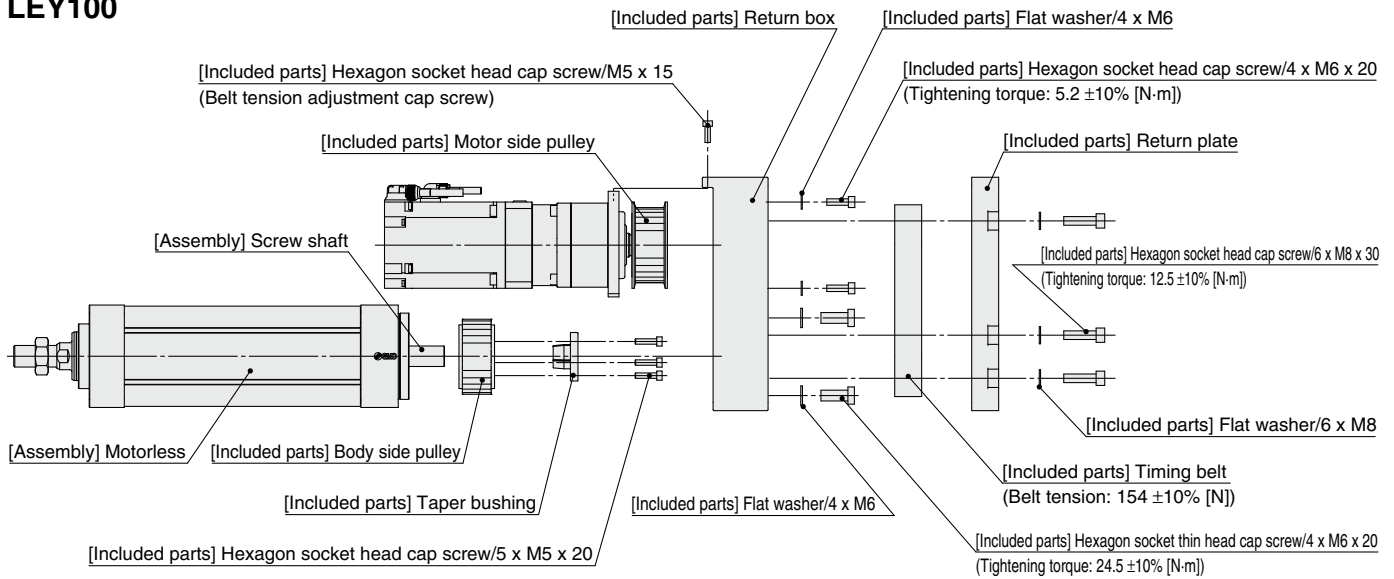
Description	Quantity
	Motor type NZ/NY/NW/NT
Motor flange	1
Motor pulley	1
Return plate	1
Timing belt	1
Hexagon socket head cap screw (to mount the return plate)	4
Hexagon socket head cap screw (to mount the motor flange)	4
Hexagon socket head cap screw (to secure the pulley)	1
O-ring	1

# LEY/LEYG Series

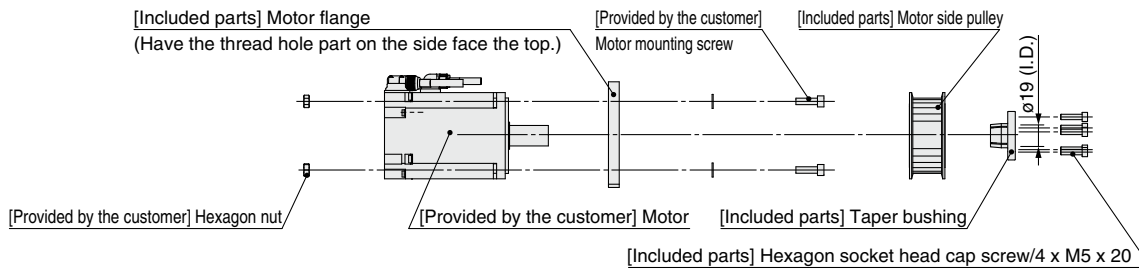
Motorless Type

## Motor Mounting: Parallel

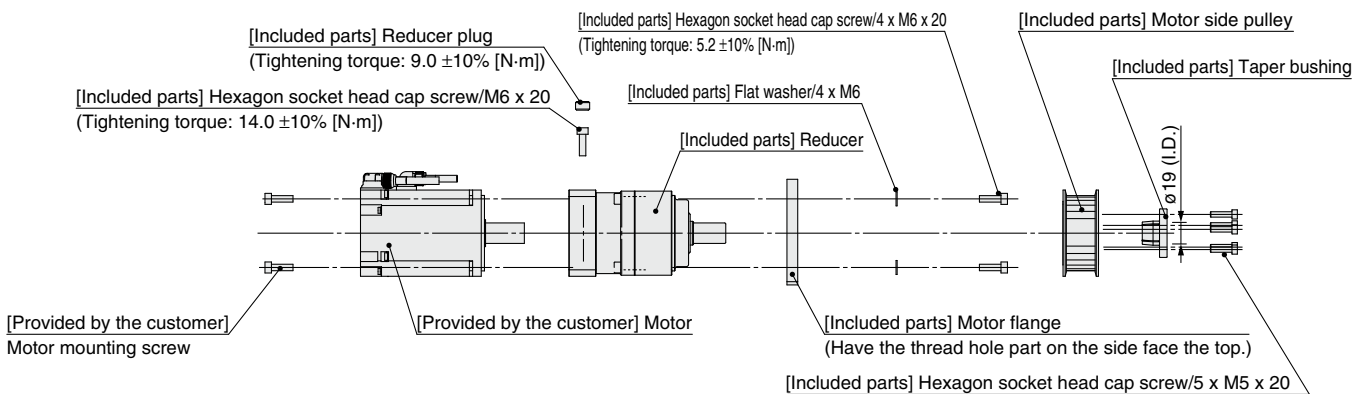
### LEY100



### LEY-MF100P-NG



### LEY-MF100P-NG3/LEY-MF100P-NG5





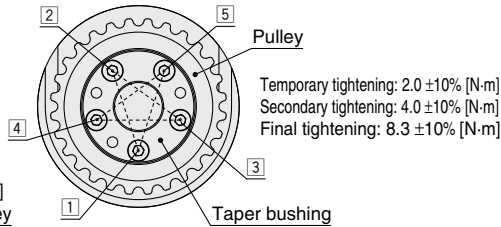
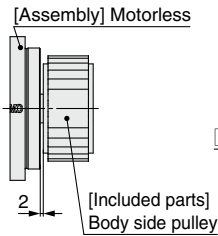
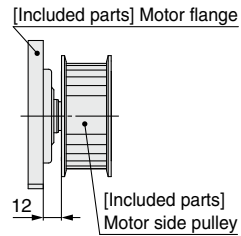
## Motor Mounting: Parallel

### Pulley mounting procedure

#### LEY100

##### Motor side pulley

##### Body side pulley



#### Mounting procedure

- Loosen hexagon socket head cap screws ① to ⑤ on the pulley and taper bushing.
- Mount the pulley in the correct position.
- Going in order from screws ① to ⑤, perform temporary tightening, secondary tightening, and then the final tightening in that order.
- Tighten the screw to the final tightening torque.

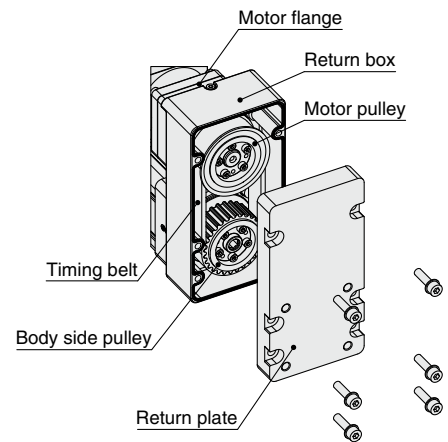
### Mounting Diagram

#### Mounting procedure (LEY-MF100P-NG)

- Secure the motor flange to the motor (provided by the customer) using the motor mounting screws (provided by the customer) and hexagon nuts (provided by the customer).
- Secure the motor side pulley to the motor. (Refer to the pulley mounting procedure.)
- Secure the body side pulley to the motorless screw shaft. (Refer to the pulley mounting procedure.)
- Secure the return box to the motorless with the hexagon socket thin head cap screws.
- Attach the timing belt to the motor pulley and body side pulley, and secure the return box to the motor adapter by temporarily tightening the hexagon socket thin head cap screws. (Refer to the mounting diagram.)
- Secure the return box to the motor adapter with the hexagon socket head cap screw (belt tension adjustment cap screw). Then, adjust the belt tension and fully tighten the hexagon socket thin head cap screws.
- Secure the return plate with the hexagon socket head cap screws.

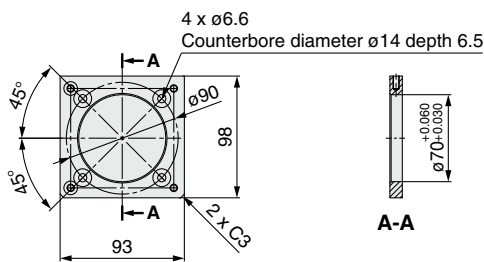
#### Mounting procedure (LEY-MF100P-NG3/LEY-MF100P-NG5)

- Insert the plug after securing the reducer to the motor (provided by the customer) with the M6 x 20 hexagon socket head cap screws.
- Secure the reducer to the motor with the M6 motor mounting screws (provided by the customer).
- Secure the motor flange to the reducer with the M6 x 20 hexagon socket head cap screws.
- Secure the motor side pulley to the motor. (Refer to the pulley mounting procedure.)
- Secure the body side pulley to the motorless screw shaft. (Refer to the pulley mounting procedure.)
- Secure the return box to the motorless with the hexagon socket thin head cap screws.
- Attach the timing belt to the motor pulley and body side pulley, and secure the return box to the motor adapter by temporarily tightening the hexagon socket thin head cap screws. (Refer to the mounting diagram.)
- Secure the return box to the motor adapter with the hexagon socket head cap screw (belt tension adjustment cap screw). Then, adjust the belt tension and fully tighten the hexagon socket thin head cap screws.
- Secure the return plate with the hexagon socket head cap screws.

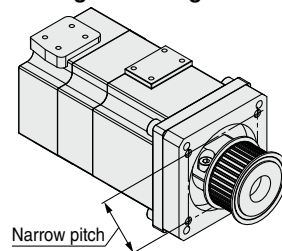


### Motor flange details

#### LEY100



⚠ Be careful about the motor flange mounting direction.



### Included Parts List

Symbol	Motor type	Component parts							
		A. Return box	B. Return plate	C. Pulley		D. Timing belt	E. Motor flange	F. Reducer	
				Actuator side	Motor side			Reduction ratio 1/3	Reduction ratio 1/5
NG	Mounting type G	●	●	●	●	●	●	—	—
NG3	Mounting type G + With reducer*	●	●	●	●	●	●	●	—
NG5	Mounting type G + With reducer*	●	●	●	●	●	●	—	●
N	Without motor flange	●	●	●	△	●	△	△	△

\* The parts marked with a ● are component parts. The parts marked with a △ should be prepared by the customer as necessary.

\* Component parts come with mounting screws.

\* The motor mounting screws should be provided by the customer.

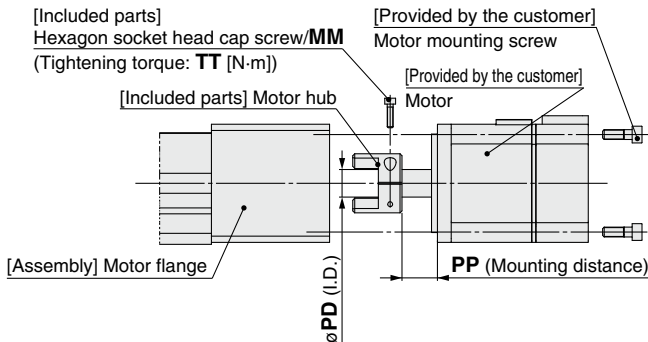
# LEY/LEYG Series

Motorless Type

- The motor and motor mounting screws should be provided by the customer.
- Motor shaft type should be cylindrical for the NZ, NY, NX, NW, NM2 mounting types, and D-cut type for the NM1 mounting type.
- When mounting a hub, remove all oil content, dust, and dirt adhered to the shaft and the inside of the hub.
- Take measures to prevent the loosening of the motor mounting screws and hexagon socket head set screws.

## Motor Mounting: In-line

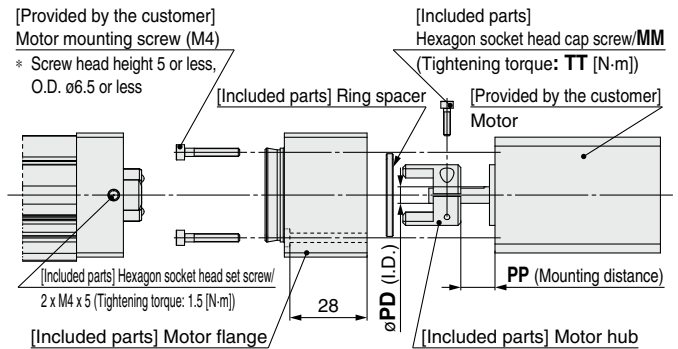
### LEY<sub>32</sub>D, LEYG<sub>32</sub>□D



#### Mounting procedure

- 1) Secure the motor hub to the motor (provided by the customer) with the MM hexagon socket head cap screw.
- 2) Check the motor hub position, and then insert it. (Refer to the mounting diagram.)
- 3) Secure the motor to the motor flange with the motor mounting screws (provided by the customer).

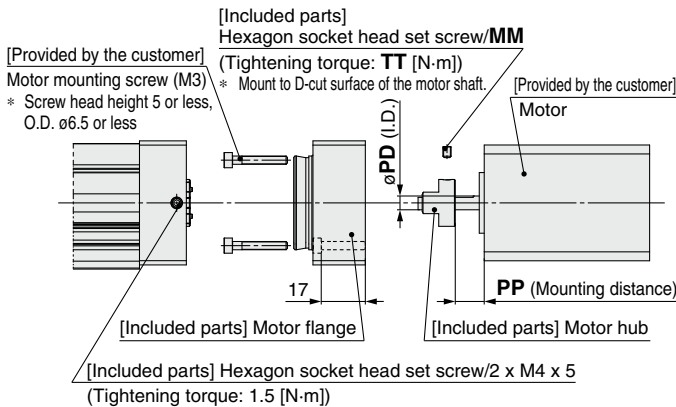
### LEY25D, LEYG25□D: NM2



#### Mounting procedure

- 1) Insert the ring spacer into the motor (provided by the customer).
- 2) Secure the motor hub to the motor (provided by the customer) with the M2.5 x 10 hexagon socket head cap screw.
- 3) Secure the motor to the motor flange with the motor mounting screws (provided by the customer).
- 4) Check the motor hub position, and then insert it. (Refer to the mounting diagram.)
- 5) Secure the motor flange with the M4 x 5 hexagon socket head set screws.

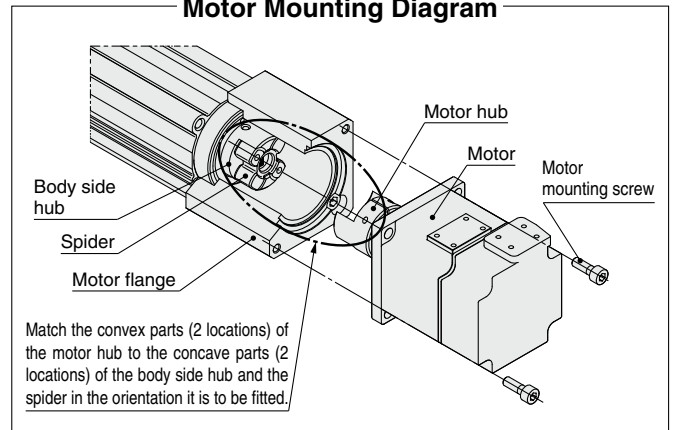
### LEY25D, LEYG25□D: NM1



#### Mounting procedure

- 1) Secure the motor hub to the motor (provided by the customer) with the M3 x 4 hexagon socket head set screw.
- 2) Secure the motor to the motor flange with the motor mounting screws (provided by the customer).
- 3) Check the motor hub position, and then insert it. (Refer to the mounting diagram.)
- 4) Secure the motor flange with the M4 x 5 hexagon socket head set screws.

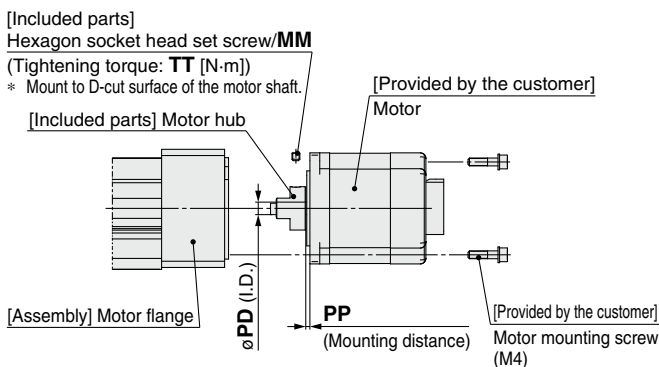
### Motor Mounting Diagram



### Dimensions

		[mm]				
Size	Mounting type	MM	TT	PD	PP	
25	NZ	M2.5 x 10	1.0	8	12.5	
	NY	M2.5 x 10	1.0	8	12.5	
	NX	M2.5 x 10	1.0	8	7	
	NM1	M3 x 5	0.63	5	10.5	
32	NM2	M2.5 x 10	1.0	6	12.4	
	NZ	M3 x 12	1.5	14	18	
	NY	M4 x 12	3.6	11	18	
	NX	M4 x 12	3.6	9	5	
	NW	M4 x 12	3.6	9	12	
	NV	M4 x 12	3.6	9	5	
	NU	M4 x 12	3.6	11	12	
	NT	M3 x 12	1.5	12	18	
	NM1	M4 x 5	1.5	6.35	2.1	
	NM2	M4 x 12	3.6	10	12	

### LEY32D, LEYG32□D: NM1



#### Mounting procedure

- 1) Secure the motor hub to the motor (provided by the customer) with the MM hexagon socket head set screw.
- 2) Check the motor hub position, and then insert it. (Refer to the mounting diagram.)
- 3) Secure the motor to the motor block with the motor mounting screws (provided by the customer).

### Included Parts List

#### Size: 25

Description	Quantity			
	Mounting type	NZ/NY/NX	NM1	NM2
Motor hub	1	1	1	
Hexagon socket head cap screw (to secure the hub)	1	—	1	
Motor flange	—	1	1	
Hexagon socket head set screw (to secure the hub)	—	1	—	
Hexagon socket head set screw (to secure the motor flange)	—	2	2	
Ring spacer	—	—	1	

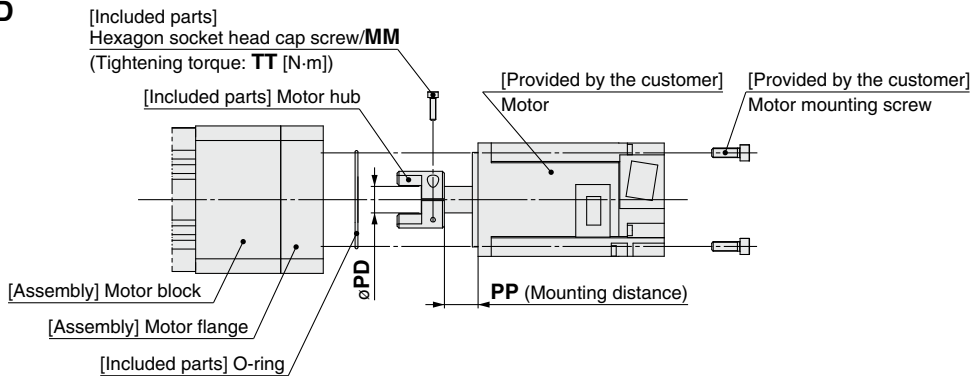
#### Size: 32

Description	Quantity	
	Mounting type	NZ/NY/NX/NW/NV/NU/NT/NM2
Motor hub	1	1
Hexagon socket head cap screw (to secure the hub)	1	—
Hexagon socket head set screw (to secure the hub)	—	1

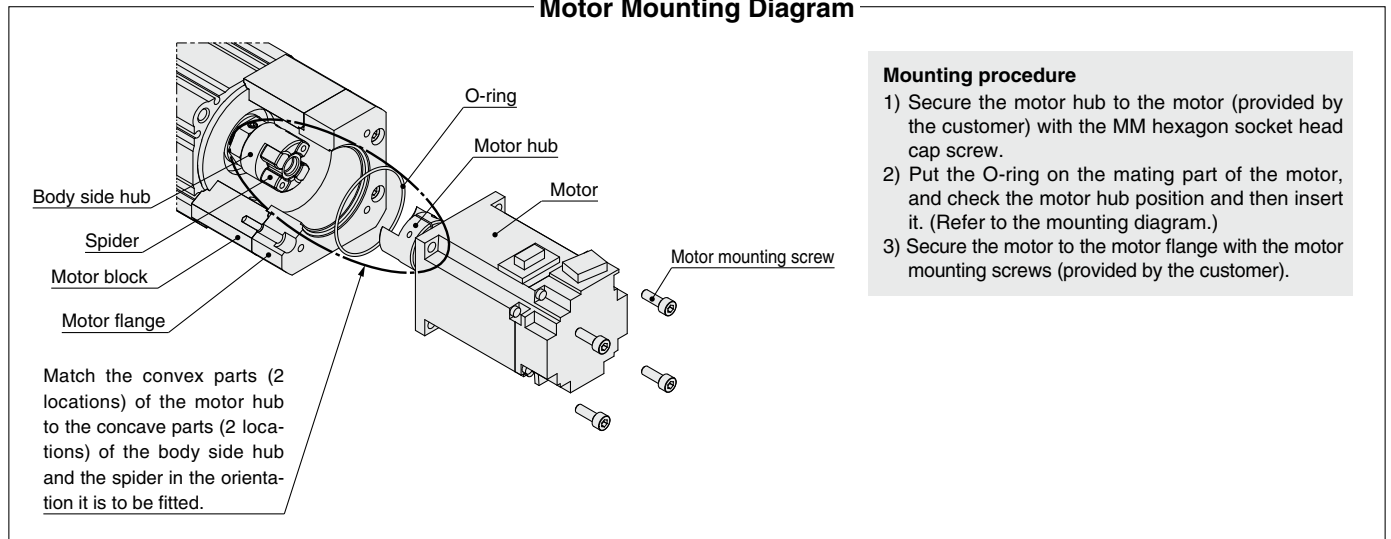
- The motor and motor mounting screws should be provided by the customer.
- Prepare a motor with a round shaft end.
- When mounting a hub, remove all oil content, dust, and dirt adhered to the shaft and the inside of the hub.
- Take measures to prevent the loosening of the motor mounting screws.

## Motor Mounting: In-line

### LEY63D



### Motor Mounting Diagram



- Mounting procedure**
- 1) Secure the motor hub to the motor (provided by the customer) with the MM hexagon socket head cap screw.
  - 2) Put the O-ring on the mating part of the motor, and check the motor hub position and then insert it. (Refer to the mounting diagram.)
  - 3) Secure the motor to the motor flange with the motor mounting screws (provided by the customer).

### Dimensions

Size	Mounting type	MM	TT	PD	PP
63	NZ	M3 x 12	1.5	14	17.7
	NY				
	NX	M4 x 12	3.6	9	6.7
	NW				11.7
	NV	M4 x 12	3.6	9	6.7
	NU	M4 x 12	3.6	11	11.7
NT	M3 x 12	1.5	12	17.7	

### Included Parts List

#### Size: 63

Description	Quantity
	Mounting type
Motor hub	1
Hexagon socket head cap screw (to secure the hub)	1
O-ring	1

Model Selection

LEKFS

LEFS

LEFB

LEJS

LET-X11

LEY

LEYG

LESYH

Motor Mounting

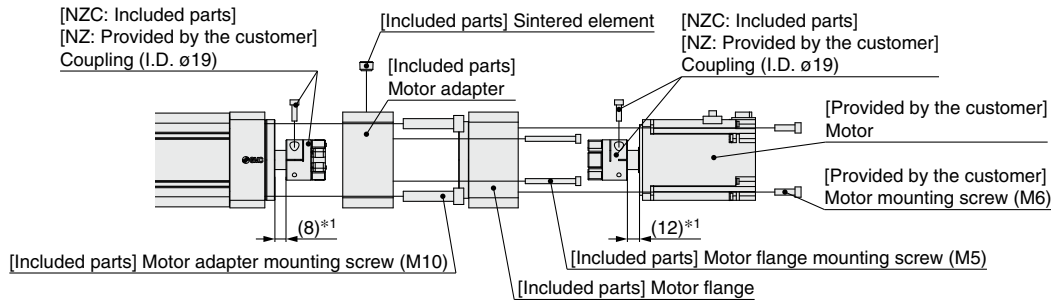
# LEY/LEYG Series

Motorless Type

## Motor Mounting: In-line

### LEY100D: LEY-MF100D-NZC

#### LEY-MF100D-NZ (Without coupling)



#### Mounting procedure

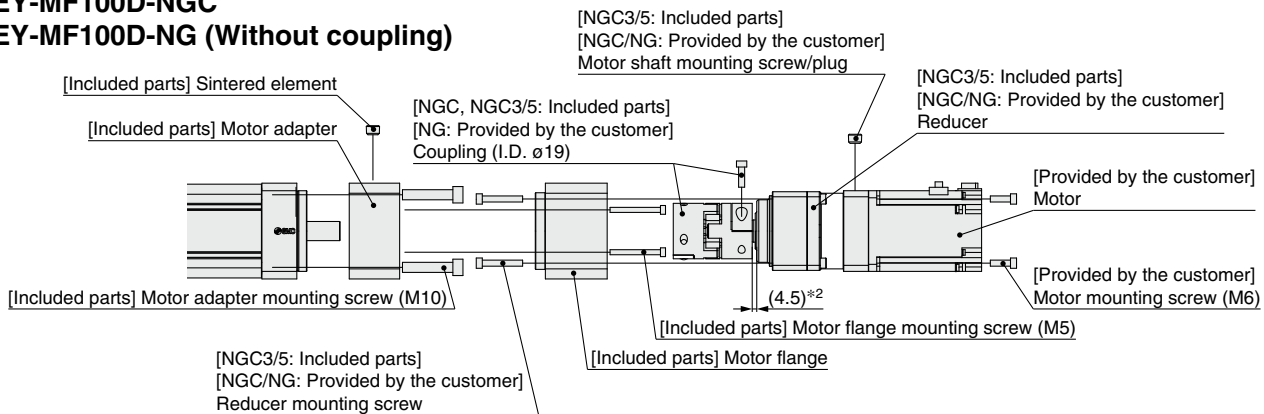
- 1) Separate the coupling, and attach half to the motor side and the other half to the actuator side.
- 2) Attach one half of the coupling to the actuator side using one of the screws included with the coupling.
- 3) Attach the motor adapter to the actuator using the M10 motor adapter mounting screws.
- 4) Attach the sintered element to the motor adapter.
- 5) Attach the motor flange to the motor adapter using the M5 motor flange mounting screws.
- 6) Attach the other half of the coupling to the motor (provided by the customer) side using the other screw included with the coupling.
- 7) Attach the motor to the motor flange using the M6 motor mounting screws (provided by the customer).  
(Align the two sides of the coupling so that they fit together.)

\*1 Dimensions when mounting type "NZC" (with coupling) is selected  
When option "NZ" (without coupling) is selected, attach at a suitable position taking the recommended value of the coupling (provided by the customer) as well as the motor flange dimensions into consideration.

### LEY-MF100D-NGC3/5 (Reducer included)

#### LEY-MF100D-NGC

#### LEY-MF100D-NG (Without coupling)



#### Mounting procedure

- 1) Attach the motor adapter to the actuator using the M10 motor adapter mounting screws.
- 2) Attach the coupling to the reducer using the screw included with the coupling.
- 3) Attach the motor flange to the reducer using the M6 reducer mounting screws.
- 4) Attach the motor flange to the motor adapter using the M5 motor flange mounting screws.
- 5) Attach the coupling to the actuator using the screw included with the coupling.  
(Tighten the coupling from the hole above the motor adapter sintered element.)
- 6) Attach the sintered element to the motor adapter.
- 7) After attaching the motor to the reducer using the motor shaft mounting screw, attach a plug.
- 8) Attach the motor to the reducer using the M6 motor mounting screws (provided by the customer).

\*2 Dimension when mounting type "NGC" or "NGC3/5" (with coupling) is selected  
When option "NG" (without coupling) is selected, attach at a suitable position taking the recommended value of the coupling (provided by the customer) as well as the motor flange dimensions into consideration.

## Included Parts List

Description	Quantity						Tightening torque [N·m] (Reference value)
	Mounting type						
	NZ	NZC	NG	NGC	NGC3/5	N	
Motor adapter	1	1	1	1	1	1	—
Sintered element	2	2	2	2	2	2	9.0
Motor adapter mounting screw (M10)	4	4	4	4	4	4	24.5
Motor flange	1	1	1	1	1	—	—
Motor flange mounting screw (M5)	4	4	4	4	4	—	3.0
Coupling (O.D. ø40/I.D. ø19)	—	1	—	—	—	—	8.0
Coupling (O.D. ø55/I.D. ø19)	—	—	—	1	1	—	14.0
Reducer	—	—	—	—	1	—	14.0
Reducer mounting screw	—	—	—	—	4	—	5.2

# LEY/LEYG Series Motor Mounting Parts

## Motor Flange Option

A motor can be added to the motorless specification after purchase. The applicable mounting types are shown below. (Except NM1 and NM3)  
Use the following part numbers to select a compatible motor flange option and place an order.

## How to Order

LEY - MF **25**   - **NZ**

①
②
③

### ① Size

25	For LEY25/LEYG25
32	For LEY32/LEYG32
63	For LEY63

### ② Motor mounting position

P	Parallel
PL*1	Parallel (Lead L)
D	In-line

\*1 Size 63 only

### ③ Mounting type

NZ	NV
NY	NU
NX	NT
NW	NM2

\* Refer to "Compatible Motors and Mounting Types" below.

## Compatible Motors and Mounting Types\*4

Applicable motor model		Size/Mounting type											
Manufacturer	Series	25				32/63							
		NZ	NY	NX	NM2	NZ	NY	NX	NW	NV	NU	NT	NM2
Mitsubishi Electric Corporation	MELSERVO JN/J4/J5	●	—	—	—	●	—	—	—	—	—	—	—
YASKAWA Electric Corporation	Σ-V/7/X	●	—	—	—	●	—	—	—	—	—	—	—
SANYO DENKI CO., LTD.	SANMOTION R	●	—	—	—	●	—	—	—	—	—	—	—
OMRON Corporation	OMNUC G5/1S	●	—	—	—	—	●	—	—	—	—	—	—
Panasonic Corporation	MINAS A5/A6	(MHMF only)	●	—	—	—	●	—	—	—	—	—	—
FANUC CORPORATION	βis (-B)	●	—	—	—	(β1 only)	—	—	●	—	—	—	—
NIDEC SANKYO CORPORATION	S-FLAG	●	—	—	—	●	—	—	—	—	—	—	—
KEYENCE CORPORATION	SV/SV2	●	—	—	—	●	—	—	—	—	—	—	—
FUJI ELECTRIC CO., LTD.	ALPHA7	●	—	—	—	●	—	—	—	—	—	—	—
ORIENTAL MOTOR Co., Ltd.	α STEP AR/AZ	—	—	—	● AR/AZ (46 only)	—	—	—	—	—	—	—	●*3
Rockwell Automation, Inc. (Allen-Bradley)	Kinetix MP/VP/TL	● (TL only)	—	—	—	—	—	—	●*1 (MP/VP only)	—	—	—	● (TL only)
Beckhoff Automation GmbH	AM 30/31/80/81	●	—	—	—	—	—	—	●*1 (AM80/ AM81 only)	—	●*1 (AM30 only)	●*2 (AM31 only)	—
Siemens AG	SIMOTICS S-1FK7	—	—	●	—	—	—	—	●*1	—	—	—	—
Delta Electronics, Inc.	ASDA-A2	●	—	—	—	●	—	—	—	—	—	—	—
ANCA Motion	AMD2000	●	—	—	—	●	—	—	—	—	—	—	—

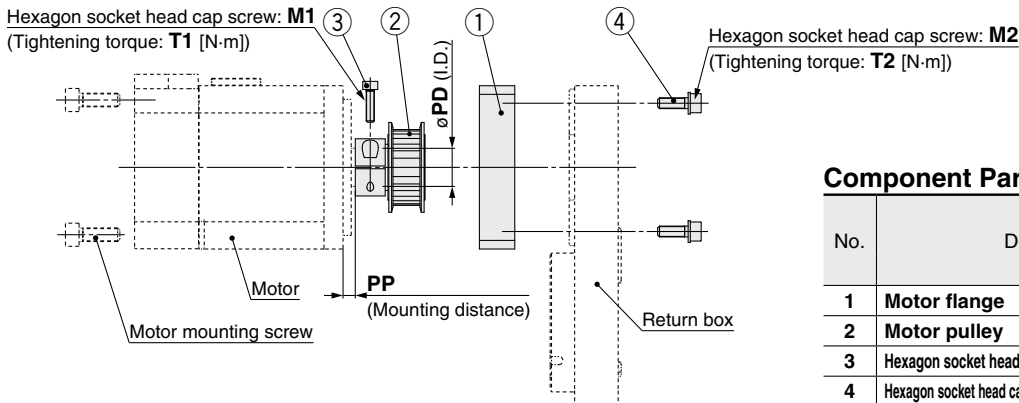
\* When the LEY□<sup>25</sup>□<sub>NM3</sub>□□ or LEY□G<sup>25</sup>□□<sub>NM3</sub>□□ is purchased, it is not possible to change to other mounting types.

- \*1 Motor mounting position: In-line only
- \*2 Only in-line type is available for size 63.
- \*3 Except size 63
- \*4 The compatible motors and mounting types are typical examples. Select the mounting type after referring to the "Motor Mounting, Applicable Motor Dimensions" tables on the following actuator body "Dimensions" pages.

# LEY/LEYG Series

## Dimensions: Motor Flange Option

### Motor mounting position: Parallel

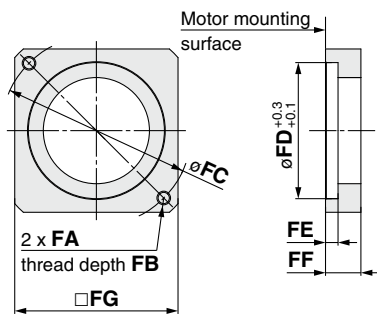


### Component Parts

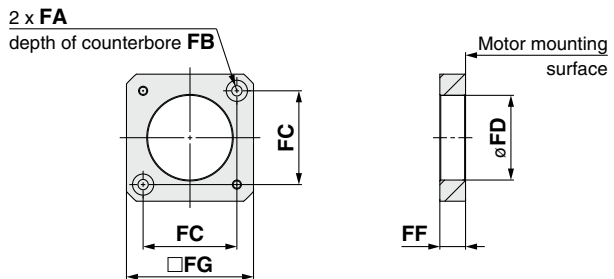
No.	Description	Quantity	
		25, 32	63
1	Motor flange	1	1
2	Motor pulley	1	1
3	Hexagon socket head cap screw (to secure the pulley)	1	1
4	Hexagon socket head cap screw (to mount the motor flange)	2	4

### Motor flange details

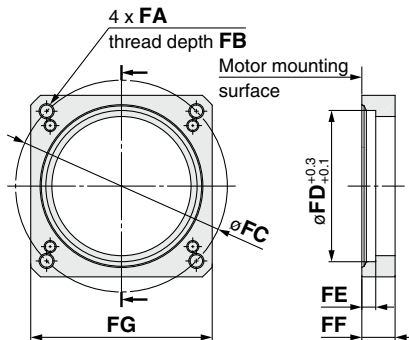
#### Size: 25, 32



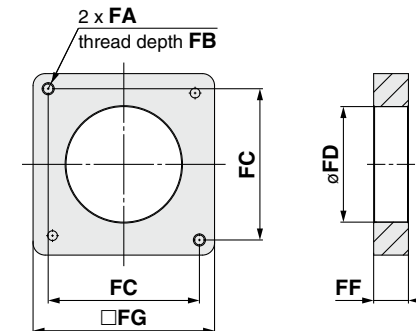
#### Size 25: NM2



#### Size: 63



#### Size 32: NM2



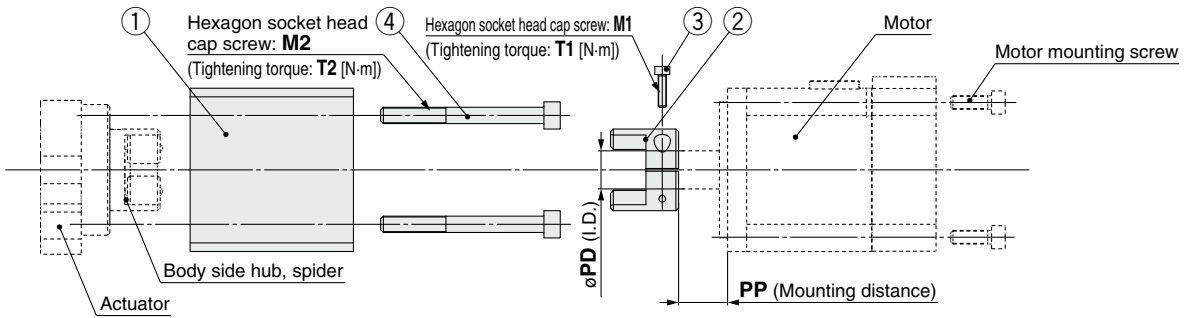
### Dimensions

Size	Motor type	FA	FB	FC	FD	FE	FF	FG	M1	T1	M2	T2	PD	PP
25	NZ	M4 x 0.7	7.5	46	30	3.7	11	42	M2.5 x 10	1.0	M3 x 8	0.63	8	7.5
	NY	M3 x 0.5	5.5	45	30	5	11	42	M2.5 x 10	1.0	M3 x 8	0.63	8	7.5
	NX	M4 x 0.7	7	46	30	3.7	8	42	M2.5 x 10	1.0	M3 x 8	0.63	8	4.5
	NM2	$\phi 3.4$	7	31	30	3.7	8.5	42	M2.5 x 10	1.0	M3 x 8	0.63	6	4.8
32	NZ	M5 x 0.8	8.5	70	50	4.6	13	60	M3 x 12	1.5	M4 x 12	1.5	14	4.5
	NY	M4 x 0.7	7	70	50	4.6	13	60	M3 x 12	1.5	M4 x 12	1.5	11	4.5
	NW	M5 x 0.8	8.5	70	50	4.6	13	60	M4 x 12	3.6	M4 x 12	1.5	9	4.5
	NU	M5 x 0.8	8.5	70	50	4.6	13	60	M3 x 12	1.5	M4 x 12	1.5	11	4.5
	NT	M5 x 0.8	8.5	70	50	4.6	17	60	M3 x 12	1.5	M4 x 12	1.5	12	8.5
63	NM2	M4 x 0.7	8	50	38.2	—	11.5	60	M3 x 12	1.5	M4 x 12	1.5	10	3
	NZ	M5 x 0.8	8.5	70	50	4.6	11	60	M4 x 12	3.6	M4 x 12	2.7	14	4.5
	NY	M4 x 0.7	8	70	50	4.6	11	60	M4 x 12	3.6	M4 x 12	2.7	14	4.5
	NW	M5 x 0.8	8.5	70	50	4.6	11	60	M4 x 12	3.6	M4 x 12	2.7	9	4.5
	NT	M5 x 0.8	8.5	70	50	4.6	14.5	60	M4 x 12	3.6	M4 x 12	2.7	12	8

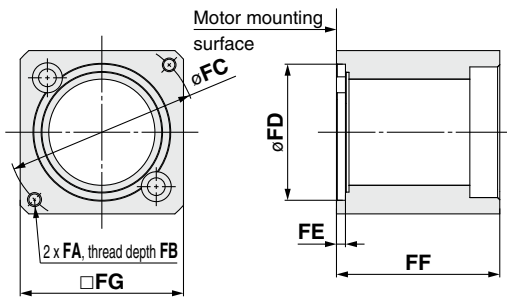


## Dimensions: Motor Flange Option

### Motor mounting position: In-line [Size: 25, 32]



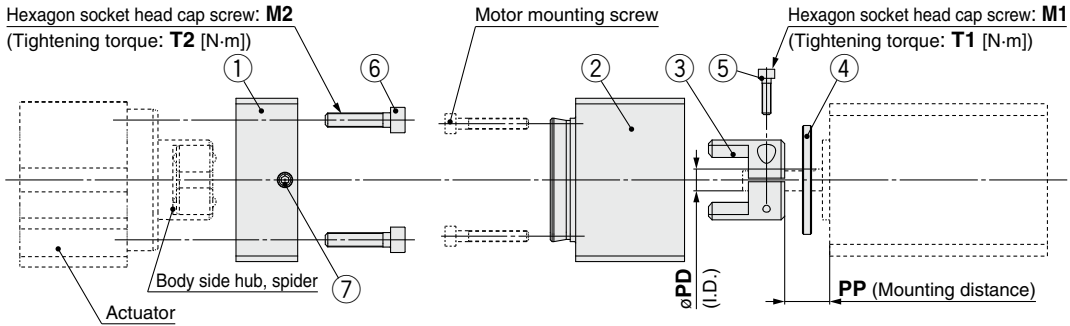
#### Motor flange details



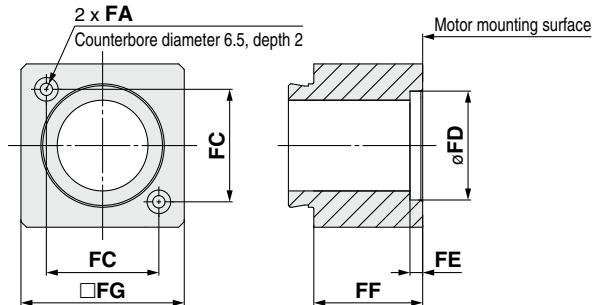
#### Component Parts

No.	Description	Quantity
1	Motor flange	1
2	Motor hub	1
3	Hexagon socket head cap screw (to secure the hub)	1
4	Hexagon socket head cap screw (to mount the motor block)	2

### Size: 25, Motor type: NM2



#### Motor flange B details



#### Component Parts

No.	Description	Quantity
1	Motor flange A	1
2	Motor flange B	1
3	Motor hub	1
4	Ring spacer	1
5	Hexagon socket head cap screw (to secure the hub)	1
6	Hexagon socket head cap screw (to mount the motor flange A)	2
7	Hexagon socket head set screw (to secure the motor flange B)	2

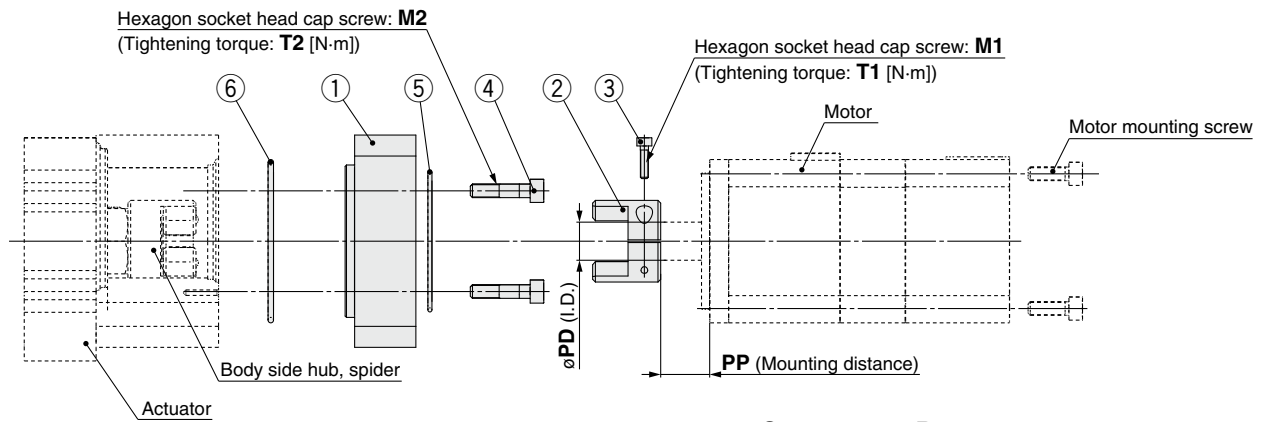
### Dimensions

Size	Motor type	FA	FB	FC	FD	FE	FF	FG	M1	T1	M2	T2	PD	PP
25	NZ	M4 x 0.7	7.5	46	30	3.7	47	45	M2.5 x 10	1.0	M4 x 40	1.5	8	12.5
	NY	M3 x 0.5	6	45	30	4.2	47	45	M2.5 x 10	1.0	M4 x 40	1.5	8	12.5
	NX	M4 x 0.7	7.5	46	30	3.7	47	45	M2.5 x 10	1.0	M4 x 40	1.5	8	7
	NM2	$\phi 3.4$	28	31	22	2.5	30	45	M2.5 x 10	1.0	M4 x 40	1.5	6	12.4
32	NZ	M5 x 0.8	8.5	70	50	3.3	60	60	M3 x 12	1.5	M6 x 60	5.2	14	18
	NY	M4 x 0.7	8	70	50	3.3	60	60	M4 x 12	3.6	M6 x 60	5.2	11	18
	NX	M5 x 0.8	8.5	63	40	3.5	63	60	M4 x 12	3.6	M6 x 60	5.2	9	5
	NW	M5 x 0.8	8.5	70	50	3.3	60	60	M4 x 12	3.6	M6 x 60	5.2	9	12
	NV	M4 x 0.7	8	63	40	3.3	63	60	M4 x 12	3.6	M6 x 60	5.2	9	5
	NU	M5 x 0.8	8.5	70	50	3.3	60	60	M4 x 12	3.6	M6 x 60	5.2	11	12
	NT	M5 x 0.8	8.5	70	50	3.3	60	60	M3 x 12	1.5	M6 x 60	5.2	12	18
NM2	M4 x 0.7	8	50	36	3.3	60	60	M4 x 12	3.6	M6 x 60	5.2	10	12	

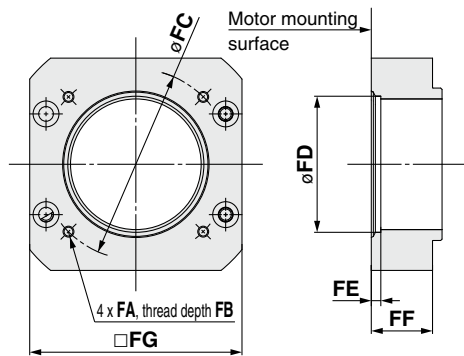
# LEY/LEYG Series

## Dimensions: Motor Flange Option

### Motor mounting position: In-line [Size: 63]



#### Motor flange details



#### Component Parts

No.	Description	Quantity
1	Motor flange	1
2	Motor hub	1
3	Hexagon socket head cap screw (to secure the hub)	1
4	Hexagon socket head cap screw (to mount the motor adapter)	4
5	O-ring (Wire diameter ø1.5)	1
6	O-ring (Wire diameter ø2.0)	1

#### Dimensions

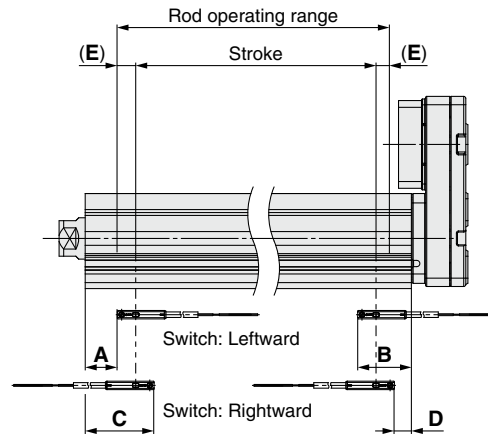
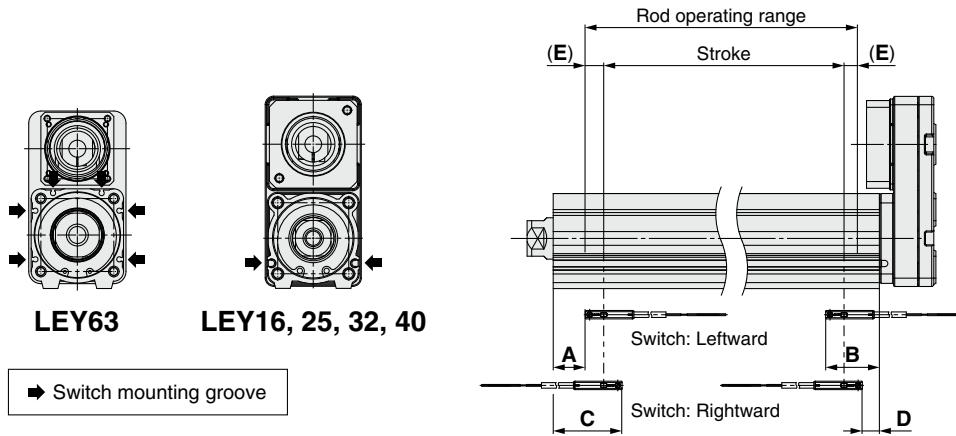
Size	Motor type	FA	FB	FC	FD	FE	FF	FG	M1	T1	M2	T2	PD	PP
63	NZ	M5 x 0.8	10	70	50	3.5	22.5	78	M3 x 12	1.5	M5 x 22	3	14	17.7
	NY	M4 x 0.7	8	70	50	3.5	22.5	78	M3 x 12	1.5	M5 x 22	3	14	17.7
	NX	M5 x 0.8	10	63	40	3.5	27.5	78	M4 x 12	3.6	M5 x 22	3	9	6.7
	NW	M5 x 0.8	10	70	50	3.5	22.5	78	M4 x 12	3.6	M5 x 22	3	9	11.7
	NV	M4 x 0.7	8	63	40	3.5	27.5	78	M4 x 12	3.6	M5 x 22	3	9	6.7
	NU	M5 x 0.8	10	70	50	3.5	22.5	78	M4 x 12	3.6	M5 x 22	3	11	11.7
	NT	M5 x 0.8	10	70	50	3.5	22.5	78	M3 x 12	1.5	M5 x 22	3	12	17.7



# LEY Series Auto Switch Mounting

## Auto Switch Proper Mounting Position

Applicable auto switch: D-M9□(V), D-M9□E(V), D-M9□W(V), D-M9□A(V)

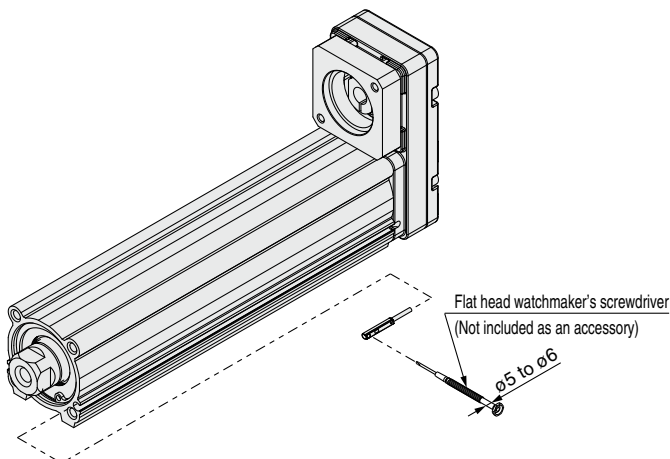


Size	Stroke range	Auto switch position				Return to origin distance	Operating range
		Leftward mounting		Rightward mounting			
		A	B	C	D		
25	15 to 100	27	62.5	39	50.5	(2)	4.2
	105 to 400	52		64			
32	20 to 100	30.5	65.5	42.5	53.5	(2)	4.9
	105 to 500	60.5		72.5			
63	50 to 200	37	86	49	74	(4)	9.8
	205 to 500	72		84			
	505 to 800	107		119			

- \* The values in the table to the left are to be used as a reference when mounting auto switches for stroke end detection. Adjust the auto switch after confirming the operating conditions in the actual setting.
- \* An auto switch cannot be mounted on the same side as a motor.
- \* For LEYG series models (with a guide), an auto switch cannot be mounted on the guide attachment side (rod side).
- \* Since the operating range is provided as a guideline including hysteresis, it cannot be guaranteed (assuming approx.  $\pm 30\%$  dispersion). It may change substantially depending on the ambient environment.

## Auto Switch Mounting

Size: 16, 25, 32, 40, 63



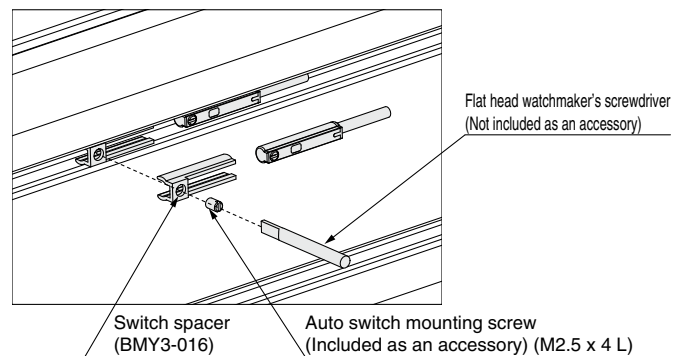
### Tightening Torque for Auto Switch Mounting Screw [N·m]

Auto switch model	Tightening torque
D-M9□(V) D-M9□E(V) D-M9□W(V)	0.05 to 0.15
D-M9□A(V)	0.05 to 0.10

- \* When tightening the auto switch mounting screw (included with the auto switch), use a watchmaker's screwdriver with a handle diameter of 5 to 6 mm.

Size: 100

A switch spacer is required in order to mount an auto switch. When mounting an auto switch, first, hold a switch spacer between your fingers and press it into the slot. When doing this, confirm that it is set in the correct mounting orientation, or reinsert it if necessary. Next, insert the auto switch into the slot and slide it until it is positioned under the switch spacer. After confirming the mounting position, use a flat head watchmaker's screwdriver to tighten the included auto switch mounting screw.



### Switch Spacer Part No.

Switch spacer	BMY3-016
---------------	----------

### Tightening Torque for Auto Switch Mounting Screw

Auto switch model	Tightening torque
D-M9□(V) D-M9□W(V)	0.10 to 0.15

# Solid State Auto Switch Direct Mounting Type D-M9N(V)/D-M9P(V)/D-M9B(V)



Refer to the SMC website for details on products that are compliant with international standards.

## Auto Switch Specifications

PLC: Programmable Logic Controller

D-M9□, D-M9□V (With indicator light)						
Auto switch model	D-M9N	D-M9NV	D-M9P	D-M9PV	D-M9B	D-M9BV
Electrical entry direction	In-line	Perpendicular	In-line	Perpendicular	In-line	Perpendicular
Wiring type	3-wire				2-wire	
Output type	NPN		PNP		—	
Applicable load	IC circuit, Relay, PLC				24 VDC relay, PLC	
Power supply voltage	5, 12, 24 VDC (4.5 to 28 V)				—	
Current consumption	10 mA or less				—	
Load voltage	28 VDC or less		—		24 VDC (10 to 28 VDC)	
Load current	40 mA or less				2.5 to 40 mA	
Internal voltage drop	0.8 V or less at 10 mA (2 V or less at 40 mA)				4 V or less	
Leakage current	100 μA or less at 24 VDC				0.8 mA or less	
Indicator light	Red LED illuminates when turned ON.					
Standards	CE/UKCA marking					

### Grommet

- 2-wire load current is reduced (2.5 to 40 mA).
- Using flexible cable as standard spec.



## Oilproof Flexible Heavy-duty Lead Wire Specifications

Auto switch model		D-M9N(V)	D-M9P(V)	D-M9B(V)
Sheath	Outside diameter [mm]	ø2.6		
Insulator	Number of cores	3 cores (Brown/Blue/Black)		2 cores (Brown/Blue)
	Outside diameter [mm]	ø0.88		
Conductor	Effective area [mm <sup>2</sup> ]	0.15		
	Strand diameter [mm]	ø0.05		
Min. bending radius [mm] (Reference values)		17		

- \* Refer to the **Web Catalog** for solid state auto switch common specifications.
- \* Refer to the **Web Catalog** for lead wire lengths.

### Caution

#### Precautions

Fix the auto switch with the existing screw installed on the auto switch body. The auto switch may be damaged if a screw other than the one supplied is used.

## Weight

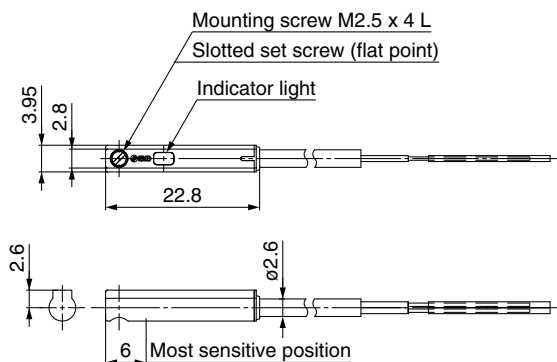
[g]

Auto switch model		D-M9N(V)	D-M9P(V)	D-M9B(V)
Lead wire length	0.5 m (Nil)	8	7	7
	1 m (M)	14	13	13
	3 m (L)	41	38	38
	5 m (Z)	68	63	63

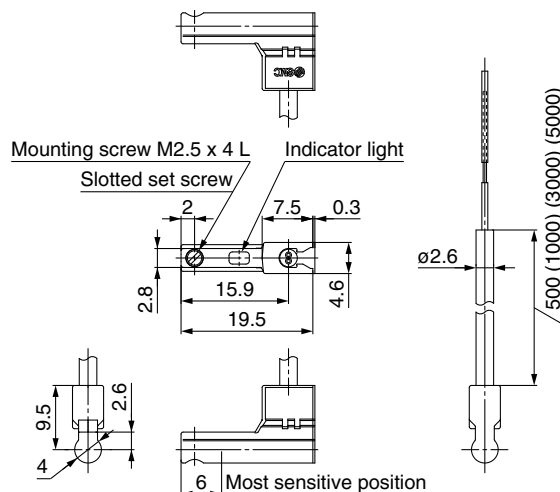
## Dimensions

[mm]

### D-M9□



### D-M9□V



# Normally Closed Solid State Auto Switch Direct Mounting Type D-M9NE(V)/D-M9PE(V)/D-M9BE(V)



Refer to the SMC website for details on products that are compliant with international standards.

PLC: Programmable Logic Controller

## Auto Switch Specifications

D-M9□E, D-M9□EV (With indicator light)						
Auto switch model	D-M9NE	D-M9NEV	D-M9PE	D-M9PEV	D-M9BE	D-M9BEV
Electrical entry direction	In-line	Perpendicular	In-line	Perpendicular	In-line	Perpendicular
Wiring type	3-wire				2-wire	
Output type	NPN		PNP		—	
Applicable load	IC circuit, Relay, PLC				24 VDC relay, PLC	
Power supply voltage	5, 12, 24 VDC (4.5 to 28 V)				—	
Current consumption	10 mA or less				—	
Load voltage	28 VDC or less		—		24 VDC (10 to 28 VDC)	
Load current	40 mA or less				2.5 to 40 mA	
Internal voltage drop	0.8 V or less at 10 mA (2 V or less at 40 mA)				4 V or less	
Leakage current	100 μA or less at 24 VDC				0.8 mA or less	
Indicator light	Red LED illuminates when turned ON.					
Standards	CE/UKCA marking					

## Oilproof Flexible Heavy-duty Lead Wire Specifications

Auto switch model		D-M9NE(V)	D-M9PE(V)	D-M9BE(V)
Sheath	Outside diameter [mm]	ø2.6		
Insulator	Number of cores	3 cores (Brown/Blue/Black)		2 cores (Brown/Blue)
	Outside diameter [mm]	ø0.88		
Conductor	Effective area [mm <sup>2</sup> ]	0.15		
	Strand diameter [mm]	ø0.05		
Min. bending radius [mm] (Reference values)		17		

\* Refer to the **Web Catalog** for solid state auto switch common specifications.  
\* Refer to the **Web Catalog** for lead wire lengths.

## Weight

Auto switch model		D-M9NE(V)	D-M9PE(V)	D-M9BE(V)
Lead wire length	0.5 m (Nil)	8	7	7
	1 m (M)*1	14	13	13
	3 m (L)	41	38	38
	5 m (Z)*1	68	63	63

\*1 The 1 m and 5 m options are produced upon receipt of order.

## Grommet

- Output signal turns on when no magnetic force is detected.
- Can be used for the actuator adopted by the solid state auto switch D-M9 series (excluding special order products)



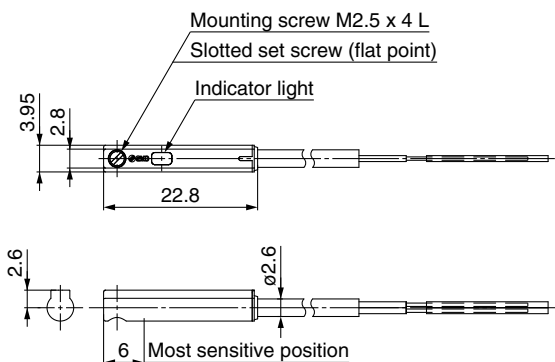
## Caution

### Precautions

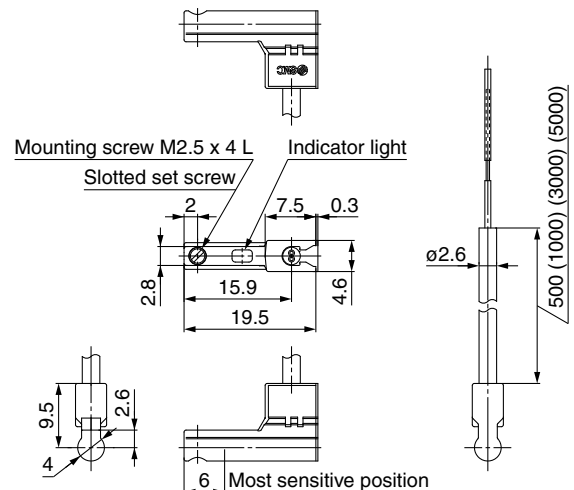
Fix the auto switch with the existing screw installed on the auto switch body. The auto switch may be damaged if a screw other than the one supplied is used.

## Dimensions

### D-M9□E



### D-M9□EV



# 2-Color Indicator Solid State Auto Switch Direct Mounting Type D-M9NW(V)/D-M9PW(V)/D-M9BW(V)



Refer to the SMC website for details on products that are compliant with international standards.

## Auto Switch Specifications

PLC: Programmable Logic Controller

D-M9□W, D-M9□WV (With indicator light)						
Auto switch model	D-M9NW	D-M9NWV	D-M9PW	D-M9PWV	D-M9BW	D-M9BWV
Electrical entry direction	In-line	Perpendicular	In-line	Perpendicular	In-line	Perpendicular
Wiring type	3-wire				2-wire	
Output type	NPN		PNP		—	
Applicable load	IC circuit, Relay, PLC				24 VDC relay, PLC	
Power supply voltage	5, 12, 24 VDC (4.5 to 28 V)				—	
Current consumption	10 mA or less				—	
Load voltage	28 VDC or less		—		24 VDC (10 to 28 VDC)	
Load current	40 mA or less				2.5 to 40 mA	
Internal voltage drop	0.8 V or less at 10 mA (2 V or less at 40 mA)				4 V or less	
Leakage current	100 μA or less at 24 VDC				0.8 mA or less	
Indicator light	Operating range ..... Red LED illuminates. Proper operating range ..... Green LED illuminates.					
Standards	CE/UKCA marking					

### Grommet

- 2-wire load current is reduced (2.5 to 40 mA).
- Using flexible cable as standard spec.
- The proper operating range can be determined by the color of the light. (Red → Green ← Red)



### Caution

#### Precautions

Fix the auto switch with the existing screw installed on the auto switch body. The auto switch may be damaged if a screw other than the one supplied is used.

## Oilproof Flexible Heavy-duty Lead Wire Specifications

Auto switch model		D-M9NW(V)	D-M9PW(V)	D-M9BW(V)
Sheath	Outside diameter [mm]	ø2.6		
Insulator	Number of cores	3 cores (Brown/Blue/Black)		2 cores (Brown/Blue)
	Outside diameter [mm]	ø0.88		
Conductor	Effective area [mm <sup>2</sup> ]	0.15		
	Strand diameter [mm]	ø0.05		
Min. bending radius [mm] (Reference values)		17		

- \* Refer to the **Web Catalog** for solid state auto switch common specifications.
- \* Refer to the **Web Catalog** for lead wire lengths.

## Weight

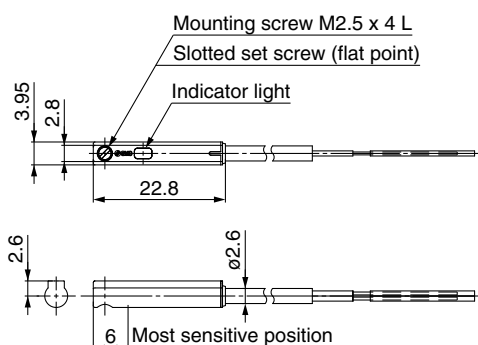
[g]

Auto switch model		D-M9NW(V)	D-M9PW(V)	D-M9BW(V)
Lead wire length	0.5 m (Nil)	8	7	7
	1 m (M)	14	13	13
	3 m (L)	41	38	38
	5 m (Z)	68	63	63

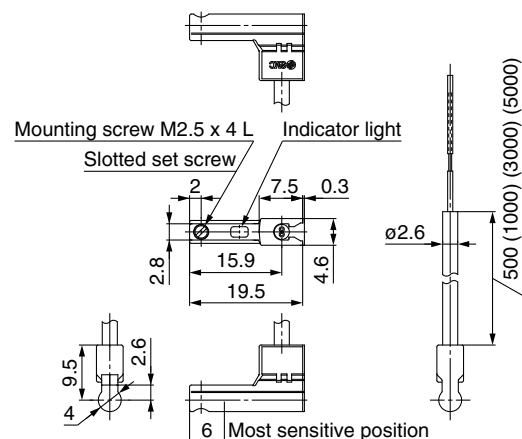
## Dimensions

[mm]

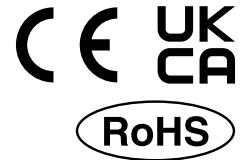
### D-M9□W



### D-M9□WV

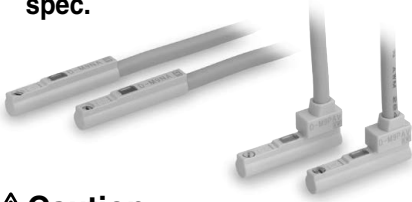


# Water Resistant 2-Color Indicator Solid State Auto Switch: Direct Mounting Type D-M9NA(V)/D-M9PA(V)/D-M9BA(V)



## Grommet

- Water (coolant) resistant type
- 2-wire load current is reduced (2.5 to 40 mA).
- The proper operating range can be determined by the color of the light. (Red → Green ← Red)
- Using flexible cable as standard spec.



## Caution

### Precautions

Fix the auto switch with the existing screw installed on the auto switch body. The auto switch may be damaged if a screw other than the one supplied is used. Please contact SMC if using coolant liquid other than water based solution.

## Weight

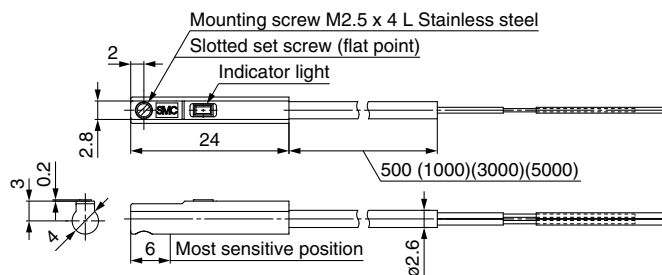
[g]

Auto switch model	D-M9NA(V)	D-M9PA(V)	D-M9BA(V)
Lead wire length			
0.5 m (Nil)	8	7	
1 m (M)	14	13	
3 m (L)	41	38	
5 m (Z)	68	63	

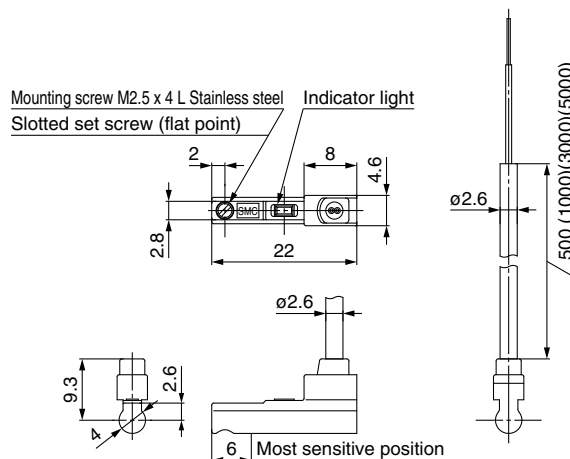
## Dimensions

[mm]

### D-M9□A



### D-M9□AV



## Auto Switch Specifications

PLC: Programmable Logic Controller

D-M9□A, D-M9□AV (With indicator light)						
Auto switch model	D-M9NA	D-M9NAV	D-M9PA	D-M9PAV	D-M9BA	D-M9BAV
Electrical entry direction	In-line	Perpendicular	In-line	Perpendicular	In-line	Perpendicular
Wiring type	3-wire				2-wire	
Output type	NPN		PNP		—	
Applicable load	IC circuit, Relay, PLC				24 VDC relay, PLC	
Power supply voltage	5, 12, 24 VDC (4.5 to 28 V)				—	
Current consumption	10 mA or less				—	
Load voltage	28 VDC or less		—		24 VDC (10 to 28 VDC)	
Load current	40 mA or less				2.5 to 40 mA	
Internal voltage drop	0.8 V or less at 10 mA (2 V or less at 40 mA)				4 V or less	
Leakage current	100 μA or less at 24 VDC				0.8 mA or less	
Indicator light	Operating range ..... Red LED illuminates. Proper operating range ..... Green LED illuminates.					
Standards	CE/UKCA marking (EMC directive/RoHS directive)					

## Oilproof Flexible Heavy-duty Lead Wire Specifications

Auto switch model		D-M9NA□	D-M9NAV□	D-M9PA□	D-M9PAV□	D-M9BA□	D-M9BAV□
Sheath	Outside diameter [mm]	2.6					
Insulator	Number of cores	3 cores (Brown/Blue/Black)				2 cores (Brown/Blue)	
	Outside diameter [mm]	0.88					
Conductor	Effective area [mm <sup>2</sup> ]	0.15					
	Strand diameter [mm]	0.05					
Min. bending radius [mm] (Reference value)		17					

\* Refer to the **Web Catalog** for solid state auto switch common specifications.

\* Refer to the **Web Catalog** for lead wire lengths.





# LEY/LEYG Series Specific Product Precautions 1

Be sure to read this before handling the products. Refer to the back cover for safety instructions. For electric actuator and auto switch precautions, refer to the “Handling Precautions for SMC Products” and the “Operation Manual” on the SMC website: <https://www.smcworld.com>

## Design / Selection

### Warning

- Do not apply a load in excess of the specification limits.**  
Select a suitable actuator by work load and allowable lateral load on the rod end. If a load in excess of the specification limits is applied to the piston rod, the generation of play in the piston rod sliding parts, reduced accuracy, etc., may occur and adversely affect the operation and service life of the product.
- Do not use the product in applications where excessive external force or impact force is applied to it.**  
This can cause a malfunction.
- When used as a stopper, select the LEYG series “Sliding bearing” for strokes of 30 mm or less.**
- When used as a stopper, fix the main body with a guide attachment (“Top mounting” or “Bottom mounting”).**  
If the end of the actuator is used to fix the main body (end mounting), the excessive load acts on the actuator, which may adversely affect the operation and service life of the product.

## Handling

### Caution

- To conduct a pushing operation, be sure to set the product to force/speed control, and use the product within the specified pushing speed range for each series.**  
Do not allow the piston rod to hit the workpiece and end of the stroke in the position control. The lead screw, bearing and internal stopper may be damaged and lead to malfunction.
- For pushing operations, the maximum torque value of the motor to be used should be set to 90% or less of the rated torque of the reference motor. For the LEY63, 150% or less.**  
Failure to do so may result in damage or malfunction.
- The maximum speed of this actuator is affected by the product stroke.**  
Check the model selection section of the catalog.
- Do not apply a load, impact, or resistance in addition to the transferred load during return to origin.**  
Additional force will cause the displacement of the origin position.
- Do not scratch or dent the sliding parts of the piston rod by bumping them or placing objects on them.**  
The piston rod and guide rod are manufactured to precise tolerances, so even a slight deformation may result in a malfunction.
- When an external guide is used, connect it in such a way that no impact or load is applied to it.**  
Use a freely moving connector (such as a floating joint).
- Do not operate by fixing the piston rod and moving the actuator body.**  
Excessive load will be applied to the piston rod, resulting in damage to the actuator and a reduced service life of the product.

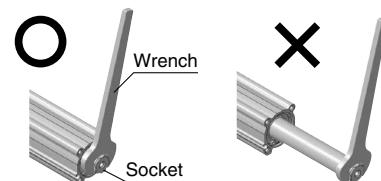
## Handling

### Caution

- When an actuator is operated with one end fixed and the other free (ends tapped or flange), a bending moment may act on the actuator due to vibration generated at the stroke end, which can damage the actuator. In such cases, install a mounting bracket to suppress the vibration of the actuator body or reduce the speed so that the actuator does not vibrate at the stroke end.**  
Also, use a mounting bracket when moving the actuator body or when a long stroke actuator is mounted horizontally and fixed at one end.
- Avoid using the electric actuator in such a way that rotational torque would be applied to the piston rod.**  
Failure to do so may result in the deformation of the non-rotating guide, abnormal auto switch responses play in the internal guide, or an increase in the sliding resistance.  
Refer to the table below for the approximate values of the allowable range of rotational torque.

Allowable rotational torque [N·m] or less	LEY25□	LEY32	LEY63	LEY100
	1.1	1.4	2.8	4.6

When screwing a bracket or nut into the piston rod end, hold the flats of the end of the “socket” with a wrench (the piston rod should be fully retracted). Do not apply tightening torque to the non-rotating mechanism.



- When using auto switches with the guide rod type LEYG series, the following limits apply. Please consider the following before selecting the product.**
  - Auto switches must be inserted from the front side with the rod (plate) sticking out.
  - Auto switches with perpendicular electrical entries cannot be used.
  - Auto switches cannot be fixed with the parts hidden behind the guide attachment (the side of the rod that sticks out).
  - Please consult with SMC when using auto switches on the side of the rod that sticks out.

## Enclosure

IP - □ □

First digit • Second digit

- **First Digit: Degree of protection against solid foreign objects**

0	Not protected
1	Protected against solid foreign objects of 50 mmø and larger
2	Protected against solid foreign objects of 12 mmø and larger
3	Protected against solid foreign objects of 2.5 mmø and larger
4	Protected against solid foreign objects of 1.0 mmø and larger
5	Dust protected
6	Dust-tight



# LEY/LEYG Series Specific Product Precautions 2

Be sure to read this before handling the products. Refer to the back cover for safety instructions. For electric actuator and auto switch precautions, refer to the “Handling Precautions for SMC Products” and the “Operation Manual” on the SMC website: <https://www.smcworld.com>

## Enclosure

### • Second Digit: Degree of protection against water

0	Not protected	—
1	Protected against vertically falling water droplets	Dripproof type 1
2	Protected against vertically falling water droplets when enclosure is tilted up to 15°	Dripproof type 2
3	Protected against rainfall when enclosure tilted up to 60°	Rainproof type
4	Protected against splashing water	Splashproof type
5	Protected against water jets	Water-jet-proof type
6	Protected against powerful water jets	Powerful water-jet-proof type
7	Protected against the effects of temporary immersion in water	Immersible type
8	Protected against the effects of continuous immersion in water	Submersible type

Example) IP65: Dust-tight, Water-jet-proof type  
“Water-jet-proof” means that no water enters the equipment that could hinder it from operating normally when water is applied for 3 minutes in the prescribed manner. Take appropriate protective measures as the device is not usable in environments where droplets of water are splashed constantly.

## Mounting

### ⚠ Caution

- When mounting workpieces or attachments to the piston rod end “socket,” hold the flats of the “socket” with a wrench so that the piston rod does not rotate. The bolt should be tightened within the specified torque range.

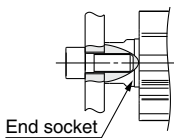
Failure to do so may cause abnormal auto switch responses, play in the internal guide, or an increase in the sliding resistance.

- When mounting the product and/or a workpiece, tighten the mounting screws within the specified torque range.

Tightening the screws with a higher torque than recommended may result in a malfunction, while tightening with a lower torque can result in the displacement of the mounting position or, in extreme conditions, the actuator could become detached from its mounting position.

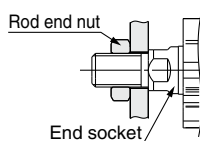
### <LEY Series>

#### Workpiece fixed/Rod end female thread

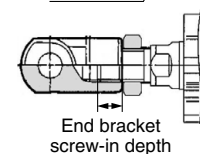


Model	Screw size	Max. tightening torque [N·m]	Max. screw-in depth [mm]	End socket width across flats [mm]
LEY25	M8 x 1.25	12.5	13	17
LEY32	M8 x 1.25	12.5	13	22
LEY63	M16 x 2	106	21	36
LEY100	M20 x 2.5	204	27	27

#### Workpiece fixed/Rod end male thread (When “Rod end male thread” is selected.)



Model	Thread size	Max. tightening torque [N·m]	Effective thread length [mm]	End socket width across flats [mm]
LEY25	M14 x 1.5	65.0	20.5	17
LEY32	M14 x 1.5	65.0	20.5	22
LEY63	M18 x 1.5	97.0	26	36



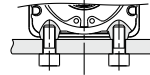
Model	Rod end nut		End bracket screw-in depth [mm]
	Width across flats [mm]	Length [mm]	
LEY25	22	8	8 or more
LEY32	22	8	8 or more
LEY63	27	11	11 or more

\* Rod end nut is an accessory.

## Mounting

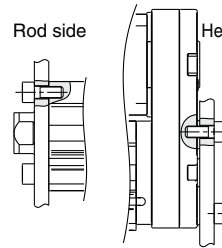
### ⚠ Caution

Body fixed/Body bottom tapped type (When “Body bottom tapped” is selected.)



Model	Screw size	Max. tightening torque [N·m]	Max. screw-in depth [mm]
LEY25	M5 x 0.8	3.0	6.5
LEY32	M6 x 1.0	5.2	8.8
LEY63	M8 x 1.25	12.5	10
LEY100	M10 x 1.5	24.5	17

Body fixed/Rod side/Head side tapped type

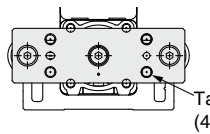


Model	Screw size	Max. tightening torque [N·m]	Max. screw-in depth [mm]
LEY25	M5 x 0.8	3.0	8
LEY32	M6 x 1.0	5.2	10
LEY63	M8 x 1.25	12.5	14

\*1 Excludes the LEY□D

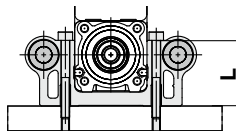
### <LEYG Series>

#### Workpiece fixed/Plate tapped type



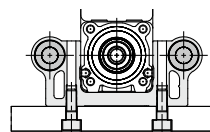
Model	Screw size	Max. tightening torque [N·m]	Max. screw-in depth [mm]
LEYG25 <sup>M</sup> <sub>L</sub>	M6 x 1.0	5.2	11
LEYG32 <sup>M</sup> <sub>L</sub>	M6 x 1.0	5.2	12

#### Body fixed/Top mounting



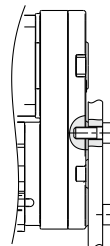
Model	Screw size	Max. tightening torque [N·m]	Length: L [mm]
LEYG25 <sup>M</sup> <sub>L</sub>	M5 x 0.8	3.0	40.3
LEYG32 <sup>M</sup> <sub>L</sub>	M5 x 0.8	3.0	50.3

#### Body fixed/Bottom mounting



Model	Screw size	Max. tightening torque [N·m]	Max. screw-in depth [mm]
LEYG25 <sup>M</sup> <sub>L</sub>	M6 x 1.0	5.2	12
LEYG32 <sup>M</sup> <sub>L</sub>	M6 x 1.0	5.2	12

#### Body fixed/Head side tapped type



Model	Screw size	Max. tightening torque [N·m]	Max. screw-in depth [mm]
LEYG25 <sup>M</sup> <sub>L</sub>	M5 x 0.8	3.0	8
LEYG32 <sup>M</sup> <sub>L</sub>	M6 x 1.0	5.2	10

Model Selection

LEKFS

LEFS

LEFB

LEJS

LET-X11

LEY

LEYG

LESYH

Motor Mounting



# LEY/LEYG Series Specific Product Precautions 3

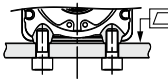
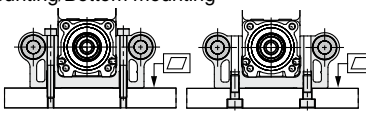
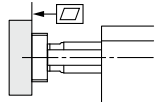
Be sure to read this before handling the products. Refer to the back cover for safety instructions. For electric actuator and auto switch precautions, refer to the “Handling Precautions for SMC Products” and the “Operation Manual” on the SMC website: <https://www.smcworld.com>

## Mounting

### ⚠ Caution

3. Keep the flatness of the mounting surface within the following ranges when mounting the actuator body and workpiece.

Mounting the product on an uneven workpiece or base may result in an increase in the sliding resistance.

Model	Mounting position	Flatness
LEY□	Body/Body bottom 	0.1 mm or less
LEYG□	Top mounting/Bottom mounting 	0.02 mm or less
	Workpiece/Plate mounting 	0.02 mm or less

## Maintenance

### ⚠ Warning

1. Ensure that the power supply is stopped and the workpiece is removed before starting maintenance work or replacing the product.

#### ● Maintenance frequency

Perform maintenance according to the table below.

Frequency	Appearance check	Belt check
Inspection before daily operation	○	—
Inspection every 6 months/ 250 km/5 million cycles*1	○	○

\*1 Select whichever comes first.

#### ● Items for visual appearance check

1. Loose set screws, Abnormal amount of dirt, etc.
2. Check for visible damage, Check of cable joint
3. Vibration, Noise

#### ● Items for belt check

Stop operation immediately and replace the belt when any of the following occur. In addition, ensure your operating environment and conditions satisfy the requirements specified for the product.

##### a. Tooth shape canvas is worn out

Canvas fiber becomes fuzzy, Rubber is coming off and the fiber has become whitish, Lines of fibers have become unclear

##### b. Peeling off or wearing of the side of the belt

Belt corner has become rounded and frayed threads sticks out

##### c. Belt partially cut

Belt is partially cut, Foreign matter caught in the teeth of other parts is causing damage

##### d. A vertical line on belt teeth is visible

Damage which is made when the belt runs on the flange

##### e. Rubber back of the belt is softened and sticky

##### f. Cracks on the back of the belt are visible

2. For IP65 equivalent type, apply grease on the piston rod periodically. Grease should be applied at 1 million cycles or 200 km, whichever comes first.

· Grease pack order number: GR-S-010 (10 g)/GR-S-020 (20 g)





# LEY100 Series Specific Product Precautions

Be sure to read this before handling the products.

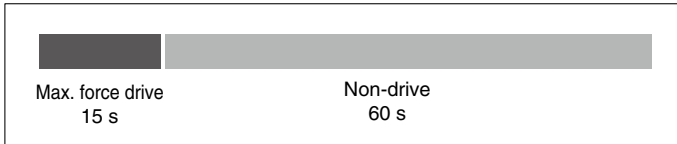
## Handling

### Caution

**Continuous use at max. force is prohibited.**

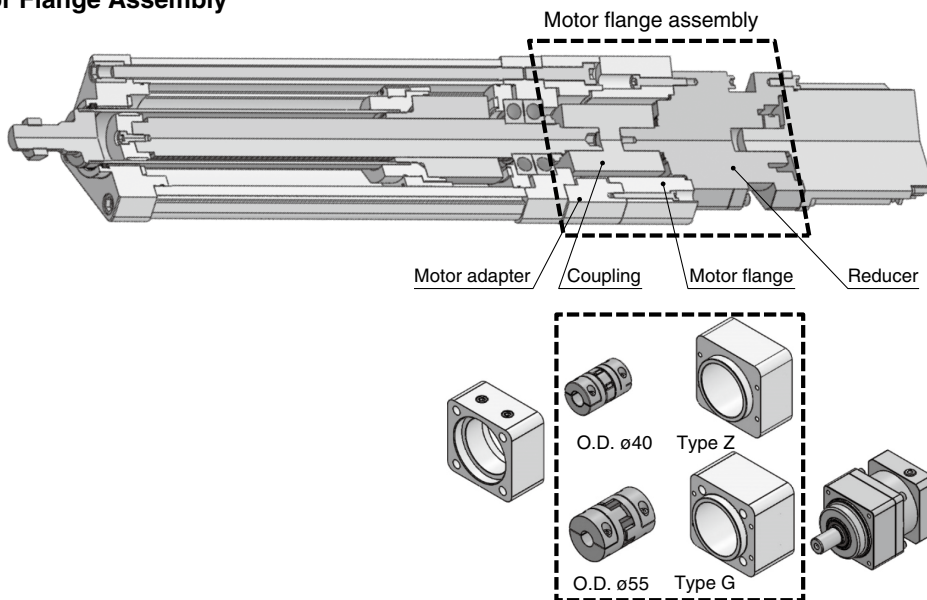
When using the product at max. force, be sure to use the product within 15 s and with a duty ratio of 20% or less. (With motor)

**Example of driving conditions with a duty ratio of 20%**



For the motorless type, be sure to check the specifications of the motor and driver to be used in combination before use. The force should be within the rated force when using continuously.

### Motor Flange Assembly



Products from other companies and self-produced products can be used instead.

Symbol	Motor adapter	Motor flange (Type)	Coupling (ø40)	Coupling (ø55)	Reducer (Reduction ratio)
NZ	●	● (Z)	—	—	—
NZC	●	● (Z)	●	—	—
NG	●	● (G)	—	—	—
NGC	●	● (G)	—	●	—
NGC3	●	● (G)	—	●	● (1/3)
NGC5	●	● (G)	—	●	● (1/5)
N	●	—	—	—	—

Model Selection

LEKFS

LEFS

LEFB

LEJS

LET-X11

LEY

LEYG

LESYH

Motor Mounting



# Slide Table/High Precision Type

## In-line LESYH□D Series

p. 199



## Right/Left side parallel LESYH□<sub>L</sub> Series

p. 199



Model Selection

LEKFS

LEFS

LEFB

LEJS

LET-X11

LEY

LEYG

LESYH

Motor Mounting

# Model Selection 1



LESYH Series ▶ p. 205

## Selection Procedure

### Positioning Control Selection Procedure



### Selection Example

The model selection method shown below corresponds to SMC's standard motor. For use in combination with a motor from a different manufacturer, check the available product information of the motor to be used.

**Step 1 Check the work load-speed. <Speed-Work load graph>** (page 201)  
Select a model based on the workpiece mass and speed while referencing the speed-work load graph. Selection example) The LESYH16□B-50 can be temporarily selected as a possible candidate based on the graph shown on the right side.

\* Refer to the selection method of motor manufacturers for regeneration resistance.

**Step 2 Check the cycle time.**

Calculate the cycle time using the following calculation method.

**Cycle time:**

T can be found from the following equation.

$$T = T1 + T2 + T3 + T4 \text{ [s]}$$

- T1: Acceleration time and T3: Deceleration time can be found by the following equation.

$$T1 = V/a1 \text{ [s]}$$

$$T3 = V/a2 \text{ [s]}$$

- T2: Constant speed time can be found from the following equation.

$$T2 = \frac{L - 0.5 \cdot V \cdot (T1 + T3)}{V} \text{ [s]}$$

- T4: Settling time varies depending on the conditions such as motor types, load, and in position of the step data. Therefore, calculate the settling time while referencing the following value.

$$T4 = 0.15 \text{ [s]}$$

Calculation example)

T1 to T4 can be calculated as follows.

$$T1 = V/a1 = 200/3000 = 0.07 \text{ [s]}$$

$$T3 = V/a2 = 200/3000 = 0.07 \text{ [s]}$$

$$T2 = \frac{L - 0.5 \cdot V \cdot (T1 + T3)}{V} = \frac{50 - 0.5 \cdot 200 \cdot (0.07 + 0.07)}{200} = 0.18 \text{ [s]}$$

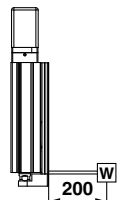
$$T4 = 0.15 \text{ [s]}$$

The cycle time can be found as follows.

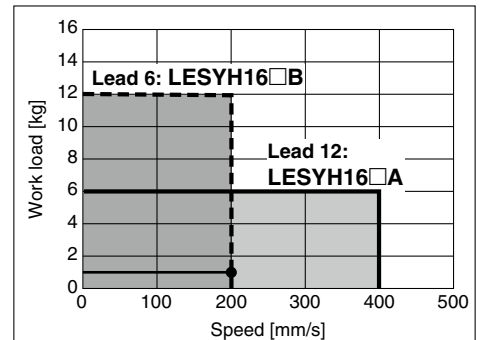
$$T = T1 + T2 + T3 + T4 = 0.07 + 0.18 + 0.07 + 0.15 = 0.47 \text{ [s]}$$

### Operating conditions

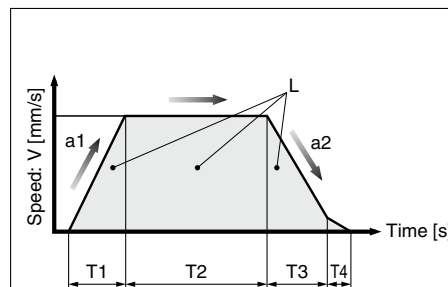
- Workpiece mass: 1 [kg]
- Workpiece mounting condition:
- Speed: 200 [mm/s]
- Mounting orientation: Vertical
- Stroke: 50 [mm]
- Acceleration/Deceleration: 3000 [mm/s<sup>2</sup>]
- Cycle time: 0.5 s



### LESYH16□□/AC Servo Motor Vertical



<Speed-Work load graph>



- L : Stroke [mm] ..... (Operating condition)
- V : Speed [mm/s] ..... (Operating condition)
- a1: Acceleration [mm/s<sup>2</sup>] ... (Operating condition)
- a2: Deceleration [mm/s<sup>2</sup>] ... (Operating condition)

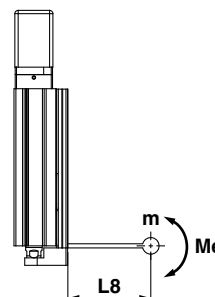
- T1: Acceleration time [s] ... Time until reaching the set speed
- T2: Constant speed time [s] ... Time while the actuator is operating at a constant speed
- T3: Deceleration time [s] ... Time from the beginning of the constant speed operation to stop
- T4: Settling time [s] ... Time until positioning is completed

**Step 3 Check the allowable moment.**

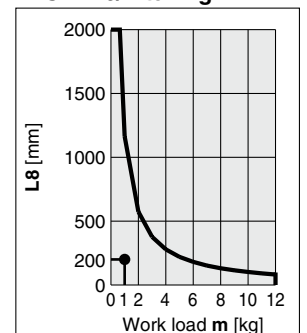
<Static allowable moment> (page 201)

<Dynamic allowable moment> (page 203)

Confirm the moment that applies to the actuator is within the allowable range for both static and dynamic conditions.



### LESYH16/Pitching

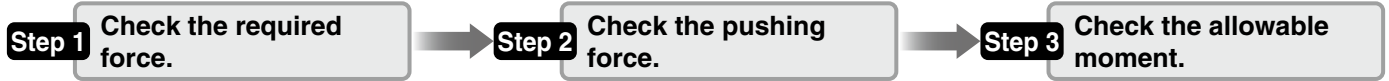


<Dynamic allowable moment>

Based on the above calculation result, the LESYH16□□B-50 should be selected.

## Selection Procedure

### Force Control Selection Procedure

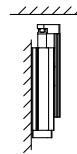


### Selection Example

The model selection method shown below corresponds to SMC's standard motor. For use in combination with a motor from a different manufacturer, check the available product information of the motor to be used.

### Operating conditions

- Pushing force: 210 N
- Workpiece mass: 1 kg
- Speed: 100 mm/s
- Stroke: 100 mm
- Mounting position: Vertical upward
- Pushing time + Operation (A): 5 s
- Full cycle time (B): 10 s



#### Step 1 Check the required force.

Calculate the approximate required force for a pushing operation. Selection example) • Pushing force: 210 [N]

- Workpiece mass: 1 [kg]

The approximate required force can be found to be  $210 + 10 = 220$  [N].

Select a model based on the approximate required force while referencing the specifications (page 206).

Selection example based on the specifications)

- Approximate required force: 220 [N]
- Speed: 100 [mm/s]

The LESYH16□B can be temporarily selected as a possible candidate.

Then, calculate the required force for a pushing operation. If the mounting position is vertical upward, add the actuator table weight.

Selection example based on the table weight)

- LESYH16□B table weight: 0.7 [kg]

The required force can be found to be  $220 + 7 = 227$  [N].

#### Step 2 Check the pushing force. <Force conversion graph>

Select a model based on the ratio to rated torque and force while referencing the force conversion graph.

Selection example)

Based on the graph shown on the right side,

- Ratio to rated torque: 80 [%]
- Force: 227 [N]

The LESYH16B can be temporarily selected as a possible candidate.

#### Step 3 Check the allowable moment.

<Static allowable moment> (page 201)

<Dynamic allowable moment> (page 203)

Confirm the moment that applies to the actuator is within the allowable range for both static and dynamic conditions.

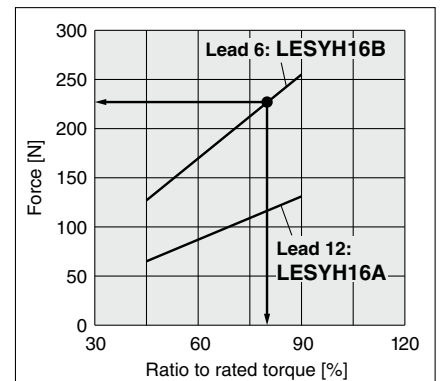
Based on the above calculation result, the LESYH16B-100 should be selected.

#### Table Weight

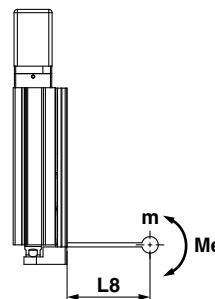
Unit [kg]

Model	Stroke [mm]		
	50	100	150
LESYH16	0.4	0.7	—
LESYH25	0.9	1.3	1.7

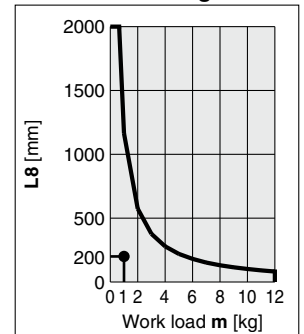
\* If the mounting position is vertical upward, add the table weight.



<Force conversion graph>



#### LESYH16/Pitching



<Dynamic allowable moment>

Model Selection

LEKFS

LEFS

LEFB

LEJS

LET-X11

LEY

LEYG

LESYH

Motor Mounting

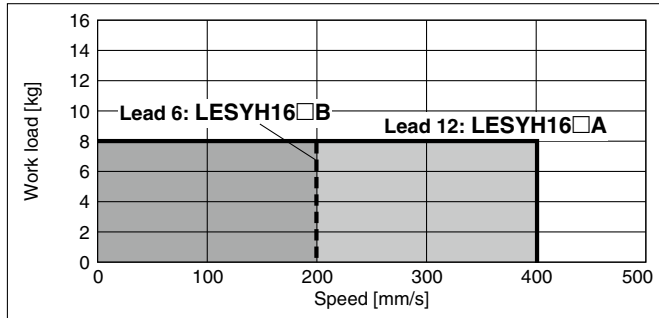
# LESYH Series

Motorless Type

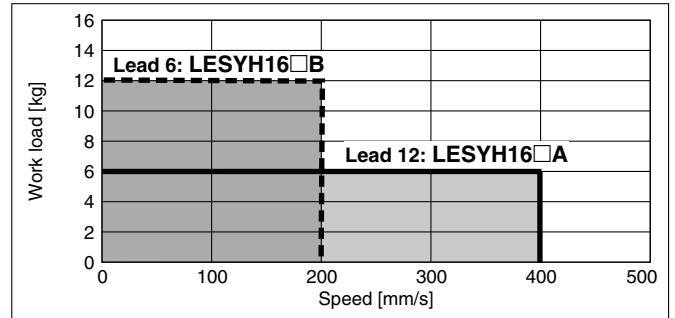
## Speed-Work Load Graph (Guide)

### LESYH16□

#### Horizontal

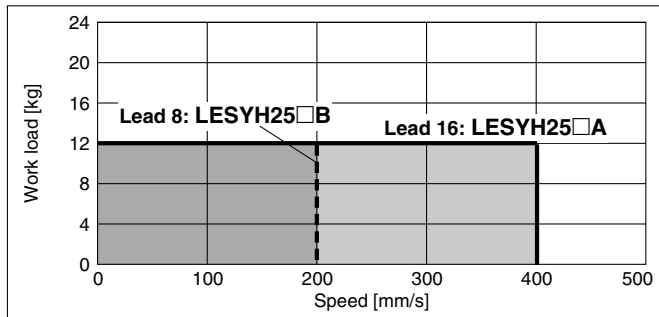


#### Vertical

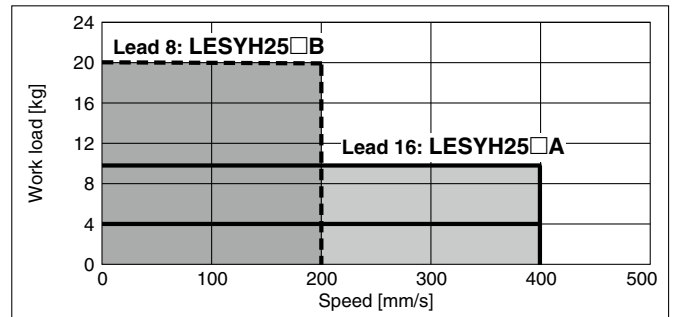


### LESYH25□

#### Horizontal



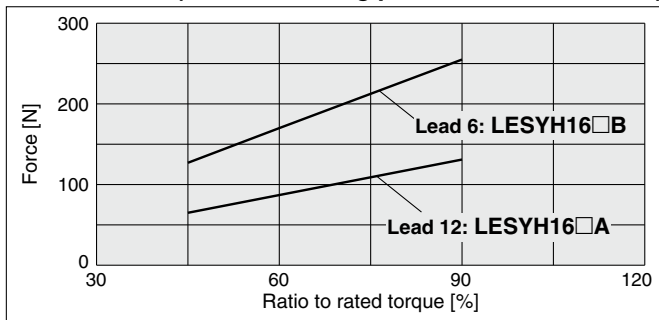
#### Vertical



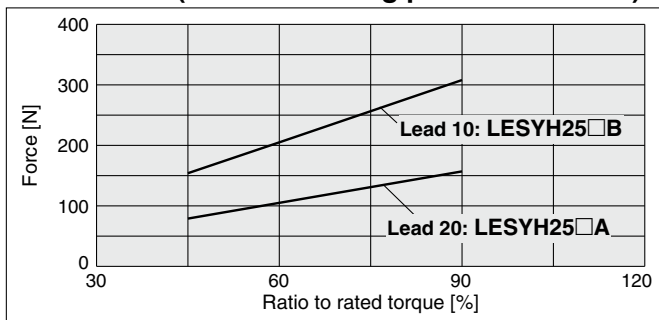
## Force Conversion Graph (Guide)

\* These graphs show an example of when the standard motor is mounted. Calculate the force based on used motor and driver.

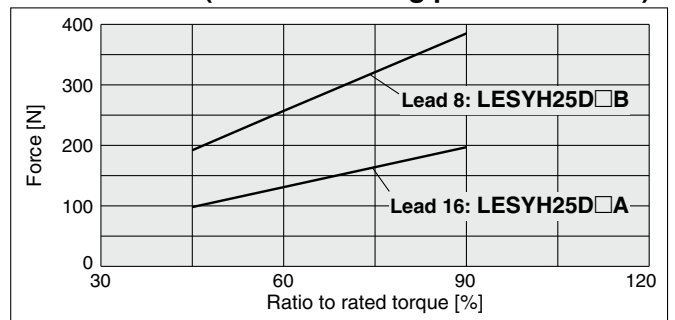
### LESYH16□ (Motor mounting position: Parallel/In-line)



### LESYH25□ (Motor mounting position: Parallel)



### LESYH25D□ (Motor mounting position: In-line)



\* When using the force control or speed control, set the max. value to be no more than 90% of the rated torque.

## Static Allowable Moment

Model	LESYH16		LESYH25		
	50	100	50	100	150
Pitching [N·m]	26	43	77	112	155
Yawing [N·m]					
Rolling [N·m]	48		146	177	152

\* These graphs show the amount of allowable overhang (guide unit) when the center of gravity of the workpiece overhangs in one direction. When selecting the overhang, refer to the "Calculation of Guide Load Factor" or the Electric Actuator Model Selection Software for confirmation: <https://www.smcworld.com>

## Dynamic Allowable Moment

Acceleration/Deceleration — 5000 mm/s<sup>2</sup>

Orientation		Load overhanging direction	Model	
		<b>m</b> : Work load [kg] <b>Me</b> : Allowable moment [N·m] <b>L</b> : Overhang to the work load center of gravity [mm]	<b>LESYH16</b>	<b>LESYH25</b>
Horizontal/Bottom	X			
	Y			
	Z			
Horizontal (Wall)	X			
	Y			
	Z			

Model Selection

LEKFS

LEFS

LEFB

LEJS

LET-X11

LEY

LEYG

LESYH

Motor Mounting



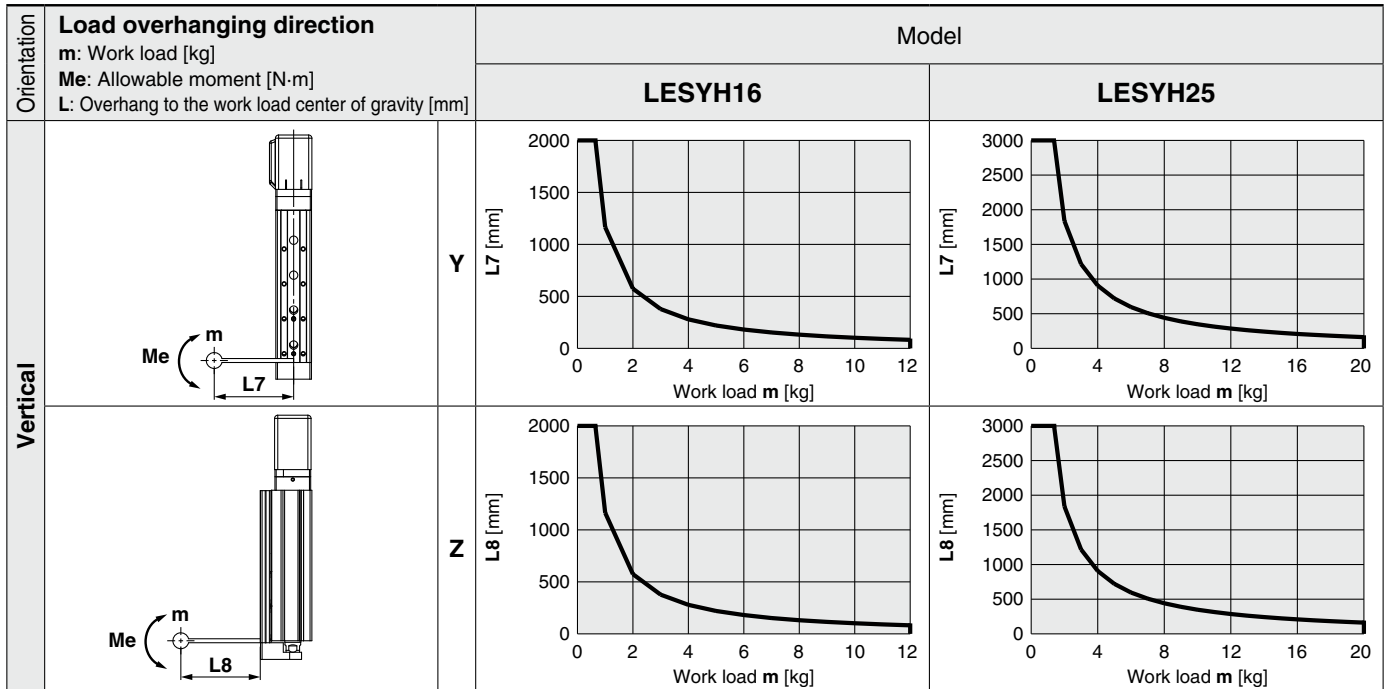
# LESYH Series

Motorless Type

\* These graphs show the amount of allowable overhang (guide unit) when the center of gravity of the workpiece overhangs in one direction. When selecting the overhang, refer to the "Calculation of Guide Load Factor" or the Electric Actuator Model Selection Software for confirmation: <https://www.smcworld.com>

## Dynamic Allowable Moment

Acceleration/Deceleration — 5000 mm/s<sup>2</sup>



## Calculation of Guide Load Factor

- Decide operating conditions.

Model: LESYH

Size: 16

Mounting orientation: Horizontal/Bottom/Wall/Vertical

Acceleration [mm/s<sup>2</sup>]: a

Work load [kg]: m

Work load center position [mm]: Xc/Yc/Zc

- Select the target graph while referencing the model, size, and mounting orientation.

- Based on the acceleration and work load, find the overhang [mm]: Lx/Ly/Lz from the graph.

- Calculate the load factor for each direction.

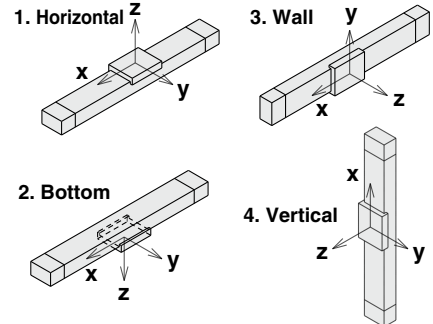
$$\alpha_x = X_c/L_x, \alpha_y = Y_c/L_y, \alpha_z = Z_c/L_z$$

- Confirm the total of  $\alpha_x$ ,  $\alpha_y$ , and  $\alpha_z$  is 1 or less.

$$\alpha_x + \alpha_y + \alpha_z \leq 1$$

When 1 is exceeded, consider a reduction of acceleration and work load, or a change of the work load center position and series.

### Mounting orientation



### Example

- Operating conditions

Model: LESYH

Size: 16

Mounting orientation: Horizontal

Acceleration [mm/s<sup>2</sup>]: 5000

Work load [kg]: 4.0

Work load center position [mm]: Xc = 80, Yc = 50, Zc = 60

- Select three graphs from the top of the first row on page 202.

- Lx = 250 mm, Ly = 160 mm, Lz = 700 mm

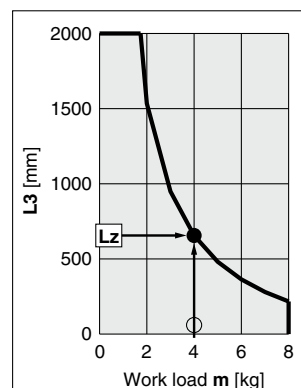
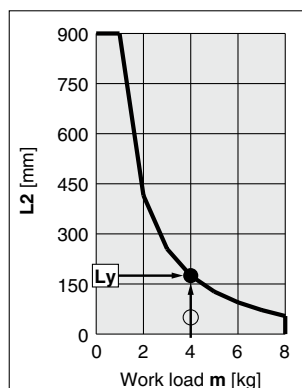
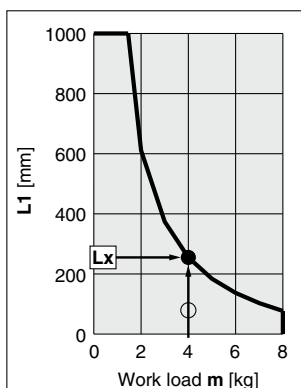
- The load factor for each direction can be found as follows.

$$\alpha_x = 80/250 = 0.32$$

$$\alpha_y = 50/160 = 0.32$$

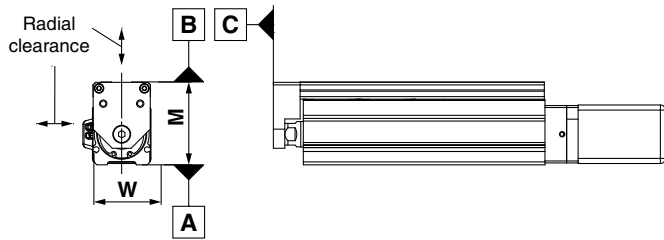
$$\alpha_z = 60/700 = 0.09$$

- $\alpha_x + \alpha_y + \alpha_z = 0.73 \leq 1$



## Table Accuracy

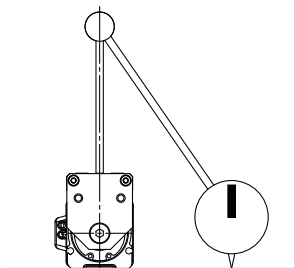
\* These values are initial guideline values.



Model	LESYH16	LESYH25
B side parallelism to A side [mm]	Refer to Table 1.	
B side traveling parallelism to A side [mm]	Refer to Graph 1.	
C side perpendicularity to A side [mm]	0.05	
M dimension tolerance [mm]	±0.3	
W dimension tolerance [mm]	±0.2	
Radial clearance [μm]	-10 to 0	-14 to 0

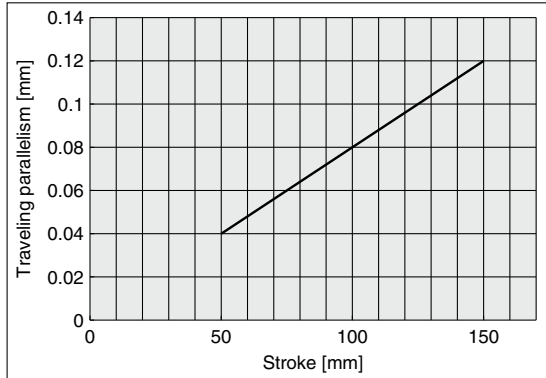
**Table 1 B side parallelism to A side**

Model	Stroke [mm]		
	50	100	150
LESYH16	0.05	0.08	—
LESYH25	0.06	0.08	0.125



**Traveling parallelism:**  
The amount of deflection on a dial gauge when the table travels a full stroke with the body secured on a reference base surface

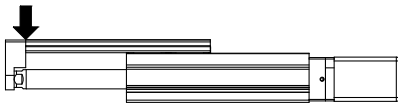
**Graph 1 B side traveling parallelism to A side**



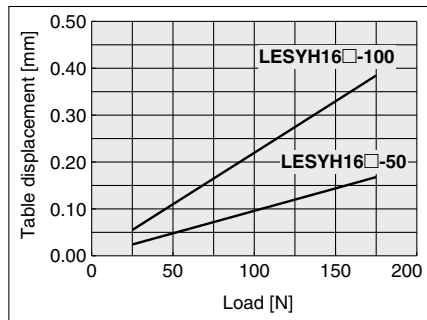
## Table Deflection (Reference Value)

\* These values are initial guideline values.

Table displacement due to pitch moment load  
Table displacement when loads are applied to the section marked with the arrow with the slide table stuck out.



**LESYH16**



**LESYH25**

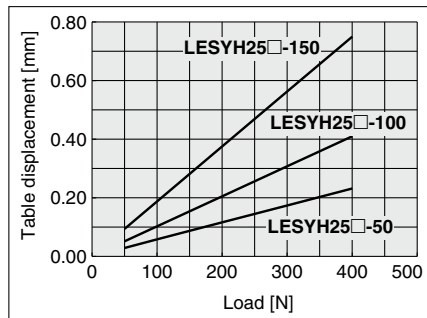
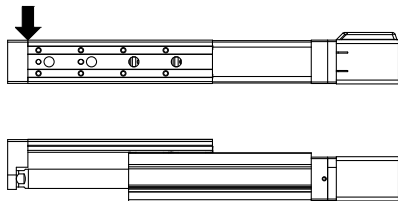
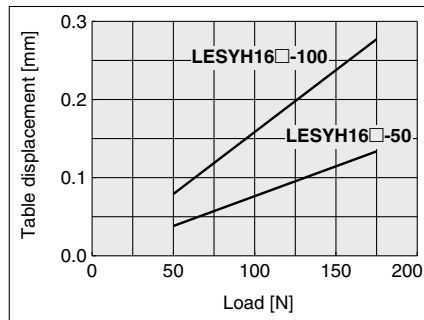


Table displacement due to yaw moment load  
Table displacement when loads are applied to the section marked with the arrow with the slide table stuck out.



**LESYH16**



**LESYH25**

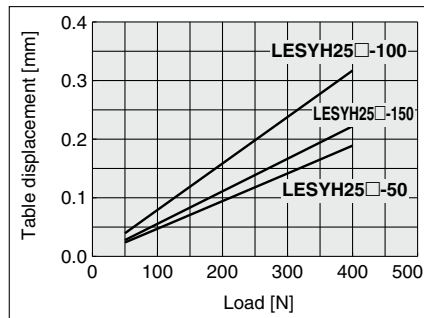
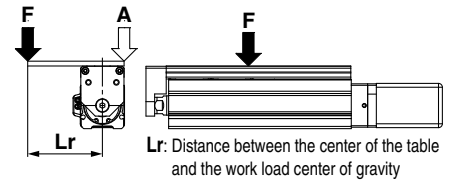
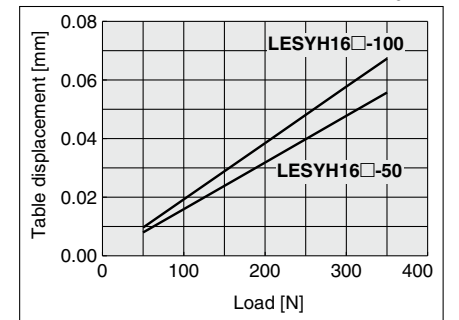


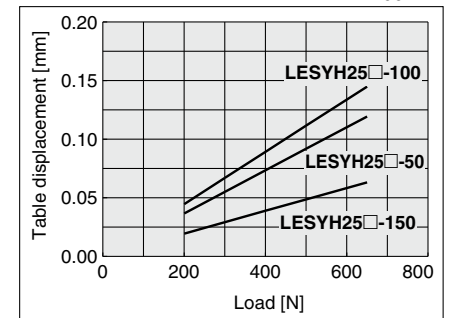
Table displacement due to roll moment load  
Table displacement of section A when loads are applied to the section F with the slide table retracted.



**LESYH16**



**LESYH25**



# Slide Table/ High Precision Type

## LESYH Series LESYH16, 25



### How to Order

LESYH **16** **D** **NZ** **A** - **50**

①      ②      ③      ④      ⑤

**① Size**

16
25

**② Motor mounting position**

<b>D</b>	In-line
<b>R</b>	Right side parallel
<b>L</b>	Left side parallel

**③ Mounting type**

<b>NZ</b>	<b>NU</b>
<b>NY</b>	<b>NT</b>
<b>NX</b>	<b>NM1</b>
<b>NW</b>	<b>NM2</b>
<b>NV</b>	<b>NM3</b>

**④ Lead [mm]**

	Size	
	16	25*1
A	12	16 (20)
B	6	8 (10)

\*1 The values shown in ( ) are the leads for the right/left side parallel types. Except mounting type NM1 (Equivalent leads which include the pulley ratio [1.25:1])

**⑤ Stroke [mm]**

	Size	
	16	25
50	●	●
100	●	●
150	—	●

### Compatible Motors and Mounting Types\*4

Applicable motor model		Size/Mounting type														
Manufacturer	Series	16						25								
		NZ	NY	NX	NM1	NM2	NM3	NZ	NY	NX	NW	NV	NU	NT	NM1	NM2
Mitsubishi Electric Corporation	MELSERVO JN/J4/J5	●	—	—	—	—	—	●	—	—	—	—	—	—	—	—
YASKAWA Electric Corporation	Σ-V/7/X	●*3	—	—	—	—	—	●	—	—	—	—	—	—	—	—
SANYO DENKI CO., LTD.	SANMOTION R	●	—	—	—	—	—	●	—	—	—	—	—	—	—	—
OMRON Corporation	OMNUC G5/1S	●	—	—	—	—	—	—	●	—	—	—	—	—	—	—
Panasonic Corporation	MINAS A5/A6	● (MHMF only)	●	—	—	—	—	—	●	—	—	—	—	—	—	—
FANUC CORPORATION	βis (-B)	●	—	—	—	—	—	● (β1 only)	—	—	●	—	—	—	—	—
NIDEC SANKYO CORPORATION	S-FLAG	●	—	—	—	—	—	●	—	—	—	—	—	—	—	—
KEYENCE CORPORATION	SV/SV2	●*3	—	—	—	—	—	●	—	—	—	—	—	—	—	—
FUJI ELECTRIC CO., LTD.	ALPHA7	●	—	—	—	—	—	●	—	—	—	—	—	—	—	—
MinebeaMitsumi Inc.	Hybrid stepping motors	—	—	—	●*1	—	●*2	—	—	—	—	—	—	—	—	●
Shinano Kenshi Co., Ltd.	CSB-BZ	—	—	—	●*1	—	●*2	—	—	—	—	—	—	—	—	—
ORIENTAL MOTOR Co., Ltd.	α STEP AR/AZ	—	—	—	—	● (46 only)	—	—	—	—	—	—	—	—	—	●
FASTECH Co., Ltd.	Ezi-SERVO	—	—	—	●	—	—	—	—	—	—	—	—	—	—	●
Rockwell Automation, Inc. (Allen-Bradley)	Kinetix MP/VP/TL	● (TL only)	—	—	—	—	—	—	—	●*1 (MP/VP only)	—	—	—	● (TL only)	—	—
Beckhoff Automation GmbH	AM 30/31/80/81	●	—	—	—	—	—	—	—	●*1 (80/81 only)	—	●*1 (30 only)	● (31 only)	—	—	—
Siemens AG	SIMOTICS S-1FK7	—	—	●	—	—	—	—	—	●*1	—	—	—	—	—	—
Delta Electronics, Inc.	ASDA-A2	●	—	—	—	—	—	●	—	—	—	—	—	—	—	—
ANCA Motion	AMD2000	●	—	—	—	—	—	●	—	—	—	—	—	—	—	—

\*1 Motor mounting position: In-line only \*2 Motor mounting position: Parallel only

\*3 For some motors, the connector may protrude from the motor body. Be sure to check for interference with the mounting surface before selecting a motor.

\*4 The compatible motors and mounting types are typical examples. Select the mounting type after referring to the "Motor Mounting, Applicable Motor Dimensions" tables on the following "Dimensions" pages.

## Specifications

Model		LESYH16		LESYH25 (Parallel)		LESYH25 (In-line)		
Actuator specifications	Stroke [mm]	50, 100		50, 100, 150				
	Work load [kg]	Horizontal*1	8		12		12	
		Vertical	6	12	10	20	10	20
	Force [N]*2 (Set value: Rated torque 45 to 90%)	65 to 131	127 to 255	79 to 157	154 to 308	98 to 197	192 to 385	
	Max. speed [mm/s]	400	200	400	200	400	200	
	Pushing speed [mm/s]*3	35 or less		30 or less				
	Max. acceleration/deceleration [mm/s <sup>2</sup> ]	5000						
	Positioning repeatability [mm]	±0.01						
	Lost motion [mm]*4	0.1 or less						
	Ball screw specifications	Thread size [mm]	ø10		ø12			
		Lead [mm] (including pulley ratio)	12	6	16 (20)	8 (10)	16	8
		Shaft length [mm]	Stroke + 93.5		Stroke + 104.5			
	Impact/Vibration resistance [m/s <sup>2</sup> ]*5	50/20						
	Actuation type	Ball screw + Belt (Parallel) Ball screw (In-line)		Ball screw + Belt [Pulley ratio 1.25:1]		Ball screw		
Guide type	Linear guide (Circulating type)							
Operating temperature range [°C]	5 to 40							
Operating humidity range [%RH]	90 or less (No condensation)							
Enclosure	IP40 (Excludes motor mounting part)							
Other specifications*6	Actuation unit weight [kg]	50 st	0.585	1.21				
		100 st	0.919	1.68				
		150 st	—	2.19				
	Other inertia [kg·cm <sup>2</sup> ]	0.012 (LESYH16) 0.015 (LESYH16D)		0.035 (LESYH25) 0.061 (LESYH25D)				
	Mechanical efficiency	0.8						
Reference motor specifications	Motor type	AC servo motor						
	Rated output capacity [W]	100		200				
	Rated torque [N·m]	0.32		0.64				
	Rated rotation [rpm]	3000						

- \*1 This is the max. value of the horizontal work load. An external guide is necessary to support the load (Friction coefficient of guide: 0.1 or less). The actual work load changes according to the condition of the external guide. Confirm the load using the actual device.
- \*2 The force setting range for the force control (Speed control mode, Torque control mode)  
The force changes according to the set value. Set it with reference to the "Force Conversion Graph (Guide)" on page 201.
- \*3 The allowable collision speed for collision with the workpiece
- \*4 A reference value for correcting errors in reciprocal operation

- \*5 Impact resistance: No malfunction occurred when the actuator was tested with a drop tester in both an axial direction and a perpendicular direction to the lead screw. (The test was performed with the actuator in the initial state.)  
Vibration resistance: No malfunction occurred in a test ranging between 45 to 2000 Hz. The test was performed in both an axial direction and a perpendicular direction to the lead screw. (The test was performed with the actuator in the initial state.)
- \*6 Each value is only to be used as a guide to select a motor of the appropriate capacity.

## Weight

Model	Stroke [kg]		
	50	100	150
LESYH16	1.48	1.87	—
LESYH25	2.77	3.37	4.77

**Model Selection**
**LEKFS**
**LEFS**
**LEFB**
**LEJS**
**LET-X11**
**LEY**
**LEYG**
**LESYH**
**Motor Mounting**

# LESYH Series

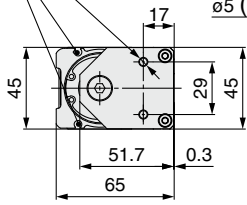
Motorless Type

## Dimensions

### LESYH16D□-□

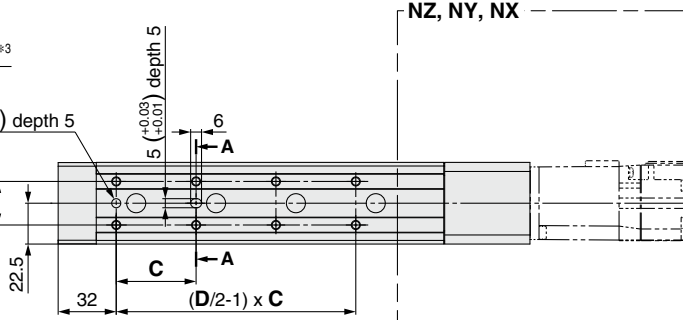
Auto switch mounting groove (2 locations)<sup>\*3</sup>

2 x M5 x 0.8 thread depth 10



ø5 (+0.03 / -0.01) depth 5

5 (+0.03 / -0.01) depth 5



NZ, NY, NX

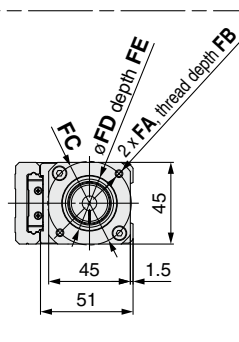
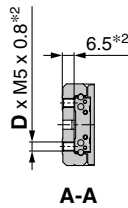
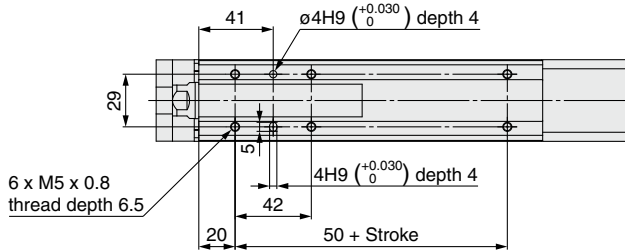
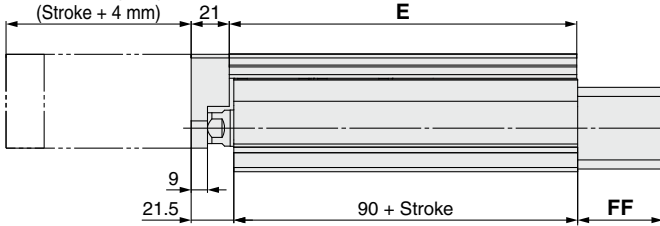
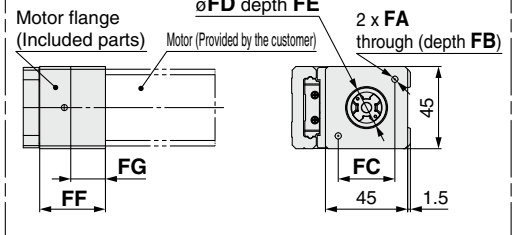


Table operating range<sup>\*1</sup>  
(Stroke + 4 mm)



NM1, NM2



## Dimensions

[mm]

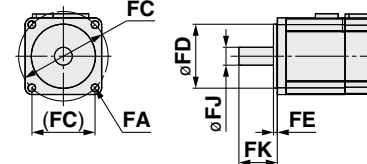
Model	Stroke	C	D	E
LESYH16□□-50	50	40	6	116.5
LESYH16□□-100	100	44	8	191.5

## Motor Mounting Position: In-line/Motor Mounting, Applicable Motor Dimensions [mm]

Size	Mounting type	FA		FB	FC	FD	FE (Max.)	FF	FG	FJ	FK
		Mounting type	Applicable motor								
LESYH16	NZ	M4 x 0.7	ø4.5	7.5	ø46	30	3.7	47	—	8	25 ±1
	NY	M3 x 0.5	ø3.4	6	ø45	30	4.2	47	—	8	25 ±1
	NX	M4 x 0.7	ø4.5	7.5	ø46	30	3.7	47	—	8	18 ±1
NM1, NM2	NM1	ø3.4	M3	17	□31	22	2.5	36	19	5*2	18 to 25
	NM2	ø3.4	M3	28	□31	22*1	2.5*1	47	30	6*2	20 ±1

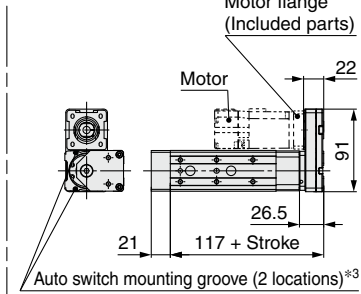
\*1 Dimensions after mounting a ring spacer (Refer to page 210.) \*2 Shaft type: D-cut shaft

## Applicable motor dimensions



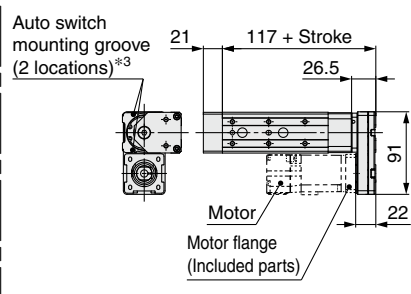
## Motor mounting position: Right side parallel

### LESYH16RN□-□



## Motor mounting position: Left side parallel

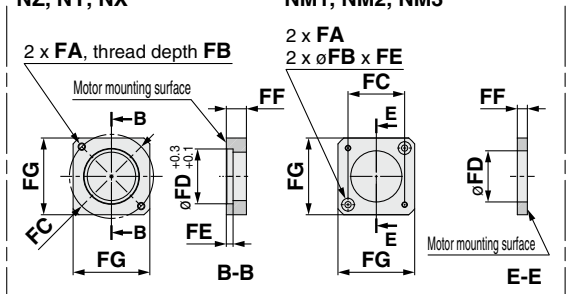
### LESYH16LN□-□



## Motor flange dimensions (Motor mounting position: Parallel)

### NZ, NY, NX

### NM1, NM2, NM3



- \*1 Do not allow collisions at either end of the table operating range at a speed exceeding "pushing speed." Additionally, when running the positioning operation, do not set within 2 mm of both ends.
- \*2 If the workpiece retaining screws are too long, they may come in contact with the guide block, resulting in a malfunction. Use screws of a length equal to or shorter than the thread length.
- \*3 For checking the limit and the intermediate signal. Applicable to the D-M9□, D-M9□E, and D-M9□W (2-color indicator) The auto switches should be ordered separately.

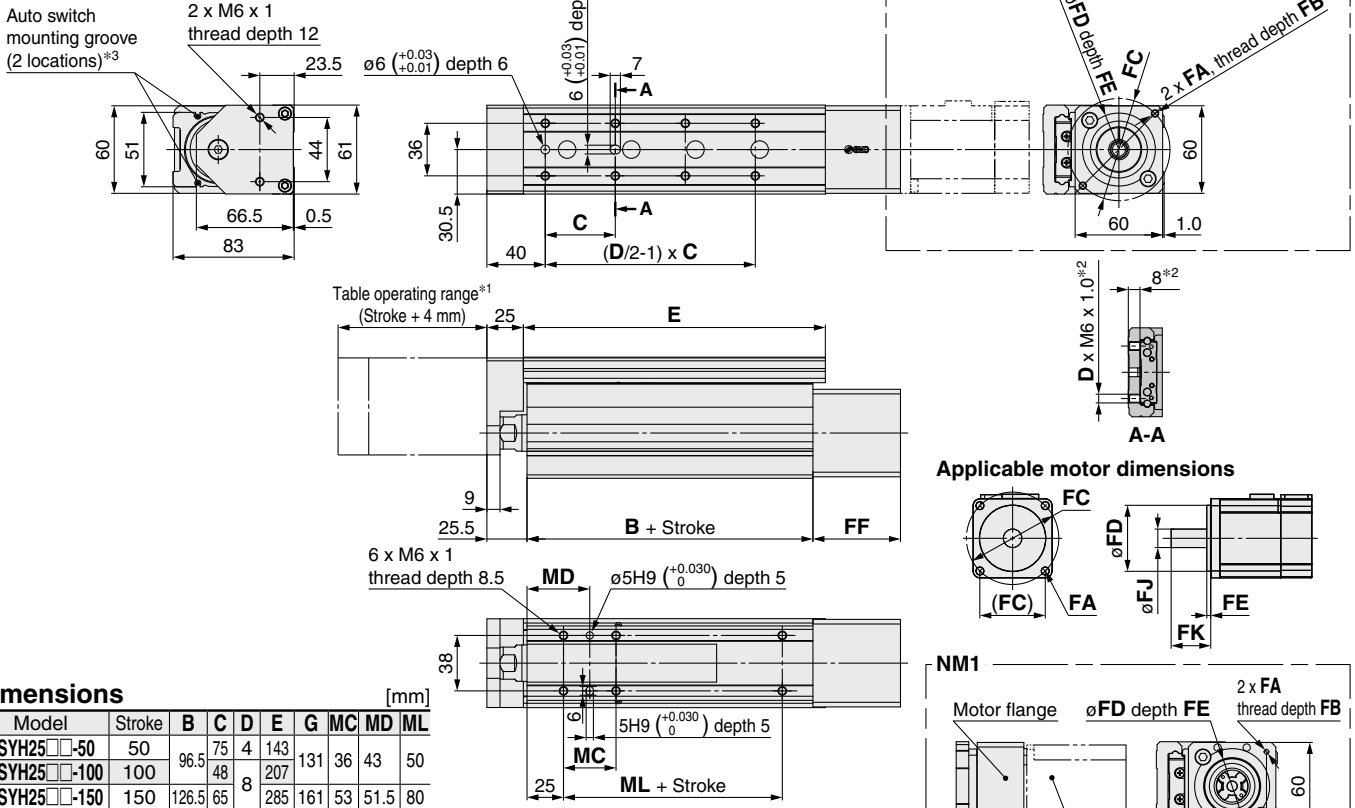
## Motor Mounting Position: Parallel/Motor Mounting, Applicable Motor Dimensions [mm]

Size	Mounting type	FA		FB	FC	FD	FE (Max.)	FF	FG	FJ	FK
		Mounting type	Applicable motor								
LESYH16	NZ	M4 x 0.7	ø4.5	7.5	ø46	30	3.7	11	42	8	25 ±1
	NY	M3 x 0.5	ø3.4	5.5	ø45	30	5	11	38	8	25 ±1
	NX	M4 x 0.7	ø4.5	7	ø46	30	3.7	8	42	8	18 ±1
	NM1	ø3.4	M3	7	□31	28	3.5	8.5	42	5*1	18 to 25
	NM2	ø3.4	M3	7	□31	28	3.5	8.5	42	6	20 ±1
	NM3	ø3.4	M3	7	□31	28	3.5	5.5	42	5*1	20 ±1

\*1 Shaft type: D-cut shaft

## Dimensions

### LESYH25D□-□



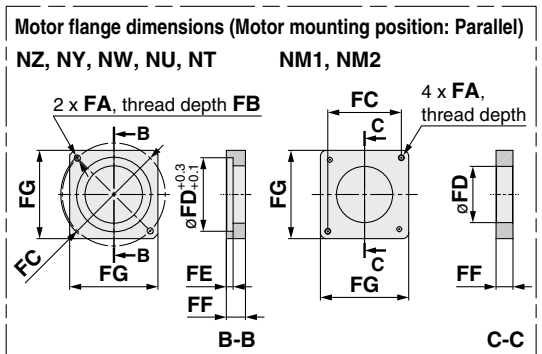
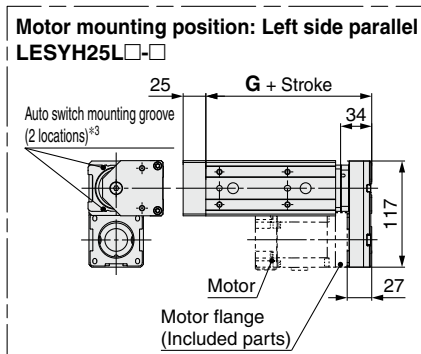
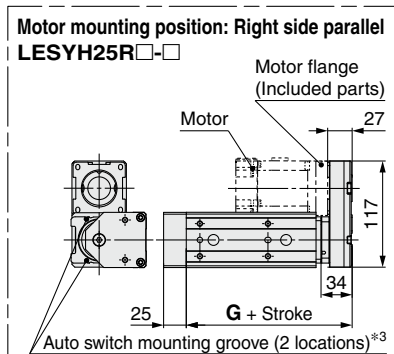
### Dimensions

Model	Stroke	B	C	D	E	G	MC	MD	ML
LESYH25□-50	50	96.5	75	4	143	131	36	43	50
LESYH25□-100	100	126.5	65	8	207	161	53	51.5	80
LESYH25□-150	150	126.5	65	8	285	161	53	51.5	80

### Motor Mounting Position: In-line/Motor Mounting, Applicable Motor Dimensions [mm]

Size	Mounting type	FA		FB	FC	FD	FE (Max.)	FF	FJ	FK
		Mounting type	Applicable motor							
LESYH25	NZ	M5 x 0.8	ø5.8	8.5	ø70	50	3.3	60	14	30 ±1
	NY	M4 x 0.7	ø4.5	8	ø70	50	3.3	60	11	30 ±1
	NX	M5 x 0.8	ø5.8	8.5	ø63	40	3.5	63	9	20 ±1
	NW	M5 x 0.8	ø5.8	8.5	ø70	50	3.3	60	9	25 ±1
	NV	M4 x 0.7	ø4.5	8	ø63	40	3.3	63	9	20 ±1
	NU	M5 x 0.8	ø5.8	8.5	ø70	50	3.3	60	11	23 ±1
	NT	M5 x 0.8	ø5.8	8.5	ø70	50	3.3	60	12	30 ±1
	NM1	M4 x 0.7	ø4.5	9.5	□47.1	38.1	2	34	6.35*1	20 ±1
	NM2	M4 x 0.7	ø4.5	8	□50	36	3.3	60	10	24 ±1

\*1 Shaft type: D-cut shaft



\*1 Do not allow collisions at either end of the table operating range at a speed exceeding "pushing speed." Additionally, when running the positioning operation, do not set within 2 mm of both ends.

\*2 If the workpiece retaining screws are too long, they may come in contact with the guide block, resulting in a malfunction. Use screws of a length equal to or shorter than the thread length.

\*3 For checking the limit and the intermediate signal. Applicable to the D-M9□, D-M9□E, and D-M9□W (2-color indicator) The auto switches should be ordered separately. Refer to pages 215 to 217 for details.

### Motor Mounting Position: Parallel/Motor Mounting, Applicable Motor Dimensions [mm]

Size	Mounting type	FA		FB	FC	FD	FE (Max.)	FF	FJ	FK
		Mounting type	Applicable motor							
LESYH25	NZ	M5 x 0.8	ø5.8	8.5	ø70	50	4.6	13	14	30 ±1
	NY	M4 x 0.7	ø4.5	7	ø70	50	4.6	13	11	30 ±1
	NW	M5 x 0.8	ø5.8	8.5	ø70	50	4.6	13	9	25 ±1
	NU	M5 x 0.8	ø5.8	8.5	ø70	50	4.6	13	11	23 ±1
	NT	M5 x 0.8	ø5.8	8.5	ø70	50	4.6	17	12	30 ±1
	NM1	M4 x 0.7	ø4.5	(5)	□47.1	38.1	—	5	6.35*1	20 ±1
	NM2	M4 x 0.7	ø4.5	8	□50	38.1	—	11.5	10	24 ±1

\*1 Shaft type: D-cut shaft



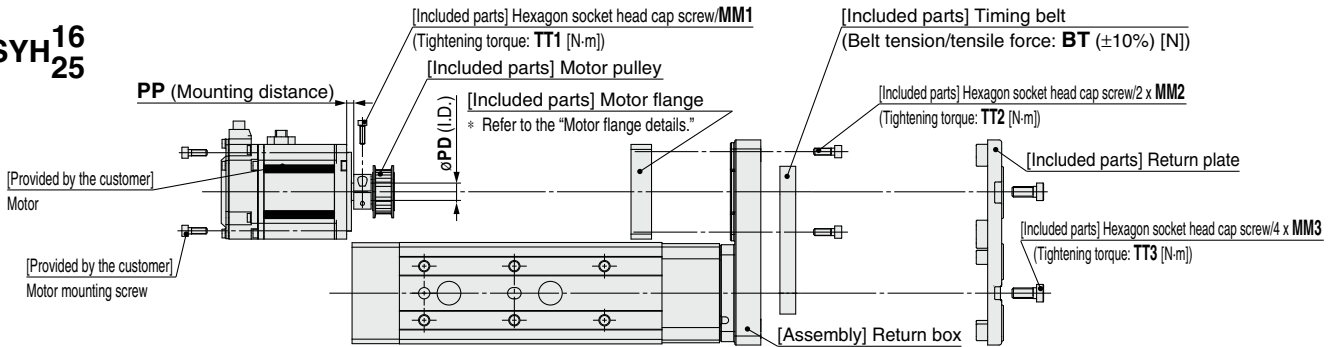
# LESYH Series

Motorless Type

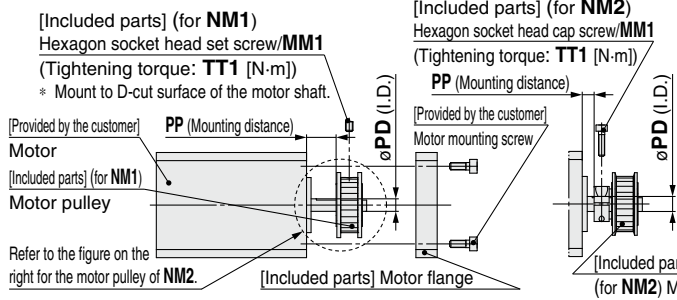
- The motor and motor mounting screws should be provided by the customer.
- Motor shaft type should be cylindrical for the NZ, NY, NW, NM2 mounting types, and D-cut type for the NM1 and NM3 mounting type.
- When mounting a pulley, remove all oil content, dust, and dirt adhered to the shaft and the inside of the pulley.
- Take measures to prevent the loosening of the motor mounting screws and hexagon socket head set screws.

## Motor Mounting: Parallel

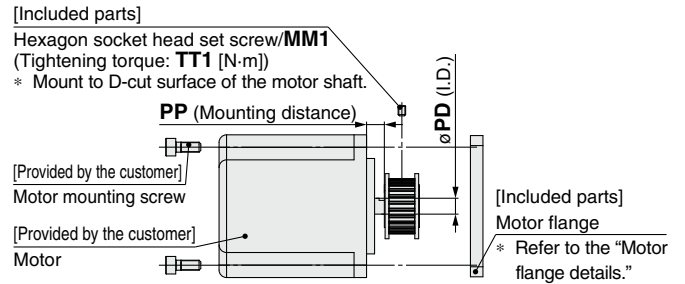
LESYH16  
25



### LESYH16: NM1, NM2, NM3



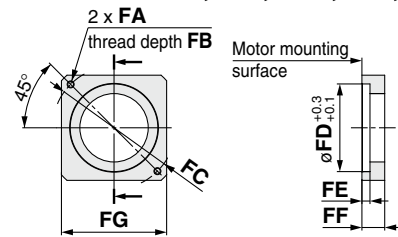
### LESYH25: NM1



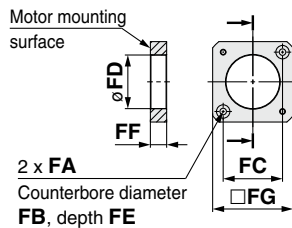
### Motor flange details

#### LESYH16: NZ, NY, NX

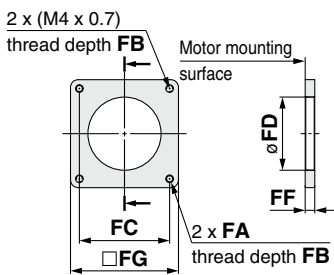
#### LESYH25: NZ, NY, NW, NU, NT



#### LESYH16: NM1, NM2, NM3



#### LESYH25: NM1, NM2



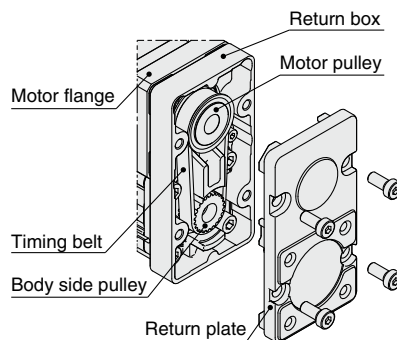
### Dimensions

Size	Mounting type	MM1	TT1	MM2	TT2	MM3	TT3	PD	PP	FA	FB	FC	FD	FE	FF	FG	BT
16	NZ	M2.5 x 10	1.0	M3 x 8	0.63	M4 x 10	1.5	8	7.5	M4 x 0.7	7.5	ø46	30	3.7	11	42	19
	NY	M2.5 x 10	1.0	M3 x 8	0.63	M4 x 10	1.5	8	7.5	M3 x 0.5	5.5	ø45	30	5	11	38	19
	NX	M2.5 x 10	1.0	M3 x 8	0.63	M4 x 10	1.5	8	4.5	M4 x 0.7	7	ø46	30	3.7	8	42	19
	NM1	M3 x 5	0.63	M3 x 8	0.63	M4 x 10	1.5	5	11.8	ø3.4	7	□31	28	3.5	8.5	42	19
	NM2	M2.5 x 10	1.0	M3 x 8	0.63	M4 x 10	1.5	6	4.8	ø3.4	7	□31	28	3.5	8.5	42	19
	NM3	M3 x 5	0.63	M3 x 8	0.63	M4 x 10	1.5	5	8.8	ø3.4	7	□31	28	3.5	5.5	42	19
25	NZ	M3 x 12	1.5	M4 x 12	1.5	M6 x 14	5.2	14	4.5	M5 x 0.8	8.5	ø70	50	4.6	13	60	30
	NY	M3 x 12	1.5	M4 x 12	1.5	M6 x 14	5.2	11	4.5	M4 x 0.7	7	ø70	50	4.6	13	60	30
	NW	M4 x 12	3.6	M4 x 12	1.5	M6 x 14	5.2	9	4.5	M5 x 0.8	8.5	ø70	50	4.6	13	60	30
	NU	M3 x 12	1.5	M4 x 12	1.5	M6 x 14	5.2	11	4.5	M5 x 0.8	8.5	ø70	50	4.6	13	60	30
	NT	M3 x 12	1.5	M4 x 12	1.5	M6 x 14	5.2	12	8.5	M5 x 0.8	8.5	ø70	50	4.6	17	60	30
	NM1	M3 x 5	0.63	M4 x 12	1.5	M6 x 14	5.2	6.35	8	M4 x 0.7	(5)	□47.1	38.2	—	5	56.4	30
NM2	M3 x 12	1.5	M4 x 12	1.5	M6 x 14	5.2	10	3	M4 x 0.7	8	□50	38.2	—	11.5	60	30	

### Motor Mounting Diagram

#### Mounting procedure

- 1) Secure the motor pulley to the motor (provided by the customer) with the MM1 hexagon socket head cap screw or hexagon socket head set screw.
- 2) Secure the motor to the motor flange with the motor mounting screws (provided by the customer).
- 3) Put the timing belt on the motor pulley and body side pulley, and then secure it temporarily with the MM2 hexagon socket head cap screws. (Refer to the mounting diagram.)
- 4) Apply the belt tension/tensile force: BT and tighten the timing belt with the MM2 hexagon socket head cap screws. (The reference level is the elimination of the belt deflection.)
- 5) Secure the return plate with the MM3 hexagon socket head cap screws.



### Included Parts List

Size: 16, 25

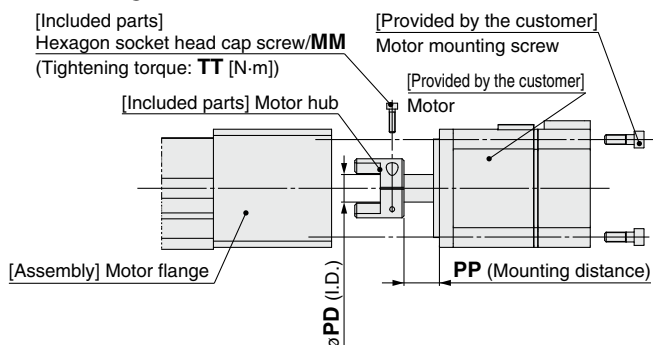
Description	Quantity		
	Mounting type		
	NZ/NY/NW/NT/NM2	NM1/NM3	
Motor flange	1	1	
Motor pulley	1	1	
Return plate	1	1	
Timing belt	1	1	
Hexagon socket head cap screw (to mount the return plate)	4	4	
Hexagon socket head cap screw (to mount the motor flange)	2	2	
Hexagon socket head cap screw (to secure the pulley)	1	—	
Hexagon socket head set screw (to secure the pulley)	—	1	



- The motor and motor mounting screws should be provided by the customer.
- Motor shaft type should be cylindrical for the NZ, NY, NX, NW, NM2 mounting types, and D-cut type for the NM1 mounting type.
- When mounting a hub, remove all oil content, dust, and dirt adhered to the shaft and the inside of the hub.
- Take measures to prevent the loosening of the motor mounting screws and hexagon socket head set screws.

## Motor Mounting: In-line

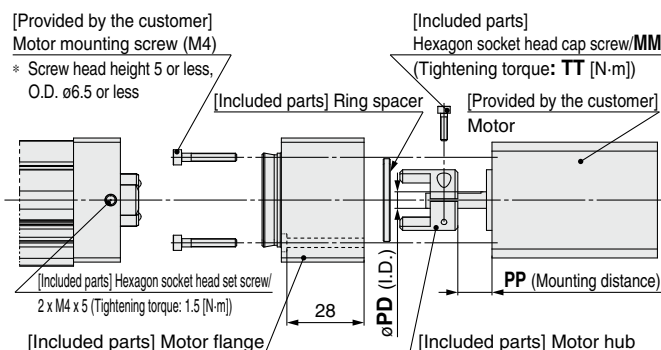
### LESYH<sub>16</sub><sup>16D</sup><sub>25D</sub>



#### Mounting procedure

- 1) Secure the motor hub to the motor (provided by the customer) with the MM hexagon socket head cap screw.
- 2) Check the motor hub position, and then insert it. (Refer to the mounting diagram.)
- 3) Secure the motor to the motor flange with the motor mounting screws (provided by the customer).

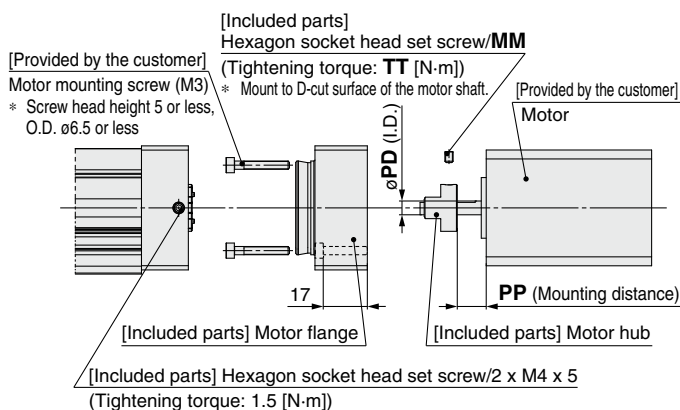
### LESYH16D: NM2



#### Mounting procedure

- 1) Insert the ring spacer into the motor (provided by the customer).
- 2) Secure the motor hub to the motor (provided by the customer) with the M2.5 x 10 hexagon socket head cap screw.
- 3) Secure the motor to the motor flange with the motor mounting screws (provided by the customer).
- 4) Check the motor hub position, and then insert it. (Refer to the mounting diagram.)
- 5) Secure the motor flange with the M4 x 5 hexagon socket head set screws.

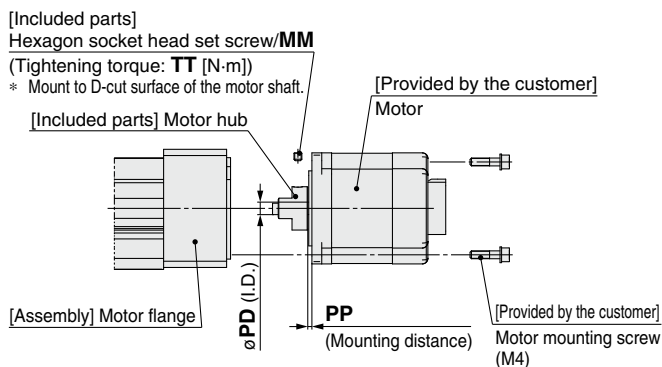
### LESYH16D: NM1



#### Mounting procedure

- 1) Secure the motor hub to the motor (provided by the customer) with the M3 x 4 hexagon socket head set screw.
- 2) Secure the motor to the motor flange with the motor mounting screws (provided by the customer).
- 3) Check the motor hub position, and then insert it. (Refer to the mounting diagram.)
- 4) Secure the motor flange with the M4 x 5 hexagon socket head set screws.

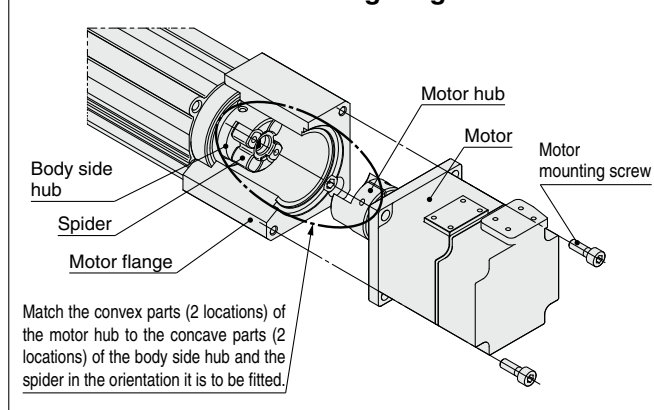
### LESYH25D: NM1



#### Mounting procedure

- 1) Secure the motor hub to the motor (provided by the customer) with the MM hexagon socket head set screw.
- 2) Check the motor hub position, and then insert it. (Refer to the mounting diagram.)
- 3) Secure the motor to the motor block with the motor mounting screws (provided by the customer).

### Motor Mounting Diagram



### Dimensions

		[mm]				
Size	Mounting type	MM	TT	PD	PP	
16	NZ	M2.5 x 10	1.0	8	12.5	
	NY	M2.5 x 10	1.0	8	12.5	
	NX	M2.5 x 10	1.0	8	7	
	NM1	M3 x 5	0.63	5	10.5	
25	NM2	M2.5 x 10	1.0	6	12.4	
	NZ	M3 x 12	1.5	14	18	
	NY	M4 x 12	3.6	11	18	
	NX	M4 x 12	3.6	9	5	
	NW	M4 x 12	3.6	9	12	
	NV	M4 x 12	3.6	9	5	
	NU	M4 x 12	3.6	11	12	
	NT	M3 x 12	1.5	12	18	
	NM1	M4 x 5	1.5	6.35	2.1	
	NM2	M4 x 12	3.6	10	12	

### Included Parts List

#### Size: 16

Description	Quantity			
	Mounting type	NZ/NY/NX	NM1	NM2
Motor hub	1	1	1	
Hexagon socket head cap screw (to secure the hub)	1	—	1	
Motor flange	—	1	1	
Hexagon socket head set screw (to secure the hub)	—	1	—	
Hexagon socket head set screw (to secure the motor flange)	—	2	2	
Ring spacer	—	—	1	

#### Size: 25

Description	Quantity	
	Mounting type	NM1
Motor hub	1	1
Hexagon socket head cap screw (to secure the hub)	1	—
Hexagon socket head set screw (to secure the hub)	—	1

Model Selection

LEKFS

LEFS

LEFB

LEJS

LET-X11

LEY

LEYG

LESYH

Motor Mounting

# LESYH Series Motor Mounting Parts

## Motor Flange Option

A motor can be added to the motorless specification after purchase. The applicable mounting types are shown below. (Excludes options “NM1” and “NM3”)

Use the following part numbers to select a compatible motor flange option and place an order.

## How to Order

LEY-MF **25** **P** - **NZ**

①

②

③

### ① Size

25	For the LESYH16
32	For the LESYH25

\* Please note that the size in the model number is different from the actuator size.

### ② Motor mounting position

P	Parallel
D	In-line

### ③ Mounting type

NZ	NV
NY	NU
NX	NT
NW	NM2

## Compatible Motors and Mounting Types\*2

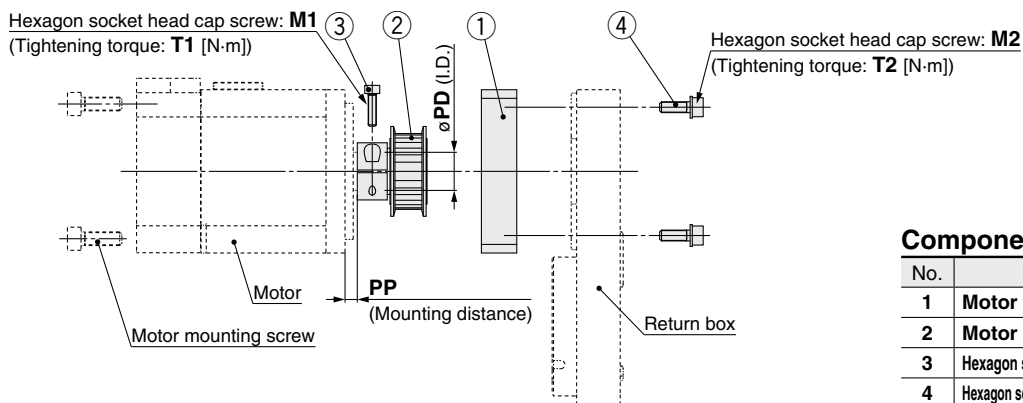
Applicable motor model		Actuator/Mounting type														
Manufacturer	Series	16						25								
		NZ	NY	NX	NM1	NM2	NM3	NZ	NY	NX	NW	NV	NU	NT	NM1	NM2
Mitsubishi Electric Corporation	MELSERVO JN/J4/J5	●	—	—	—	—	—	●	—	—	—	—	—	—	—	—
YASKAWA Electric Corporation	Σ-V/7/X	●	—	—	—	—	—	●	—	—	—	—	—	—	—	
SANYO DENKI CO., LTD.	SANMOTION R	●	—	—	—	—	—	●	—	—	—	—	—	—	—	
OMRON Corporation	OMNUC G5/1S	●	—	—	—	—	—	●	—	—	—	—	—	—	—	
Panasonic Corporation	MINAS A5/A6	●	●	—	—	—	—	●	—	—	—	—	—	—	—	
FANUC CORPORATION	βis (-B)	●	—	—	—	—	—	● (β1 only)	—	—	●	—	—	—	—	
NIDEC SANKYO CORPORATION	S-FLAG	●	—	—	—	—	—	●	—	—	—	—	—	—	—	
KEYENCE CORPORATION	SV/SV2	●	—	—	—	—	—	●	—	—	—	—	—	—	—	
FUJI ELECTRIC CO., LTD.	ALPHA7	●	—	—	—	—	—	●	—	—	—	—	—	—	—	
MinebeaMitsumi Inc.	Hybrid stepping motors	—	—	—	●	—	●	—	—	—	—	—	—	—	●	
Shinano Kenshi Co., Ltd.	CSB-BZ	—	—	—	●	—	●	—	—	—	—	—	—	—	—	
ORIENTAL MOTOR Co., Ltd.	α STEP AR/AZ	—	—	—	—	●	—	—	—	—	—	—	—	—	●	
FASTECH Co., Ltd.	Ezi-SERVO	—	—	—	●	—	—	—	—	—	—	—	—	—	●	
Rockwell Automation, Inc. (Allen-Bradley)	Kinetix MP/VP/TL	●	—	—	—	—	—	—	—	●*1 (MP/VP only)	—	—	—	●	—	
Beckhoff Automation GmbH	AM 30/31/80/81	●	—	—	—	—	—	—	—	●*1 (80/81 only)	—	●*1	●	—	—	
Siemens AG	SIMOTICS S-1FK7	—	—	●	—	—	—	—	—	●*1	—	—	—	—	—	
Delta Electronics, Inc.	ASDA-A2	●	—	—	—	—	—	●	—	—	—	—	—	—	—	
ANCA Motion	AMD2000	●	—	—	—	—	—	●	—	—	—	—	—	—	—	

\* When the LESYH<sub>25</sub><sup>16</sup>□<sup>NM1</sup>□<sup>NM3</sup> is purchased, it is not possible to change to other mounting types.

\*1 Motor mounting position: In-line only  
\*2 The compatible motors and mounting types are typical examples. Select the mounting type after referring to the “Motor Mounting, Applicable Motor Dimensions” tables on the following actuator body “Dimensions” pages.

**Dimensions: Motor Flange Option**

**Motor mounting position: Parallel**

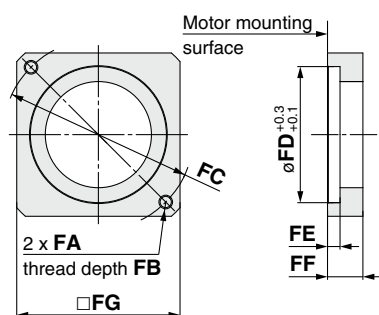


**Component Parts**

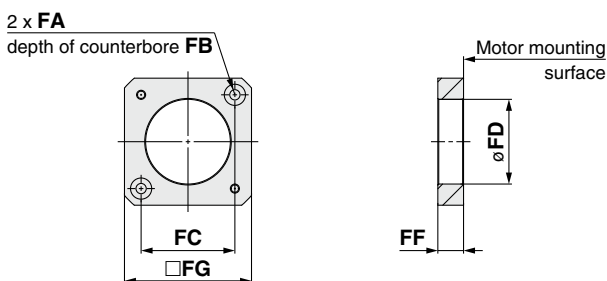
No.	Description	Quantity
1	Motor flange	1
2	Motor pulley	1
3	Hexagon socket head cap screw (to secure the pulley)	1
4	Hexagon socket head cap screw (to mount the motor flange)	2

**Motor flange details**

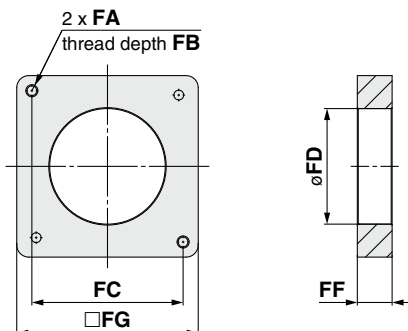
**Size: 25, 32**



**Size 25: NM2**



**Size 32: NM2**



**Dimensions**

Size	Mounting type	FA	FB	FC	FD	FE	FF	FG	M1	T1	M2	T2	PD	PP
25 (LESYH16)	NZ	M4 x 0.7	7.5	$\phi 46$	30	3.7	11	42	M2.5 x 10	1.0	M3 x 8	0.63	8	7.5
	NY	M3 x 0.5	5.5	$\phi 45$	30	5	11	42	M2.5 x 10	1.0	M3 x 8	0.63	8	7.5
	NX	M4 x 0.7	7	$\phi 46$	30	3.7	8	42	M2.5 x 10	1.0	M3 x 8	0.63	8	4.5
	NM2	$\phi 3.4$	7	$\square 31$	30	3.7	8.5	42	M2.5 x 10	1.0	M3 x 8	0.63	6	4.8
32 (LESYH25)	NZ	M5 x 0.8	8.5	$\phi 70$	50	4.6	13	60	M3 x 12	1.5	M4 x 12	1.5	14	4.5
	NY	M4 x 0.7	7	$\phi 70$	50	4.6	13	60	M3 x 12	1.5	M4 x 12	1.5	11	4.5
	NW	M5 x 0.8	8.5	$\phi 70$	50	4.6	13	60	M4 x 12	3.6	M4 x 12	1.5	9	4.5
	NU	M5 x 0.8	8.5	$\phi 70$	50	4.6	13	60	M3 x 12	1.5	M4 x 12	1.5	11	4.5
	NT	M5 x 0.8	8.5	$\phi 70$	50	4.6	17	60	M3 x 12	1.5	M4 x 12	1.5	12	8.5
	NM2	M4 x 0.7	8	$\square 50$	38.2	—	11.5	60	M3 x 12	1.5	M4 x 12	1.5	10	3

Model Selection

LEKFS

LEFS

LEFB

LEJS

LET-X11

LEY

LEYG

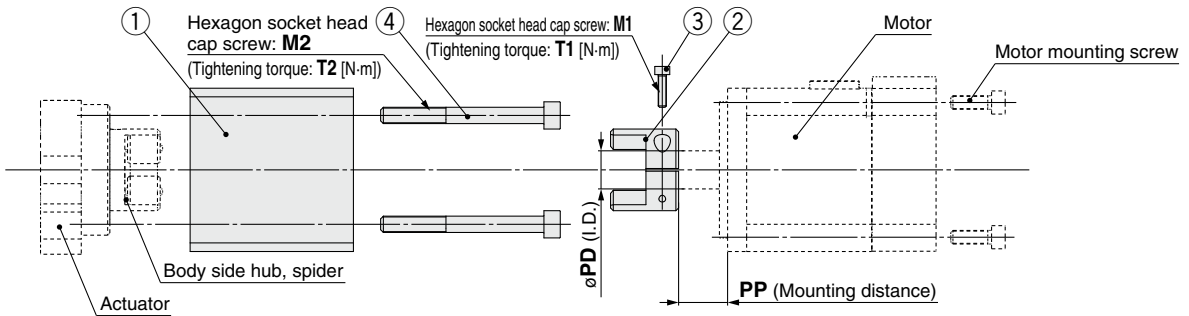
LESYH

Motor Mounting

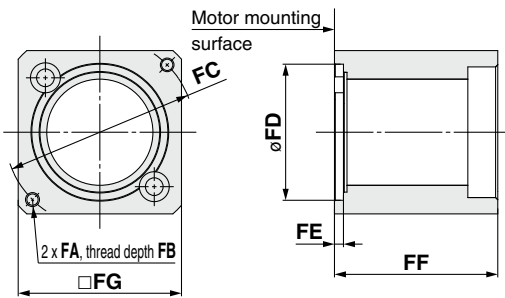
# LESYH Series

## Dimensions: Motor Flange Option

### Motor mounting position: In-line



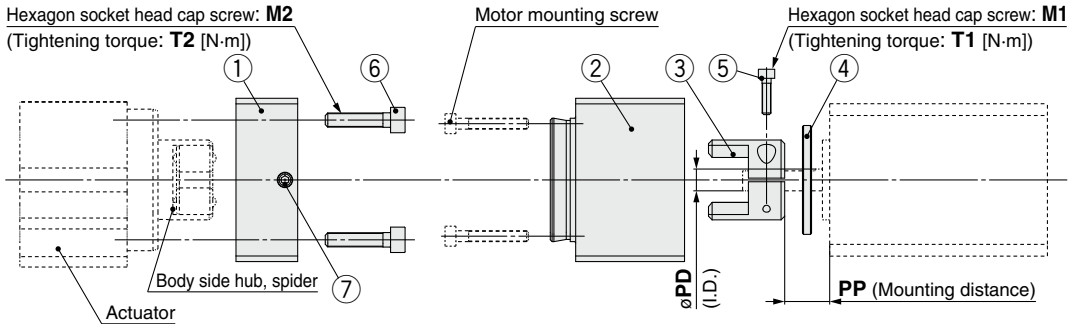
#### Motor flange details



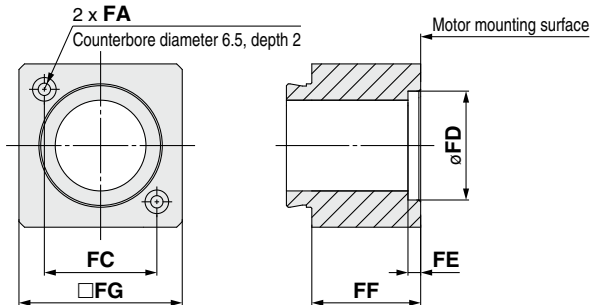
#### Component Parts

No.	Description	Quantity
1	Motor flange	1
2	Motor hub	1
3	Hexagon socket head cap screw (to secure the hub)	1
4	Hexagon socket head cap screw (to mount the motor block)	2

### Size: 25, Mounting type: NM2



#### Motor flange B details



#### Component Parts

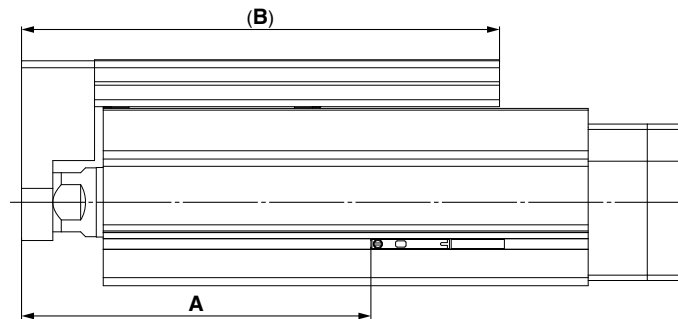
No.	Description	Quantity
1	Motor flange A	1
2	Motor flange B	1
3	Motor hub	1
4	Ring spacer	1
5	Hexagon socket head cap screw (to secure the hub)	1
6	Hexagon socket head cap screw (to mount the motor flange A)	2
7	Hexagon socket head set screw (to secure the motor flange B)	2

### Dimensions

Size	Mounting type	FA	FB	FC	FD	FE	FF	FG	M1	T1	M2	T2	PD	PP
25 (LESYH16)	NZ	M4 x 0.7	7.5	$\phi 46$	30	3.7	47	45	M2.5 x 10	1.0	M4 x 40	1.5	8	12.5
	NY	M3 x 0.5	6	$\phi 45$	30	4.2	47	45	M2.5 x 10	1.0	M4 x 40	1.5	8	12.5
	NX	M4 x 0.7	7.5	$\phi 46$	30	3.7	47	45	M2.5 x 10	1.0	M4 x 40	1.5	8	7
	NM2	$\phi 3.4$	28	$\square 31$	22	2.5	30	45	M2.5 x 10	1.0	M4 x 40	1.5	6	12.4
32 (LESYH25)	NZ	M5 x 0.8	8.5	$\phi 70$	50	3.3	60	60	M3 x 12	1.5	M6 x 60	5.2	14	18
	NY	M4 x 0.7	8	$\phi 70$	50	3.3	60	60	M4 x 12	3.6	M6 x 60	5.2	11	18
	NX	M5 x 0.8	8.5	$\phi 63$	40	3.5	63	60	M4 x 12	3.6	M6 x 60	5.2	9	5
	NW	M5 x 0.8	8.5	$\phi 70$	50	3.3	60	60	M4 x 12	3.6	M6 x 60	5.2	9	12
	NV	M4 x 0.7	8	$\phi 63$	40	3.3	63	60	M4 x 12	3.6	M6 x 60	5.2	9	5
	NU	M5 x 0.8	8.5	$\phi 70$	50	3.3	60	60	M4 x 12	3.6	M6 x 60	5.2	11	12
	NT	M5 x 0.8	8.5	$\phi 70$	50	3.3	60	60	M3 x 12	1.5	M6 x 60	5.2	12	18
NM2	M4 x 0.7	8	$\square 50$	36	3.3	60	60	M4 x 12	3.6	M6 x 60	5.2	10	12	

# LESYH Series Auto Switch Mounting

## Auto Switch Mounting Position



Size	Stroke	A	B
8	50	89	126
	75	114	152
16	50	100.5	137.5
	100	150.5	212.5
25	50	108	168
	100	158	232
	150	238	310

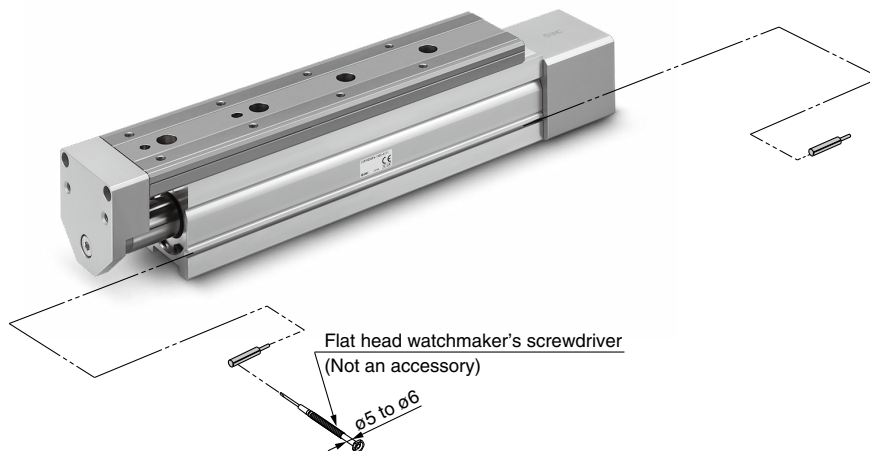
[mm]

## Auto Switch Mounting

When mounting the auto switches, they should be inserted into the actuator's auto switch mounting groove as shown in the drawing below. After setting in the mounting position, use a flat head watchmaker's screwdriver to tighten the auto switch mounting screw that is included.

### Auto Switch Mounting Screw Tightening Torque [N·m]

Auto switch model	Tightening torque
D-M9□(V) D-M9□W(V) D-M9□E	0.05 to 0.15



\* When tightening the auto switch mounting screw (included with auto switch), use a watchmaker's screwdriver with a handle diameter of about 5 to 6 mm.

Model Selection

LEKFS

LEFS

LEFB

LEJS

LET-X11

LEY

LEYG

LESYH

Motor Mounting

# Solid State Auto Switch Direct Mounting Type D-M9N(V)/D-M9P(V)/D-M9B(V)



Refer to the SMC website for details on products that are compliant with international standards.

## Auto Switch Specifications

PLC: Programmable Logic Controller

D-M9□, D-M9□V (With indicator light)						
Auto switch model	D-M9N	D-M9NV	D-M9P	D-M9PV	D-M9B	D-M9BV
Electrical entry direction	In-line	Perpendicular	In-line	Perpendicular	In-line	Perpendicular
Wiring type	3-wire				2-wire	
Output type	NPN		PNP		—	
Applicable load	IC circuit, Relay, PLC				24 VDC relay, PLC	
Power supply voltage	5, 12, 24 VDC (4.5 to 28 V)				—	
Current consumption	10 mA or less				—	
Load voltage	28 VDC or less		—		24 VDC (10 to 28 VDC)	
Load current	40 mA or less				2.5 to 40 mA	
Internal voltage drop	0.8 V or less at 10 mA (2 V or less at 40 mA)				4 V or less	
Leakage current	100 μA or less at 24 VDC				0.8 mA or less	
Indicator light	Red LED illuminates when turned ON.					
Standards	CE/UKCA marking					

### Grommet

- 2-wire load current is reduced (2.5 to 40 mA).
- Using flexible cable as standard spec.



## Oilproof Flexible Heavy-duty Lead Wire Specifications

Auto switch model		D-M9N(V)	D-M9P(V)	D-M9B(V)
Sheath	Outside diameter [mm]	ø2.6		
Insulator	Number of cores	3 cores (Brown/Blue/Black)		2 cores (Brown/Blue)
	Outside diameter [mm]	ø0.88		
Conductor	Effective area [mm <sup>2</sup> ]	0.15		
	Strand diameter [mm]	ø0.05		
Min. bending radius [mm] (Reference values)		17		

- \* Refer to the **Web Catalog** for solid state auto switch common specifications.
- \* Refer to the **Web Catalog** for lead wire lengths.

### Caution

#### Precautions

Fix the auto switch with the existing screw installed on the auto switch body. The auto switch may be damaged if a screw other than the one supplied is used.

## Weight

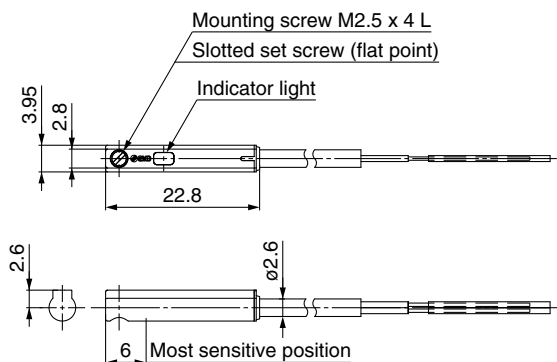
[g]

Auto switch model		D-M9N(V)	D-M9P(V)	D-M9B(V)
Lead wire length	0.5 m (Nil)	8	7	7
	1 m (M)	14	13	13
	3 m (L)	41	38	38
	5 m (Z)	68	63	63

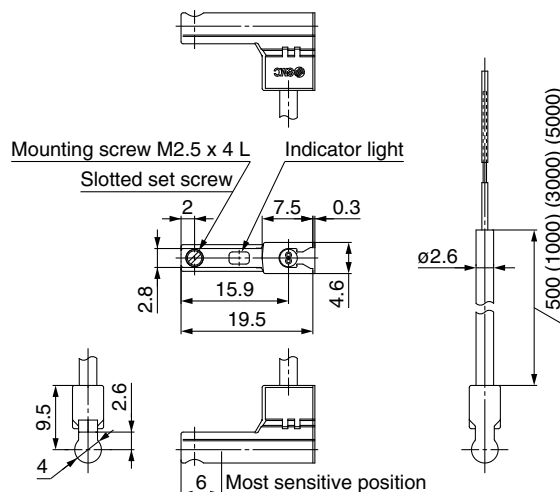
## Dimensions

[mm]

### D-M9□



### D-M9□V



# Normally Closed Solid State Auto Switch Direct Mounting Type D-M9NE(V)/D-M9PE(V)/D-M9BE(V)



Refer to the SMC website for details on products that are compliant with international standards.

PLC: Programmable Logic Controller

## Grommet

- Output signal turns on when no magnetic force is detected.
- Can be used for the actuator adopted by the solid state auto switch D-M9 series (excluding special order products)



## Caution

### Precautions

Fix the auto switch with the existing screw installed on the auto switch body. The auto switch may be damaged if a screw other than the one supplied is used.

## Auto Switch Specifications

D-M9□E, D-M9□EV (With indicator light)						
Auto switch model	D-M9NE	D-M9NEV	D-M9PE	D-M9PEV	D-M9BE	D-M9BEV
Electrical entry direction	In-line	Perpendicular	In-line	Perpendicular	In-line	Perpendicular
Wiring type	3-wire				2-wire	
Output type	NPN		PNP		—	
Applicable load	IC circuit, Relay, PLC				24 VDC relay, PLC	
Power supply voltage	5, 12, 24 VDC (4.5 to 28 V)				—	
Current consumption	10 mA or less				—	
Load voltage	28 VDC or less		—		24 VDC (10 to 28 VDC)	
Load current	40 mA or less				2.5 to 40 mA	
Internal voltage drop	0.8 V or less at 10 mA (2 V or less at 40 mA)				4 V or less	
Leakage current	100 μA or less at 24 VDC				0.8 mA or less	
Indicator light	Red LED illuminates when turned ON.					
Standards	CE/UKCA marking					

## Oilproof Flexible Heavy-duty Lead Wire Specifications

Auto switch model	D-M9NE(V)	D-M9PE(V)	D-M9BE(V)
Sheath	Outside diameter [mm]		
	ø2.6		
Insulator	Number of cores		2 cores (Brown/Blue)
	Outside diameter [mm]		ø0.88
Conductor	Effective area [mm <sup>2</sup> ]		0.15
	Strand diameter [mm]		ø0.05
Min. bending radius [mm] (Reference values)			
17			

- \* Refer to the **Web Catalog** for solid state auto switch common specifications.
- \* Refer to the **Web Catalog** for lead wire lengths.

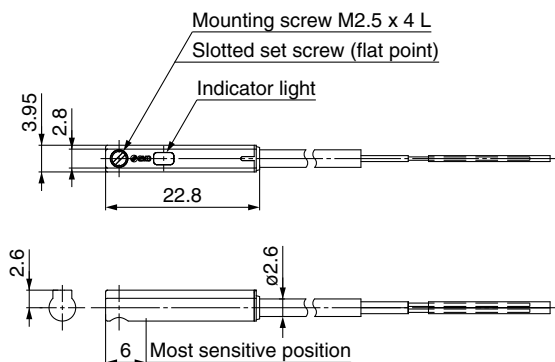
## Weight

Auto switch model	D-M9NE(V)	D-M9PE(V)	D-M9BE(V)
Lead wire length	0.5 m (Nil)	8	7
	1 m (M)*1	14	13
	3 m (L)	41	38
	5 m (Z)*1	68	63

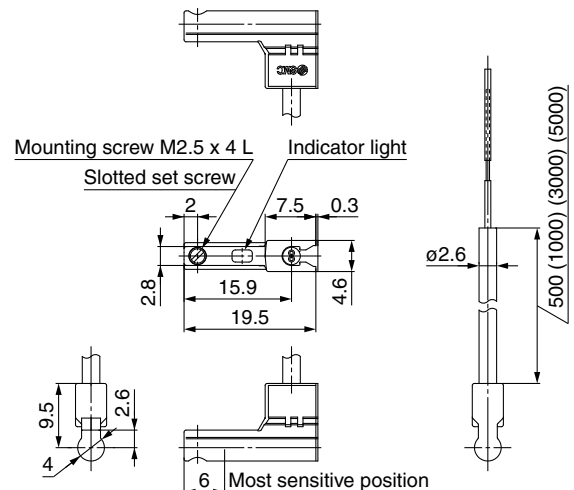
\*1 The 1 m and 5 m options are produced upon receipt of order.

## Dimensions

### D-M9□E



### D-M9□EV





# 2-Color Indicator Solid State Auto Switch Direct Mounting Type D-M9NW(V)/D-M9PW(V)/D-M9BW(V)



Refer to the SMC website for details on products that are compliant with international standards.

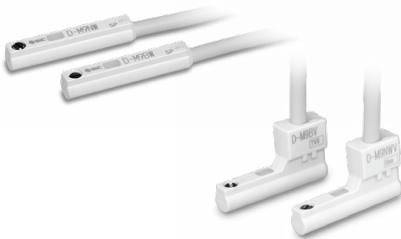
## Auto Switch Specifications

PLC: Programmable Logic Controller

D-M9□W, D-M9□WV (With indicator light)						
Auto switch model	D-M9NW	D-M9NWV	D-M9PW	D-M9PWV	D-M9BW	D-M9BWV
Electrical entry direction	In-line	Perpendicular	In-line	Perpendicular	In-line	Perpendicular
Wiring type	3-wire				2-wire	
Output type	NPN		PNP		—	
Applicable load	IC circuit, Relay, PLC				24 VDC relay, PLC	
Power supply voltage	5, 12, 24 VDC (4.5 to 28 V)				—	
Current consumption	10 mA or less				—	
Load voltage	28 VDC or less		—		24 VDC (10 to 28 VDC)	
Load current	40 mA or less				2.5 to 40 mA	
Internal voltage drop	0.8 V or less at 10 mA (2 V or less at 40 mA)				4 V or less	
Leakage current	100 μA or less at 24 VDC				0.8 mA or less	
Indicator light	Operating range ..... Red LED illuminates. Proper operating range ..... Green LED illuminates.					
Standards	CE/UKCA marking					

### Grommet

- 2-wire load current is reduced (2.5 to 40 mA).
- Using flexible cable as standard spec.
- The proper operating range can be determined by the color of the light. (Red → Green ← Red)



### Caution

#### Precautions

Fix the auto switch with the existing screw installed on the auto switch body. The auto switch may be damaged if a screw other than the one supplied is used.

## Oilproof Flexible Heavy-duty Lead Wire Specifications

Auto switch model		D-M9NW(V)	D-M9PW(V)	D-M9BW(V)
Sheath	Outside diameter [mm]	ø2.6		
Insulator	Number of cores	3 cores (Brown/Blue/Black)		2 cores (Brown/Blue)
	Outside diameter [mm]	ø0.88		
Conductor	Effective area [mm <sup>2</sup> ]	0.15		
	Strand diameter [mm]	ø0.05		
Min. bending radius [mm] (Reference values)		17		

- \* Refer to the **Web Catalog** for solid state auto switch common specifications.
- \* Refer to the **Web Catalog** for lead wire lengths.

## Weight

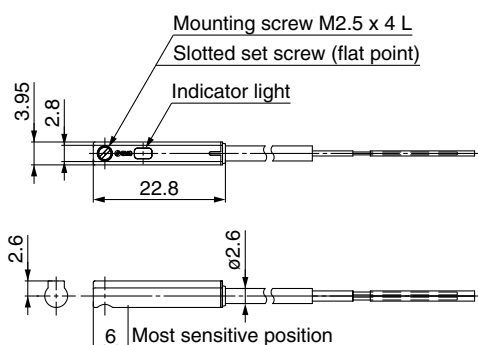
[g]

Auto switch model		D-M9NW(V)	D-M9PW(V)	D-M9BW(V)
Lead wire length	0.5 m (Nil)	8	7	7
	1 m (M)	14	13	13
	3 m (L)	41	38	38
	5 m (Z)	68	63	63

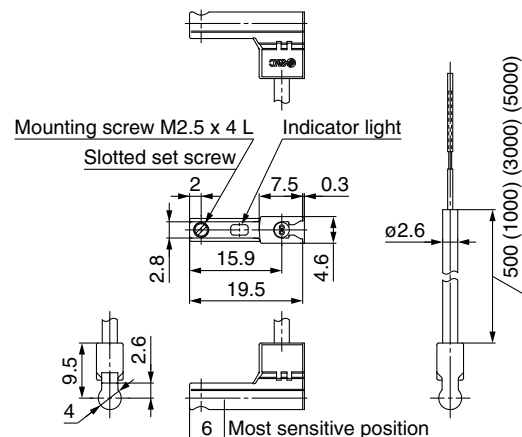
## Dimensions

[mm]

### D-M9□W



### D-M9□WV





# LESYH Series Specific Product Precautions 1

Be sure to read this before handling the products. Refer to the back cover for safety instructions. For electric actuator and auto switch precautions, refer to the "Handling Precautions for SMC Products" and the "Operation Manual" on the SMC website: <https://www.smcworld.com>

## Design

### Warning

- Do not apply a load in excess of the specification limits.**  
Select a suitable actuator by work load and allowable moment. If the product is used outside of the specification limits, the eccentric load applied to the guide will be excessive and have adverse effects such as the generation of play on the guide, reduced accuracy, reduced service life of the product.
- Do not use the product in applications where excessive external force or impact force is applied to it.**  
This can cause a malfunction.

## Handling

### Caution

#### 1. When lining up actuators

SMC actuators can be used with their motors (provided by the customer) adjacent to each other. However, for actuators with a built-in auto switch magnet, maintain a space of 40 mm or more between the motors and the position where the magnet passes. Refer to the construction drawings in the catalog for the magnet position.

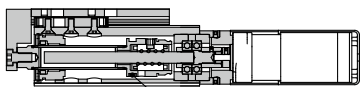


Can be used with their motors adjacent to each other

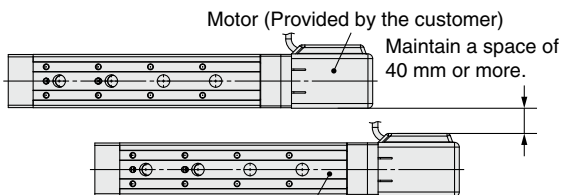


Do not allow the motors to be in close proximity to the position where the magnet passes.

Motor (Provided by the customer)



Electric actuator built-in magnet portion



Electric actuator built-in magnet portion

#### 2. Do not dent, scratch, or cause other damage to the body, table and end plate mounting surfaces.

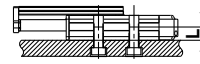
Doing so may cause unevenness in the mounting surface, play in the guide, or an increase in the sliding resistance.

## Handling

### Caution

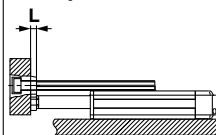
- Do not dent, scratch or cause other damage to the surface over which the rail and guide will move.**  
Doing so may cause play or an increase in the sliding resistance.
- Do not apply strong impact or an excessive moment while mounting a workpiece.**  
If an external force over the allowable moment is applied, it may cause play in the guide or an increase in the sliding resistance.
- Keep the flatness of mounting surface within 0.02 mm.**  
If a workpiece or base does not sit evenly on the body of the product, play in the guide or an increase in the sliding resistance may occur. Do not deform the mounting surface by mounting with workpieces tucked in.
- Do not drive the main body with the table fixed.**
- When mounting the product, use screws of adequate length and tighten them to the maximum torque or less.**  
Tightening the screws with a higher torque than recommended may result in a malfunction, while tightening with a lower torque can result in the displacement of the mounting position or, in extreme conditions, the actuator could become detached from its mounting position.

#### Body fixed/ Side mounting (Body tapped)



Size	Screw size	Max. tightening torque [N·m]	L (Max. screw-in depth [mm])
8	M4 x 0.7	1.5	5
16	M5 x 0.8	3	6.5
25	M6 x 1	5.2	8.5

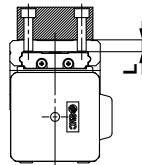
#### Workpiece fixed/Front mounting



Size	Screw size	Max. tightening torque [N·m]	L [mm]
8	M4 x 0.7	1.5	8
16	M5 x 0.8	3	10
25	M6 x 1	5.2	12

To prevent the workpiece retaining screws from penetrating the end plate, use screws that are 0.5 mm or shorter than the maximum screw-in depth. If long screws are used, they may touch the end plate and cause a malfunction.

#### Workpiece fixed/Top mounting



Size	Screw size	Max. tightening torque [N·m]	L [mm]
8	M3 x 0.5	0.63	4.8 (Max.)
16	M5 x 0.8	3	6.5 (Max.)
25	M6 x 1	5.2	8 (Max.)

To prevent the workpiece retaining screws from touching the guide block, use screws that are the maximum screw-in depth or less. If long screws are used, they may touch the guide block and cause a malfunction.

#### 8. When external force is to be applied to the table, it is necessary to reduce the work load for the sizing.

When a cable duct or flexible moving tube is attached to the actuator, the sliding resistance of the table will increase, which may lead to the malfunction of the product.

Model Selection

LEKFS

LEFS

LEFB

LEJS

LET-X11

LEY

LEYG

LESYH

Motor Mounting



# LESYH Series Specific Product Precautions 2

Be sure to read this before handling the products. Refer to the back cover for safety instructions. For electric actuator and auto switch precautions, refer to the "Handling Precautions for SMC Products" and the "Operation Manual" on the SMC website: <https://www.smcworld.com>

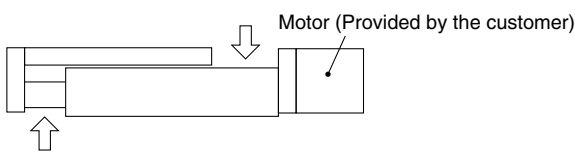
## Handling

### ⚠ Caution

9. Do not grasp or peel off a masking tape on the bottom of the body.

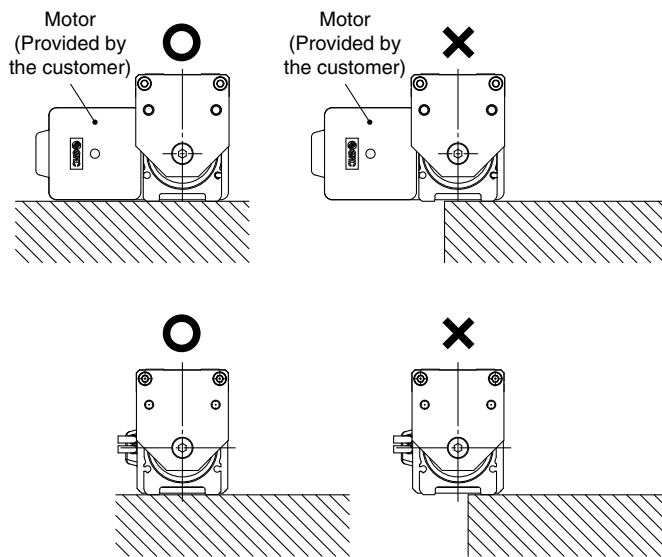
The masking tape may peel off and foreign matter may get inside the actuator.

10. When the table operates, the gap can be done between actuator (marked with the arrow below). Be careful not to put hands or fingers in a gap.



11. Install the body as shown below with the ○.

Since the product support becomes unstable, it may cause a malfunction, noise or an increase in the deflection.



12. Even with the same product number, the table of some products can be moved by hand and the table of some products cannot be moved by hand. However, there is no abnormality with these products. (Without lock)

This difference is caused because there is a little variation with the positive efficiency (when the table is moved by the motor) and there is a large variation with the reverse efficiency (when the table is moved manually) due to the product characteristics. There is hardly any difference among products when they are operated by the motor.

## Maintenance

### ⚠ Warning

1. Ensure that the power supply is stopped before starting maintenance work or replacement of the product.
2. For lubrication, wear protective glasses.
3. Perform maintenance according to the following requirements.

#### Maintenance frequency

Perform maintenance according to the table below.

Frequency	Appearance check	Belt check
Inspection before daily operation	○	—
Inspection every 6 months*1	—	○
Inspection every 250 km*1	—	○
Inspection every 5 million cycles*1	—	○

\*1 Select whichever comes first.

#### • Items for visual appearance check

1. Loose set screws, Abnormal amount of dirt, etc.
2. Check for visible damage, Check of cable joint
3. Vibration, Noise

#### • Items for belt check (R/L type only)

Stop operation immediately and replace the belt when any of the following occur.

##### a. Tooth shape canvas is worn out

Canvas fiber becomes fuzzy, Rubber is coming off and the fiber has become whitish, Lines of fibers have become unclear

##### b. Peeling off or wearing of the side of the belt

Belt corner has become rounded and frayed threads stick out

##### c. Belt partially cut

Belt is partially cut, Foreign matter caught in the teeth of other parts is causing damage

##### d. A vertical line on belt teeth is visible

Damage which is made when the belt runs on the flange

##### e. Rubber back of the belt is softened and sticky

##### f. Cracks on the back of the belt are visible

Motor  
Mounting

**LESYH**

LEYG

LEY

LET-X11

LEJS

LEFB

LEFS

LEKFS

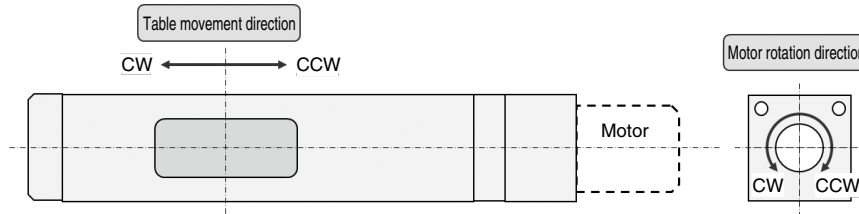
Model  
Selection

# LE□ Series

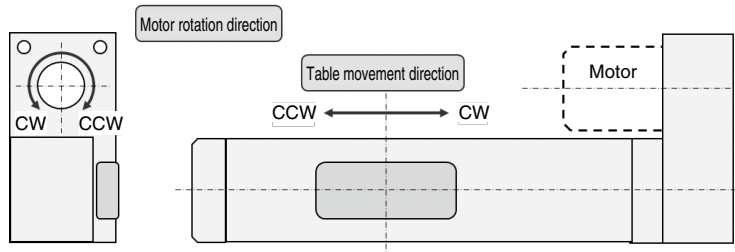
## Movement Direction Relative to the Motor Rotation Direction

### Slider Type

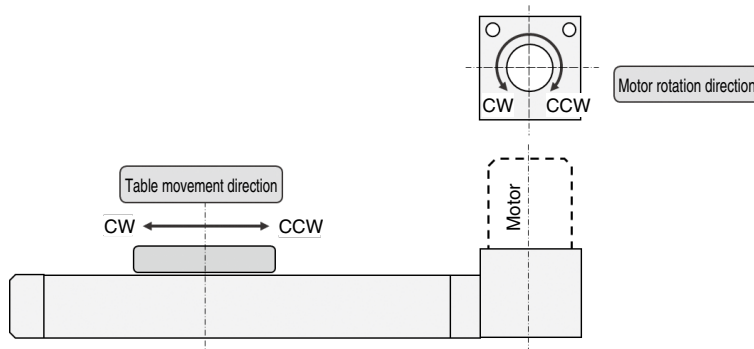
Applicable models: LEFS□N□, LEKFS□N□, LEJS□N□, LESYH□DN□/Motor mounting position: In-line



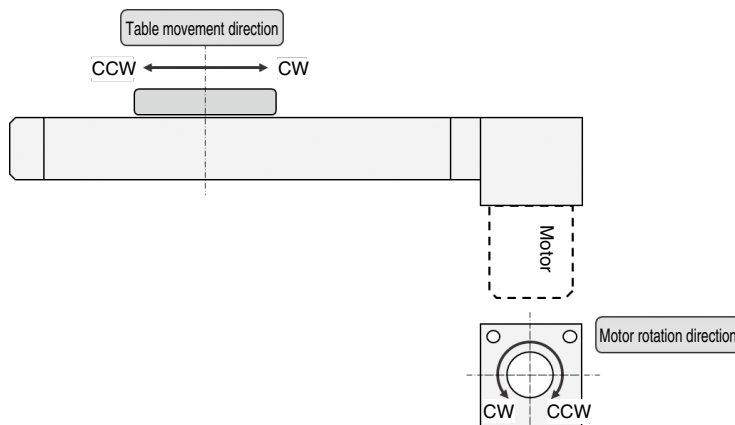
Applicable models: LEFS□(L/R)N□, LEKFS□(L/R)N□, LESYH□(L/R)N□/Motor mounting position: Right/Left side parallel



Applicable models: LEFB□N□/Motor mounting position: Top mounting

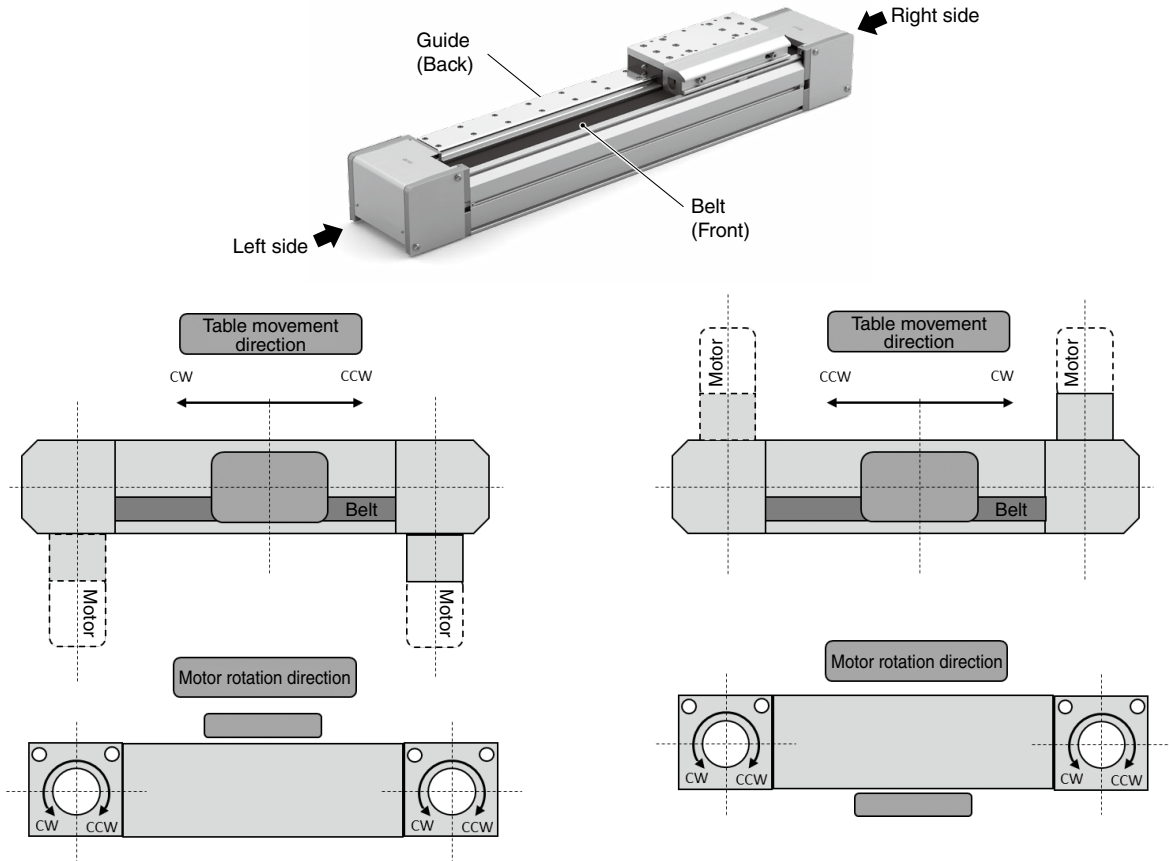


Applicable models: LEFB□UN□/Motor mounting position: Bottom mounting



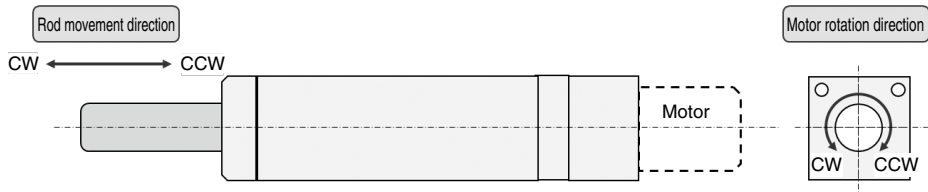
### Slider Type

Applicable models: LET□/Motor mounting position: Right/Left/Rear right/Rear left side

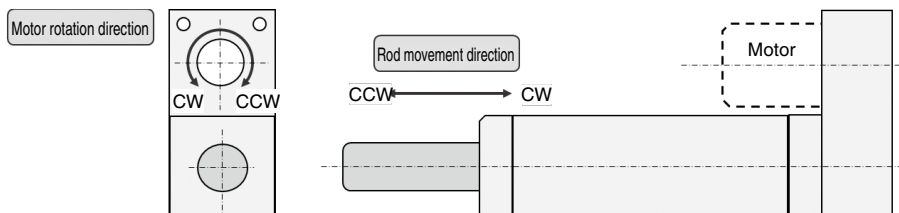


### Rod Type

Applicable models: LEY□DN□, LEYG□DN□/Motor mounting position: In-line



Applicable models: LEY□(\_/L/R)N□, LEYG□(\_/L/R)N□/Motor mounting position: Top/Right/Left side parallel



## Safety Instructions

These safety instructions are intended to prevent hazardous situations and/or equipment damage. These instructions indicate the level of potential hazard with the labels of “**Caution**,” “**Warning**” or “**Danger**.” They are all important notes for safety and must be followed in addition to International Standards (ISO/IEC)\*1), and other safety regulations.

**⚠ Danger :** **Danger** indicates a hazard with a high level of risk which, if not avoided, will result in death or serious injury.

**⚠ Warning:** **Warning** indicates a hazard with a medium level of risk which, if not avoided, could result in death or serious injury.

**⚠ Caution:** **Caution** indicates a hazard with a low level of risk which, if not avoided, could result in minor or moderate injury.

\*1) ISO 4414: Pneumatic fluid power - General rules and safety requirements for systems and their components  
ISO 4413: Hydraulic fluid power - General rules and safety requirements for systems and their components  
IEC 60204-1: Safety of machinery - Electrical equipment of machines - Part 1: General requirements  
ISO 10218-1: Robots and robotic devices - Safety requirements for industrial robots - Part 1: Robots etc.

### Warning

#### 1. The compatibility of the product is the responsibility of the person who designs the equipment or decides its specifications.

Since the product specified here is used under various operating conditions, its compatibility with specific equipment must be decided by the person who designs the equipment or decides its specifications based on necessary analysis and test results. The expected performance and safety assurance of the equipment will be the responsibility of the person who has determined its compatibility with the product. This person should also continuously review all specifications of the product referring to its latest catalog information, with a view to giving due consideration to any possibility of equipment failure when configuring the equipment.

#### 2. Only personnel with appropriate training should operate machinery and equipment.

The product specified here may become unsafe if handled incorrectly. The assembly, operation and maintenance of machines or equipment including our products must be performed by an operator who is appropriately trained and experienced.

#### 3. Do not service or attempt to remove product and machinery/equipment until safety is confirmed.

- The inspection and maintenance of machinery/equipment should only be performed after measures to prevent falling or runaway of the driven objects have been confirmed.
- When the product is to be removed, confirm that the safety measures as mentioned above are implemented and the power from any appropriate source is cut, and read and understand the specific product precautions of all relevant products carefully.
- Before machinery/equipment is restarted, take measures to prevent unexpected operation and malfunction.

#### 4. Our products cannot be used beyond their specifications. Our products are not developed, designed, and manufactured to be used under the following conditions or environments. Use under such conditions or environments is not covered.

- Conditions and environments outside of the given specifications, or use outdoors or in a place exposed to direct sunlight.
- Use for nuclear power, railways, aviation, space equipment, ships, vehicles, military application, equipment affecting human life, body, and property, fuel equipment, entertainment equipment, emergency shut-off circuits, press clutches, brake circuits, safety equipment, etc., and use for applications that do not conform to standard specifications such as catalogs and operation manuals.
- Use for interlock circuits, except for use with double interlock such as installing a mechanical protection function in case of failure. Please periodically inspect the product to confirm that the product is operating properly.

### Caution

**We develop, design, and manufacture our products to be used for automatic control equipment, and provide them for peaceful use in manufacturing industries.**

**Use in non-manufacturing industries is not covered.**

Products we manufacture and sell cannot be used for the purpose of transactions or certification specified in the Measurement Act.

The new Measurement Act prohibits use of any unit other than SI units in Japan.

### Limited warranty and Disclaimer/ Compliance Requirements

The product used is subject to the following “Limited warranty and Disclaimer” and “Compliance Requirements”.

Read and accept them before using the product.

#### Limited warranty and Disclaimer

- The warranty period of the product is 1 year in service or 1.5 years after the product is delivered, whichever is first.\*2)  
Also, the product may have specified durability, running distance or replacement parts. Please consult your nearest sales branch.
- For any failure or damage reported within the warranty period which is clearly our responsibility, a replacement product or necessary parts will be provided.  
This limited warranty applies only to our product independently, and not to any other damage incurred due to the failure of the product.
- Prior to using SMC products, please read and understand the warranty terms and disclaimers noted in the specified catalog for the particular products.

\*2) **Vacuum pads are excluded from this 1 year warranty.**

A vacuum pad is a consumable part, so it is warranted for a year after it is delivered.

Also, even within the warranty period, the wear of a product due to the use of the vacuum pad or failure due to the deterioration of rubber material are not covered by the limited warranty.

#### Compliance Requirements

- The use of SMC products with production equipment for the manufacture of weapons of mass destruction (WMD) or any other weapon is strictly prohibited.
- The exports of SMC products or technology from one country to another are governed by the relevant security laws and regulations of the countries involved in the transaction. Prior to the shipment of a SMC product to another country, assure that all local rules governing that export are known and followed.

### Revision History


**Edition B** \* Compatible motor manufacturers have been added.  
\* LEF: The motor parallel type has been added.  
\* LEY63: The motor top mounting and motor parallel types have been added.  
\* The number of pages has been increased from 88 to 108. TW

**Edition C** \* A compatible motor manufacturer has been added. UO

**Edition D** \* LEF: An option without grease applied to the seal band part has been added.  
Auto switches and mounting brackets have been added.  
Positioning pin holes (Body bottom 2 locations) have been added.  
\* LEJ: Normally closed solid state auto switches have been added.  
\* LEY/LEYG: Intermediate strokes have been added to the LEY63.  
Normally closed solid state auto switches have been added.  
\* The number of pages has been increased from 108 to 128. XT

**Edition E** \* A large slider type (LET-X11 series) has been added.  
\* A high precision type slide table (LESYH series) has been added.  
\* The number of pages has been increased from 128 to 224.

CP

 **Safety Instructions** Be sure to read the “Handling Precautions for SMC Products” (M-E03-3) and “Operation Manual” before use.

# SMC Corporation

Akihabara UDX 15F,  
4-14-1, Sotokanda, Chiyoda-ku, Tokyo 101-0021, JAPAN  
Phone: 03-5207-8249 Fax: 03-5298-5362  
<https://www.smcworld.com>  
© 2024 SMC Corporation All Rights Reserved

Specifications are subject to change without prior notice and any obligation on the part of the manufacturer.

D-G