

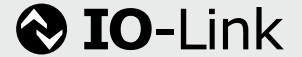
! Contact our sales office for delivery dates and prices as this is a special model.

Specialized Product **P.G.** Point to Group information

# EX600 Series IO-Link Master

## Features

- Modular connection with input/output units or valves is possible.
- CC-Link IE Field compatible
- IP67 compliant

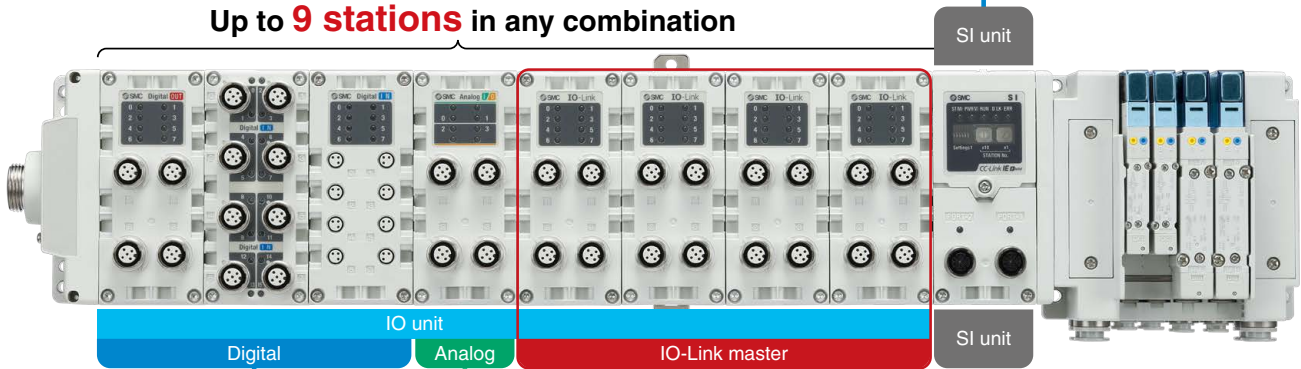


PLC

Fieldbus **CC-Link IE Field**

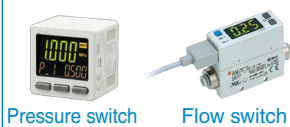


Up to **9 stations** in any combination



## Digital

### Input device



Pressure switch Flow switch



Auto switch

### Output device



Solenoid valve

## Analog

### Input device



Pressure sensor Flow sensor

### Input/Output device



Electro-pneumatic regulator

## IO-Link devices



3-screen display  
High-precision  
digital pressure switch  
ZSE20B(F)-L/ISE20B-L



3-screen display  
High-precision  
digital pressure switch  
ISE7□/7□G



Digital flow switch for water  
PF3W7□-X445



Actuator position sensor  
D-MP



Electro-pneumatic regulator  
ITV-X395



Step motor controller  
JXCL1



**Caution**

To ensure the safest possible operation of this product, please be sure to thoroughly read the "Safety Instructions" in our "Best Pneumatics" catalog before use.

SMC Corporation 4-14-1, SOTO-KANDA, CHIYODA-KU, TOKYO 101-0021, JAPAN URL: <http://www.smcworld.com>

©2018 SMC Corporation All Rights Reserved



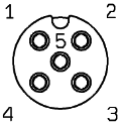
SP175X-032E  
P: WS

Ⓐ

## Specifications

Item		Specifications	
IO-Link	Pin no. 4	IO-Link version	Ver1.1
		IO-Link port type	Class A
		Communication speed	COM1 (4.8 kbps) COM2 (38.4 kbps) COM3 (230.4 kbps) * Automatically identified in accordance with the communication speed of the IO-Link device
		Number of ports	4
		Max. process data size	Input: 32 bytes/Output: 32 bytes (per port)
Digital input	Pin no. 4	Input polarity	PNP
		Rated input current	12 mA
		ON voltage	13 V or more
Digital output	Pin no. 4	OFF voltage	8 V or less
		Output polarity	PNP
		Max. load current	0.25 A/1 output
Digital input	Pin no. 2	Input polarity	PNP
		Rated input current	5 mA
		ON voltage	17 V or more
		OFF voltage	5 V or less
Max. supplied current		0.5 A (Connector)	
Operating temperature range		-10 to 50°C	
Enclosure		IP67 (Manifold assembly)	
Standards		CE marking, RoHS compliant	
Weight		320 g	

### Connector Pin No.

M12 5-pin socket													
	<table border="1"> <thead> <tr> <th>Pin no.</th> <th>Function</th> </tr> </thead> <tbody> <tr> <td>1</td> <td>24 V (For control/input)</td> </tr> <tr> <td>2</td> <td>DI (Digital input)</td> </tr> <tr> <td>3</td> <td>0 V (For control/input)</td> </tr> <tr> <td>4</td> <td>C/Q*1</td> </tr> <tr> <td>5</td> <td>Not used</td> </tr> </tbody> </table>	Pin no.	Function	1	24 V (For control/input)	2	DI (Digital input)	3	0 V (For control/input)	4	C/Q*1	5	Not used
Pin no.	Function												
1	24 V (For control/input)												
2	DI (Digital input)												
3	0 V (For control/input)												
4	C/Q*1												
5	Not used												
*1 Can be switched to IO-Link, digital input, or digital output via parameter													

### How to Order

# EX600 - GIL B - X60

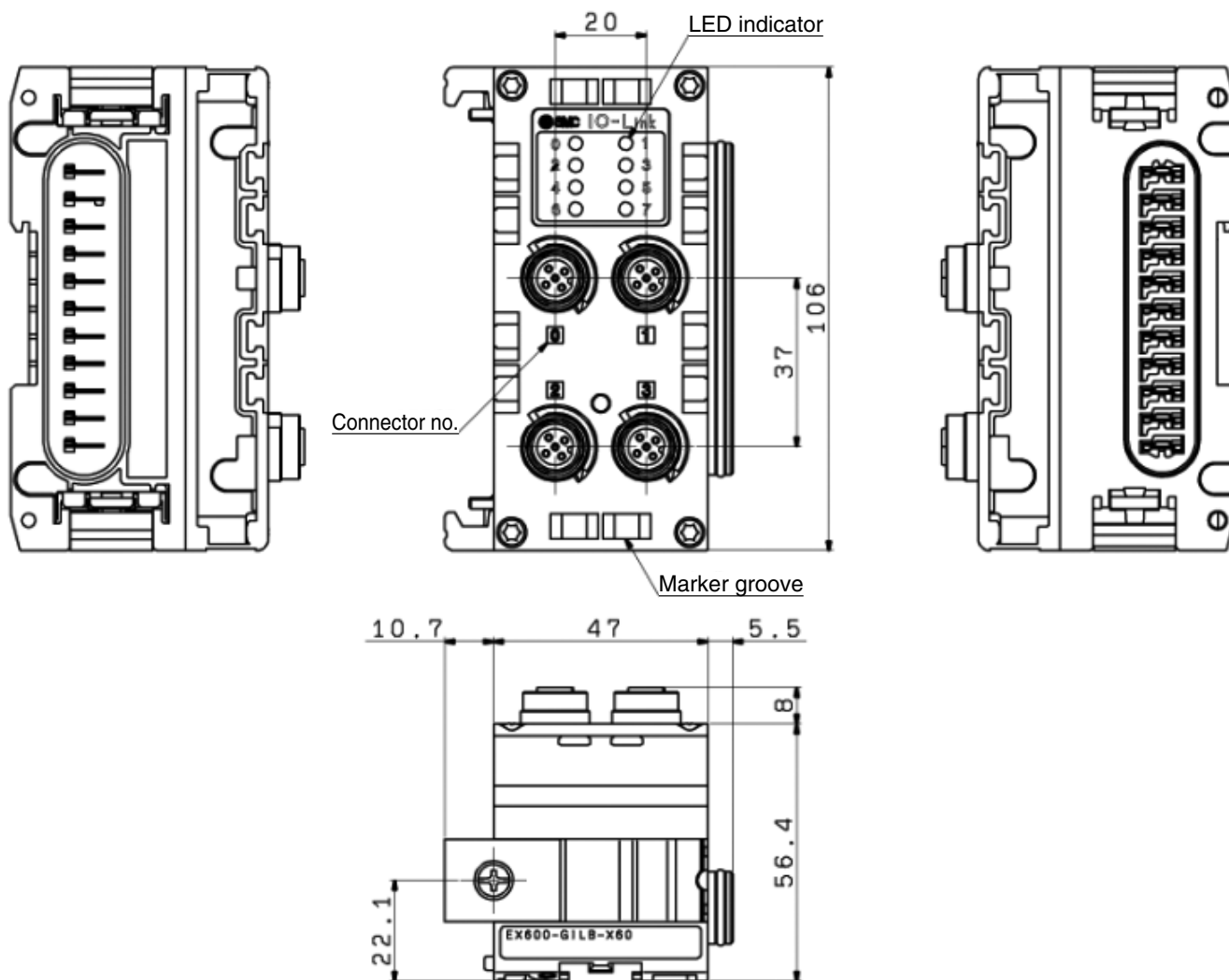
IO-Link Master

Number of ports

<b>B</b>	4 ports
----------	---------

**Dimensions**

[mm]



**⚠ Caution**

The EX600 series IO-Link master can only be connected to SI units for CC-Link IE Field, EX600-SCF1-X60. It is not compatible with other EX600 SI units.