

ATEX Compliant Air operated type



Threaded Type Series 55-LVA

CE
55-LVA10 and 55-LVA12 II2G Ex h IIB T5..T4 Gb 0°C ≤ Ta ≤ +60°C
55-LVA2□, 55-LVA3□, 55-LVA4□, 55-LVA5□, 55-LVA6□ and 55-LVA200 II2G Ex h IIB T5..T4 Gb II2D Ex h IIB T85..T125°C Db 0°C ≤ Ta ≤ +60°C

How to Order Valves (Single Type)

Note) The manifold type is not available with ATEX certification

55-LVA 2 0 - 02 - A

ATEX category 2

Body class

Symbol	Body class	Orifice dia.
1	1	ø2
2	2	ø4
3	3	ø8
4	4	ø12
5	5	ø20
6	6	ø22

Valve type

0	N.C.
1	N.O.
2	Double acting

Note) Refer to "Series Variations" in the table below for valve type combinations.

Port size

Symbol	Port size	Body class
01	1/8	1
02	1/4	
01	1/8	2
02	1/4	
02	1/4	3
03	3/8	
03	3/8	4
04	1/2	
04	1/2	5
06	3/4	
10	1	6

Thread type

Symbol	Thread type
Nil	Rc
N	NPT
F	G

Options

Nil	None
1	With flow rate adjustment
2	With bypass (PFA body only)
3	With flow rate adjustment & bypass (PFA body only)
4	With indicator

Note) Refer to "Variations" in the table below for option combinations. Options can not be combined each other.

Material

Symbol	Body	Actuator section		Diaphragm	Applicable option				Note
		End plate	PPS		1	2	3	4	
A	SUS	PPS	—	PTFE	●			●	—
B	PPS	PPS	—	PTFE	●			●	55-LVA10 to 40
C	PFA	PPS	—	PTFE	●	●	●	●	55-LVA10 to 40
D	SUS	PPS	—	NBR	●			●	55-LVA10 to 50
E	SUS	PPS	—	EPR	●			●	55-LVA10 to 50
F ^{Note)}	PFA	PVDF	—	PTFE					Hydrofluoric acid compatible Only 55-LVA40
G	PPS	PPS	—	NBR	●			●	55-LVA10 to 40
H	PPS	PPS	—	EPR	●			●	55-LVA10 to 40
N	PFA	PPS	—	PTFE	●	●	●	●	Ammonium hydroxide compatible 55-LVA10 to 40

Note) When material symbol "F" is selected, the thread type symbol "F" cannot be selected.

Series Variations

Type	Symbol	Model	Orifice dia.												
			ø2		ø4		ø8		ø12		ø20		ø22		
			1/8	1/4	1/8	1/4	1/4	3/8	3/8	1/2	1/2	3/4	1		
			Port size		Body material (Note)		Valve type								
			SUS316		PPS		PFA								
			N.C.		N.O.		Double acting								
Basic			N.C.		N.O.		Double acting								
With flow rate adjustment			N.C.		N.O.		Double acting								
With by-pass			N.C.		N.O.		Double acting								
Body material Only PFA			N.C.		N.O.		Double acting								
With flow rate adjustment & by-pass			N.C.		N.O.		Double acting								
Body material Only PFA			N.C.		N.O.		Double acting								
With indicator			N.C.		N.O.		Double acting								

Note) Refer to the "Material" table for the applicable optional body materials.

All other specifications are the same as the standard products Series LVA.
[Click here](#) for details.

ATEX Compliant Air operated type



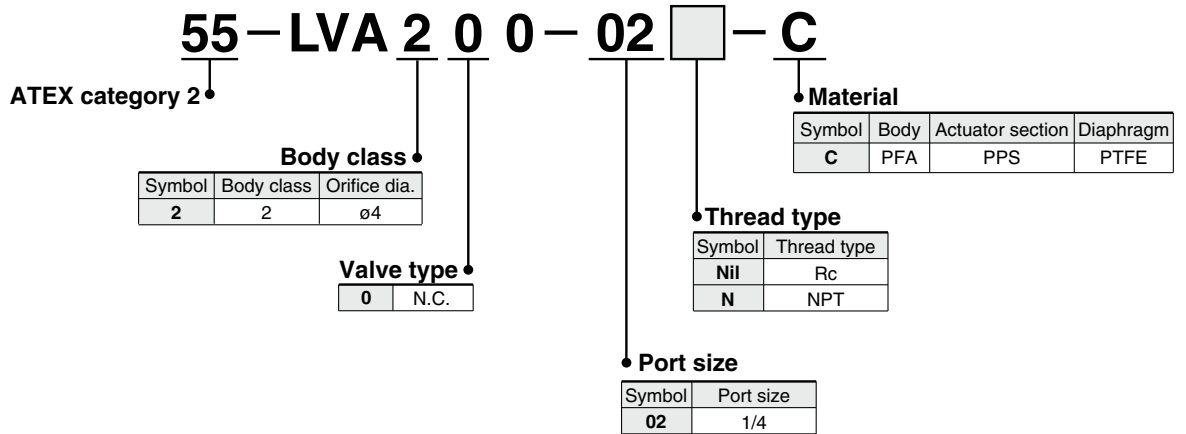
Threaded Type

Series 55-LVA

CE
55-LVA10 and 55-LVA12 II2G Ex h IIB T5..T4 Gb 0°C ≤ Ta ≤ +60°C
55-LVA2□, 55-LVA3□, 55-LVA4□, 55-LVA5□, 55-LVA6□ and 55-LVA200 II2G Ex h IIB T5..T4 Gb II2D Ex h IIB T85..T125°C Db 0°C ≤ Ta ≤ +60°C

Note) The manifold type is not available with ATEX certification

How to Order Valves



All other specifications are the same as the standard products Series LVA. [Click here](#) for details.